



US00D828112S

(12) **United States Design Patent**
Furneau et al.

(10) **Patent No.:** **US D828,112 S**
(45) **Date of Patent:** **** Sep. 11, 2018**

- (54) **ROLL TOP BACKPACK COOLER**
- (71) Applicant: **Sovaro Coolers, LLC**, Roswell, GA (US)
- (72) Inventors: **Todd McLean Furneau**, Roswell, GA (US); **Michael Thuma**, La Grange, IL (US); **Michael R. Vogler**, Oswego, IL (US); **Robert G. Kopp**, Elburn, IL (US)
- (73) Assignee: **Sovaro Coolers, LLC**, Roswell, GA (US)

D382,771 S *	8/1997	Mogil	D7/607
D382,772 S *	8/1997	Mogil	D7/607
D387,249 S *	12/1997	Mogil	D7/607
6,427,475 B1 *	8/2002	DeFelice	F25D 3/08
				62/457.2
D478,782 S *	8/2003	Li	D7/607
D762,384 S *	8/2016	Boroski	D3/283
D766,571 S *	9/2016	Boroski	D3/232
D779,824 S *	2/2017	Boroski	D3/283
D791,680 S *	7/2017	Chin	D12/409
2008/0121630 A1 *	5/2008	Simard	A45C 11/20
				219/387
2009/0294455 A1 *	12/2009	Pruchnicki	A45C 11/20
				220/592.2

(Continued)

(**) Term: **15 Years**

Primary Examiner — Terry A Wallace

(21) Appl. No.: **29/596,047**

(74) *Attorney, Agent, or Firm* — McHale & Slavin, P.A.

(22) Filed: **Mar. 3, 2017**

(51) **LOC (11) Cl.** **07-01**

(52) **U.S. Cl.**

USPC **D7/607**; D3/216

(58) **Field of Classification Search**

USPC D7/603–608, 709; D3/216, 273, 274, D3/276, 279, 282, 284, 289, 901, 902

CPC B65D 81/3813; B65D 81/3823; B65D 81/3888; B65D 81/3816; A45C 3/00; A45C 11/20; A45C 7/0077; F25B 19/00; A45J 47/145; A45F 3/04; A45F 3/042; F25D 3/08; F25D 3/14; F25D 2331/804; A47J 41/022; A47G 19/2288

See application file for complete search history.

(56) **References Cited**

U.S. PATENT DOCUMENTS

4,537,313 A *	8/1985	Workman	A47J 47/145
				206/545
4,805,776 A *	2/1989	Namgyal	A45C 3/00
				206/523
D340,840 S *	11/1993	Melk	D3/283

(57) **CLAIM**

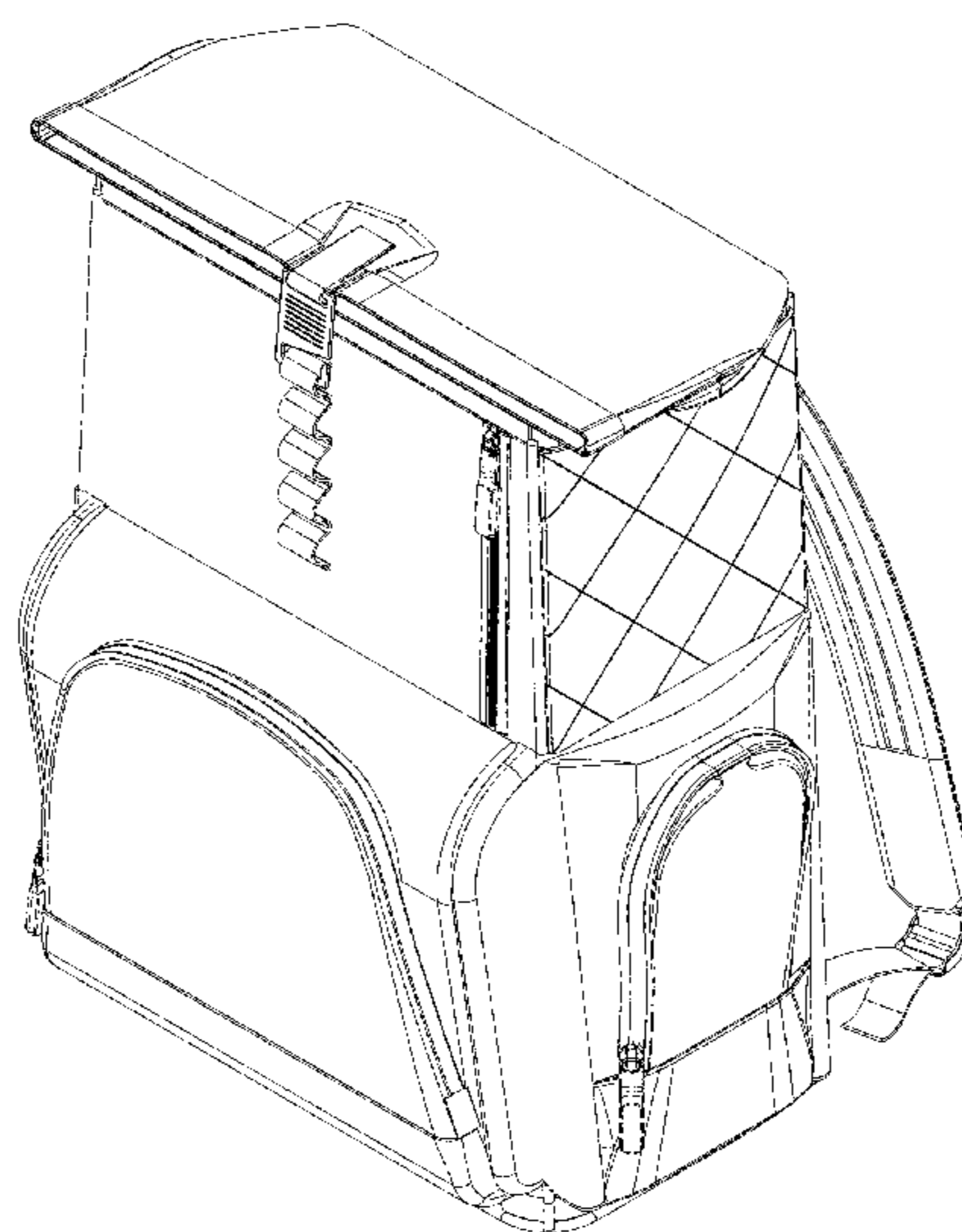
The ornamental design for a roll top backpack cooler, as shown and described.

DESCRIPTION

FIG. 1 is a front right isometric view of the roll top backpack cooler of the present invention;
 FIG. 2 is a right side view thereof;
 FIG. 3 is a left side view thereof;
 FIG. 4 is a front view thereof;
 FIG. 5 is a rear view thereof;
 FIG. 6 is a top view thereof;
 FIG. 7 is a bottom view thereof;
 FIG. 8 is a right rear bottom isometric view thereof;
 FIG. 9 is a top front right isometric view thereof illustrating the roll top backpack cooler in an open position; and,
 FIG. 10 is a top rear left isometric view thereof illustrating the roll top backpack cooler in an open position.

The portions of the roll top backpack cooler illustrated in broken lines form no part of the claim for the roll top backpack cooler.

1 Claim, 10 Drawing Sheets



(56)

References Cited

U.S. PATENT DOCUMENTS

2016/0101924 A1* 4/2016 Mitchell A45C 7/0077
220/592.2

* cited by examiner

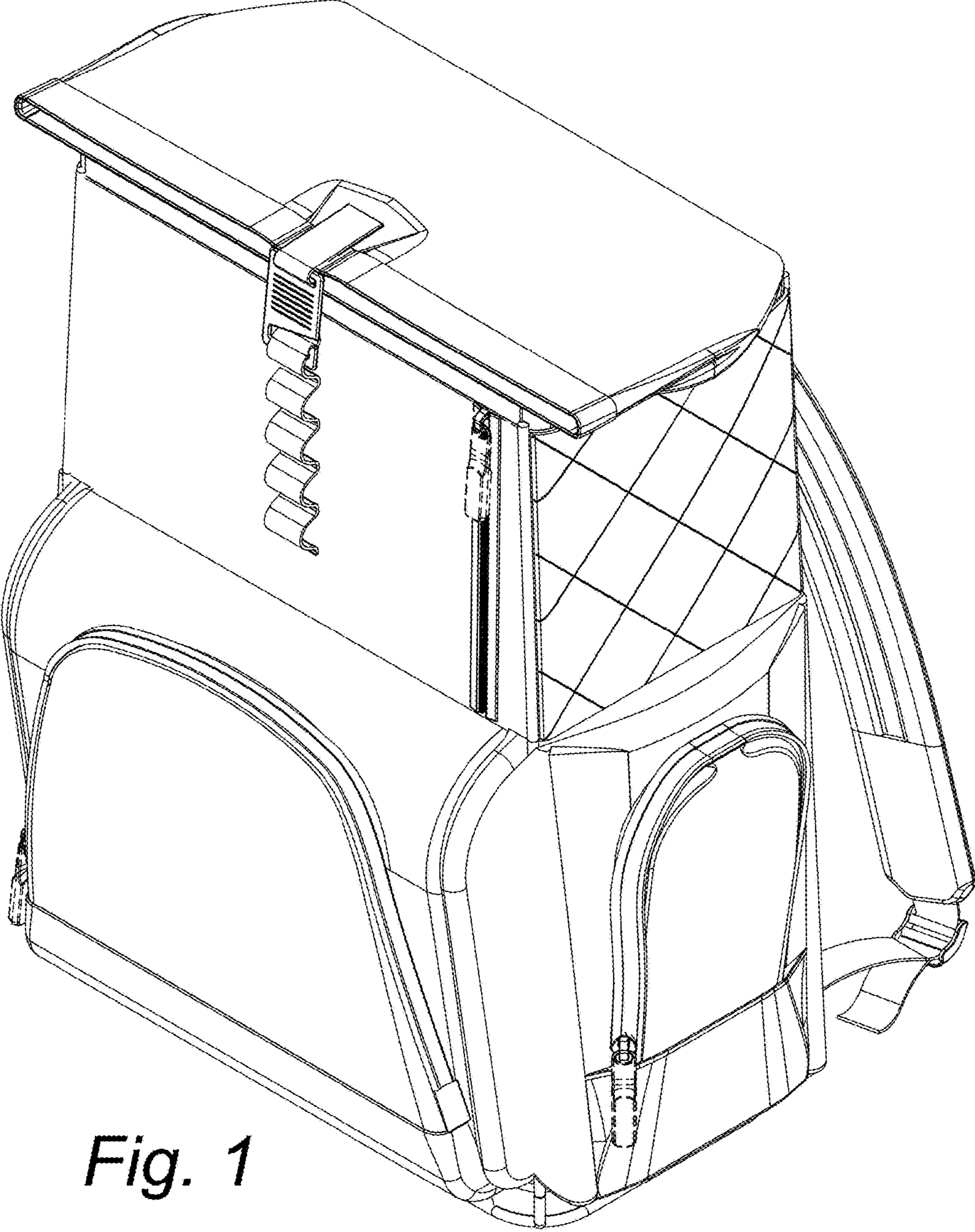


Fig. 1

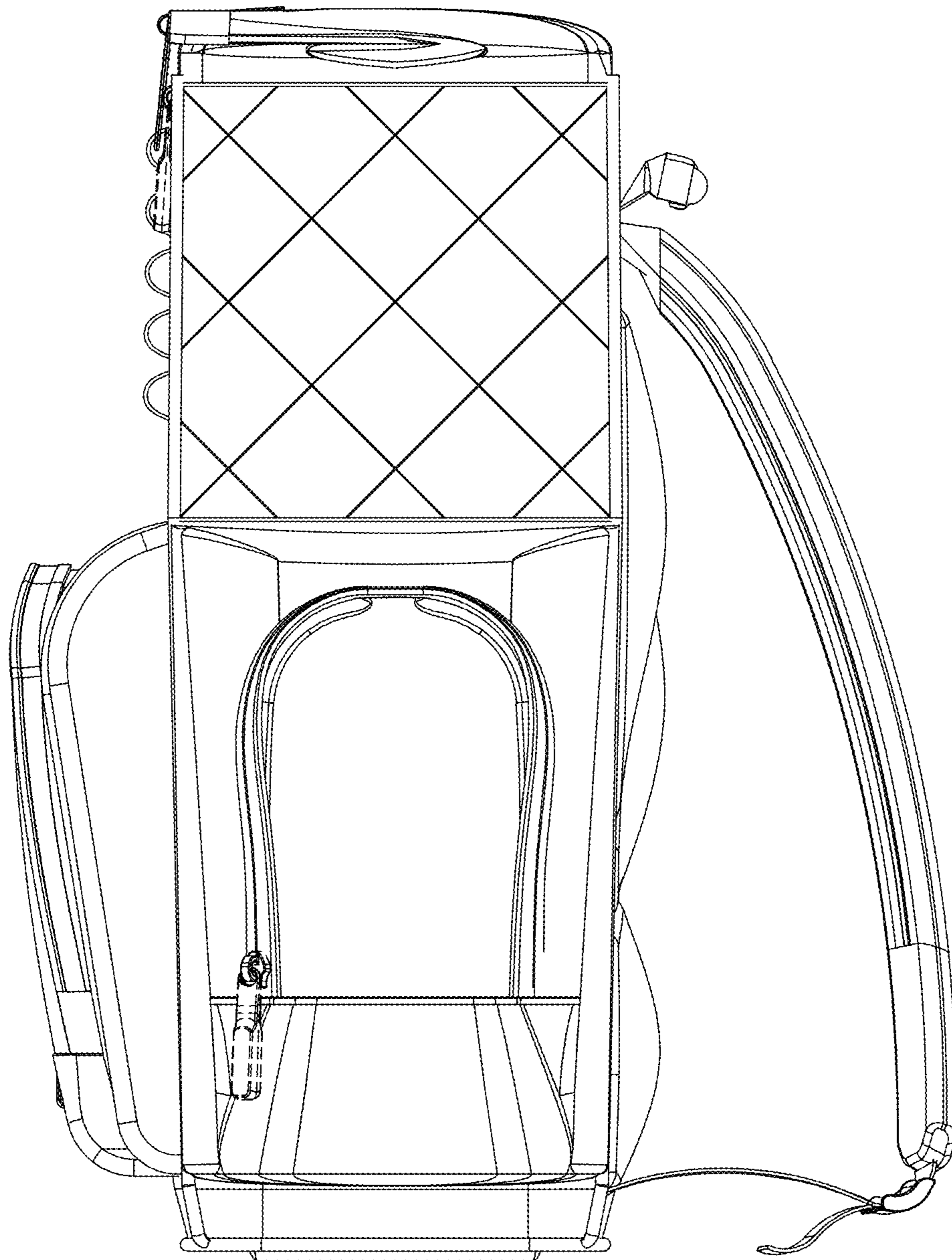


Fig. 2

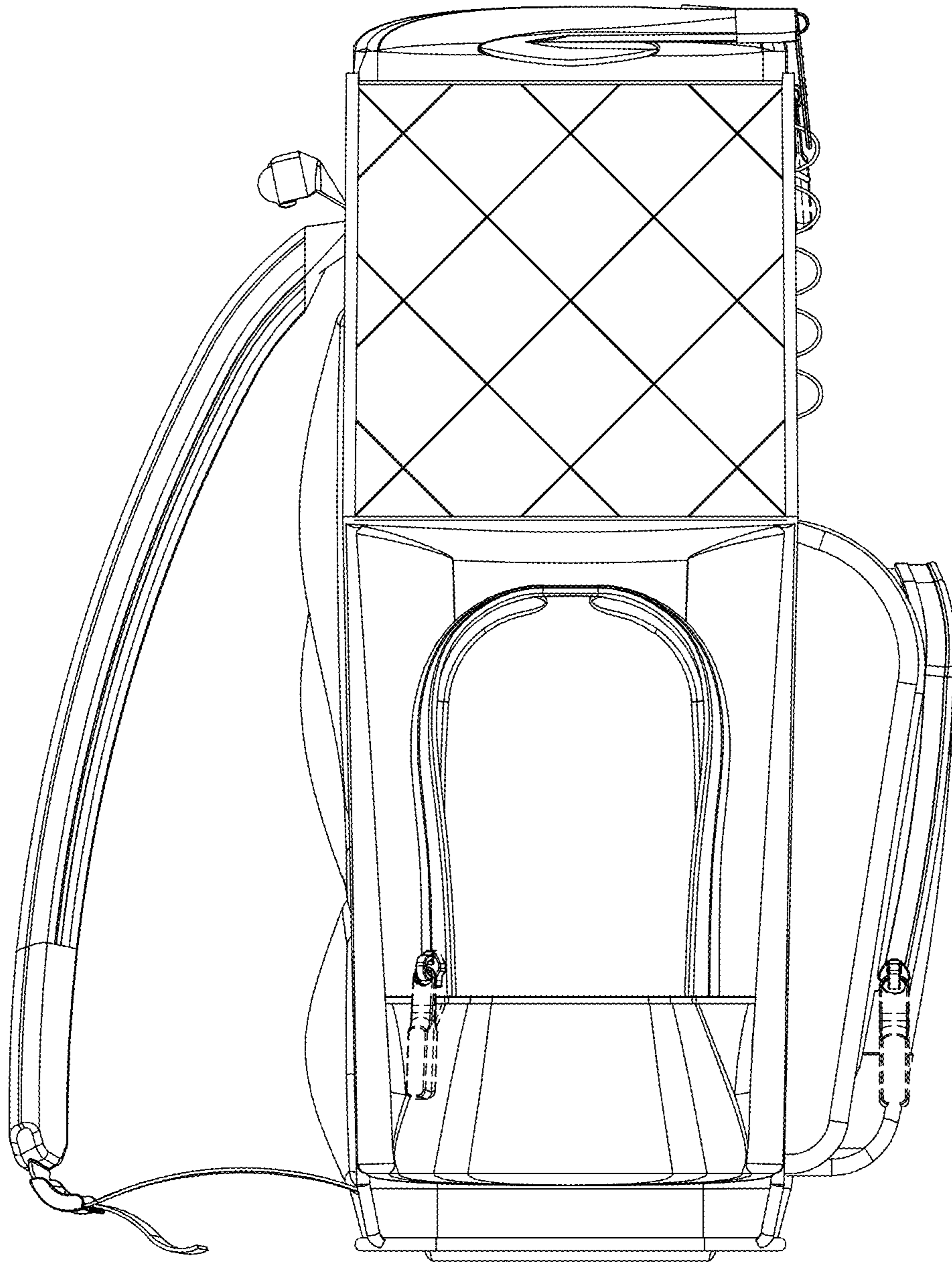


Fig. 3

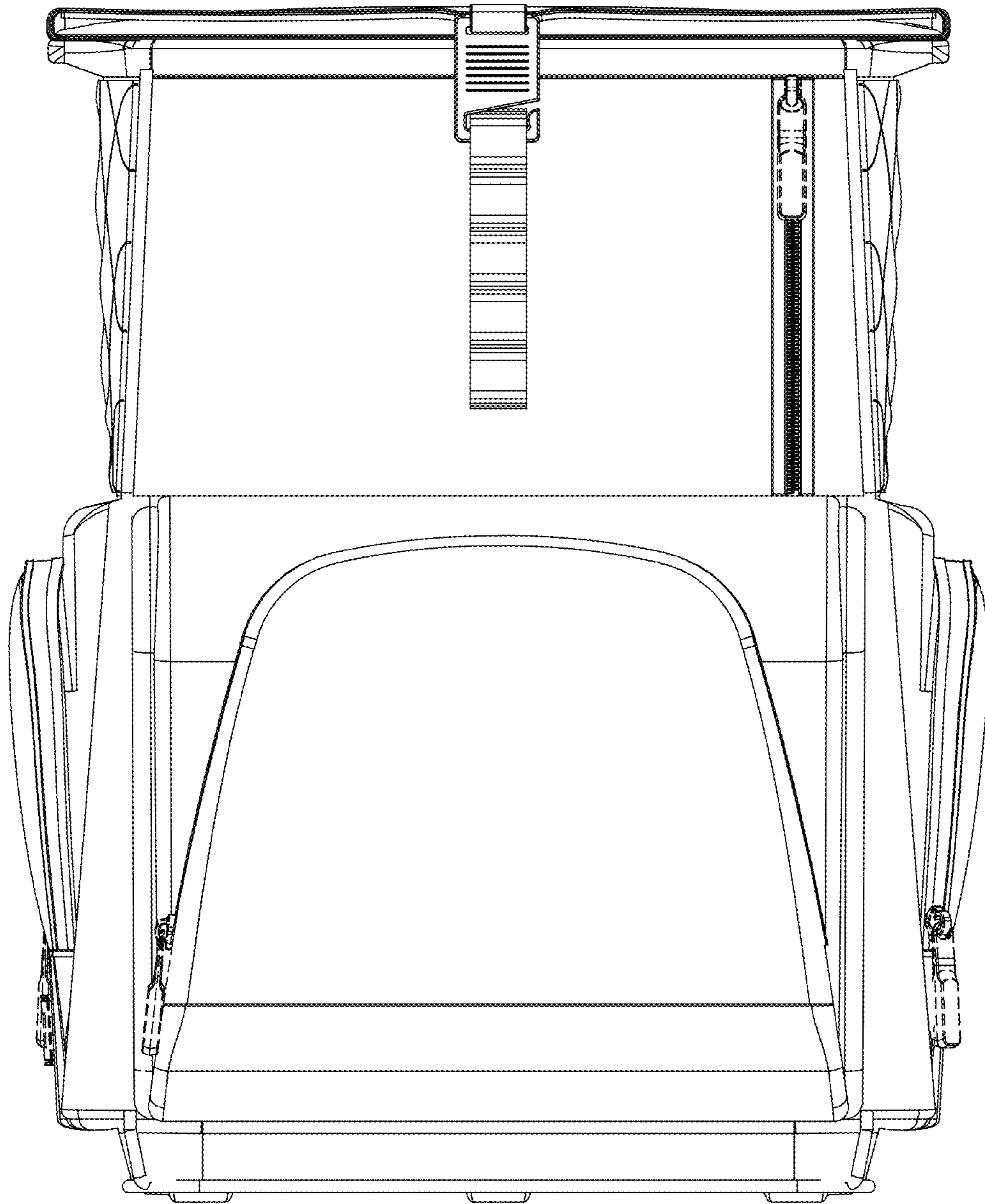


Fig. 4

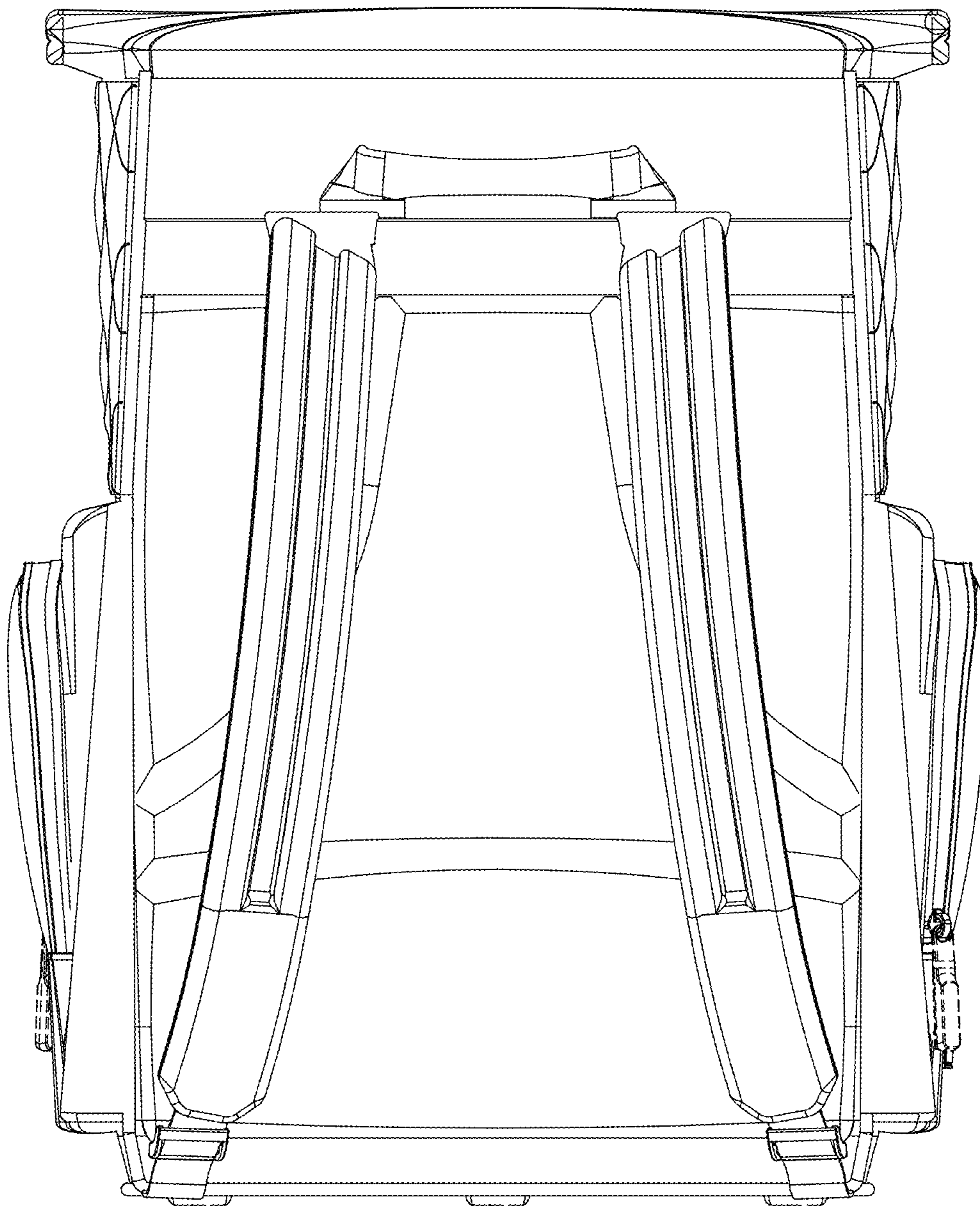


Fig. 5

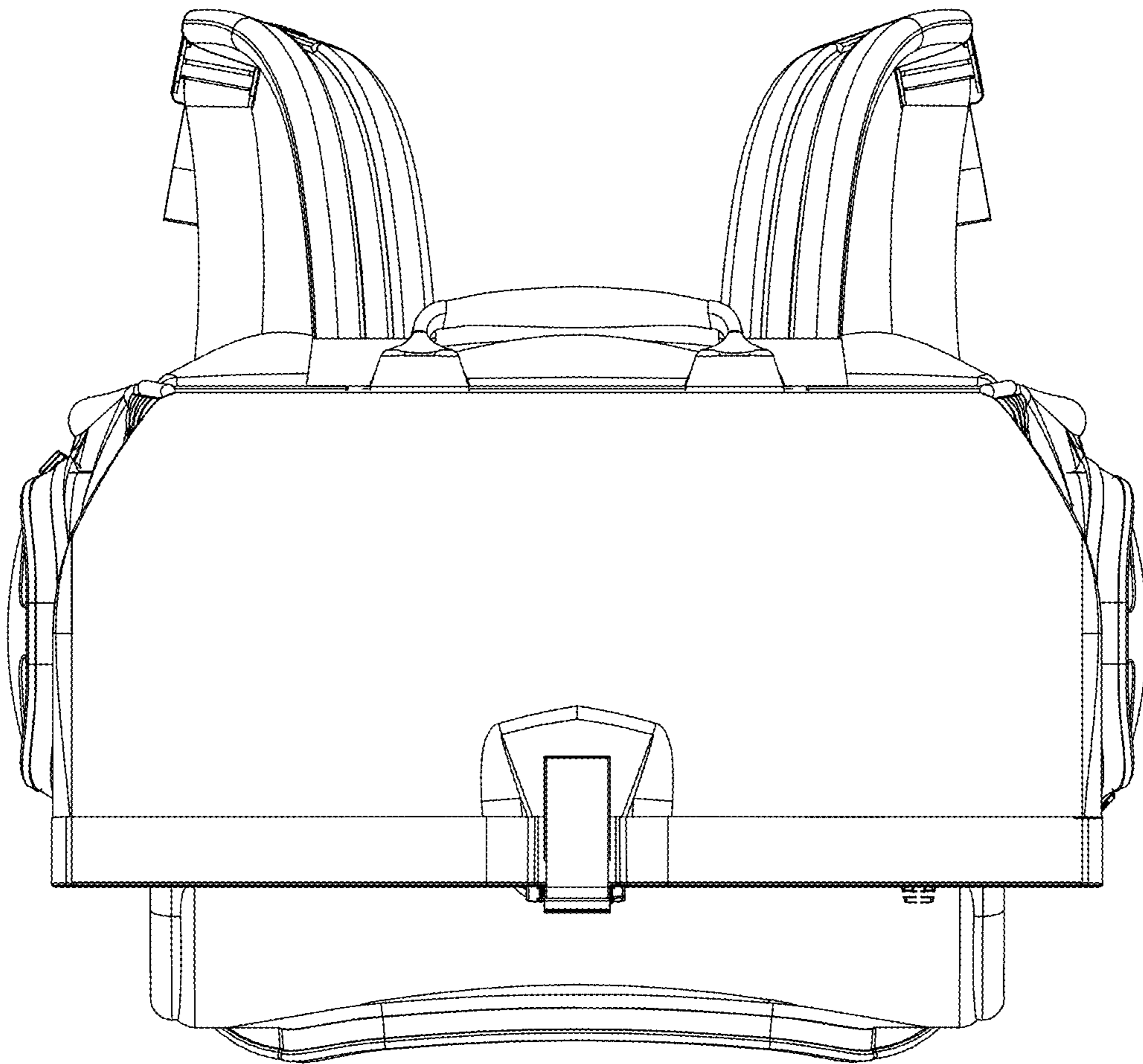


Fig. 6

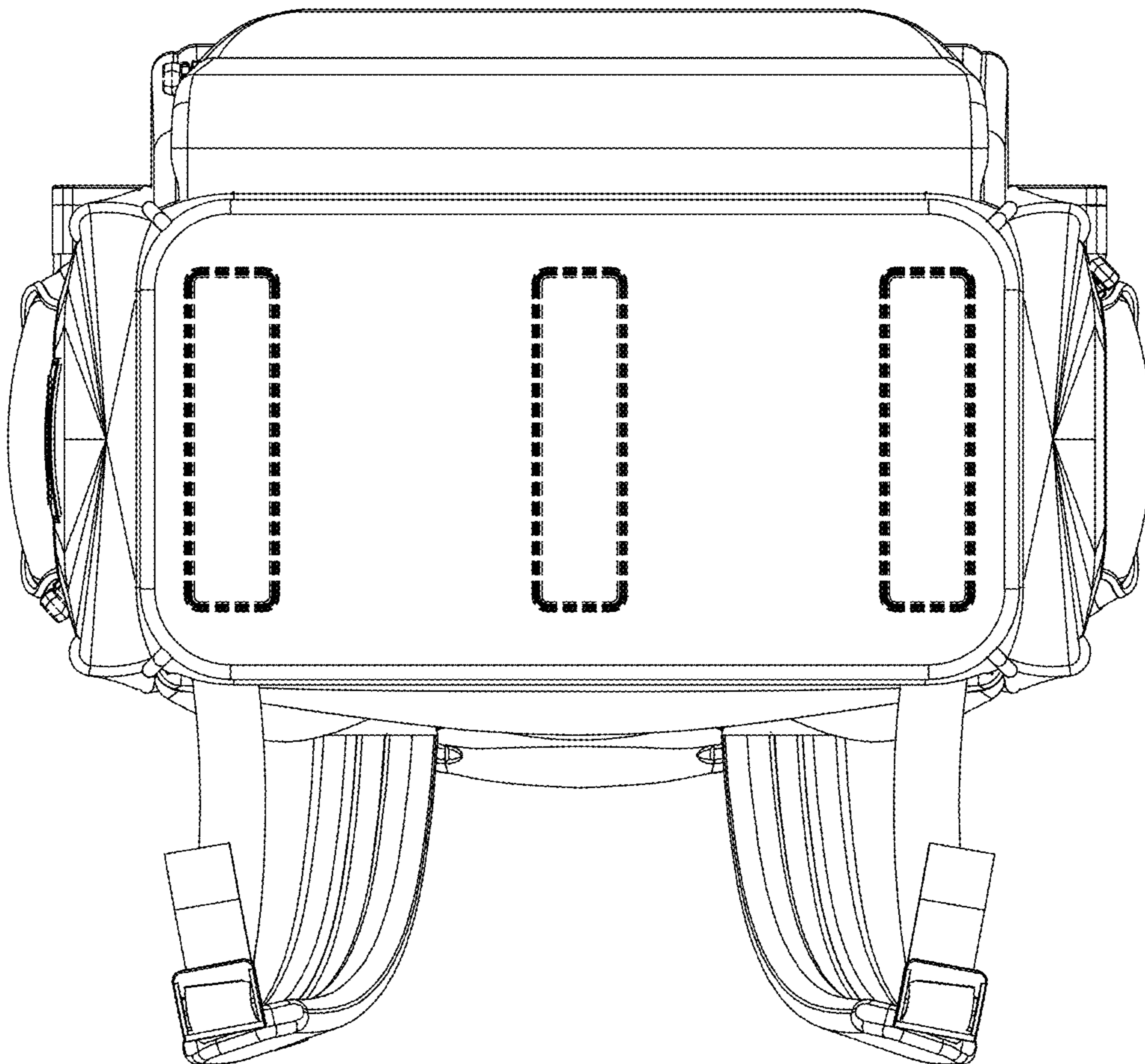


Fig. 7

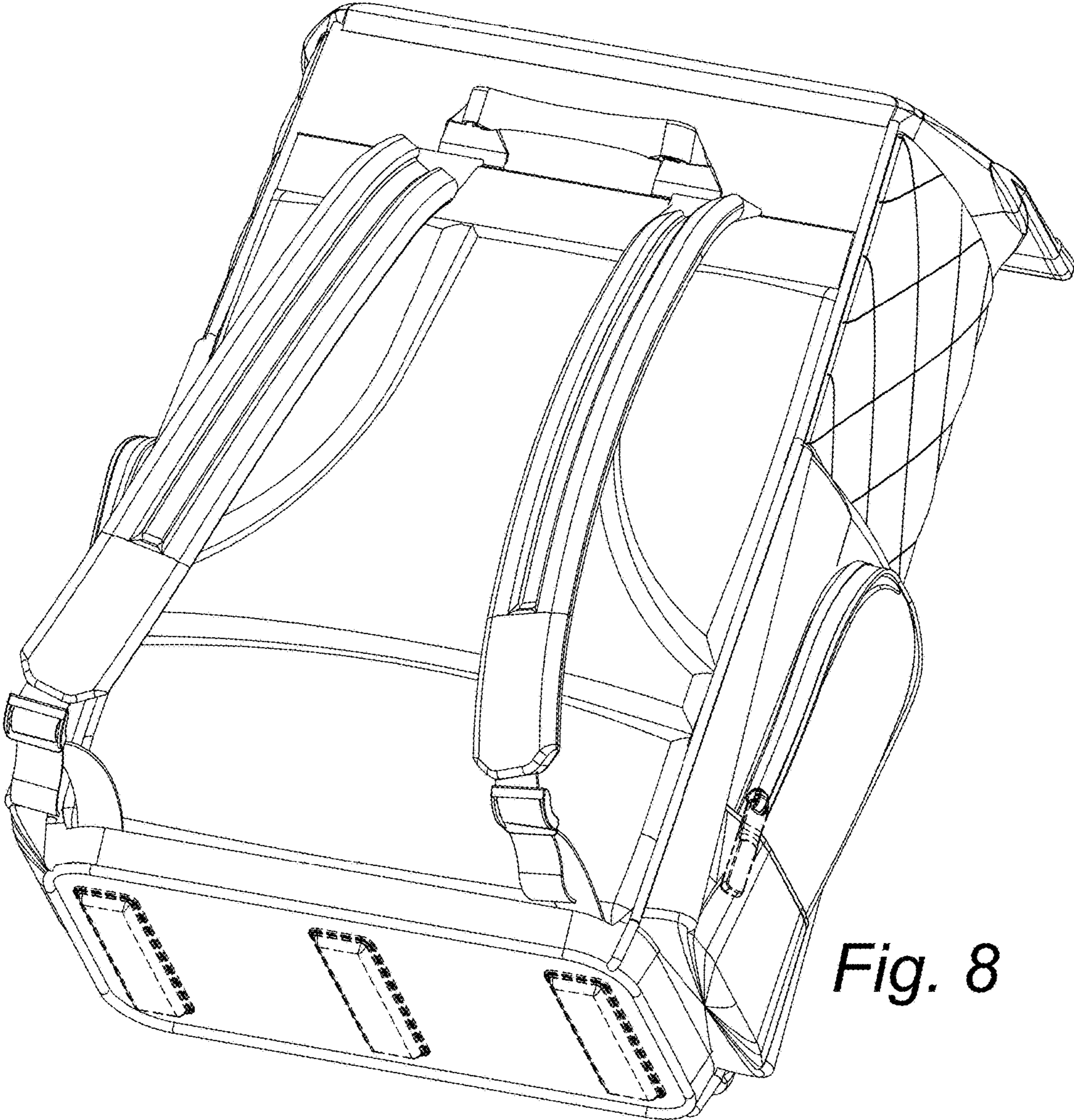


Fig. 8

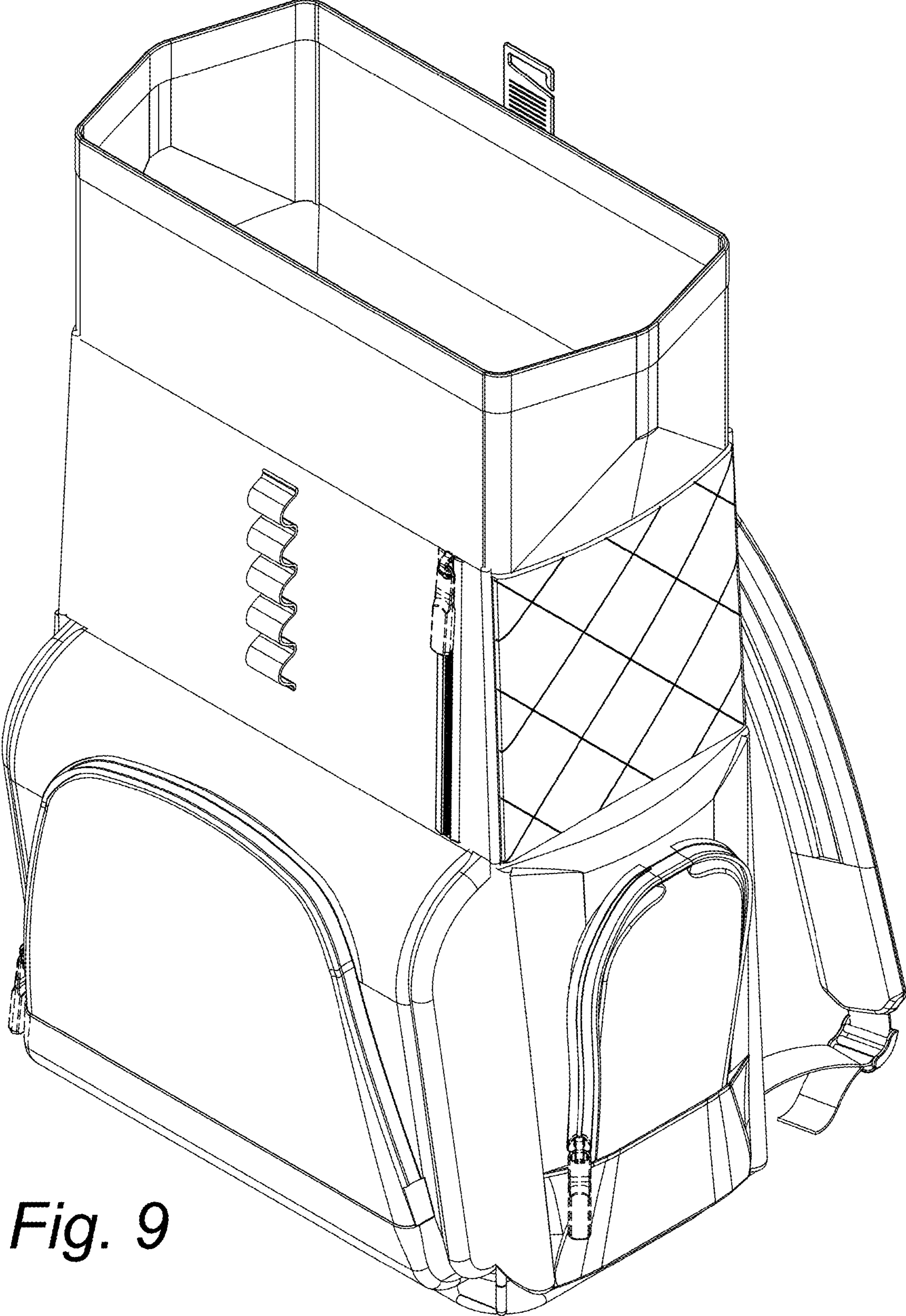


Fig. 9

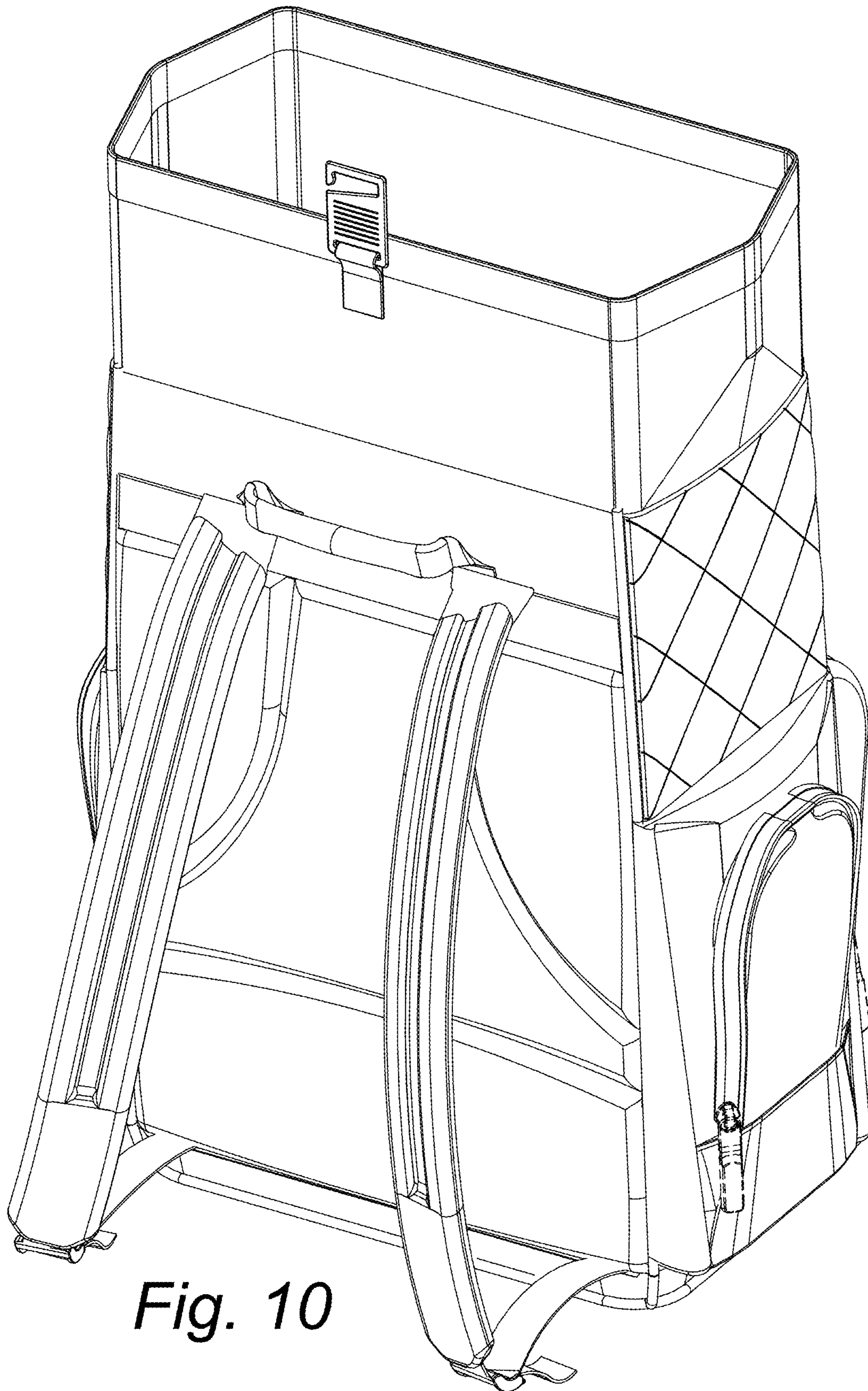


Fig. 10