



US00D828110S

(12) **United States Design Patent** (10) **Patent No.:** **US D828,110 S**
Diamond (45) **Date of Patent:** **** Sep. 11, 2018**

(54) **COOLER**

2003/0168371 A1* 9/2003 Weimer A45C 11/20
206/457

(71) Applicant: **Sunnie E. Diamond**, Atlanta, GA (US)

* cited by examiner

(72) Inventor: **Sunnie E. Diamond**, Atlanta, GA (US)

Primary Examiner — Terry A Wallace

(**) Term: **15 Years**

(57) **CLAIM**

The ornamental design for a cooler, as shown and described.

DESCRIPTION

(21) Appl. No.: **29/620,755**

FIG. 1 is a left side and front elevated view of an cooler with extended handle in and wheels showing my newly design cooler;

(22) Filed: **May 23, 2017**

FIG. 2 is a right side elevated and bottom view with extended handle in and wheels thereof;

(51) **LOC (11) Cl.** **07-01**

FIG. 3 is a back-rear view with extended handle in and wheels thereof;

(52) **U.S. Cl.**

USPC **D7/606**

FIG. 4 is a left-side view with extended handle in and wheels thereof;

(58) **Field of Classification Search**

USPC D7/603–608, 628, 709, 625, 619.2, 514, D7/515

FIG. 5 is a back-rear view with extended handle in and wheels thereof;

CPC ... A45C 11/20; F25D 3/08; F25D 3/14; F25D 2331/804; B65D 81/3823; B65D 81/3886

FIG. 6 is top plan view with extended handle in and wheels thereof

See application file for complete search history.

FIG. 7 is a bottom view with extended handle in and wheels thereof;

(56) **References Cited**

U.S. PATENT DOCUMENTS

D231,523 S *	4/1974	Baker	D12/16
D232,011 S *	7/1974	Denton	D29/106
4,566,292 A *	1/1986	Parmet	F25D 3/08 215/286
D314,492 S *	2/1991	Weller	D7/604
D349,216 S *	8/1994	Steinfels, III	D7/623
D349,630 S *	8/1994	Redmon	D7/606
D352,211 S *	11/1994	Rucks	D7/606
D369,529 S *	5/1996	Blankenburg	D29/106
D379,904 S *	6/1997	Joyce	D3/271.4
D434,607 S *	12/2000	Hansen	D7/606
D503,311 S *	3/2005	Strobel	D7/604
D521,322 S *	5/2006	Loving	D7/606
D524,115 S *	7/2006	Meyer	D7/604
D599,625 S *	9/2009	Lessells	D7/606
D613,128 S *	4/2010	Blakeman	D7/606
D685,228 S *	7/2013	Daugherty	D7/606

FIG. 8 is a left side and front elevated view of an cooler with extended handle out and wheels showing my newly design cooler;

FIG. 9 is a right side elevated and bottom view with extended handle out and wheels thereof;

FIG. 10 is a back-rear view with extended handle out and wheels thereof;

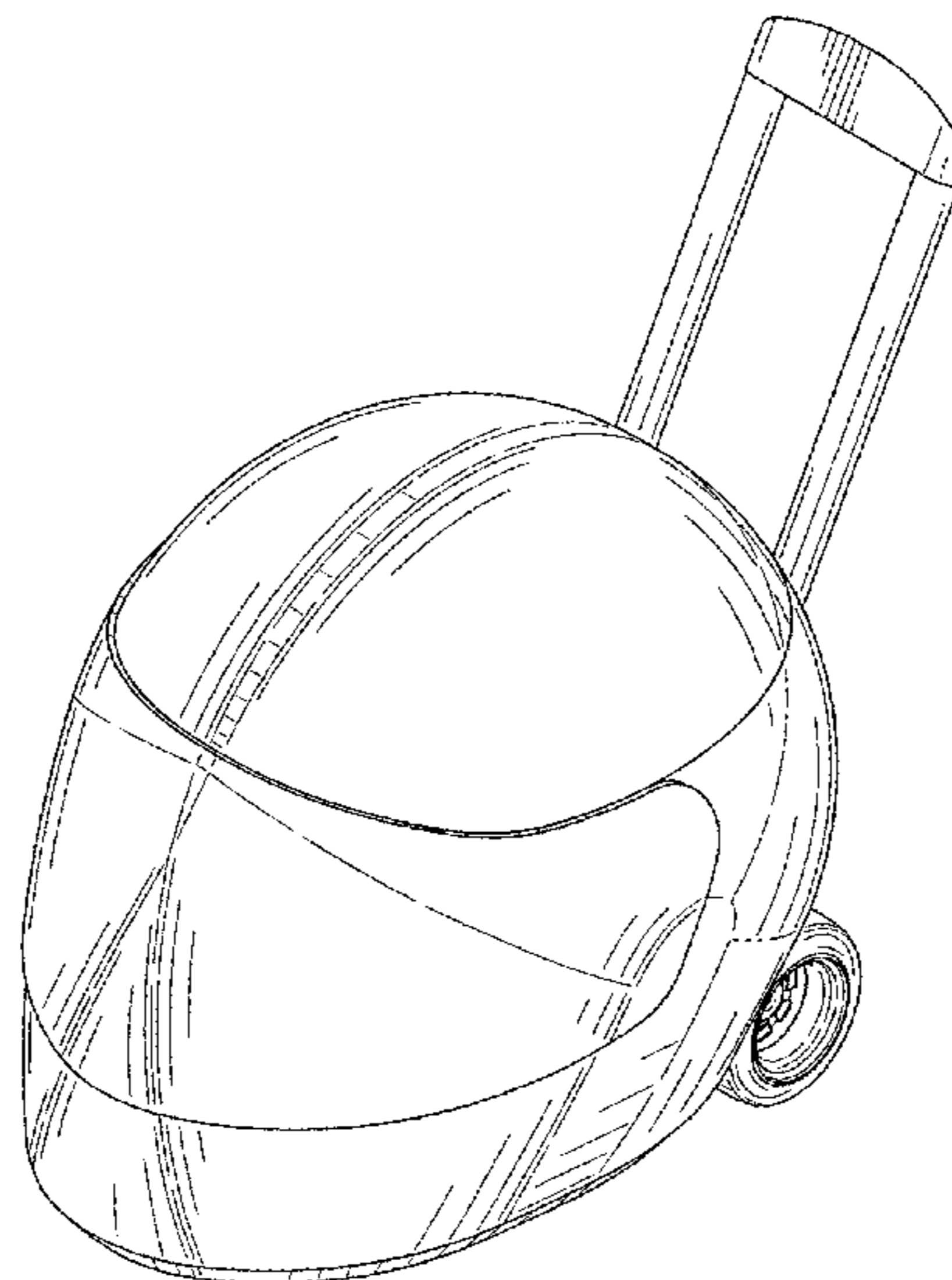
FIG. 11 is a left-side view with extended handle out and wheels thereof;

FIG. 12 is a back-rear view with extended handle out and wheels thereof;

FIG. 13 is top plan view with extended handle out and wheels thereof; and,

FIG. 14 is a bottom view with extended handle out and wheels thereof.

1 Claim, 14 Drawing Sheets



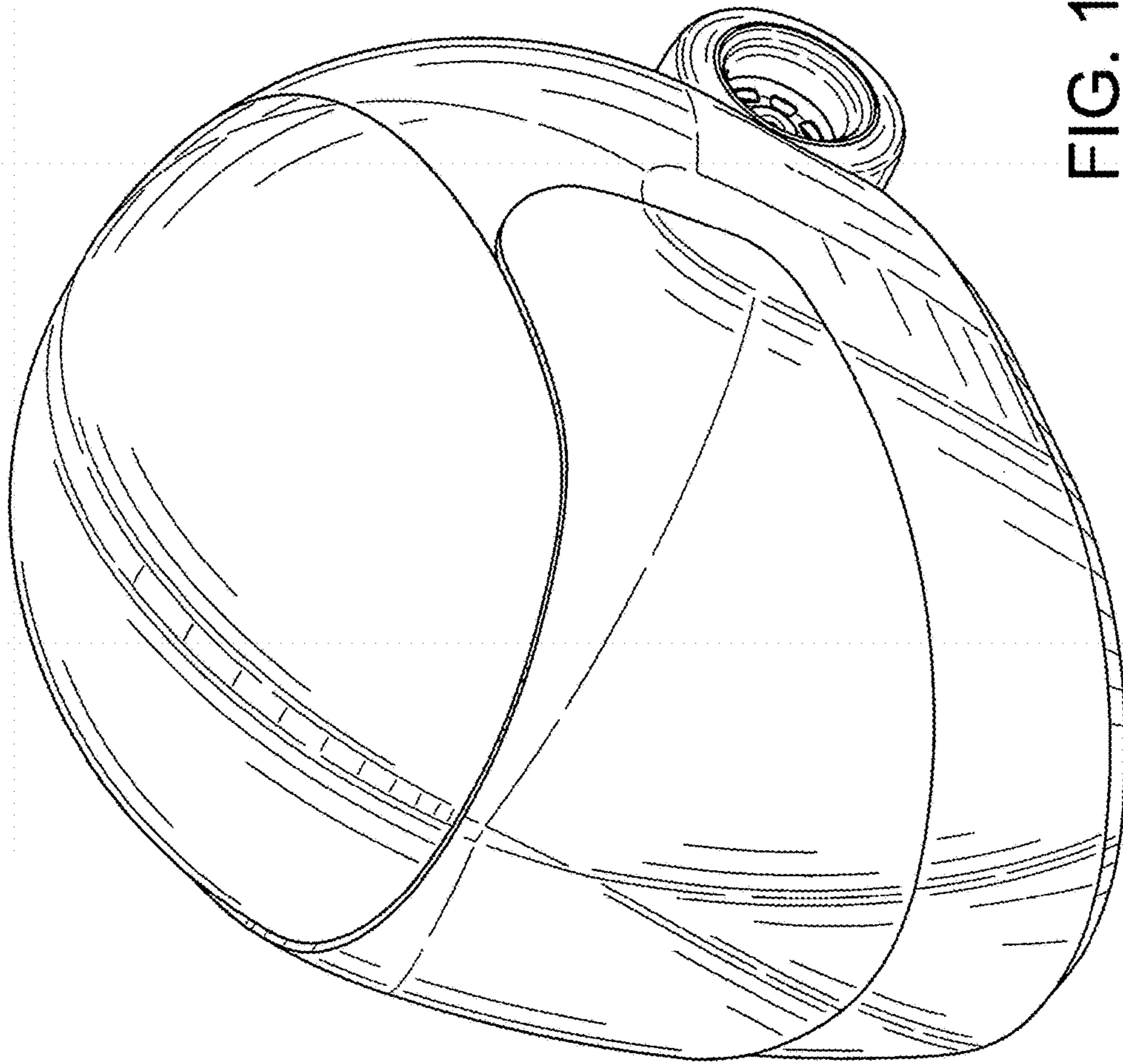


FIG. 1

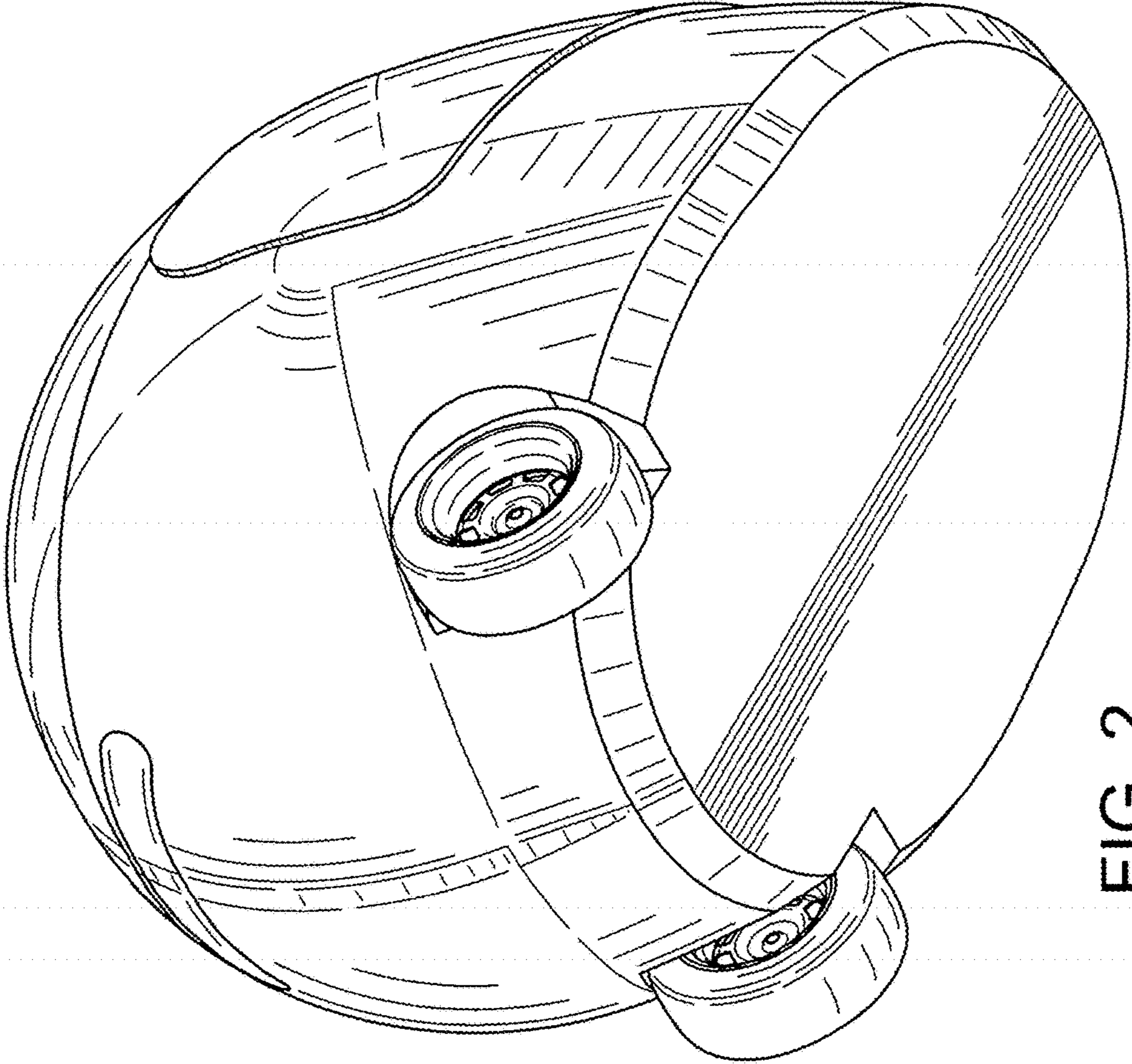


FIG. 2

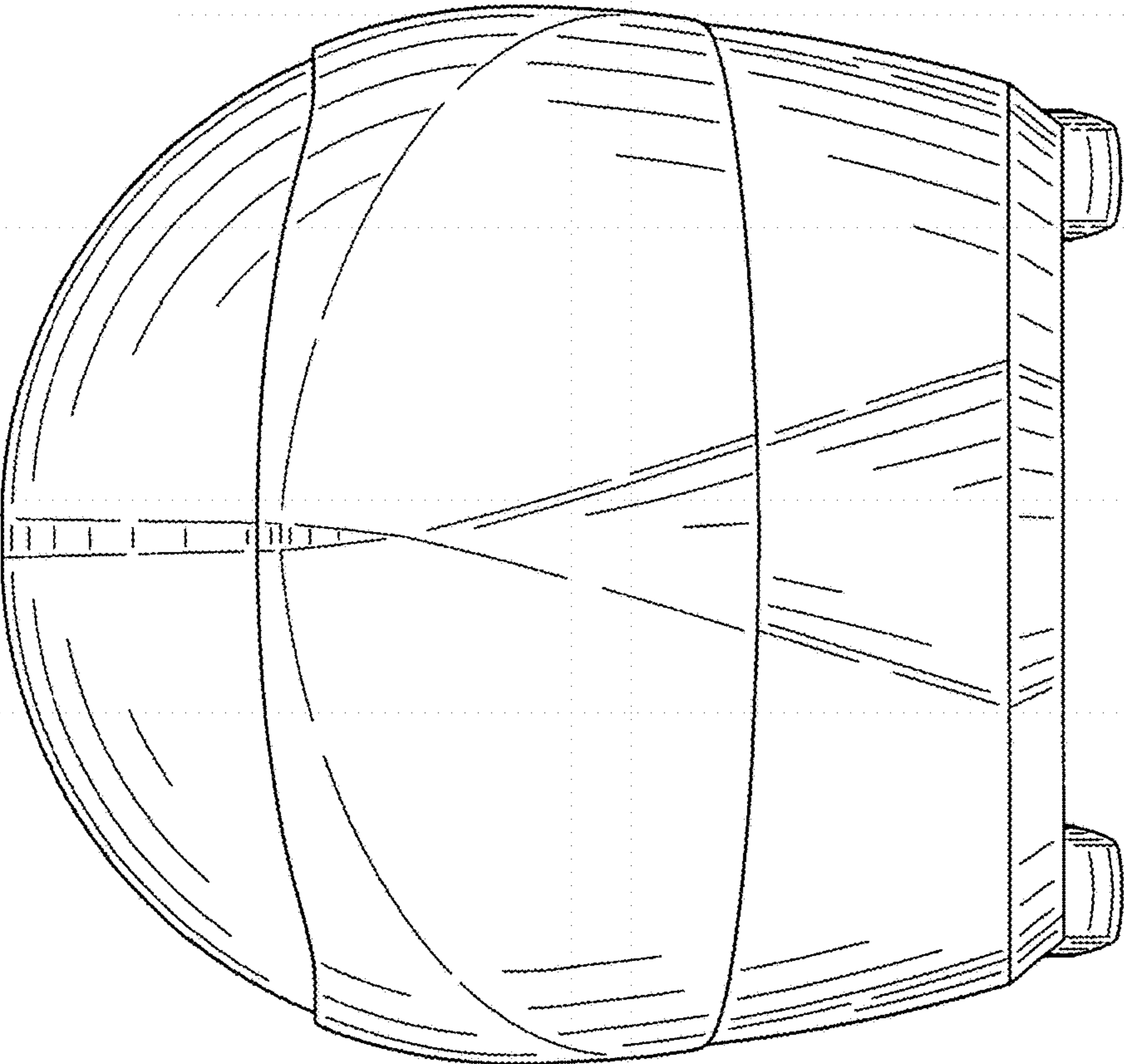


FIG. 3

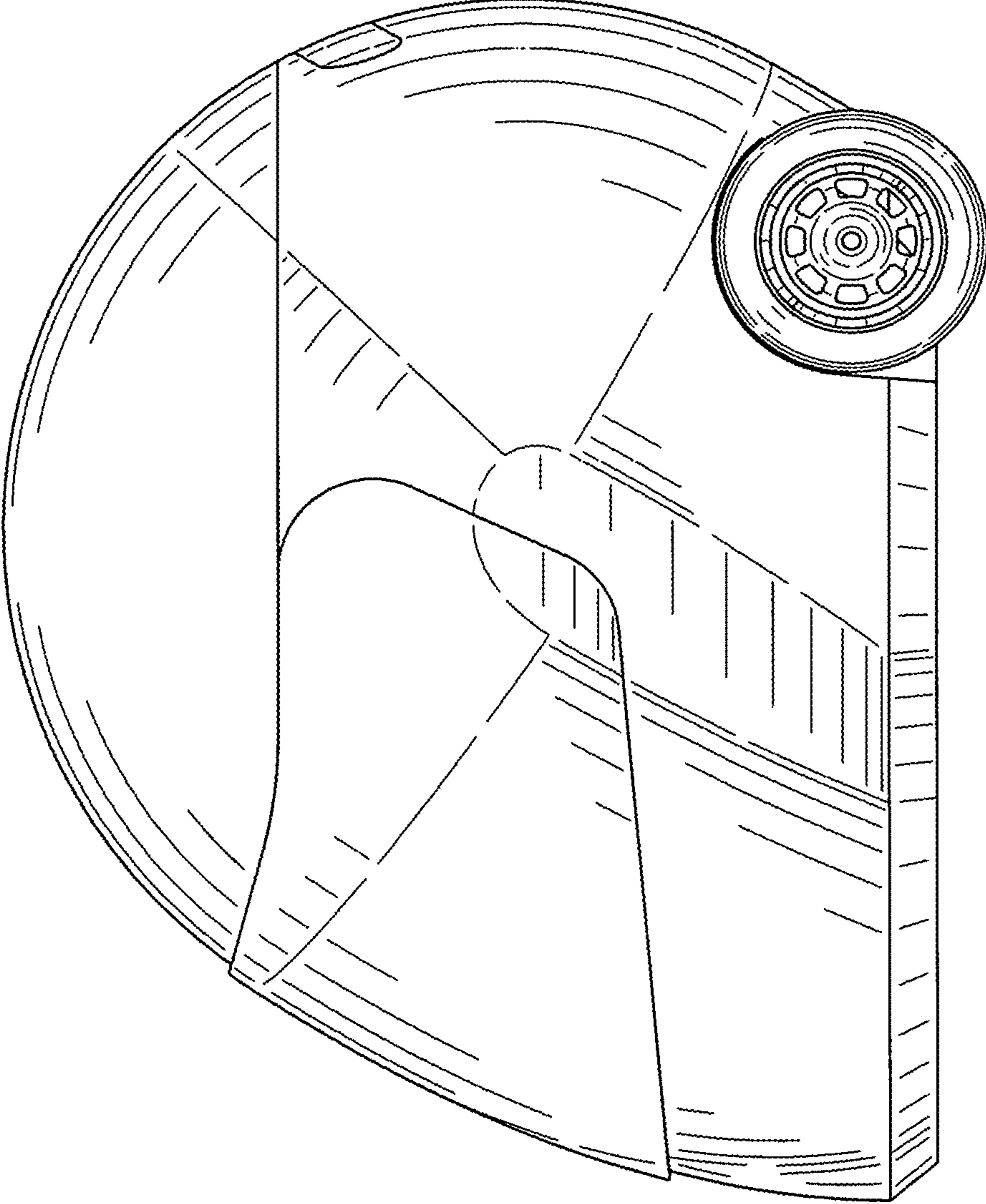


FIG. 4

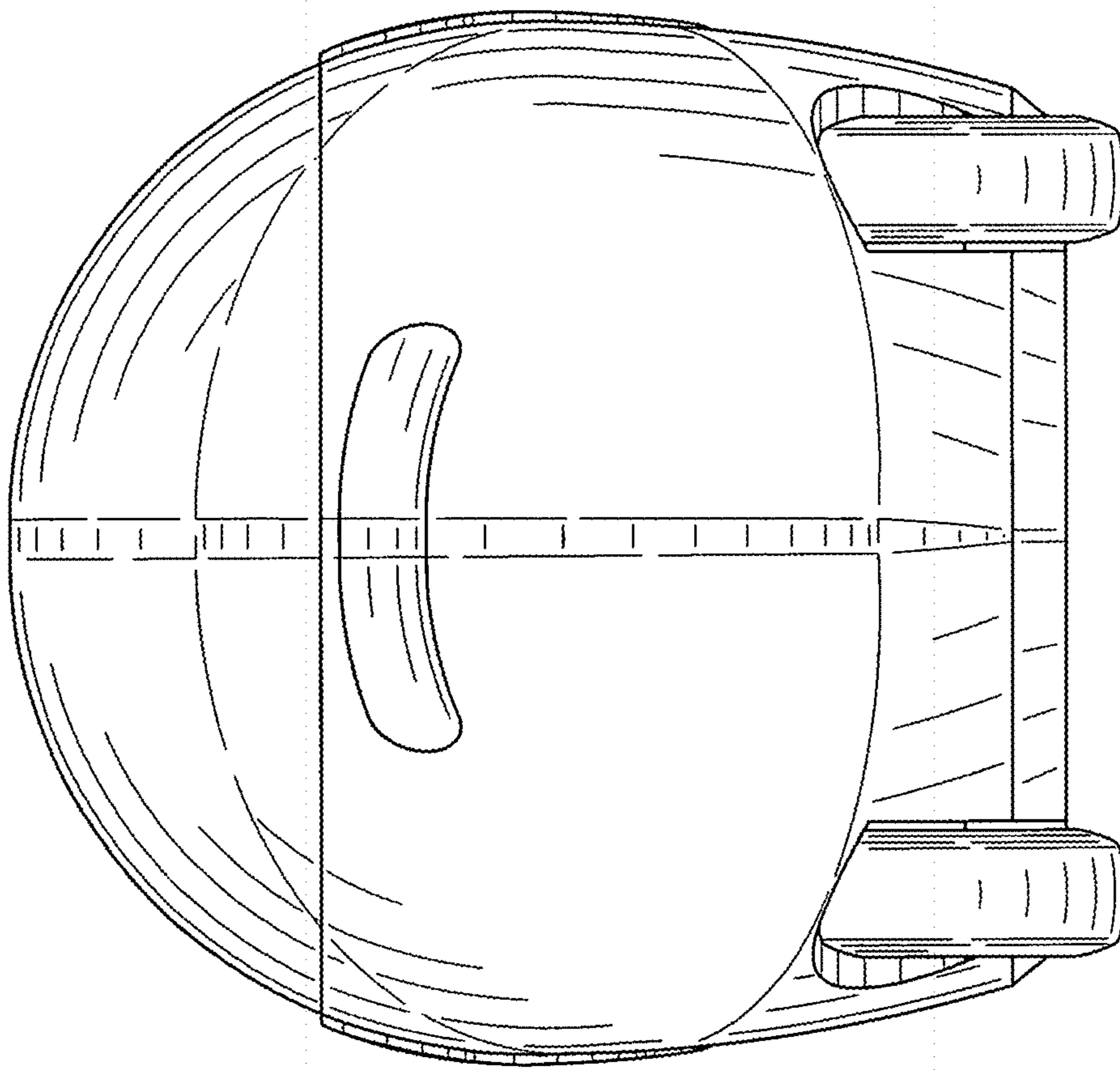


FIG. 5

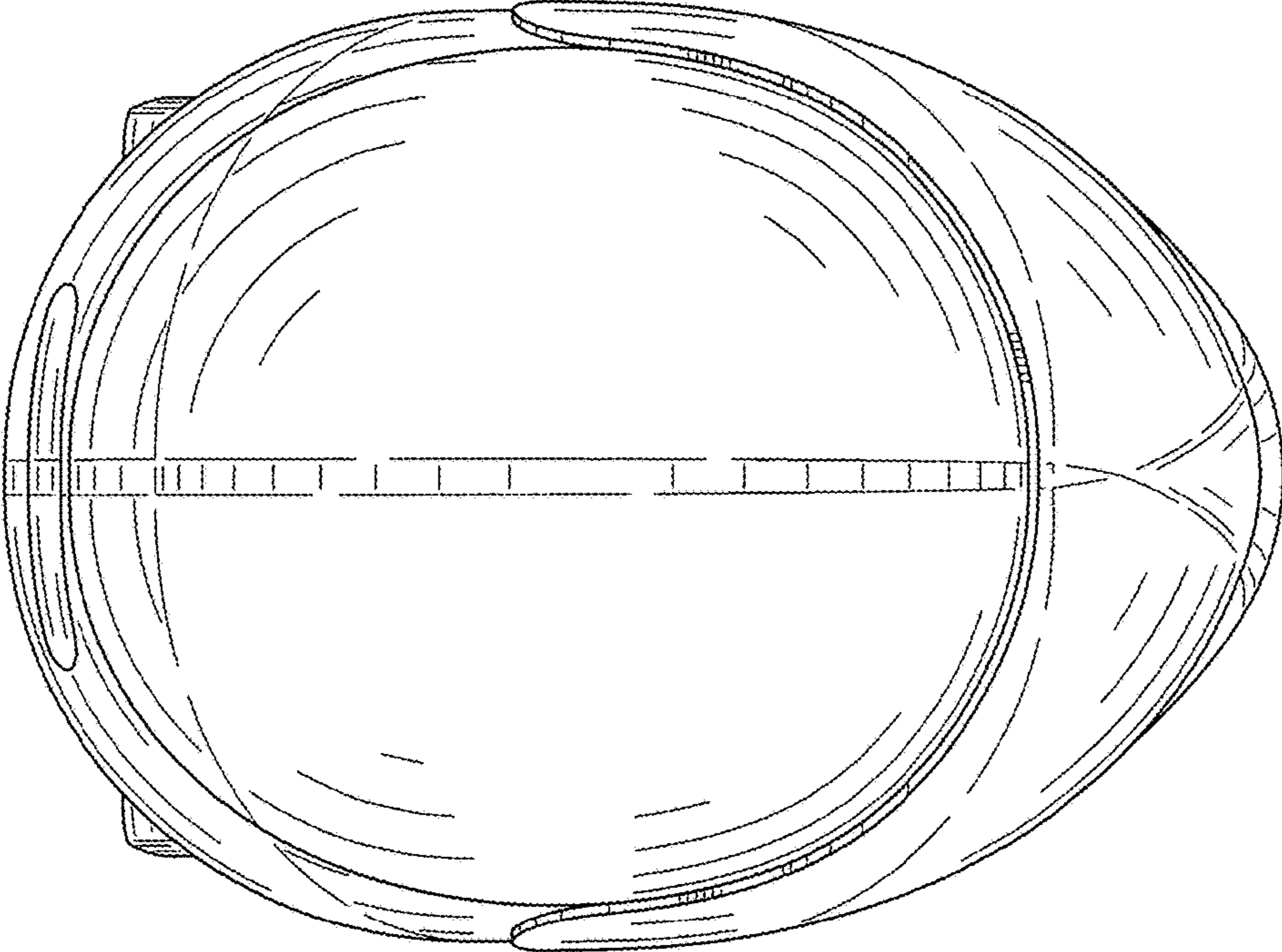


FIG. 6

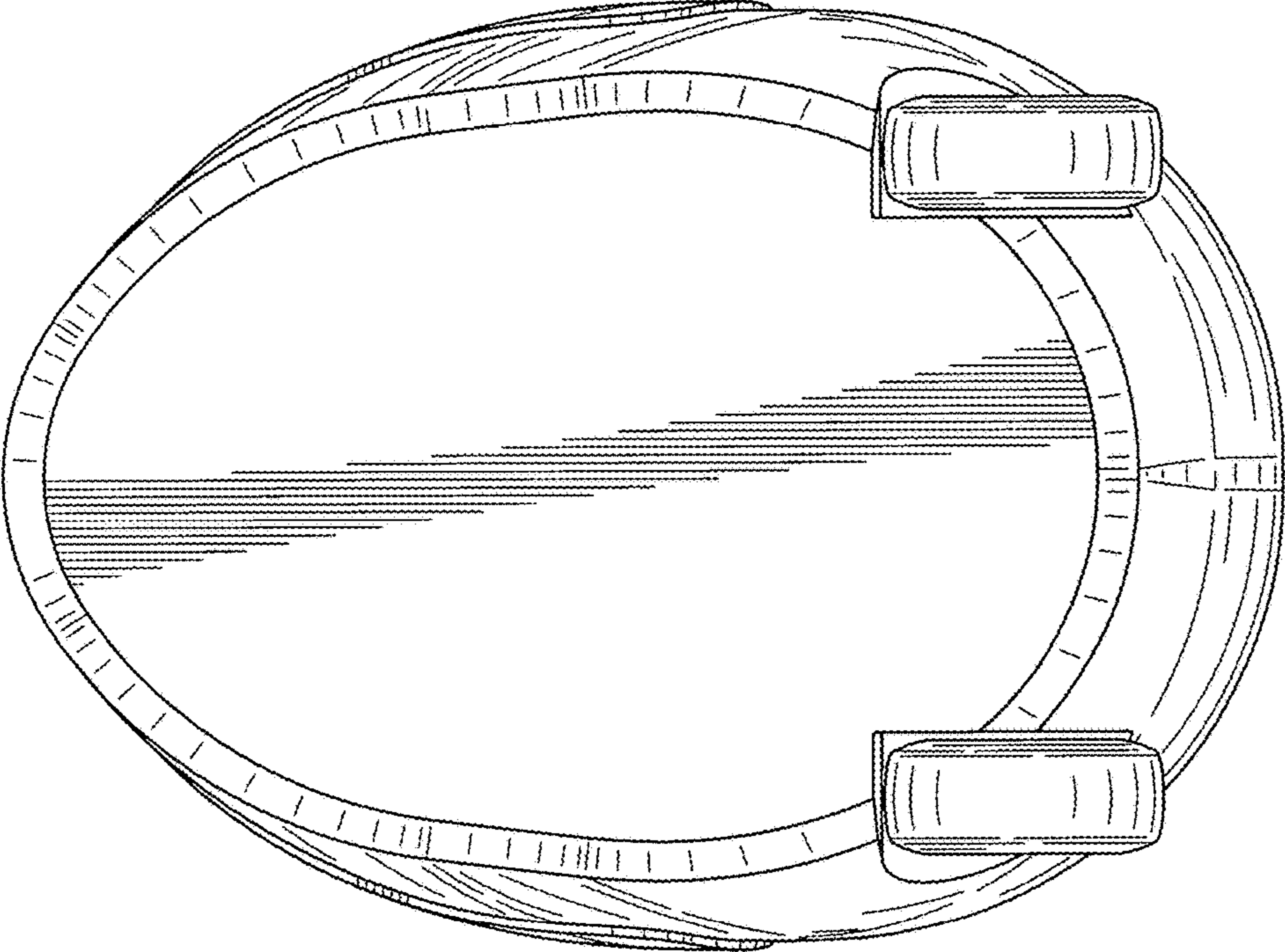


FIG. 7

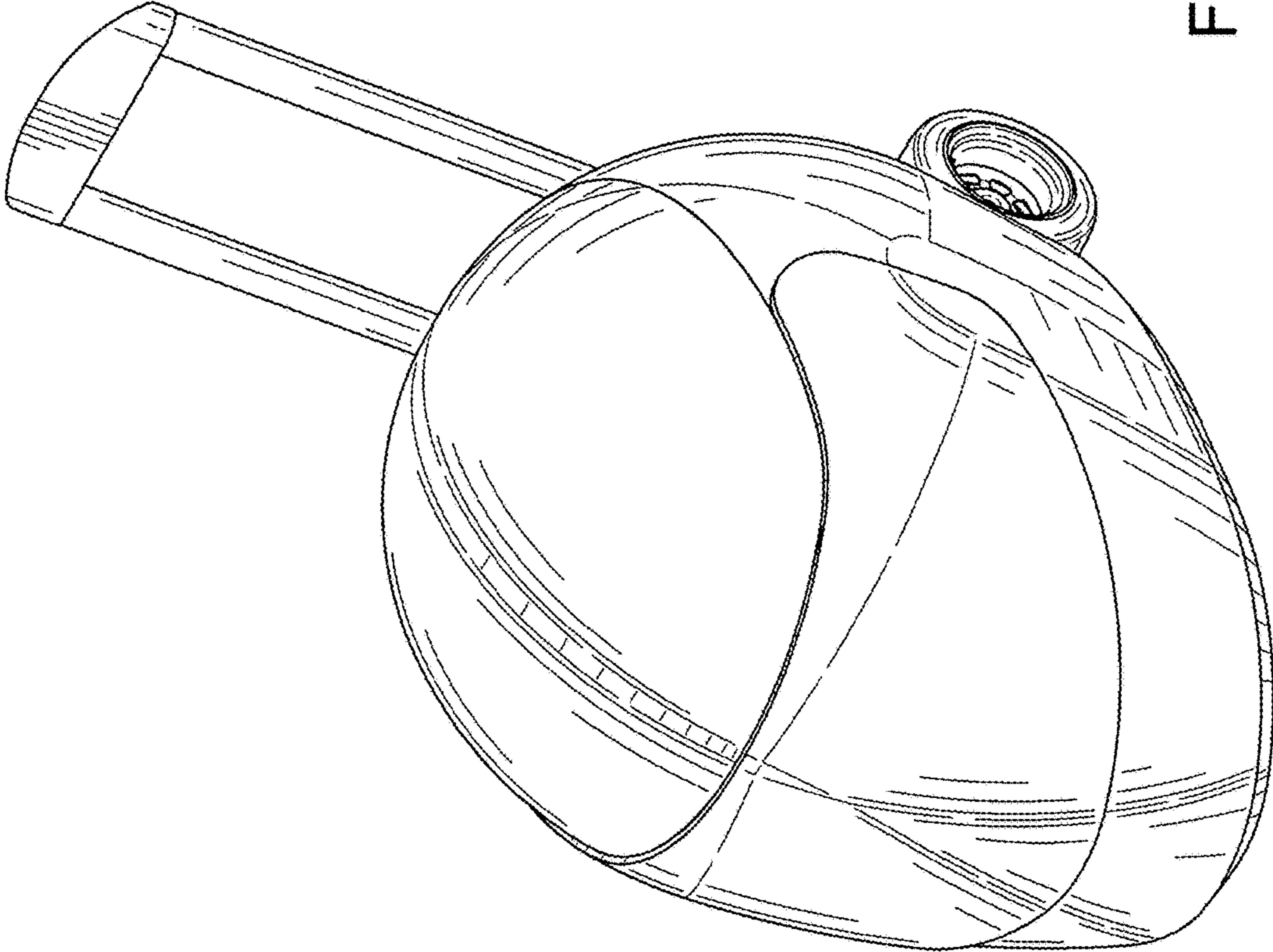


FIG. 8

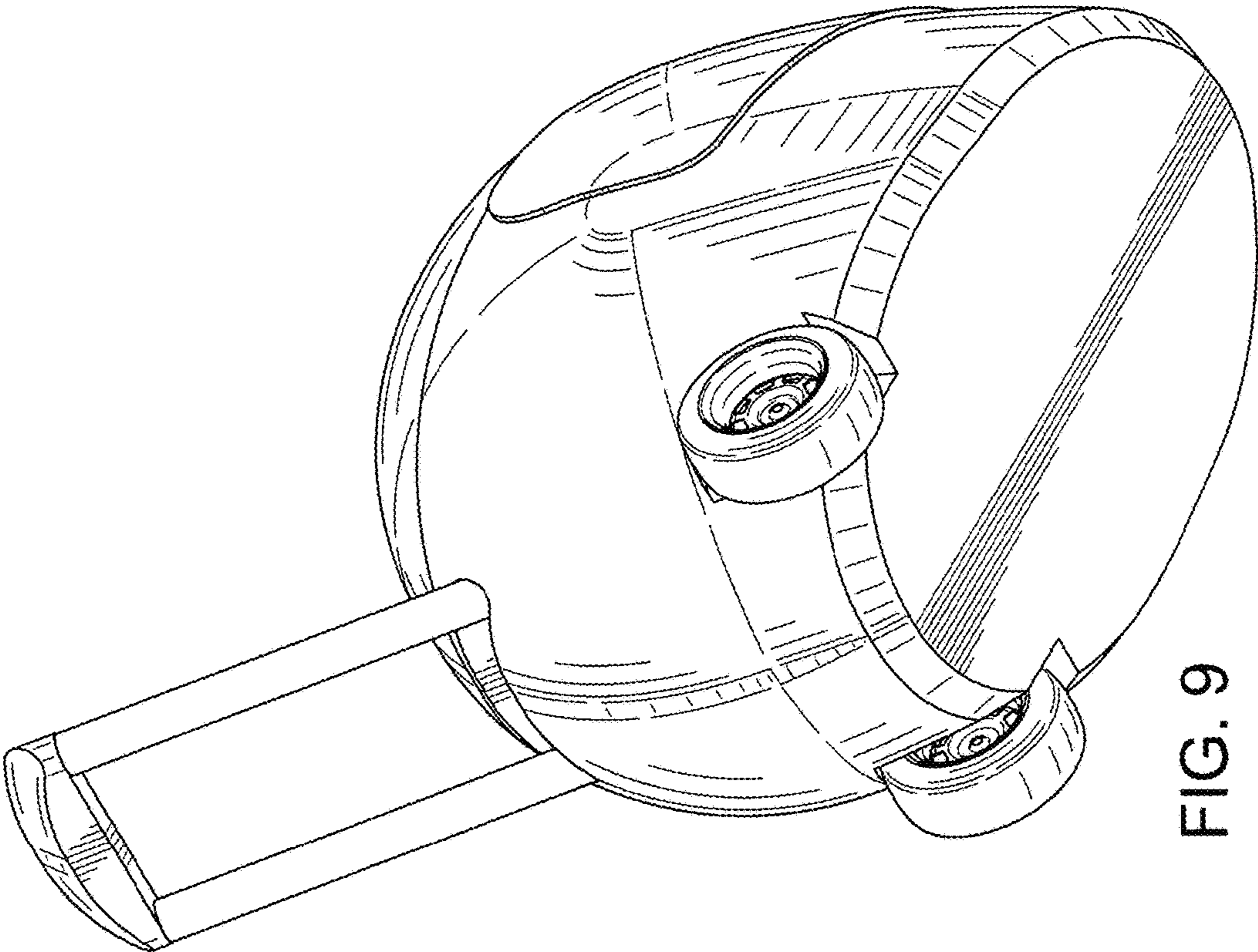


FIG. 9

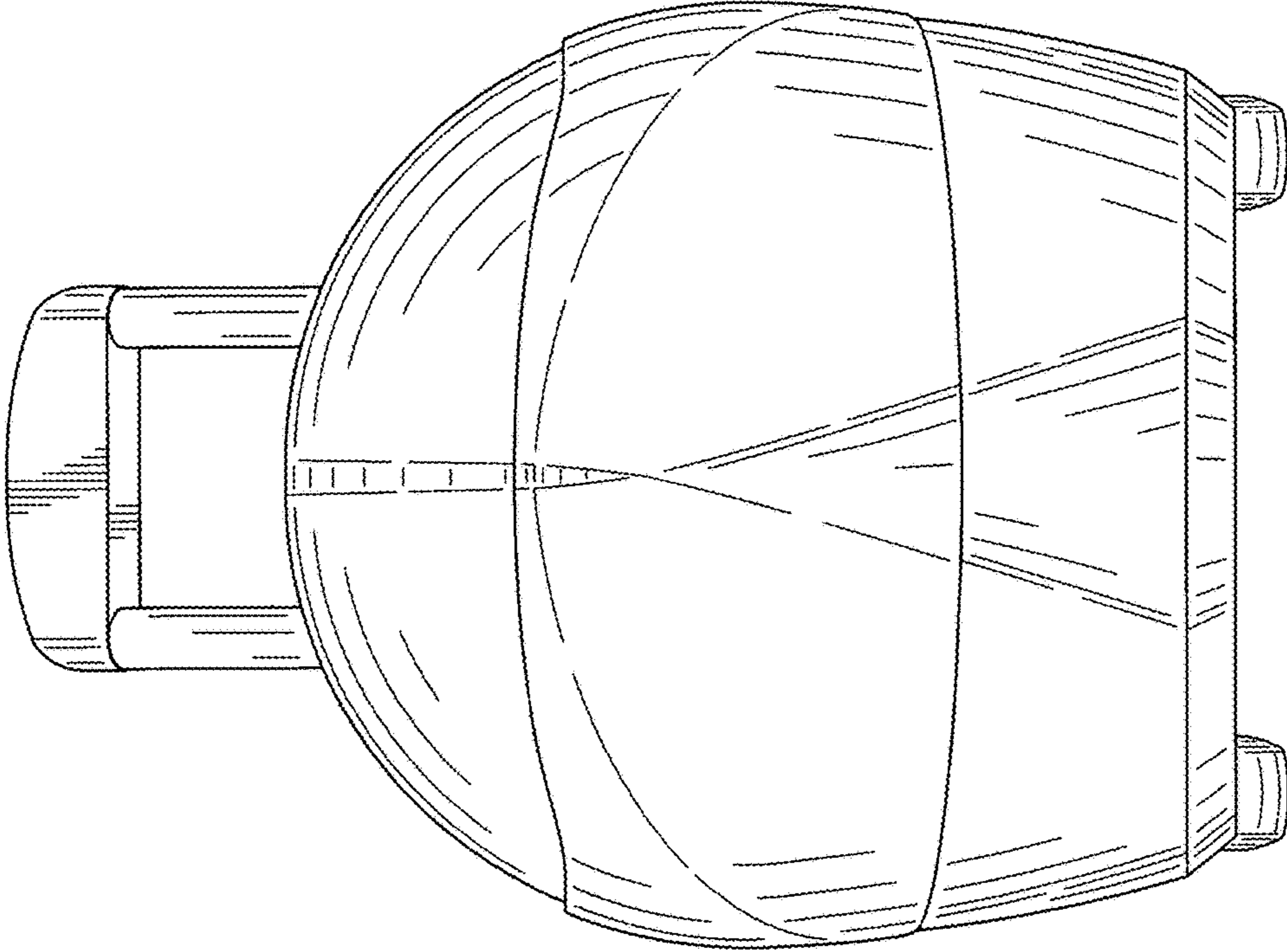


FIG. 10

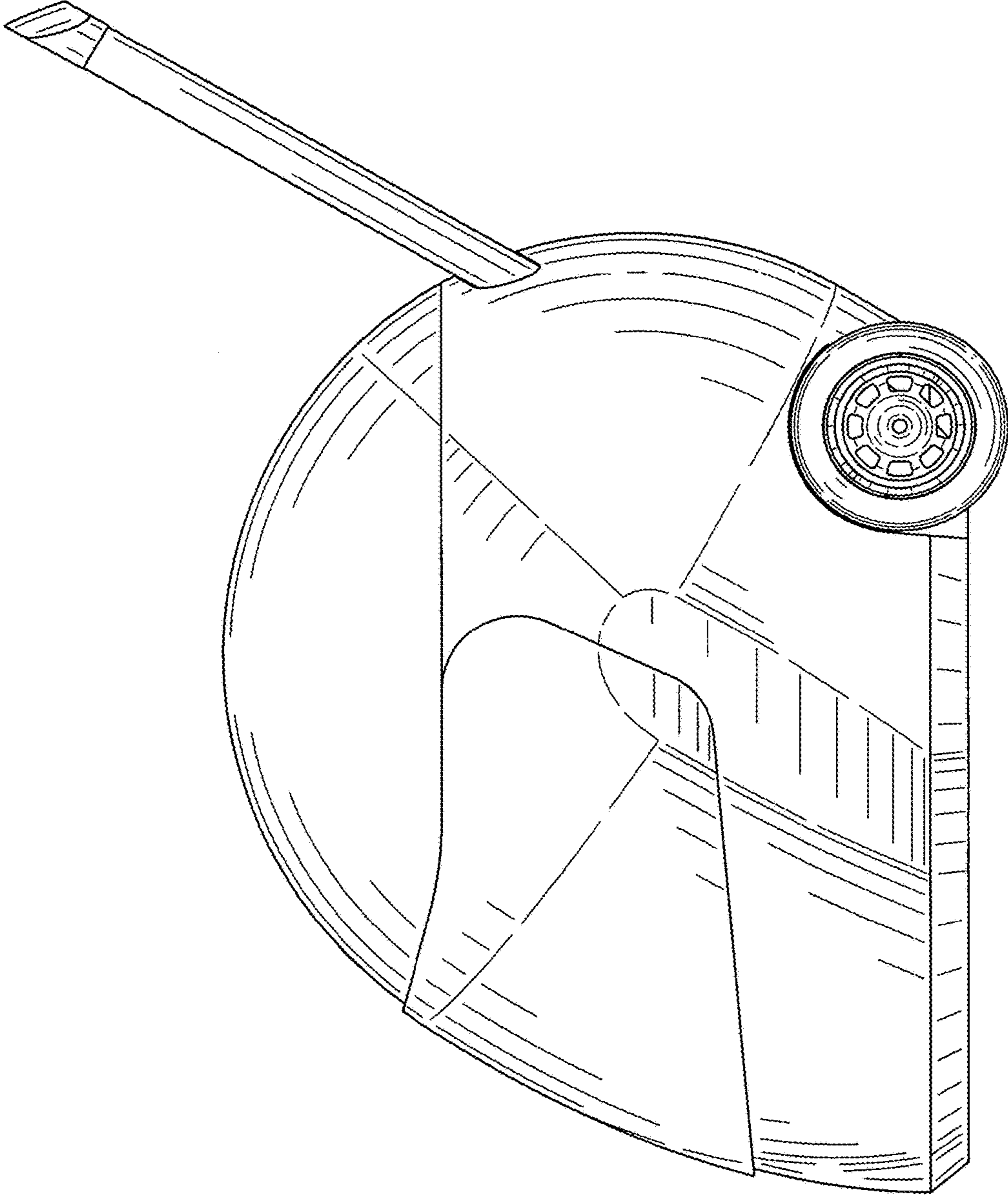


FIG. 11

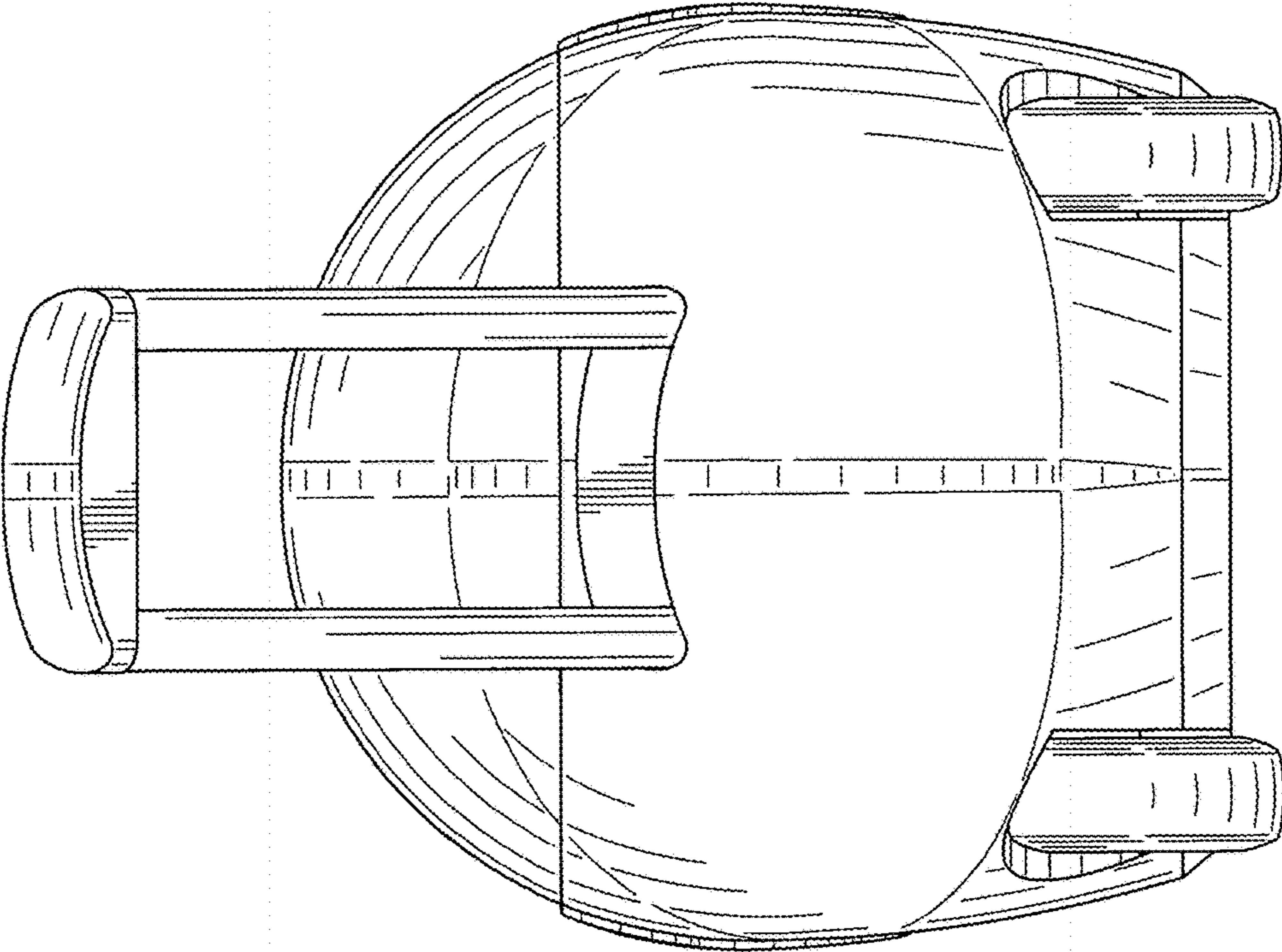


FIG. 12

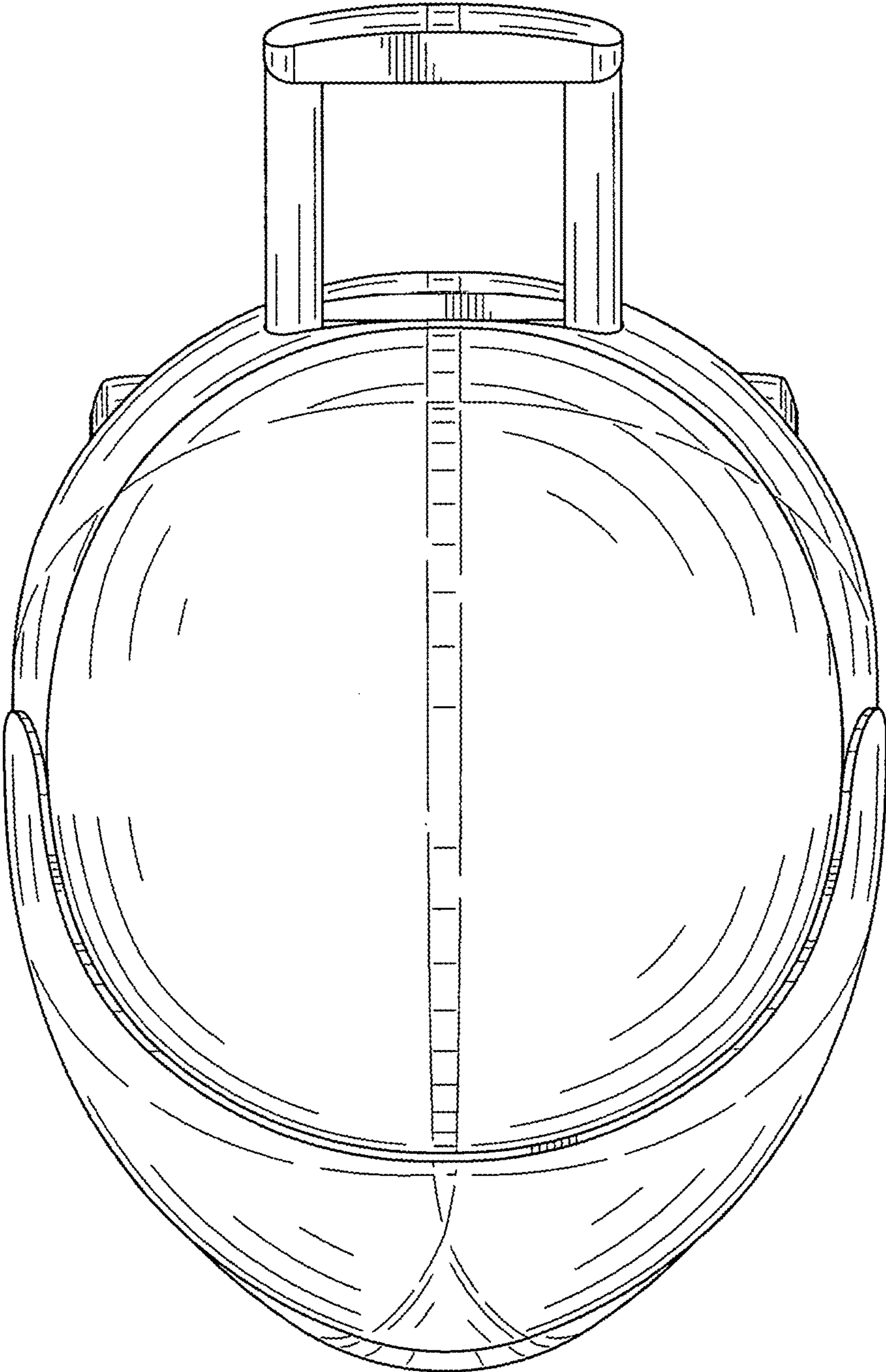


FIG. 13

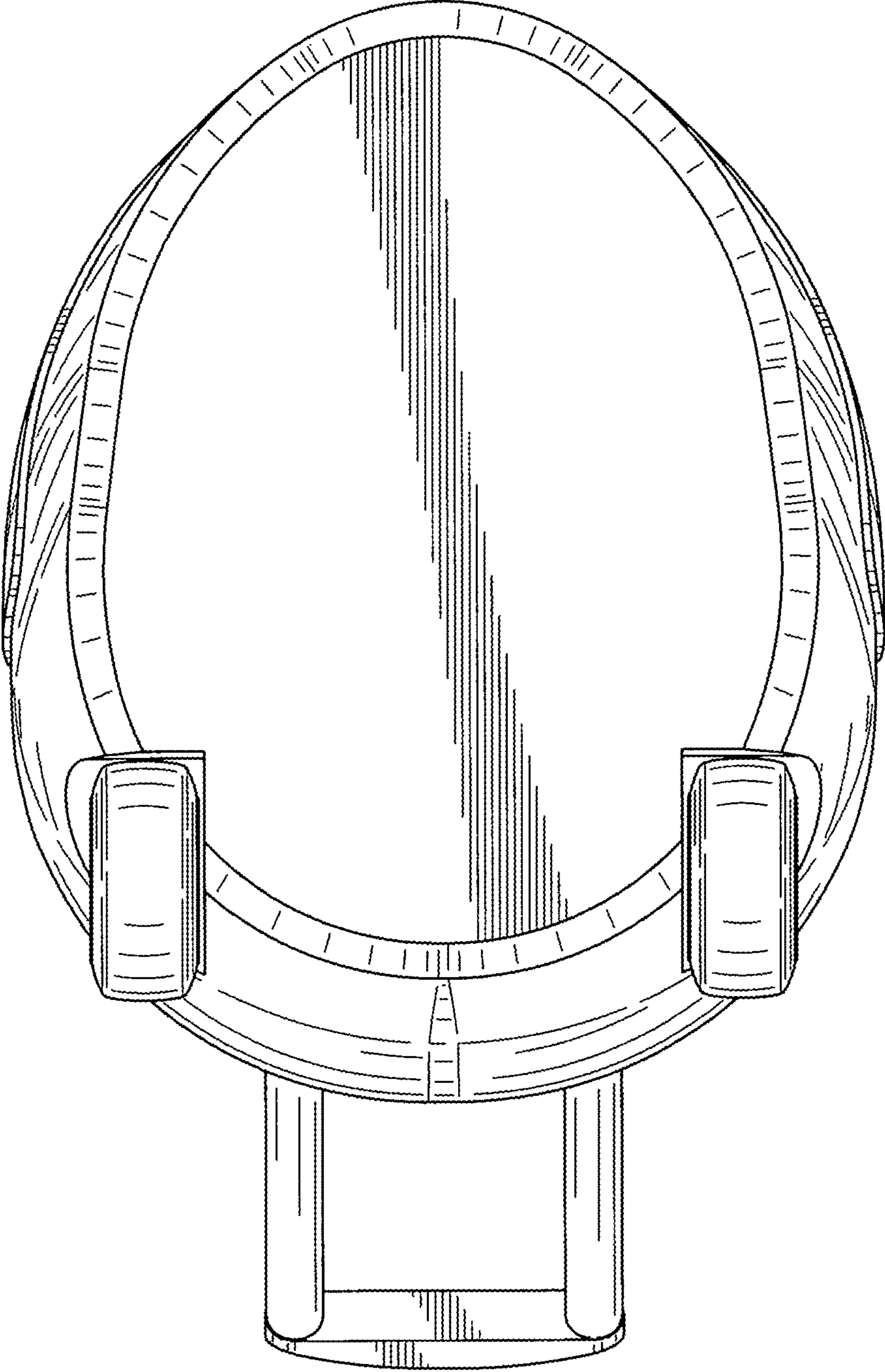


FIG. 14