



US00D828108S

(12) **United States Design Patent**
Bowling

(10) **Patent No.:** **US D828,108 S**

(45) **Date of Patent:** **** Sep. 11, 2018**

(54) **COOLER**

(71) Applicant: **Georgianna M. Bowling**, Winchester, KY (US)

(72) Inventor: **Georgianna M. Bowling**, Winchester, KY (US)

(**) Term: **15 Years**

(21) Appl. No.: **29/594,993**

(22) Filed: **Feb. 24, 2017**

(51) **LOC (11) Cl.** **07-01**

(52) **U.S. Cl.**
USPC **D7/605**

(58) **Field of Classification Search**
USPC D7/605, 607, 608, 630, 629, 703;
D3/273, 276, 279, 282, 284, 289, 902,
D3/901, 274; D15/83
CPC B65D 81/3813; B65D 81/3823; B65D
81/3888; B65D 81/3816; A45C 11/20;
F25B 19/00

See application file for complete search history.

(56) **References Cited**

U.S. PATENT DOCUMENTS

3,605,431 A	9/1971	Carson	
4,015,182 A	3/1977	Erdman	
4,024,731 A *	5/1977	Branscum B65D 81/3823 215/385
4,058,384 A	11/1977	Keefe	
4,981,019 A	1/1991	Hicks et al.	
5,295,369 A *	3/1994	Garcia F25D 3/08 62/389
D353,304 S *	12/1994	Friedrich D7/605
5,709,104 A	1/1998	Howcroft	
D403,925 S *	1/1999	Moffett, III D7/605
6,282,906 B1	4/2001	Cauchy	
6,244,066 B1 *	6/2001	LaRose B65D 25/38 220/560
6,751,963 B2	6/2004	Navedo et al.	

D514,891 S *	2/2006	Garcia D7/605
8,567,211 B2	10/2013	Al-Rasheed	
D744,786 S *	12/2015	Bagwell D7/605
D746,642 S *	1/2016	Rolfes D7/605
D797,518 S *	9/2017	Pavia, III D7/605

(Continued)

OTHER PUBLICATIONS

Youtube, "Georgianna Bowling | Kewler", Uploaded by user "For Sale by Inventor" on May 4, 2017. (<https://www.youtube.com/watch?v=-nBx81JOkAU>).*

(Continued)

Primary Examiner — Jennifer Rivard

Assistant Examiner — April Rivas

(74) *Attorney, Agent, or Firm* — Cramer Patent & Design, PLLC; Aaron R. Cramer

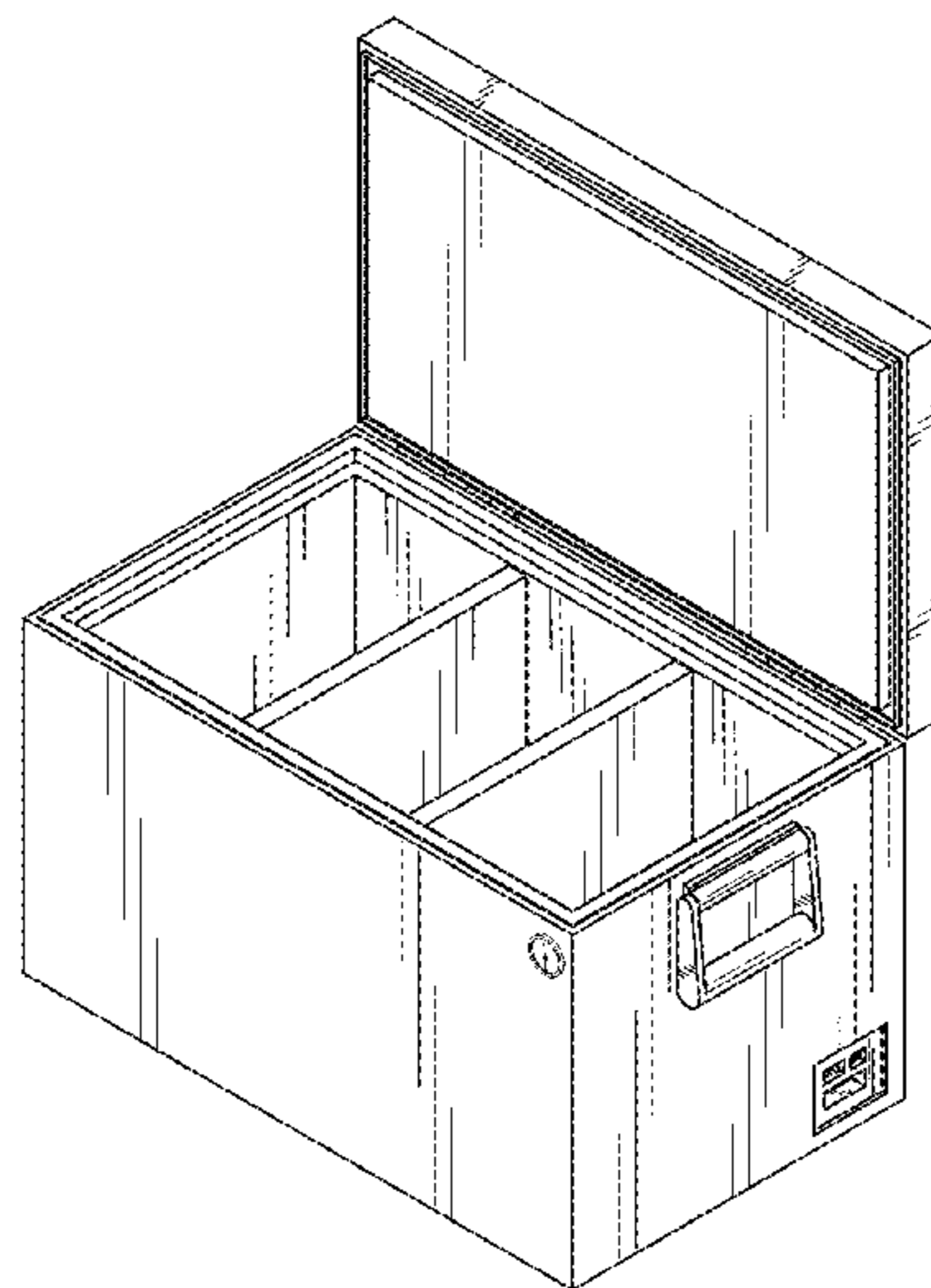
(57) **CLAIM**

The ornamental design for a cooler, as shown and described.

DESCRIPTION

FIG. 1 is a perspective top front view of a cooler with the lid in a closed position, showing my new design;
 FIG. 2 is a perspective top and front view of the cooler with the lid shown in an open position and the two (2) interior inserts shown exploded and adjacent to the cooler;
 FIG. 3 is a left-side elevation view thereof;
 FIG. 4 is a right-side elevation view thereof;
 FIG. 5 is an enlarged front side elevation view thereof;
 FIG. 6 is a rear side elevation view thereof;
 FIG. 7 is a top side plan view thereof;
 FIG. 8 is a bottom side plan view thereof; and,
 FIG. 9 is a perspective top front view of a cooler with the lid in an opened position and two (2) inserts installed.
 The broken lines detailed in FIG. 5 are intended to illustrate a boundary area and form no part of the claimed.

1 Claim, 9 Drawing Sheets



(56)

References Cited

U.S. PATENT DOCUMENTS

D797,519 S * 9/2017 Devenny D7/605
2008/0245793 A1 * 10/2008 Hanson A45C 11/20
220/263
2009/0277187 A1 11/2009 McGann
2013/0284619 A1 * 10/2013 Daley B65D 81/361
206/216
2016/0135559 A1 * 5/2016 Scally A45C 9/00
220/592.03

OTHER PUBLICATIONS

The Best Cooler, "The Organizer Divide 'n' Cut", first reviewed on Oct. 3, 2014. (<http://www.thebestcooler.com/the-organizer-divide-n-cut/>).*

Icebin, "Icebin 65 Liter", Accessed Jan. 26, 2018. (<https://icebincoolers.com/the-icebin/icebin-65-liter-cooler>).*

Engel MT35 Fridge/Freezer. Product Listing [online] Engel, 2013 [retrieved on May 29, 2013]. Retrieved from the Internet: http://www.sierraexpeditions.com/index.php?l=product_detail&p=24.

5 Things You Need to Know About Portable 12v Fridge/Freezers. Blog Article, [online] Stephens, Mark, 2012 [retrieved on May 29, 2013]. Retrieved from the Internet: <http://www.adventureparents.com/blog/dads-dirt-roads-blog/443-5-things-you-need-to-know-before-buying-a-fridgefreezer-for-your-truck-or-camper>.

Portable Fridges Freezers. Product Listing [online] Whynter, 2013 [retrieved on May 29, 2013]. Retrieved from the Internet: http://www.whynter.com/productdetail/outdoor_living/portable_fridges_freezers/282.

National Luna 40 litre fridge / freezer. Product Listing [online] National Luna, 2006 [retrieved on May 29, 2013]. Retrieved from the Internet: <http://www.nationalluna.com/NLR40.htm>.

* cited by examiner

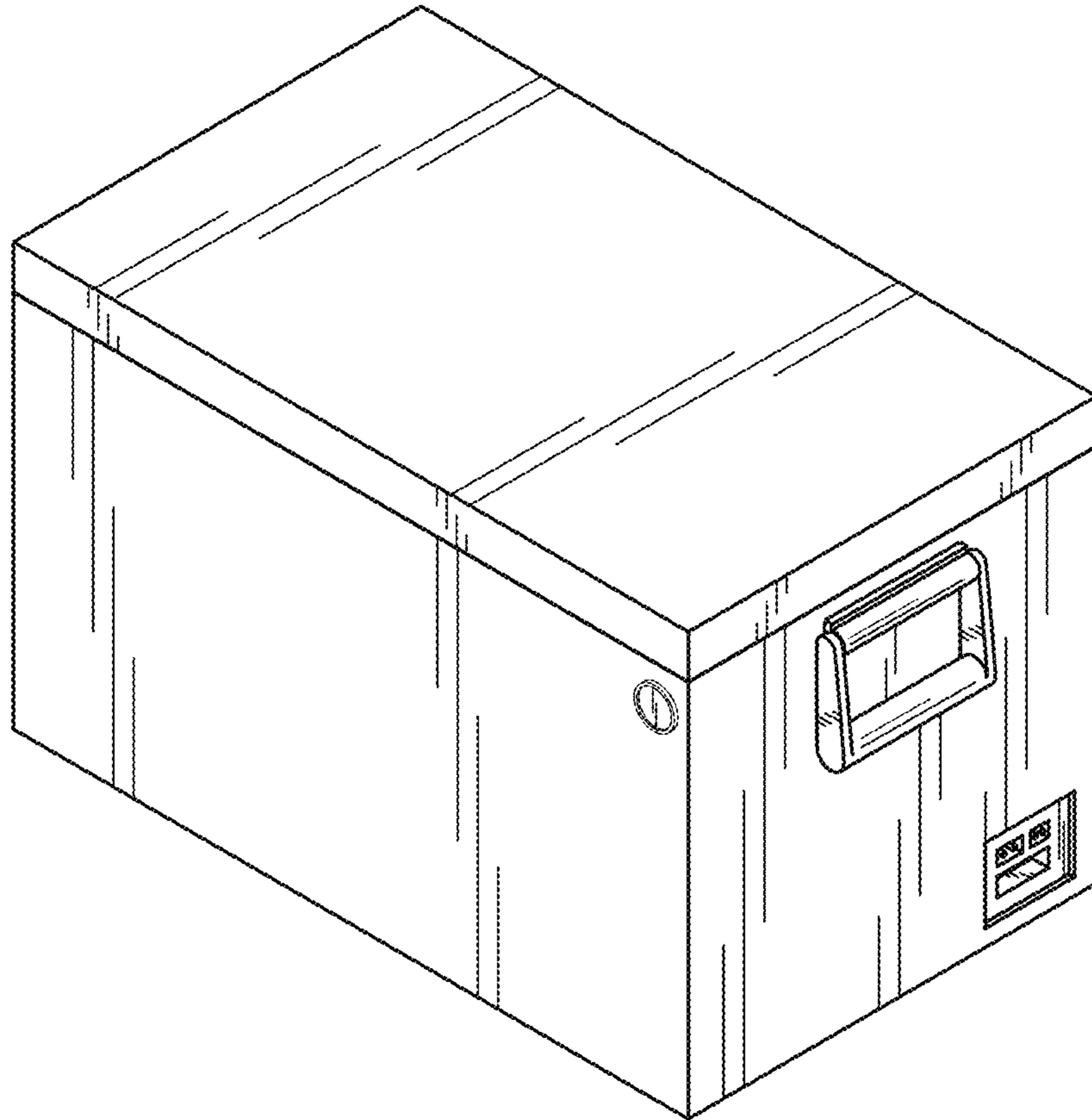


FIG. 1

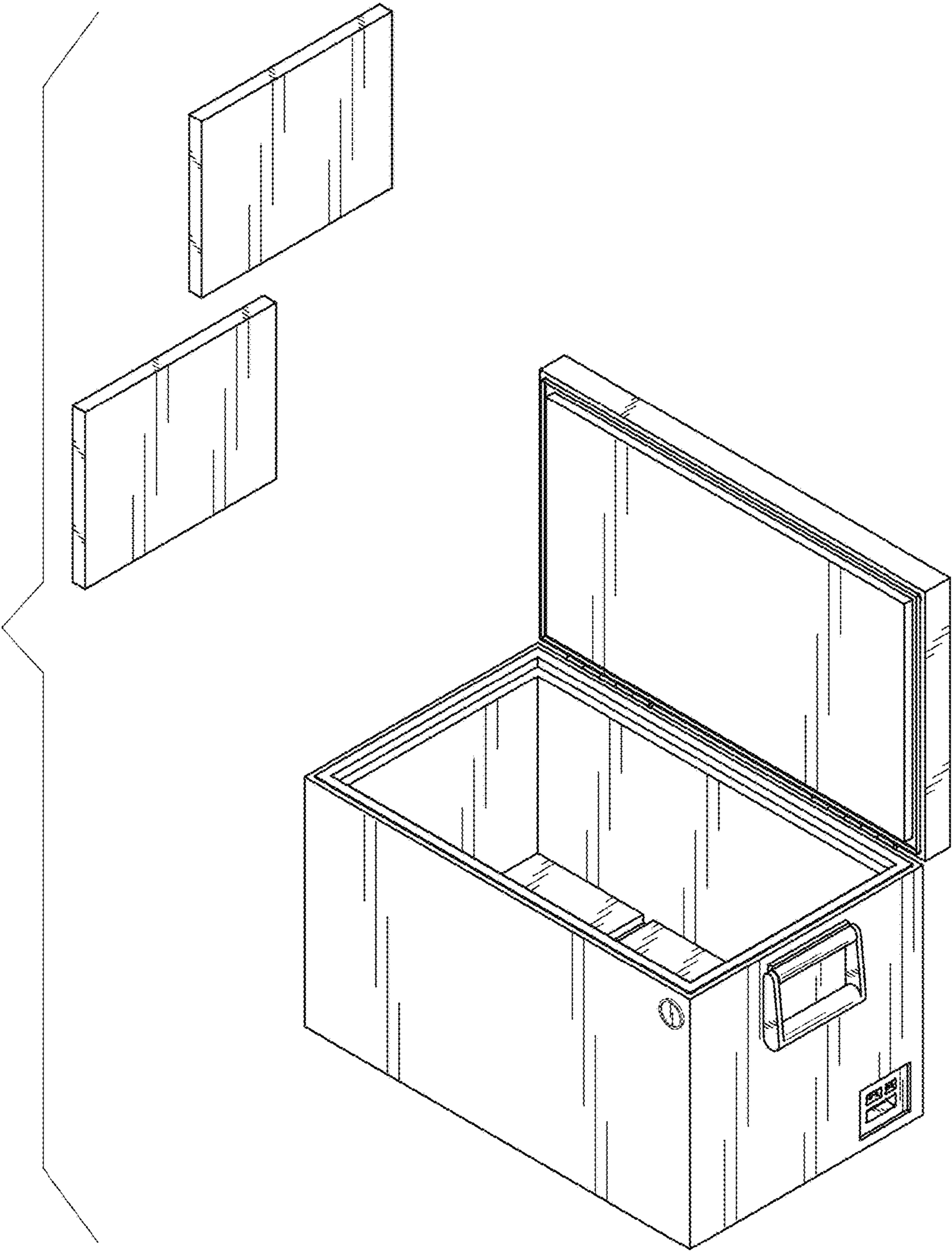


FIG. 2

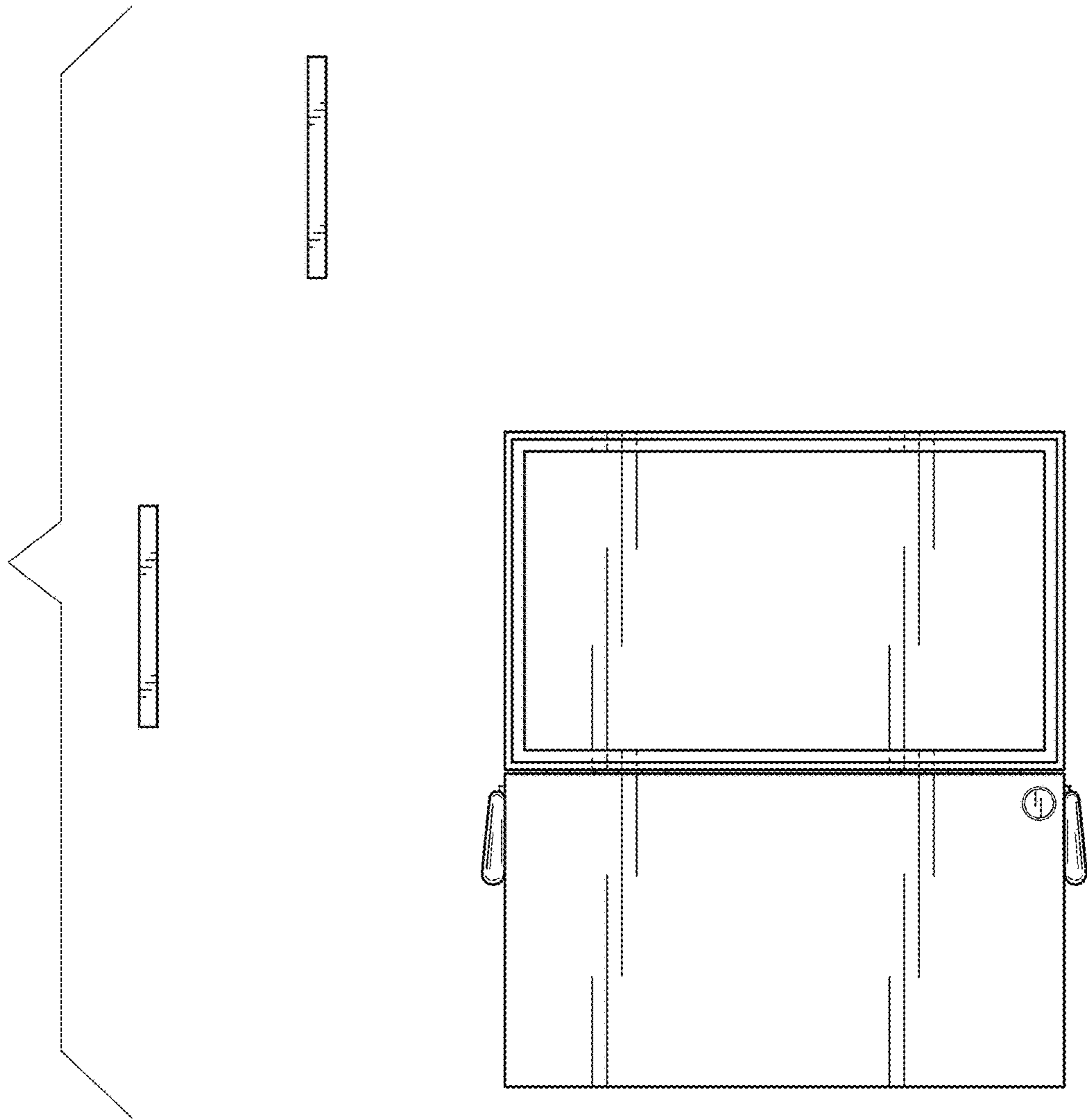


FIG. 3

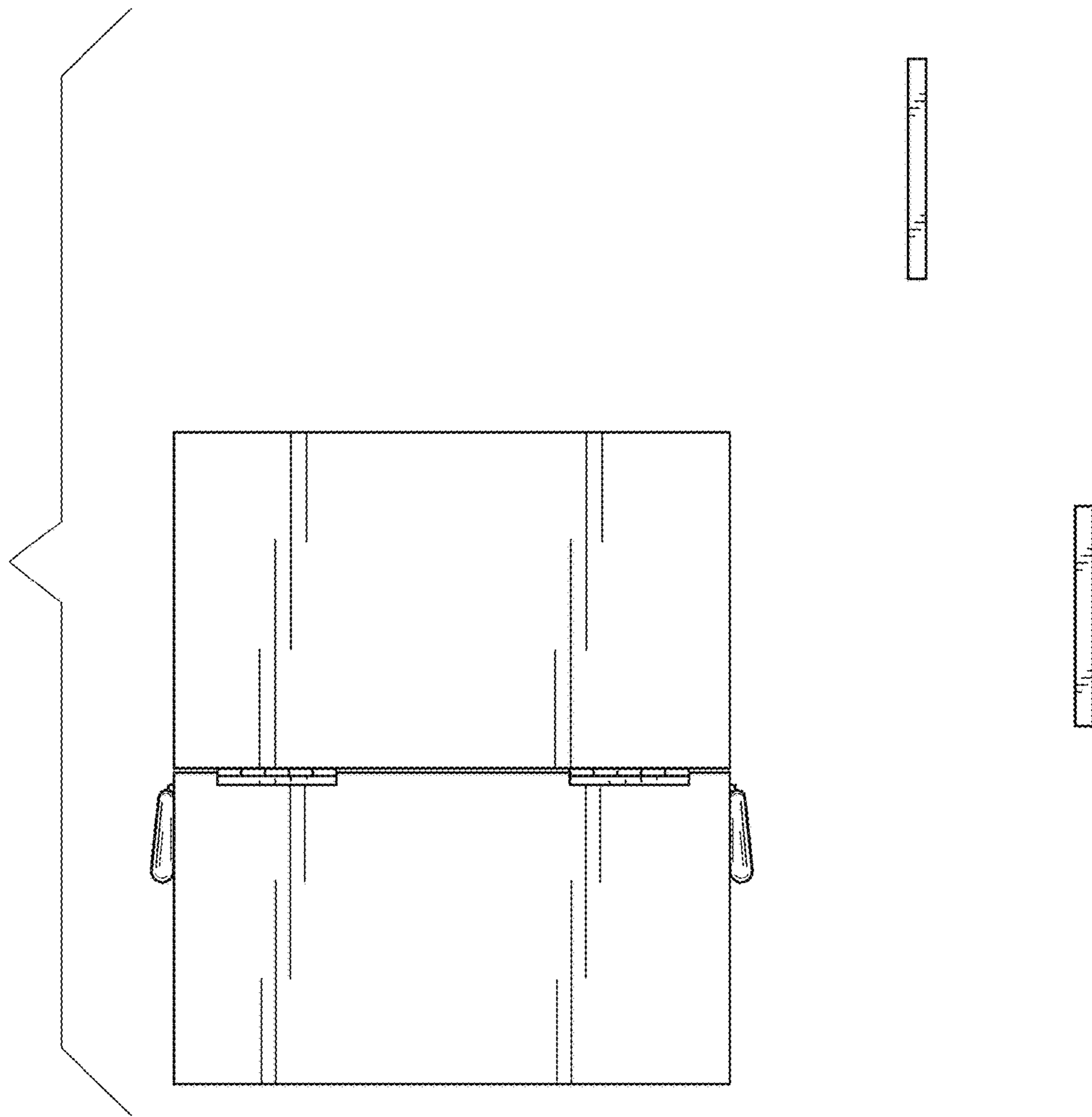


FIG. 4

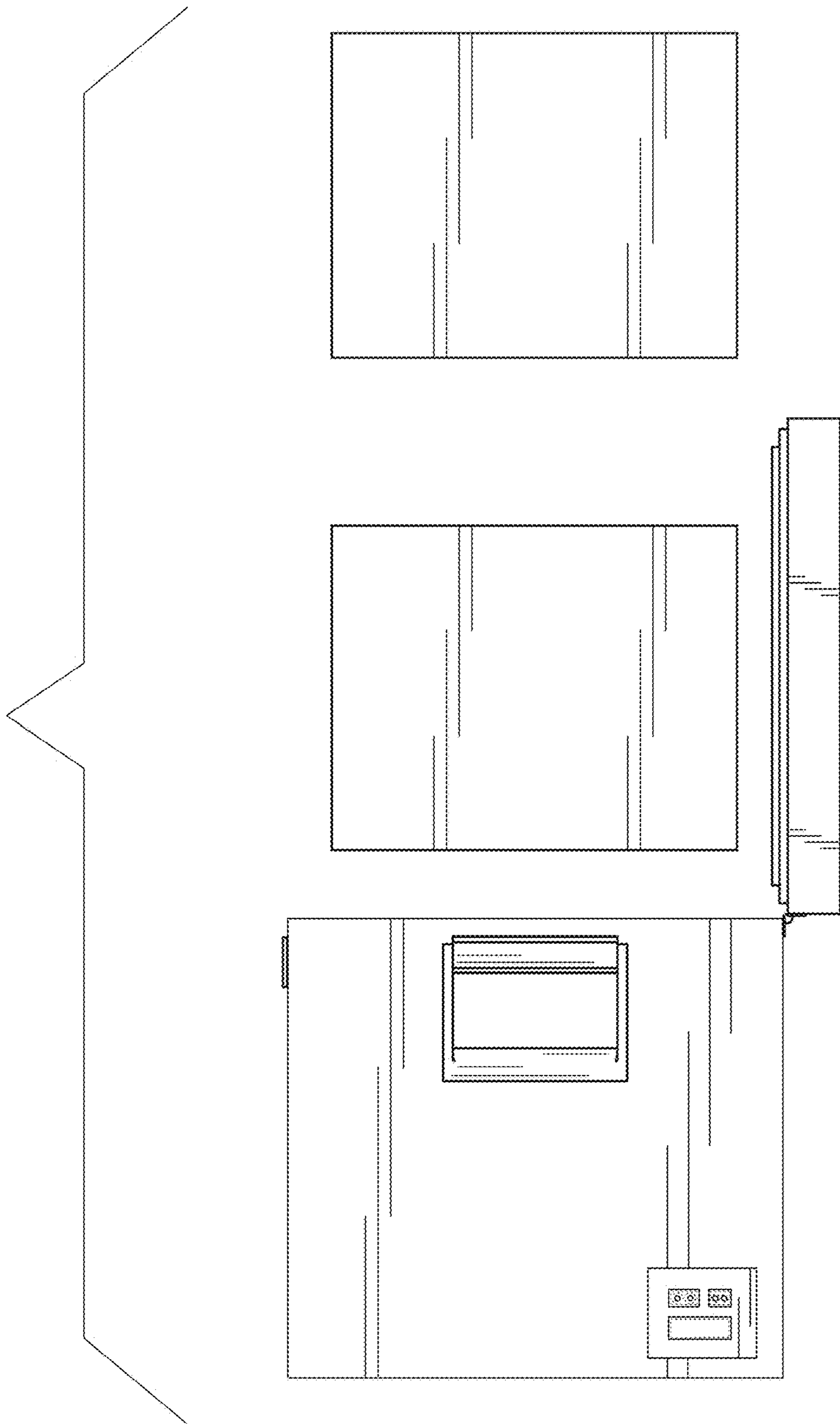


FIG. 5

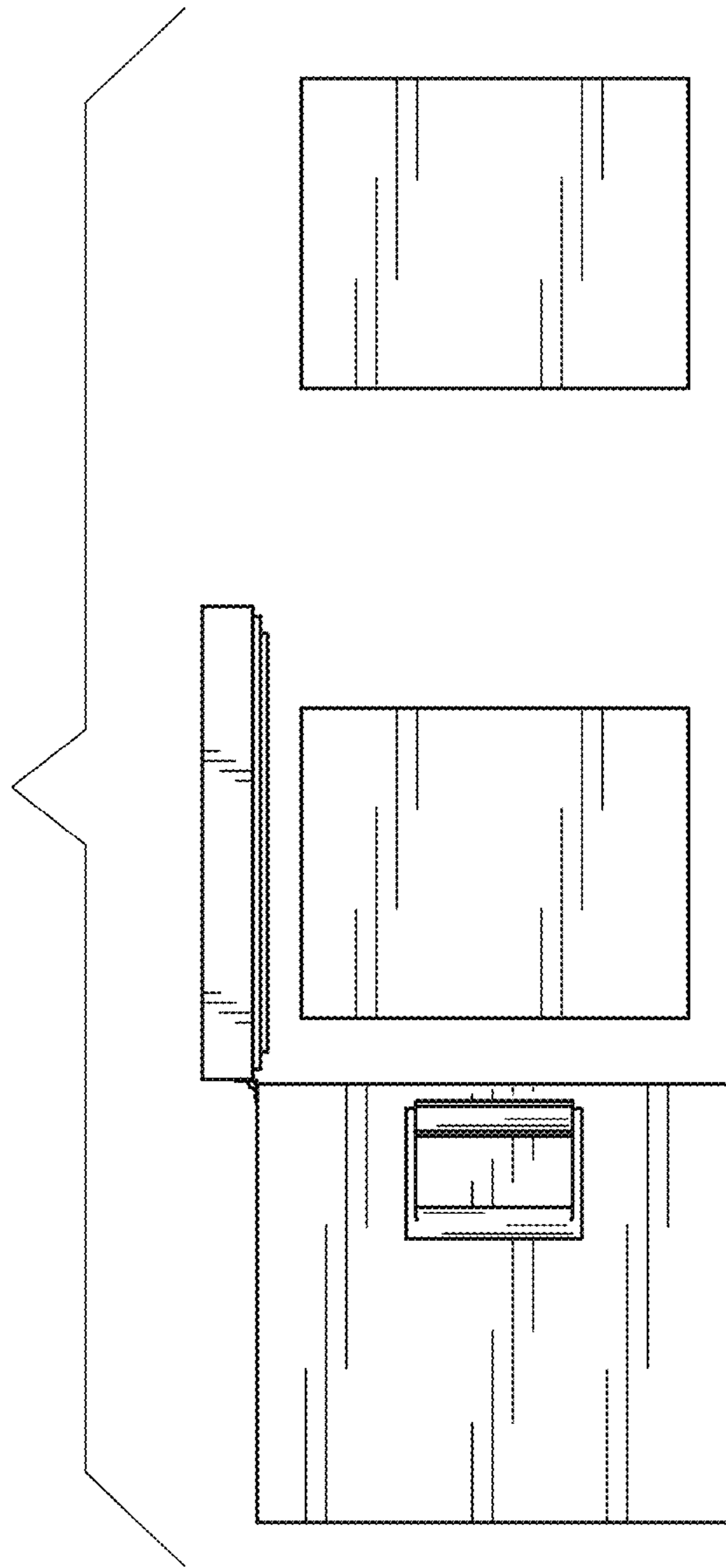


FIG. 6

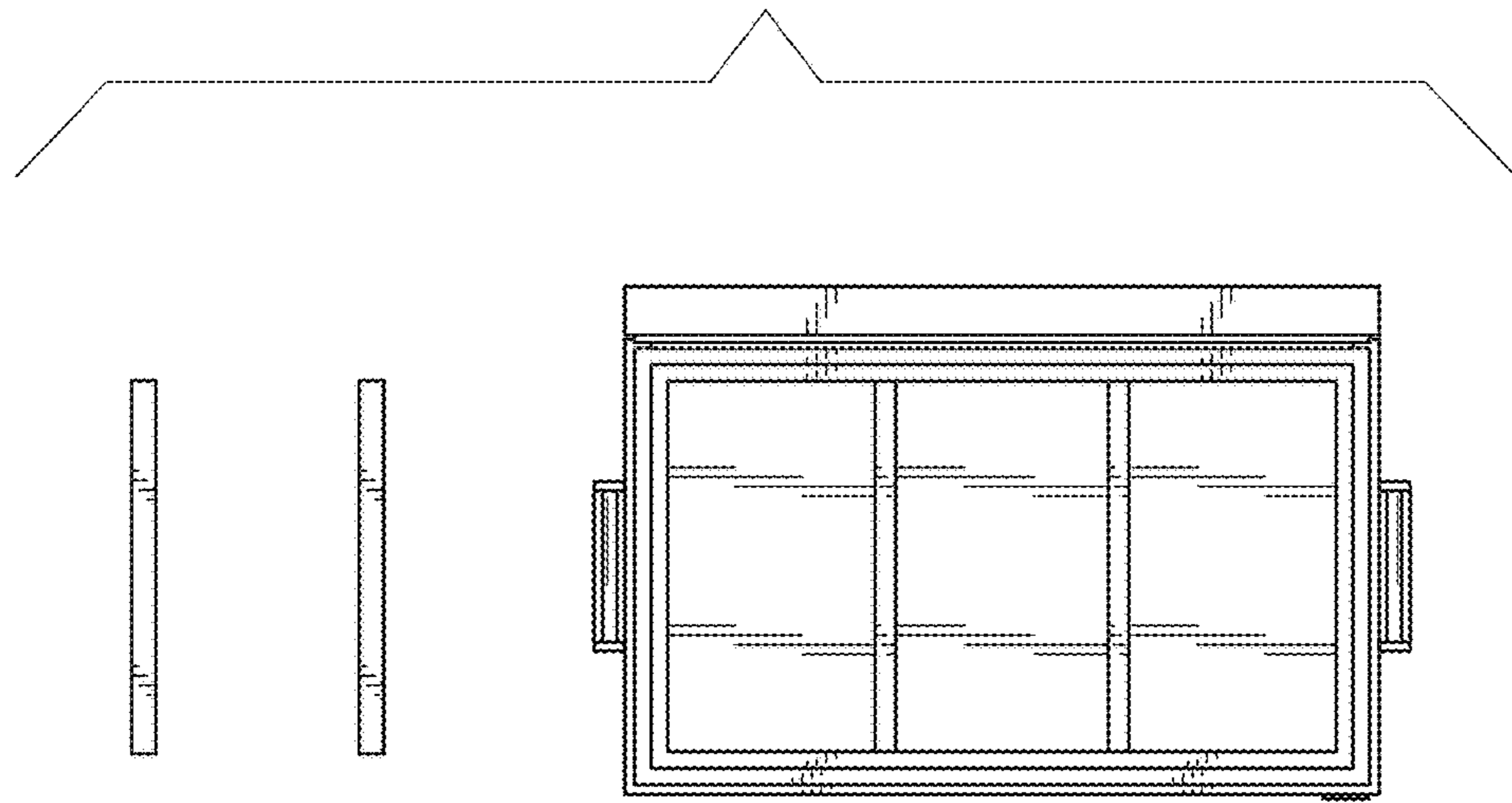


FIG. 7

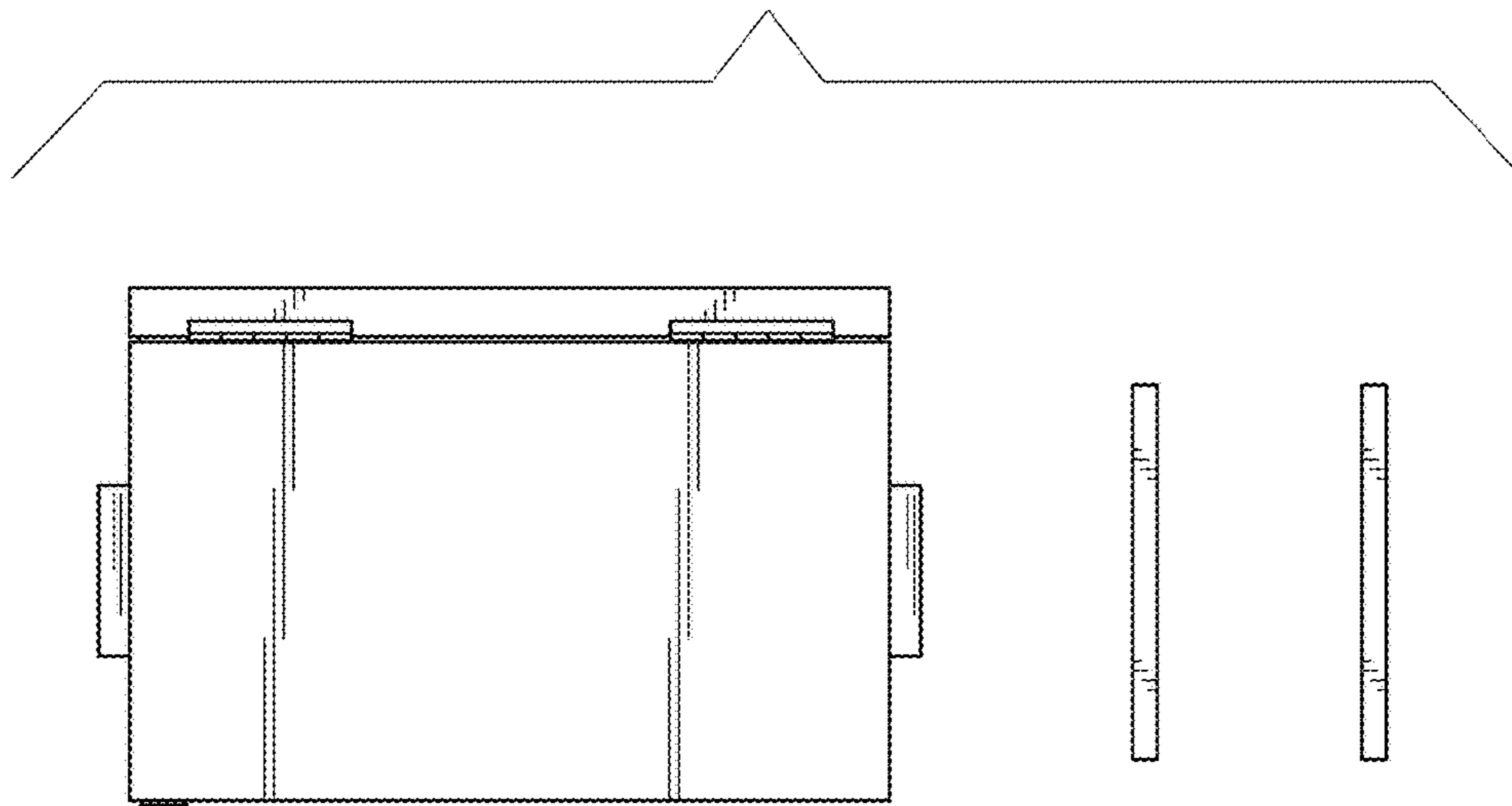


FIG. 8

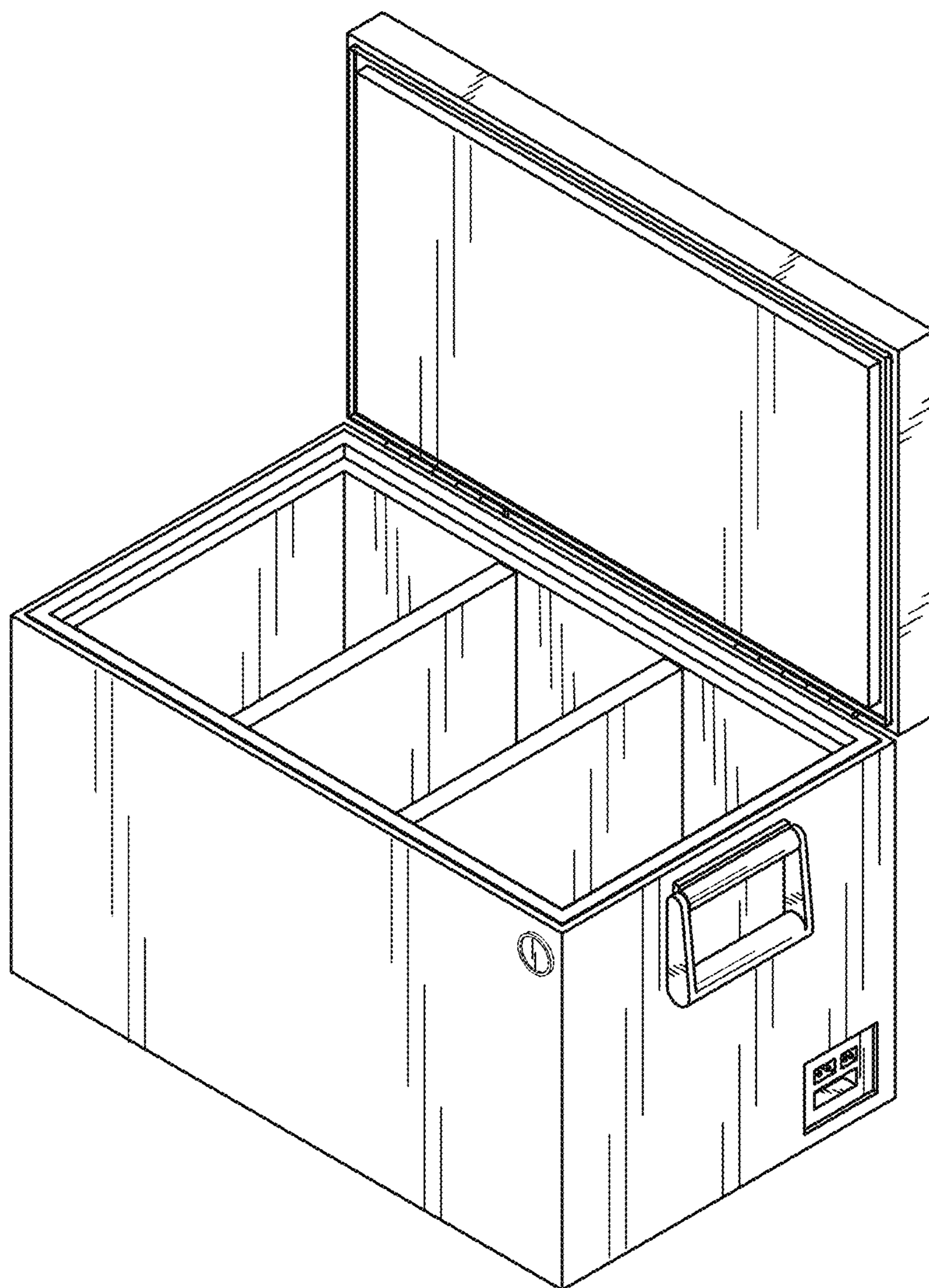


FIG. 9