

US00D828105S

(12) **United States Design Patent**
Peterson

(10) **Patent No.:** **US D828,105 S**

(45) **Date of Patent:** **** Sep. 11, 2018**

(54) **LIQUID CONTAINER**

(71) Applicant: **Off-Center Line, LLC**, Scottsdale, AZ (US)

(72) Inventor: **Ronald Peterson**, Scottsdale, AZ (US)

(**) Term: **15 Years**

(21) Appl. No.: **29/579,062**

(22) Filed: **Sep. 27, 2016**

(51) **LOC (11) Cl.** **07-07**

(52) **U.S. Cl.**

USPC **D7/589**

(58) **Field of Classification Search**

USPC D7/316-319, 312, 598, 600, 322, 321, D7/630, 601, 602, 538-542, 612, D7/603-608, 300, 629, 628, 709, 619.1; D23/209; D9/424-432, 445, 500, 501, D9/503, 504, 516, 549, 575, 552, 553
CPC A47J 41/0027; A47J 41/00; A47J 31/50; A47J 45/0077; A47J 31/053; A47G 19/22; B65D 47/249; B65D 25/2811; B65D 39/00; B65D 39/08; B65D 1/16; B65D 1/20; B65D 25/22; B01D 29/11; B29C 41/20

See application file for complete search history.

(56) **References Cited**

U.S. PATENT DOCUMENTS

- D188,513 S * 8/1960 Moore D7/313
- 2,978,132 A * 4/1961 Huck A47J 41/0083
206/217
- RE25,146 E * 3/1962 Huck A47J 31/50
215/12.1
- D192,529 S * 4/1962 Painter D7/313
- D203,709 S * 2/1966 Yamasaki et al. D7/313
- D203,774 S * 2/1966 Gentry D7/313
- 3,312,373 A * 4/1967 Gentry A47J 36/06
215/12.2

- 3,647,110 A * 3/1972 Hammes B65D 39/082
220/601
- 3,827,595 A * 8/1974 Reynolds B29C 41/20
220/288
- 3,889,839 A * 6/1975 Simon B65D 1/16
220/675

(Continued)

Primary Examiner — Shannon W Morgan

(74) *Attorney, Agent, or Firm* — Thomas W. Galvani, P.C.; Thomas W. Galvani

(57) **CLAIM**

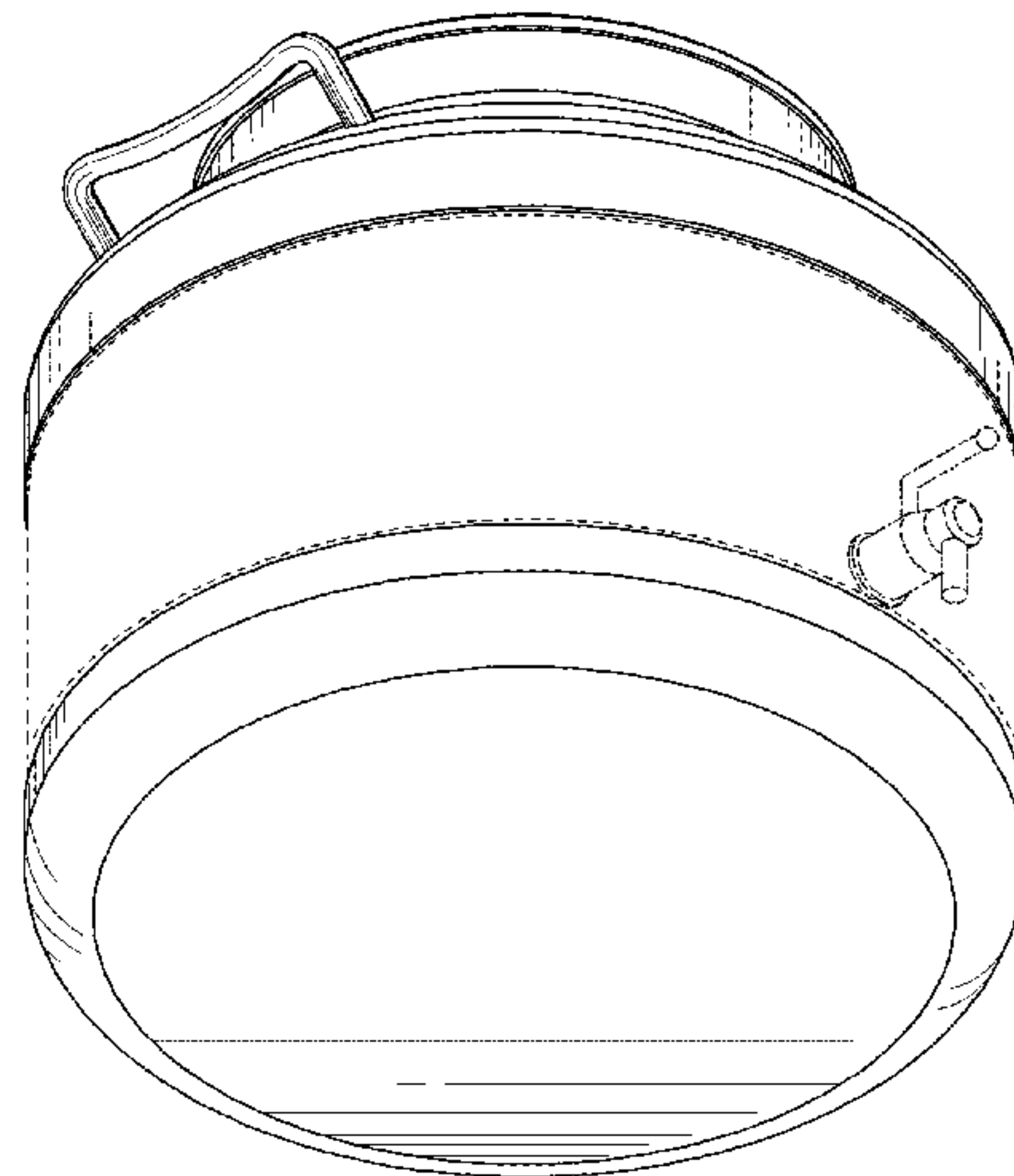
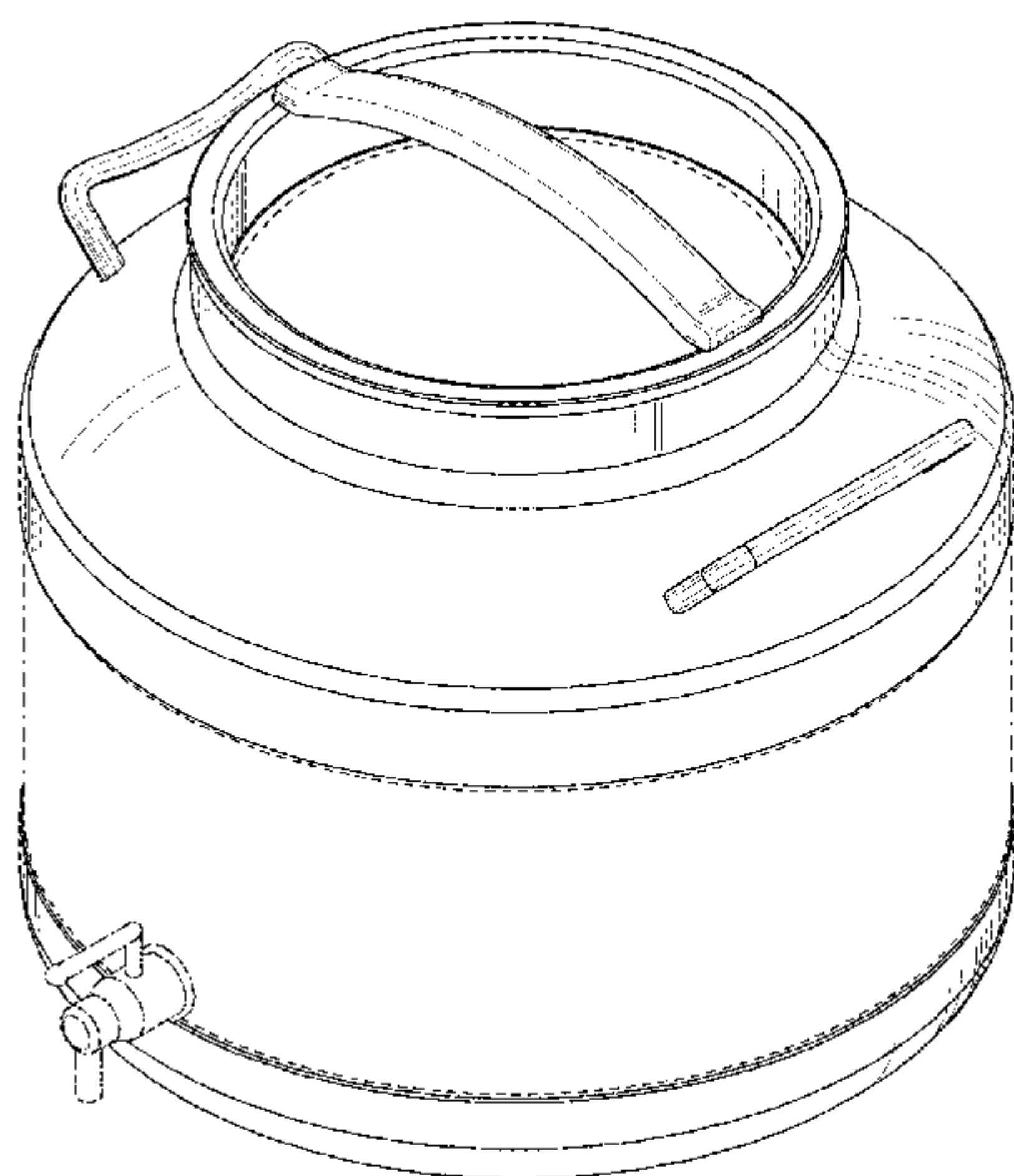
The ornamental design for a liquid container, as shown and described.

DESCRIPTION

FIG. 1 is a front perspective view of a liquid container shown in accordance with my new design;
 FIG. 2 is a rear perspective view of the liquid container shown in FIG. 1;
 FIG. 3 is a front elevation view of the liquid container shown in FIG. 1;
 FIG. 4 is a rear elevation view of the liquid container shown in FIG. 1;
 FIG. 5 is a right side elevation view of the liquid container shown in FIG. 1;
 FIG. 6 is a left side elevation view of the liquid container shown in FIG. 1;
 FIG. 7 is a top plan view of the liquid container shown in FIG. 1;
 FIG. 8 is a bottom plan view of the liquid container shown in FIG. 1; and,
 FIG. 9 is a bottom perspective view of the liquid container shown in FIG. 1.

The dash-dash lines immediately adjacent to claimed subject matter in the figures depict a boundary of the liquid container that forms no part of the claimed design. The remaining dot-dash-dash lines in the figures depict portions of the liquid container that form no part of the claimed design. None of the broken lines form part of the claimed design.

1 Claim, 9 Drawing Sheets



(56)

References Cited

U.S. PATENT DOCUMENTS

3,910,461 A * 10/1975 Eager B65D 11/16
 220/592.19
 D243,155 S * 1/1977 Bonnett D34/39
 4,033,473 A * 7/1977 Raley B65D 1/16
 220/604
 D248,440 S * 7/1978 Bryan D7/313
 D256,651 S * 9/1980 Leung D7/608
 D259,012 S * 4/1981 Harris D7/320
 D261,088 S * 10/1981 Akimov D7/608
 4,505,408 A * 3/1985 Sagol B65D 90/14
 108/127
 4,685,598 A * 8/1987 Nezworski B67D 1/0832
 141/113
 D309,847 S * 8/1990 Scheurer D34/39
 D344,657 S * 3/1994 Knopp D7/313
 D358,289 S * 5/1995 Thies D7/306
 D372,172 S * 7/1996 Morales Segura D7/608
 D391,450 S * 3/1998 Rausch D7/605
 D429,943 S * 8/2000 Yu D7/306
 6,176,387 B1 * 1/2001 Boler F25D 3/06
 220/23.88
 D479,951 S * 9/2003 Segura D7/608

D526,827 S * 8/2006 Allen D7/306
 D529,749 S * 10/2006 Allen D7/306
 D530,141 S * 10/2006 Wilgus D7/313
 D540,626 S * 4/2007 Janky D7/608
 D584,109 S * 1/2009 Krog D7/313
 D593,354 S * 6/2009 Romandy D7/306
 D609,521 S * 2/2010 Holsinger D7/313
 D613,561 S * 4/2010 Burgess D7/608
 D622,089 S * 8/2010 Daniel D7/313
 D643,694 S * 8/2011 Lu D7/629
 D660,657 S * 5/2012 Picozza D7/629
 D669,740 S * 10/2012 Ruotsalainen D7/615
 D686,888 S * 7/2013 Meyers D7/629
 D720,173 S * 12/2014 Polakoff D7/306
 D731,225 S * 6/2015 Peterson D7/306
 D747,970 S * 1/2016 Maas D7/306
 D766,668 S * 9/2016 Garcia D7/608
 D786,002 S * 5/2017 Archer D7/306
 D798,118 S * 9/2017 Karagkouni D7/608
 2005/0039819 A1 * 2/2005 Peltier B67D 3/0038
 141/314
 2011/0186585 A1 * 8/2011 Lu A47J 41/00
 220/575
 2017/0275063 A1 * 9/2017 Melzer F16K 1/14

* cited by examiner

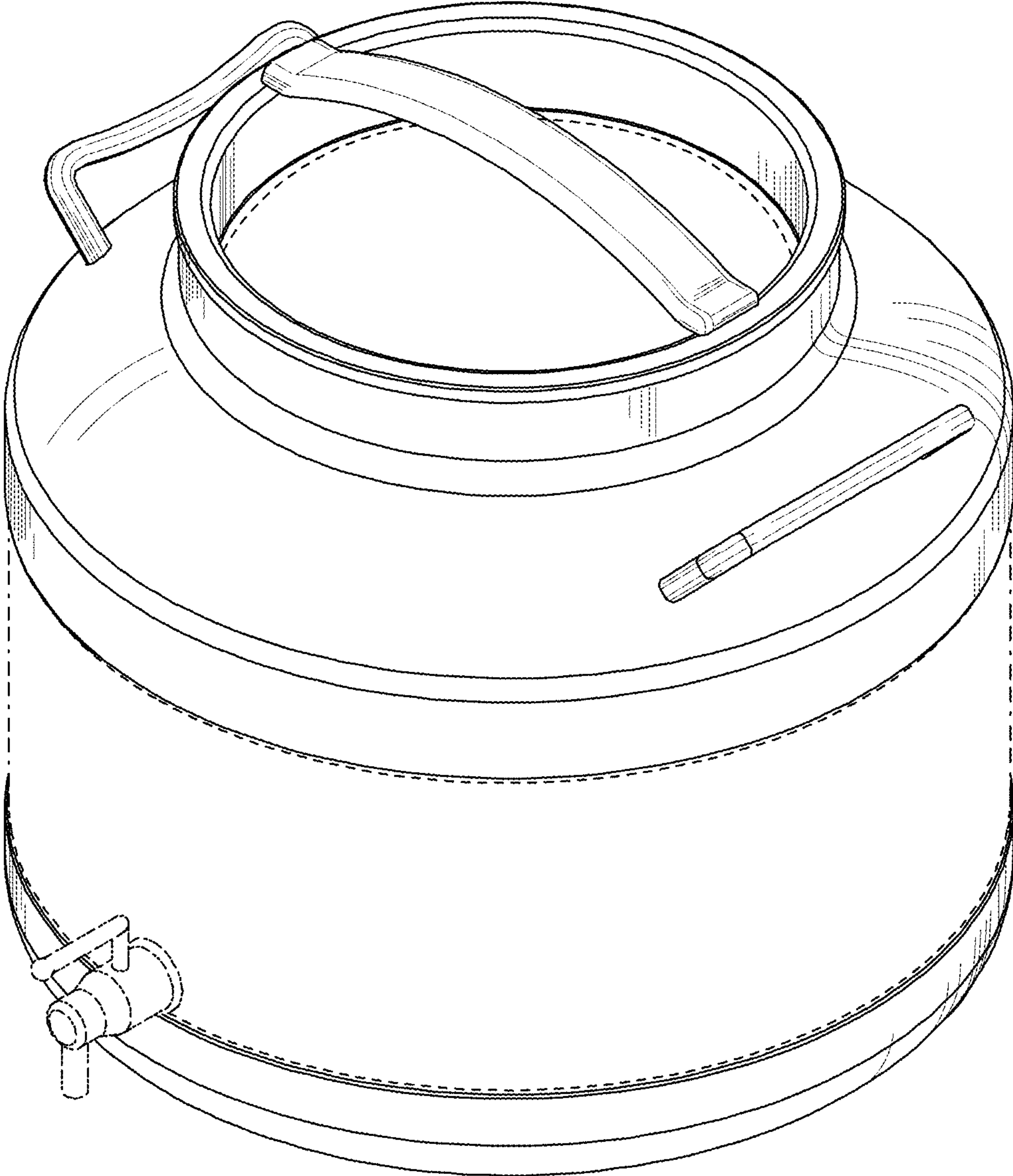


FIG. 1

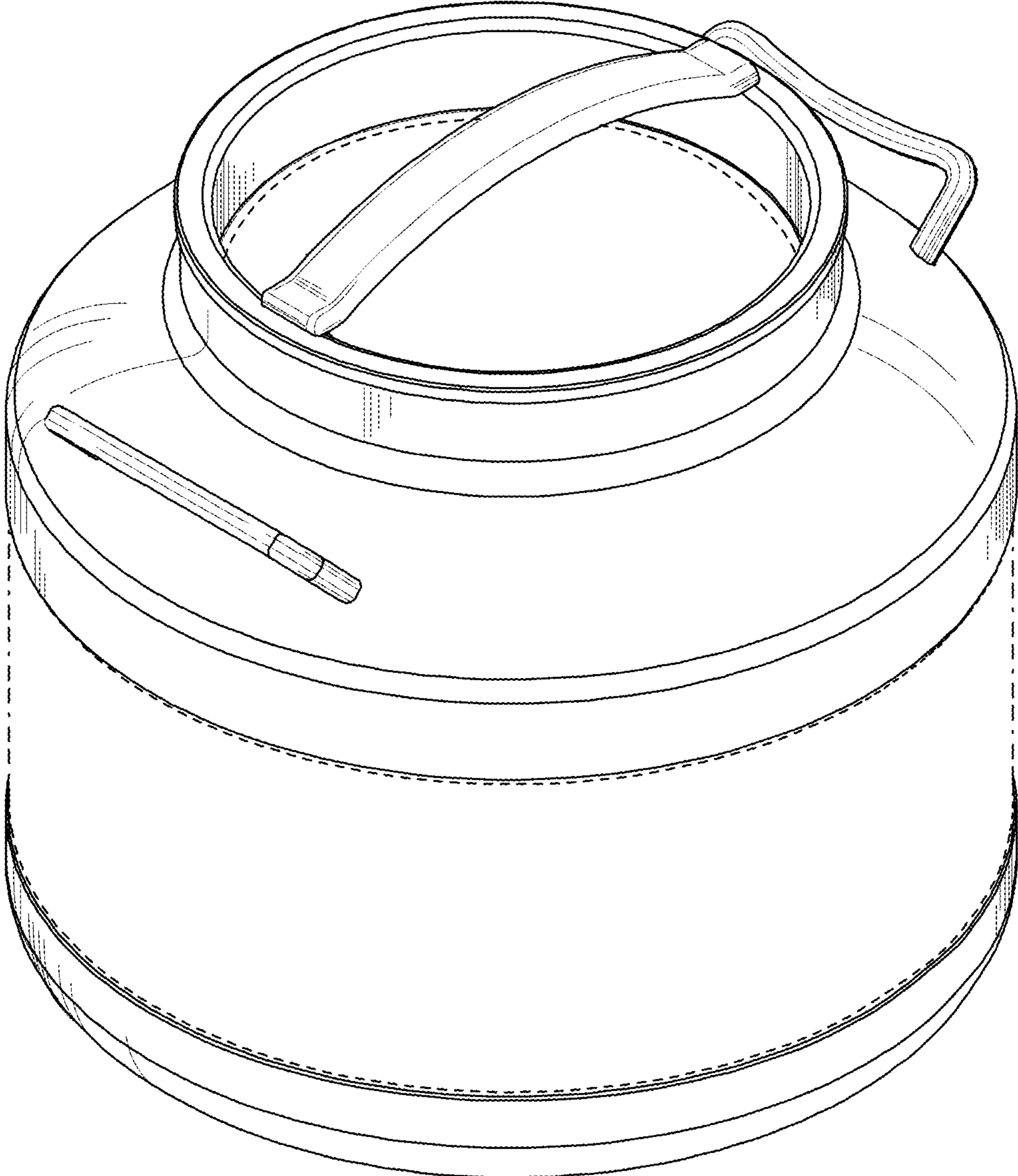


FIG. 2

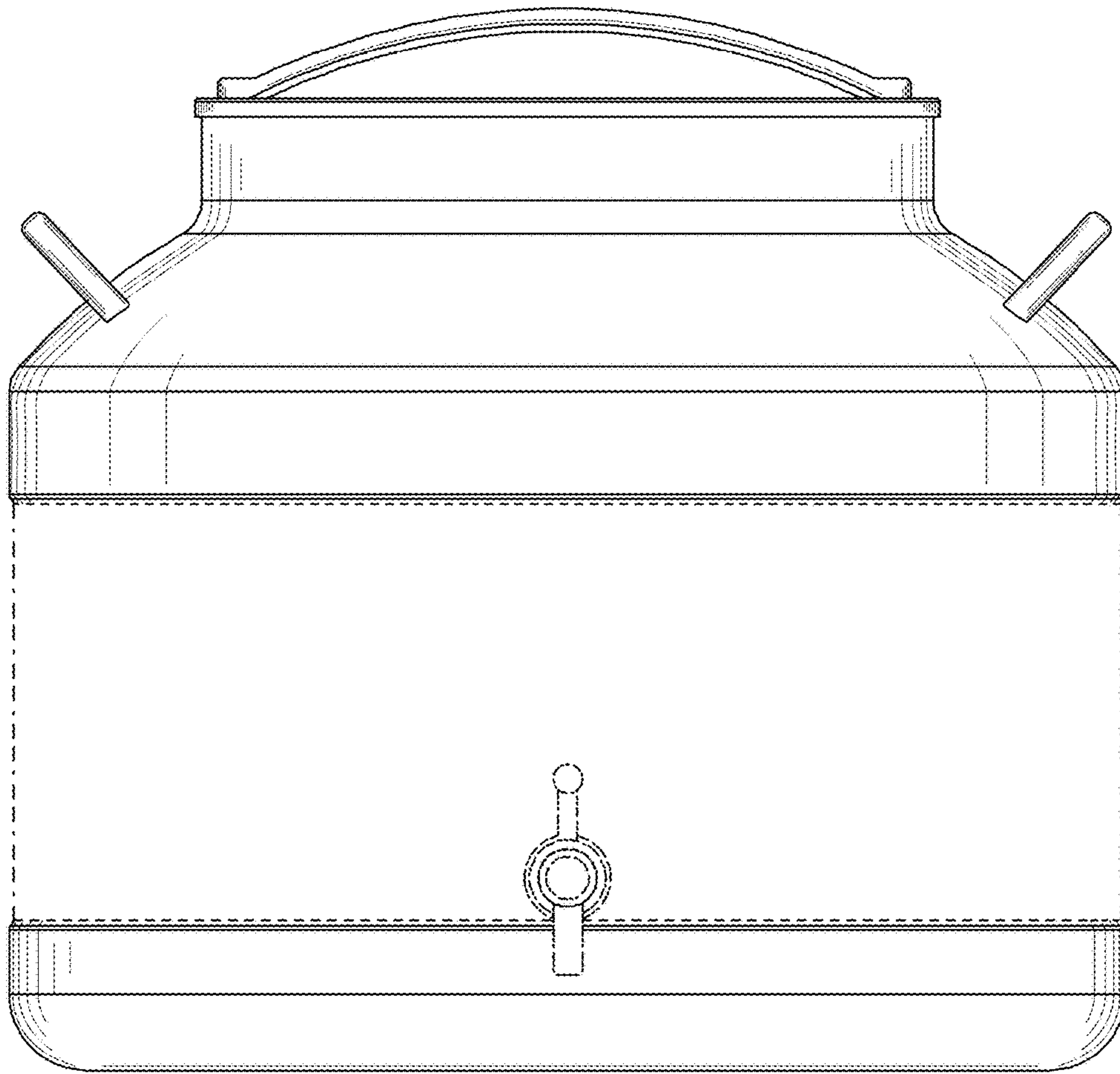


FIG. 3

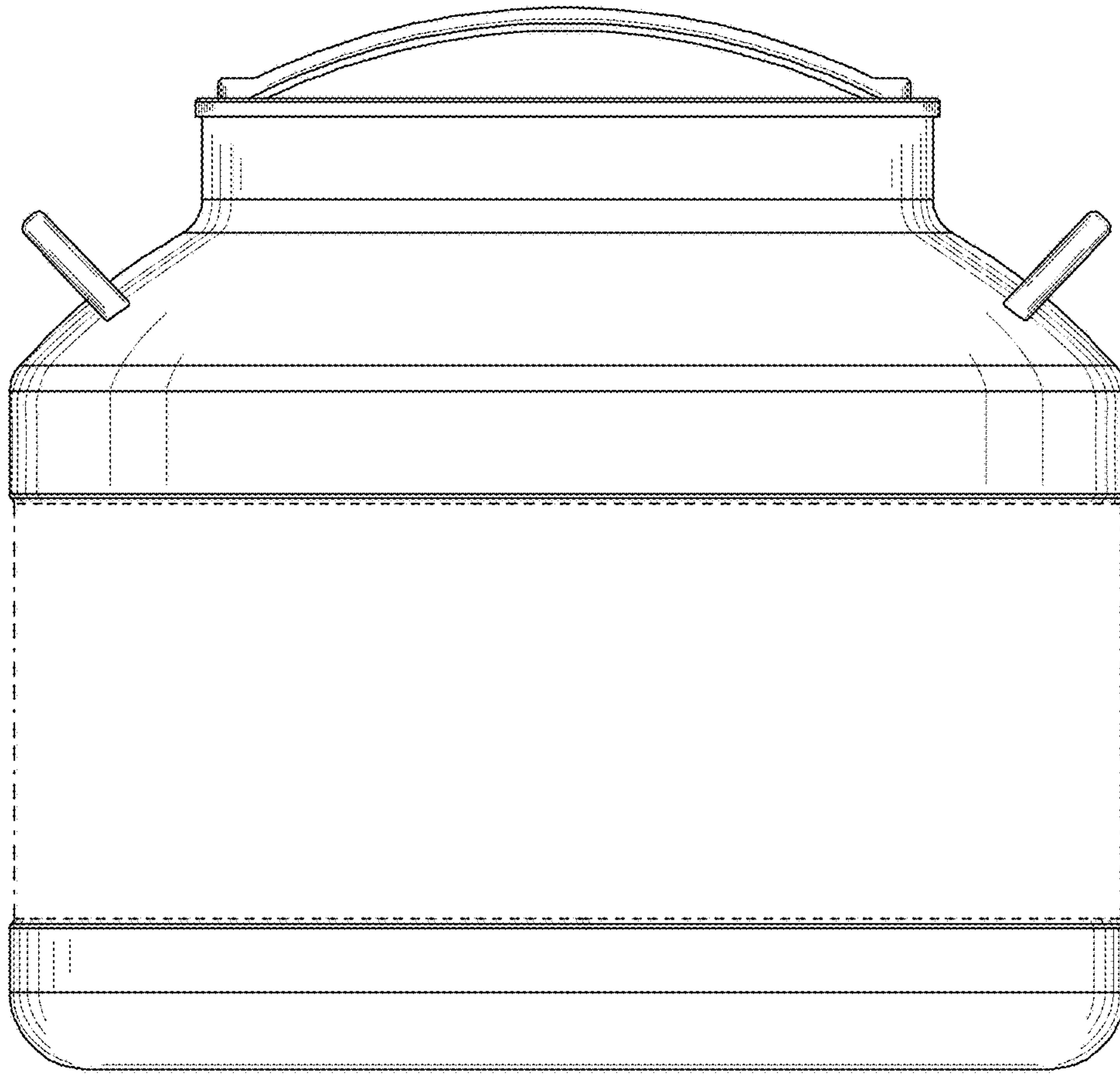


FIG. 4

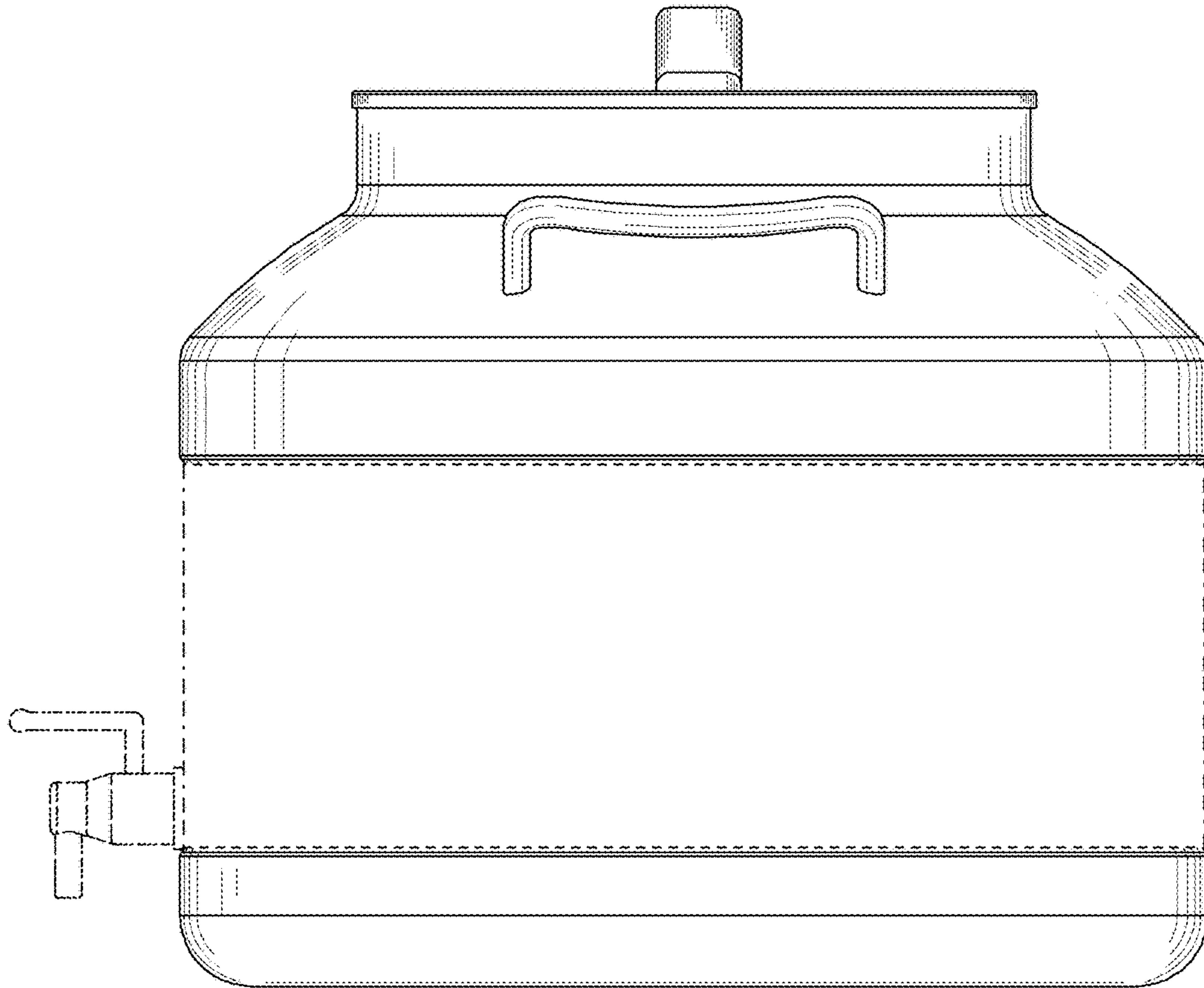


FIG. 5

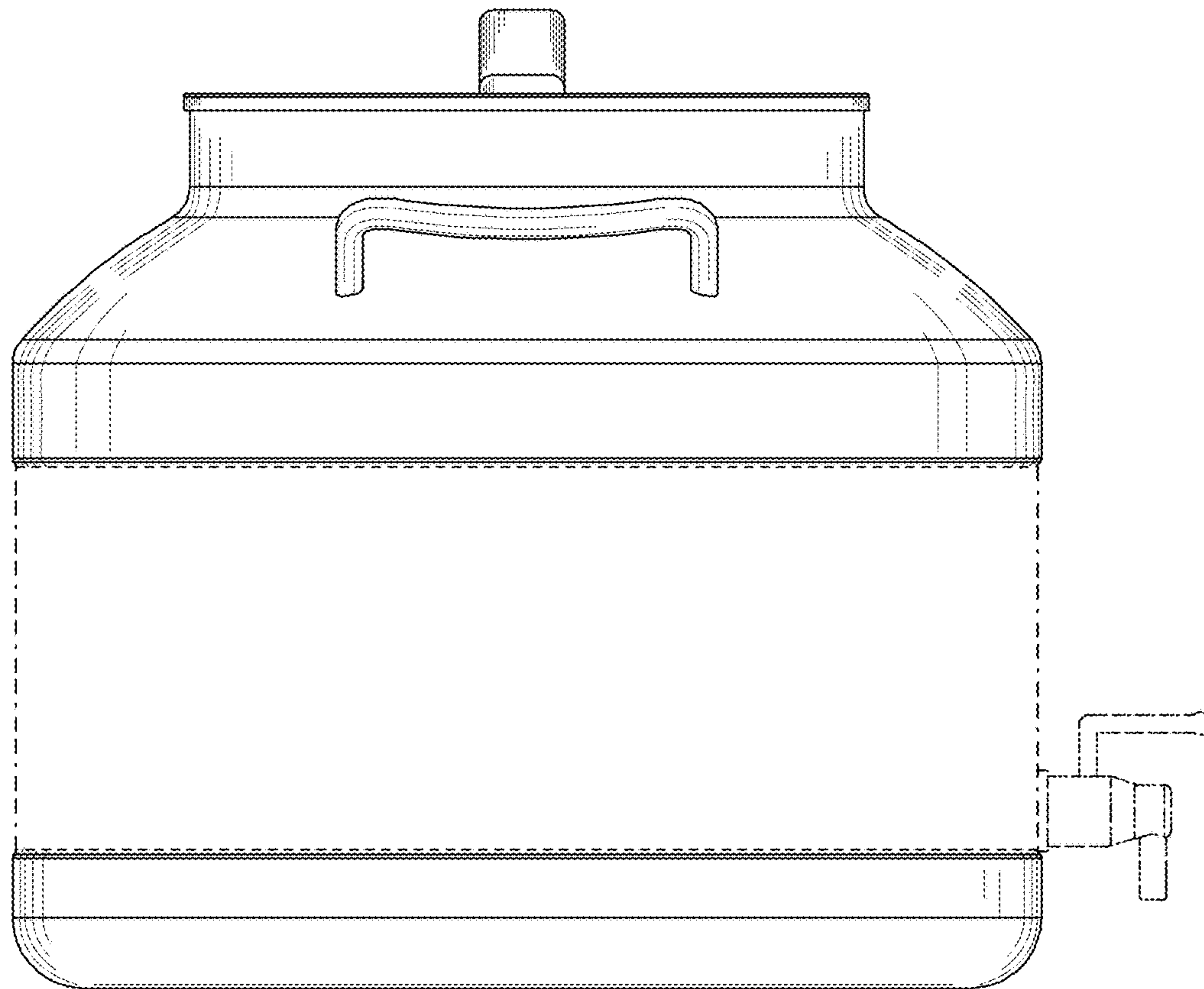


FIG. 6

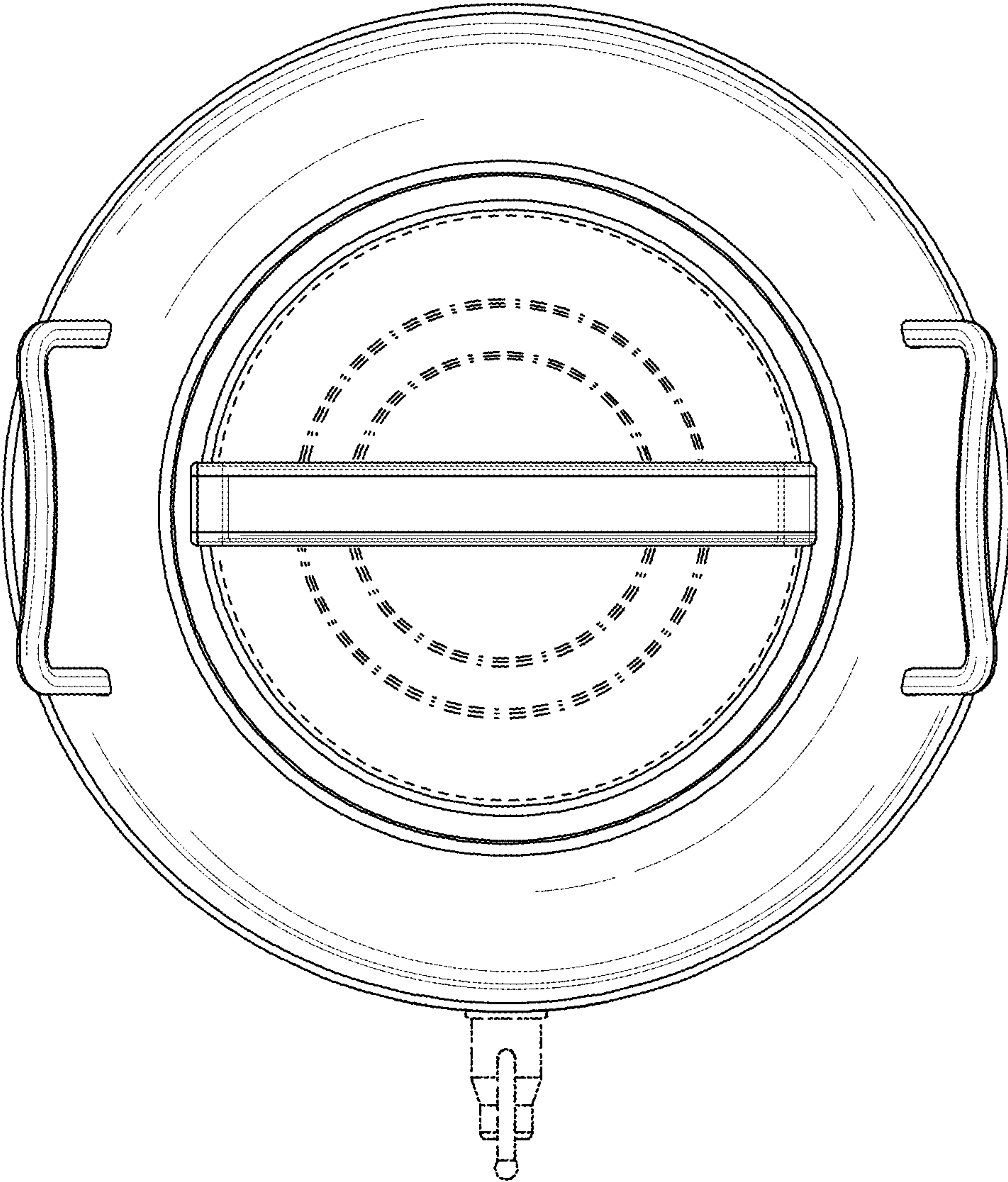


FIG. 7

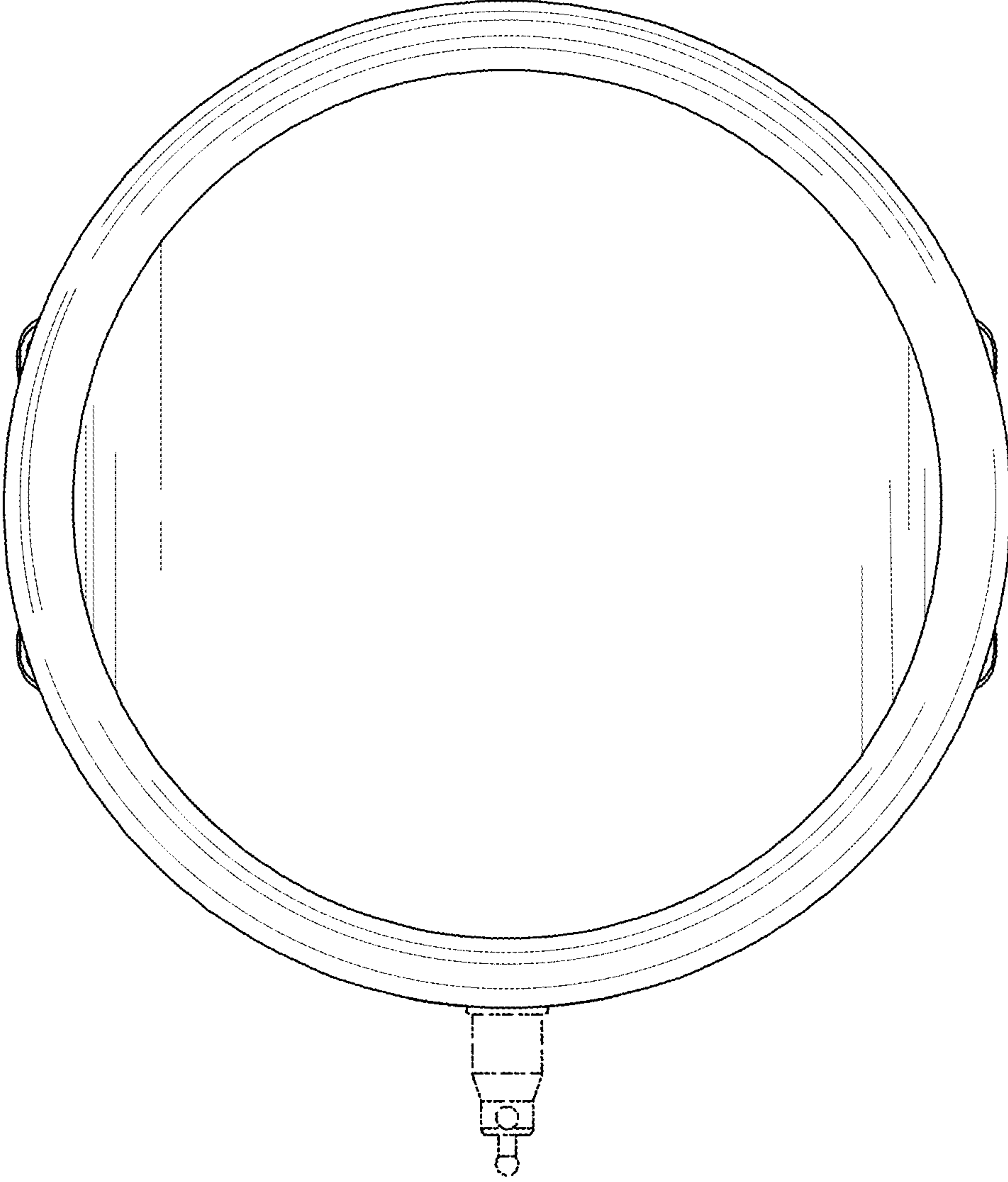


FIG. 8

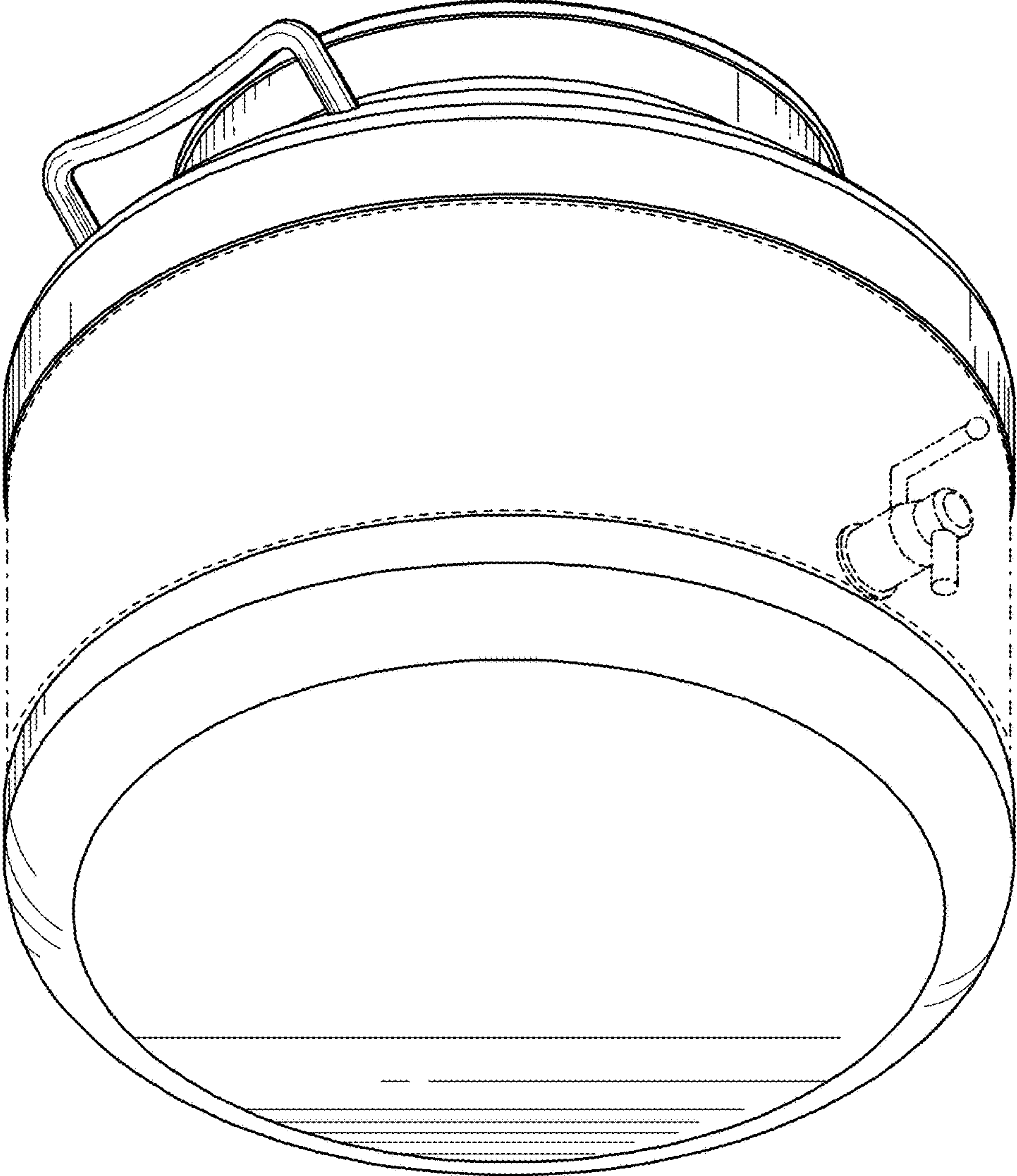


FIG. 9