



US00D828101S

(12) **United States Design Patent** (10) **Patent No.:** **US D828,101 S**  
**Kasha** (45) **Date of Patent:** **\*\* Sep. 11, 2018**

(54) **DOUBLE-WALLED VESSEL**  
(71) Applicant: **Adam Kasha**, Ann Arbor, MI (US)  
(72) Inventor: **Adam Kasha**, Ann Arbor, MI (US)  
(\*\*) Term: **15 Years**  
(21) Appl. No.: **29/613,679**  
(22) Filed: **Aug. 11, 2017**  
(51) **LOC (11) Cl.** ..... **07-01**  
(52) **U.S. Cl.**  
USPC ..... **D7/584**  
(58) **Field of Classification Search**  
USPC ..... D7/500, 584  
CPC ..... A47G 19/2205; A47G 2019/122  
See application file for complete search history.

D742,176 S \* 11/2015 Thun ..... D7/509  
D743,208 S \* 11/2015 Thun ..... D7/509  
D750,938 S \* 3/2016 Thun ..... D7/523  
9,440,835 B2 \* 9/2016 Springer ..... A47G 19/2205  
D777,521 S \* 1/2017 Struggl ..... D7/534  
D793,170 S \* 8/2017 Karussi ..... D7/538  
D794,393 S \* 8/2017 Karussi ..... D7/538  
D794,394 S \* 8/2017 Karussi ..... D7/538  
D806,478 S \* 1/2018 Struggl ..... D7/523  
D806,481 S \* 1/2018 Hinze ..... D7/558  
D807,121 S \* 1/2018 Mittal ..... D7/587  
2010/0288776 A1 \* 11/2010 Bodum ..... A47J 41/0077  
220/592.2  
2014/0041751 A1 \* 2/2014 Stern ..... A47G 19/2205  
141/1  
2014/0124470 A1 \* 5/2014 Alberts ..... A47G 19/2288  
215/12.1  
2017/0188729 A1 \* 7/2017 Fenelon ..... A47G 19/2205

\* cited by examiner

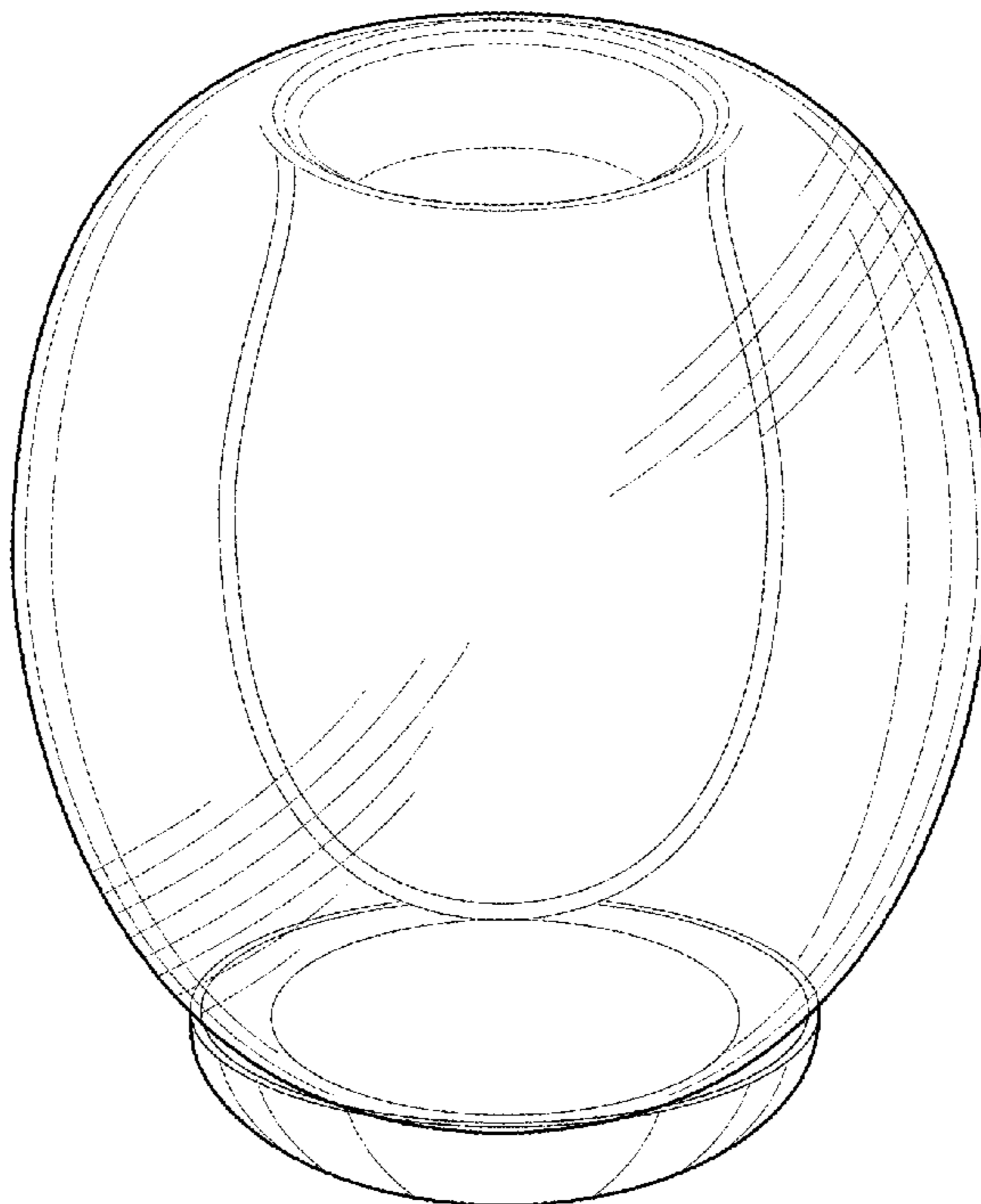
*Primary Examiner* — Cynthia R Underwood  
(74) *Attorney, Agent, or Firm* — John G. Posa; Belzer P.C.

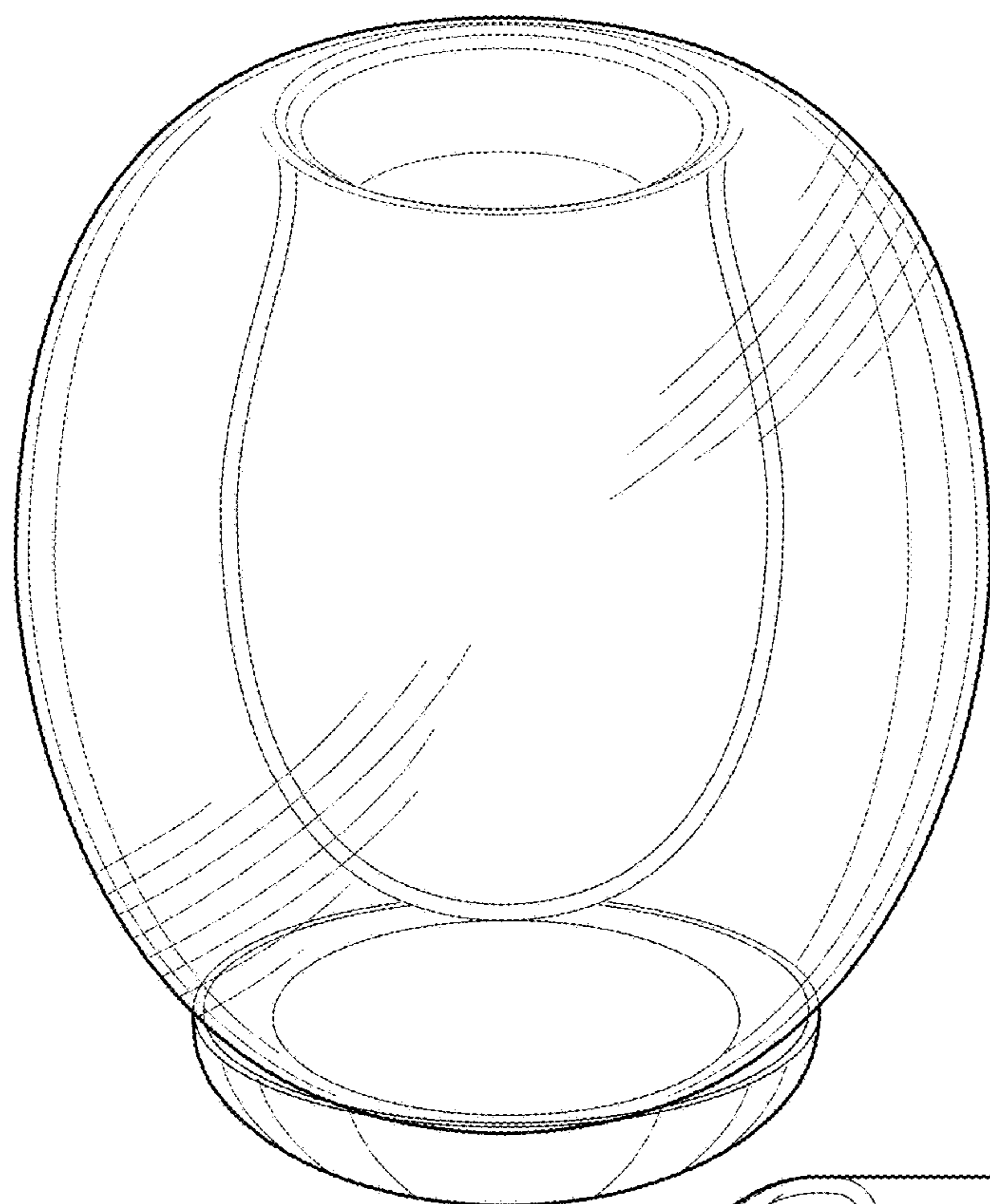
(56) **References Cited**  
U.S. PATENT DOCUMENTS  
5,813,638 A \* 9/1998 Morris ..... A47G 19/08  
220/574  
6,314,911 B1 \* 11/2001 Kaytovich ..... A01K 5/0114  
119/61.5  
D597,792 S \* 8/2009 Lion ..... D7/509  
D599,619 S \* 9/2009 Bodum ..... D7/509  
D622,548 S \* 8/2010 Jensen ..... D7/509  
D623,897 S \* 9/2010 Ross ..... D7/507  
D626,790 S \* 11/2010 Gibson ..... D7/325  
D631,294 S \* 1/2011 Ross ..... D7/507  
D637,456 S \* 5/2011 Creech ..... D7/509  
D650,633 S \* 12/2011 Birgers ..... D7/509  
D651,467 S \* 1/2012 Bodum ..... D7/509  
D698,603 S \* 2/2014 Huckestein ..... D7/509

(57) **CLAIM**  
The ornamental design for a double-walled vessel, as shown and described.

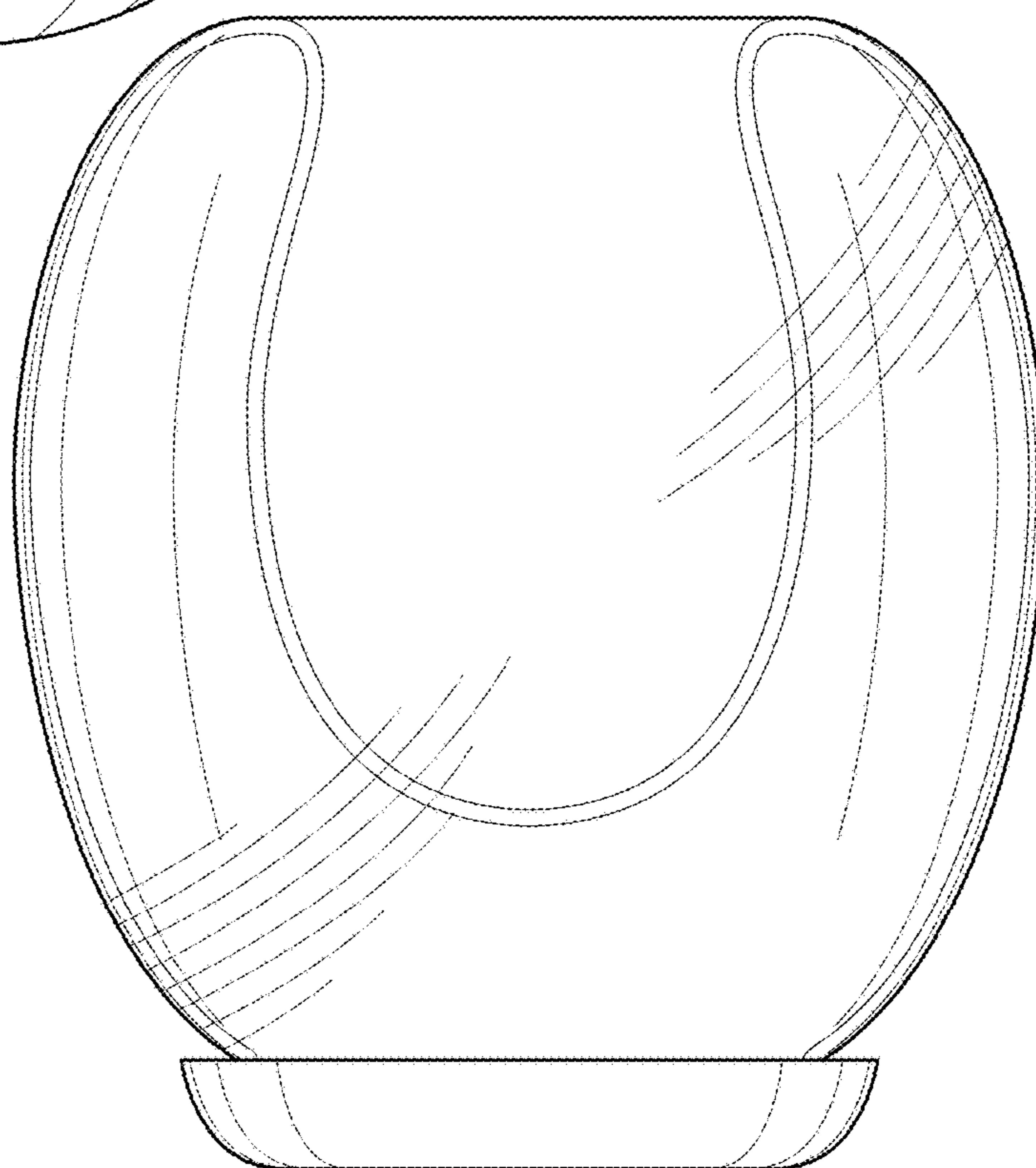
**DESCRIPTION**  
FIG. 1 is an oblique view of the claimed design seen from a first perspective;  
FIG. 2 is an side view of the claimed design;  
FIG. 3 is a top view of the claimed design; and,  
FIG. 4 is a bottom view of the claimed design.

**1 Claim, 2 Drawing Sheets**



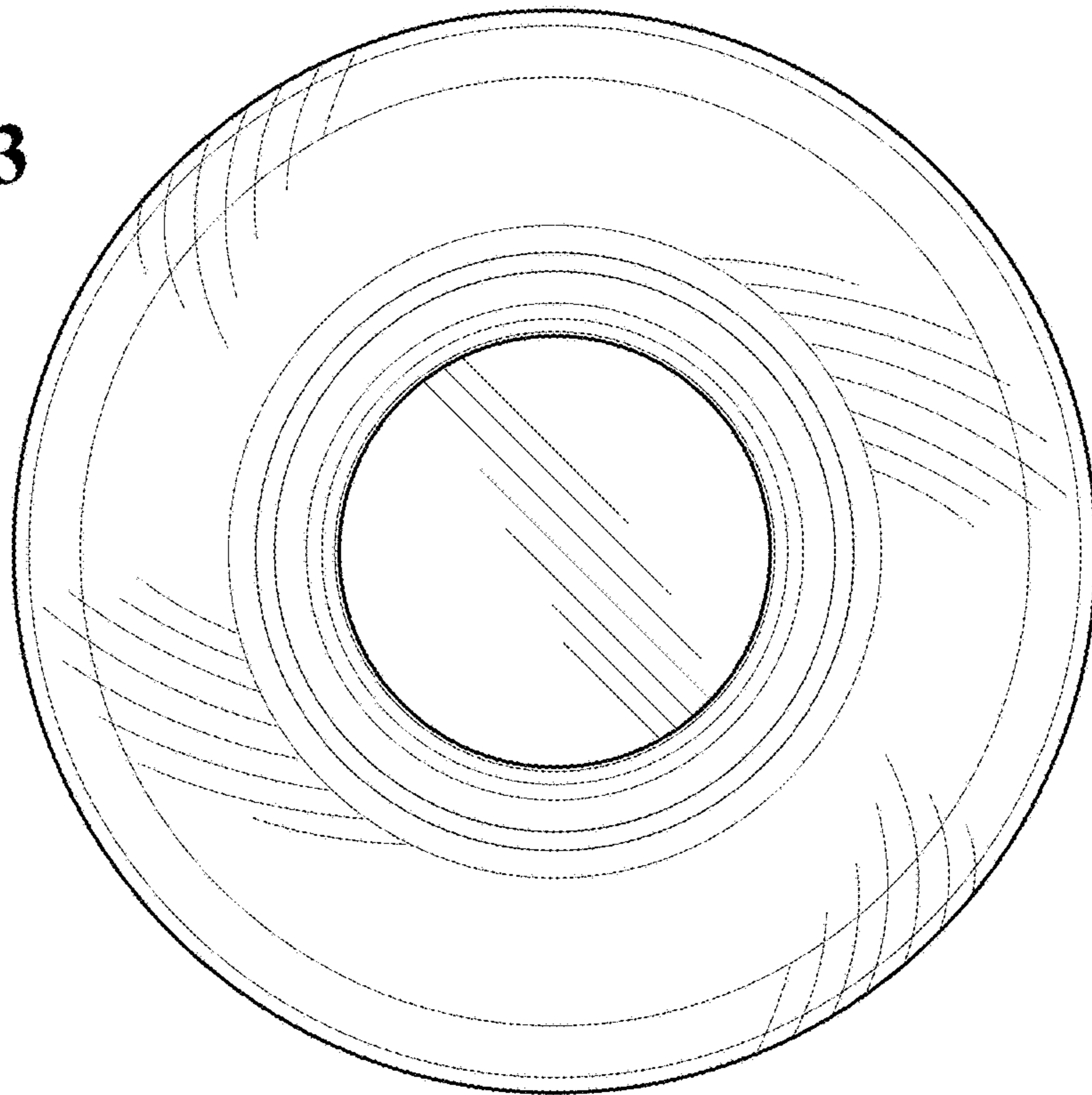


**FIG. 1**



**FIG. 2**

**FIG. 3**



**FIG. 4**

