



US00D828094S

(12) **United States Design Patent**  
**Jackson et al.**

(10) **Patent No.:** **US D828,094 S**

(45) **Date of Patent:** **\*\* Sep. 11, 2018**

(54) **BOTTLE WITH CAP**

(71) Applicants: **Reuben Jackson**, Hacienda Heights, CA (US); **Peter David Dalton**, Los Angeles, CA (US)

(72) Inventors: **Reuben Jackson**, Hacienda Heights, CA (US); **Peter David Dalton**, Los Angeles, CA (US)

(73) Assignee: **Sun Coast Merchandise Corp.**, Commerce, CA (US)

(\*\*) Term: **15 Years**

(21) Appl. No.: **29/611,195**

(22) Filed: **Jul. 19, 2017**

(51) **LOC (11) Cl.** ..... **07-01**

(52) **U.S. Cl.**

USPC ..... **D7/511**; D7/510; D7/532; D9/502

(58) **Field of Classification Search**

USPC ..... D7/507, 509, 510, 511, 523, 533, 534, D7/535, 536, 608, 392.1, 396.2, 515, 516, D7/376, 690, 300.2, 213, 397; D8/107, D8/300; D24/197; D9/517, 532, 556, D9/570, 569, 559, 516, 503, 502, 500, D9/538; 220/710.5, 592.16, 592.17

CPC .... D47G 19/22; B65D 1/265; A47G 19/2266; A47J 41/02; A45F 3/16

See application file for complete search history.

(56) **References Cited**

**U.S. PATENT DOCUMENTS**

D49,978 S *	12/1916	Altenberg	.....	D7/608
D113,229 S *	2/1939	Karstadt	.....	D7/608
D403,243 S *	12/1998	Takeuchi	.....	D9/532
D404,306 S *	1/1999	Steinke	.....	D9/502
D468,588 S *	1/2003	Norris	.....	D7/510
D489,225 S *	5/2004	Leinenweber	.....	D7/510

D539,607 S *	4/2007	Lapsker	.....	D7/510
D558,524 S *	1/2008	Schreitmueller	.....	D7/500
D565,352 S *	4/2008	Williams	.....	D7/510
D571,152 S *	6/2008	Tien	.....	D7/509
D593,802 S *	6/2009	Baek	.....	D7/509
D611,815 S *	3/2010	Pearson	.....	D7/523
D619,417 S *	7/2010	Goto	.....	D7/510
D619,418 S *	7/2010	Nezu	.....	D7/510
D624,362 S *	9/2010	Wahl	.....	D7/392.1
D633,797 S *	3/2011	Cresswell	.....	D9/500
D644,489 S *	9/2011	Trombly	.....	D7/510
D672,609 S *	12/2012	Aziz	.....	D7/507
8,474,648 B1 *	7/2013	Ritzen	.....	A47J 41/0088 220/212
D696,945 S *	1/2014	Newman	.....	D9/500
D698,428 S *	1/2014	Sands	.....	D23/314
D701,428 S *	3/2014	Lapsker	.....	D7/532
D702,506 S *	4/2014	Mettler	.....	D7/608
D712,255 S *	9/2014	Geis	.....	D9/436
D718,980 S *	12/2014	Lapsker	.....	D7/532
D719,780 S *	12/2014	Sullivan	.....	D7/392.1
D724,385 S *	3/2015	Hurley	.....	D7/511

(Continued)

*Primary Examiner* — Marianne Pandozzi

*Assistant Examiner* — Jae Liang

(74) *Attorney, Agent, or Firm* — Steven E. Shapiro

(57) **CLAIM**

The ornamental design for a bottle with cap, as shown and described.

**DESCRIPTION**

FIG. 1 is a top perspective view of a bottle with cap showing our new design;

FIG. 2 is a bottom perspective view of a bottle with cap;

FIG. 3 is a front view of the bottle with cap;

FIG. 4 is a rear view of the bottle with cap;

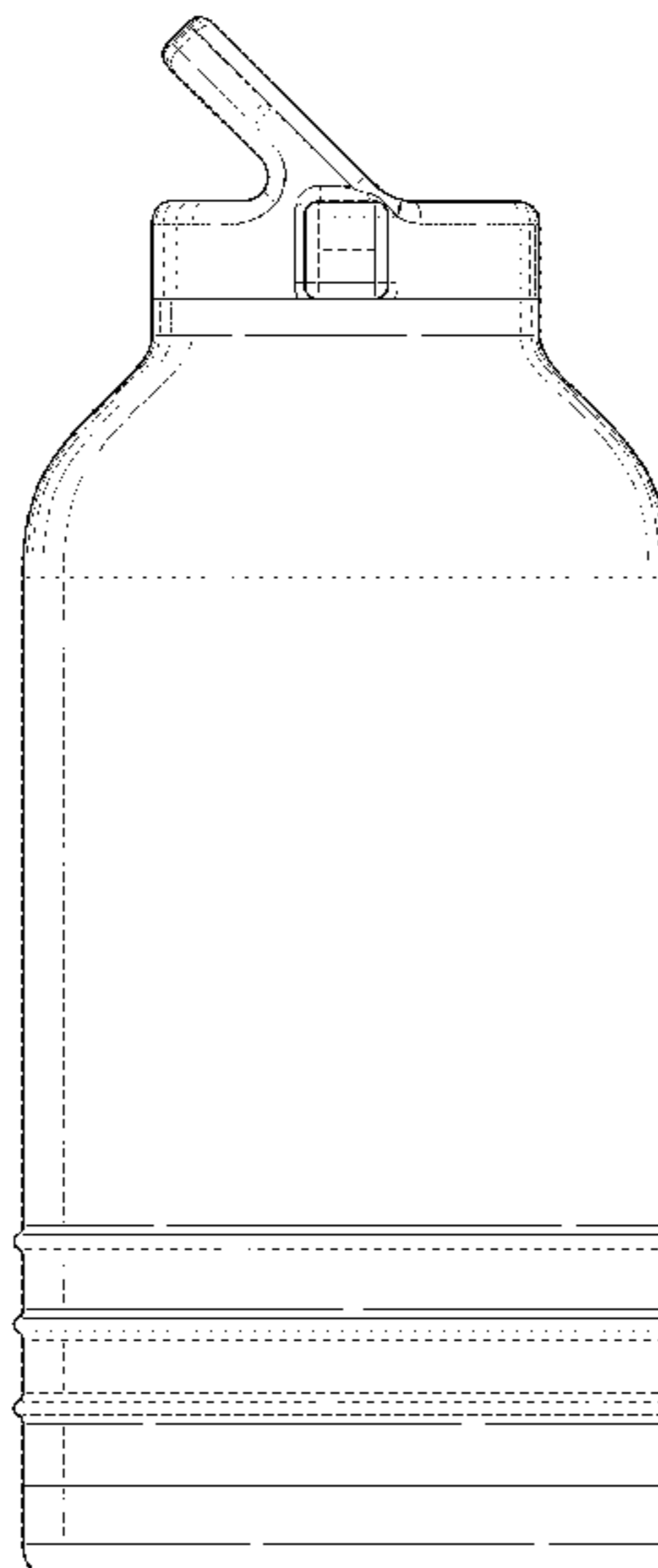
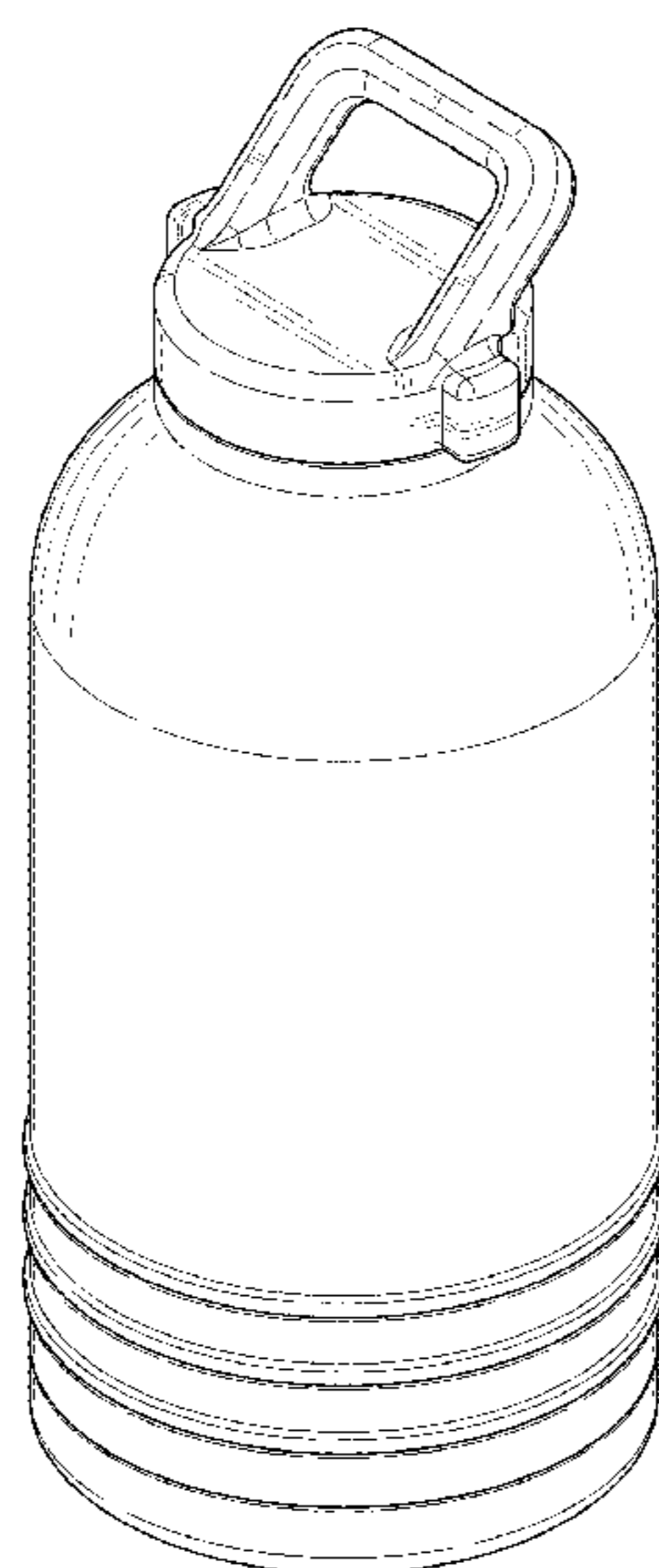
FIG. 5 is a left side view of the bottle with cap;

FIG. 6 is a right side view of the bottle with cap;

FIG. 7 is a top view of the bottle with cap; and,

FIG. 8 is a bottom view of the bottle with cap.

**1 Claim, 8 Drawing Sheets**



(56)

**References Cited**

U.S. PATENT DOCUMENTS

D731,856 S \* 6/2015 Hill ..... A47G 19/2266  
D743,206 S \* 11/2015 Pendleton ..... D7/532  
D775,899 S \* 1/2017 Maple ..... D7/532  
D789,148 S \* 6/2017 Hornung ..... D7/507  
D790,920 S \* 7/2017 Goodwin ..... D7/510  
D796,265 S \* 9/2017 Lapsker ..... D7/510  
D804,904 S \* 12/2017 Noveletsky ..... D7/510  
D808,731 S \* 1/2018 Boroski ..... D7/608  
D811,162 S \* 2/2018 Rane ..... D7/396.2  
D811,818 S \* 3/2018 Wu ..... D7/510  
D812,428 S \* 3/2018 Wu ..... D7/510  
D812,970 S \* 3/2018 Rane ..... D7/396.2  
D816,398 S \* 5/2018 Fleischhut ..... D7/392.1  
D817,085 S \* 5/2018 Davis ..... D7/392.1  
D818,317 S \* 5/2018 Fu ..... D7/510  
D818,774 S \* 5/2018 Stover ..... D7/510  
D819,410 S \* 6/2018 Seiders ..... D7/608  
2012/0187075 A1 \* 7/2012 El-Saden ..... B65D 47/066  
215/389  
2016/0003615 A1 \* 1/2016 Biswas ..... G01F 23/0076  
702/151  
2016/0213177 A1 \* 7/2016 Maple ..... A47G 19/2227  
2017/0313478 A1 \* 11/2017 El-Saden ..... B65D 47/065

\* cited by examiner

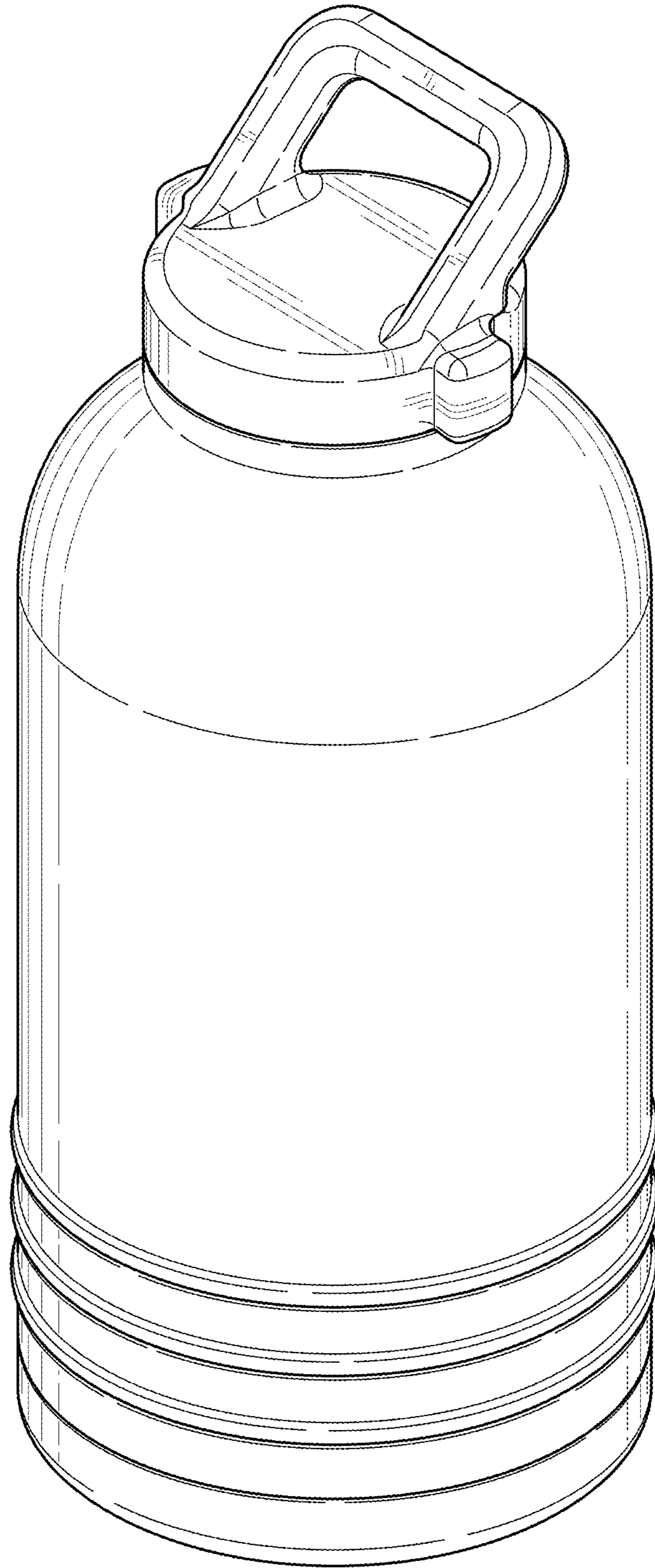


FIG. 1

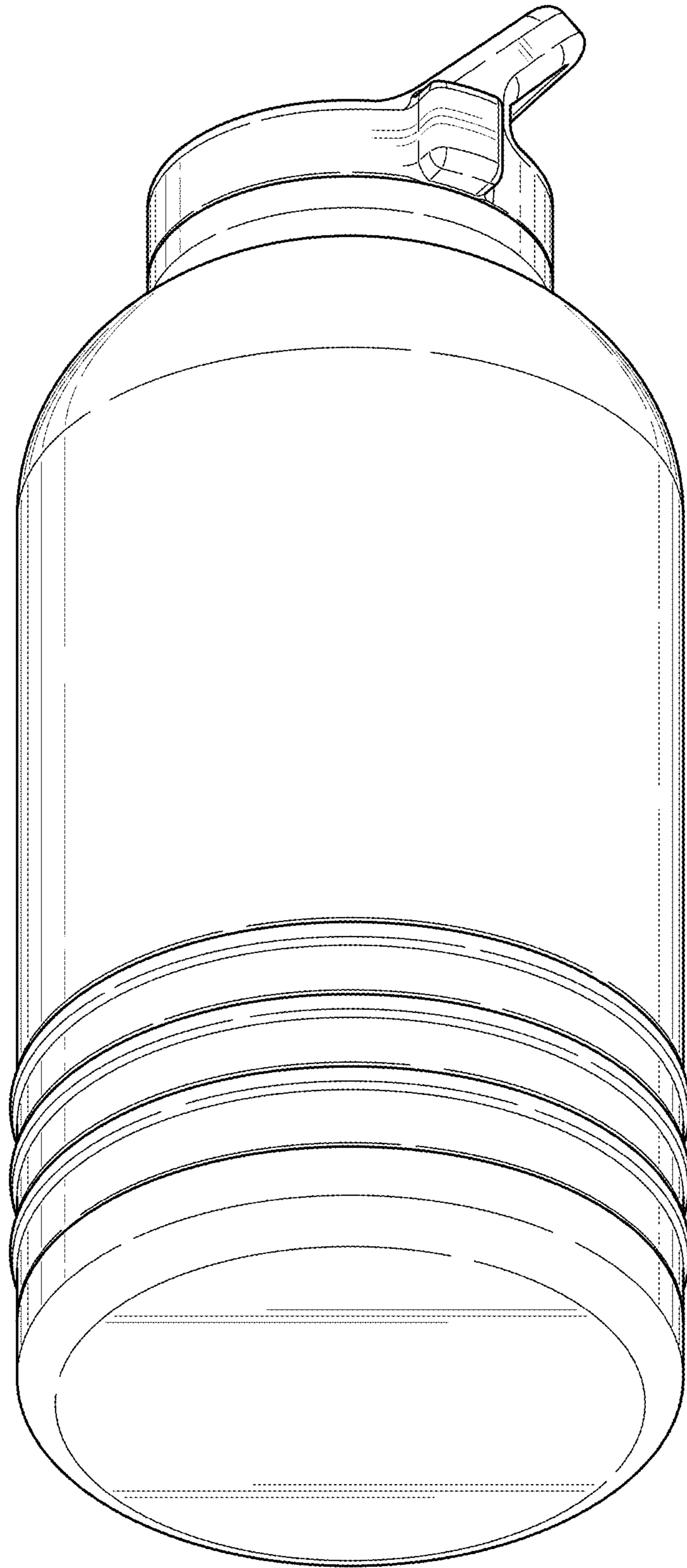


FIG. 2

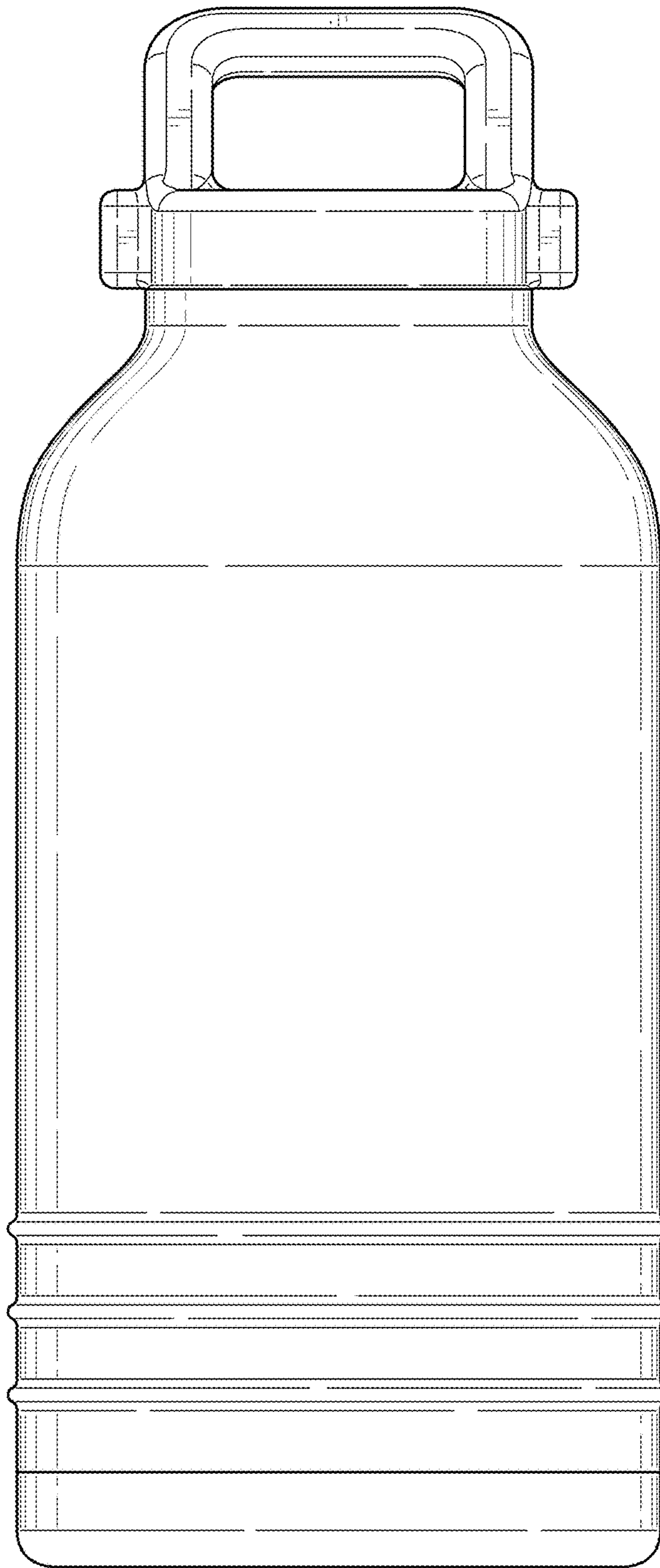


FIG. 3

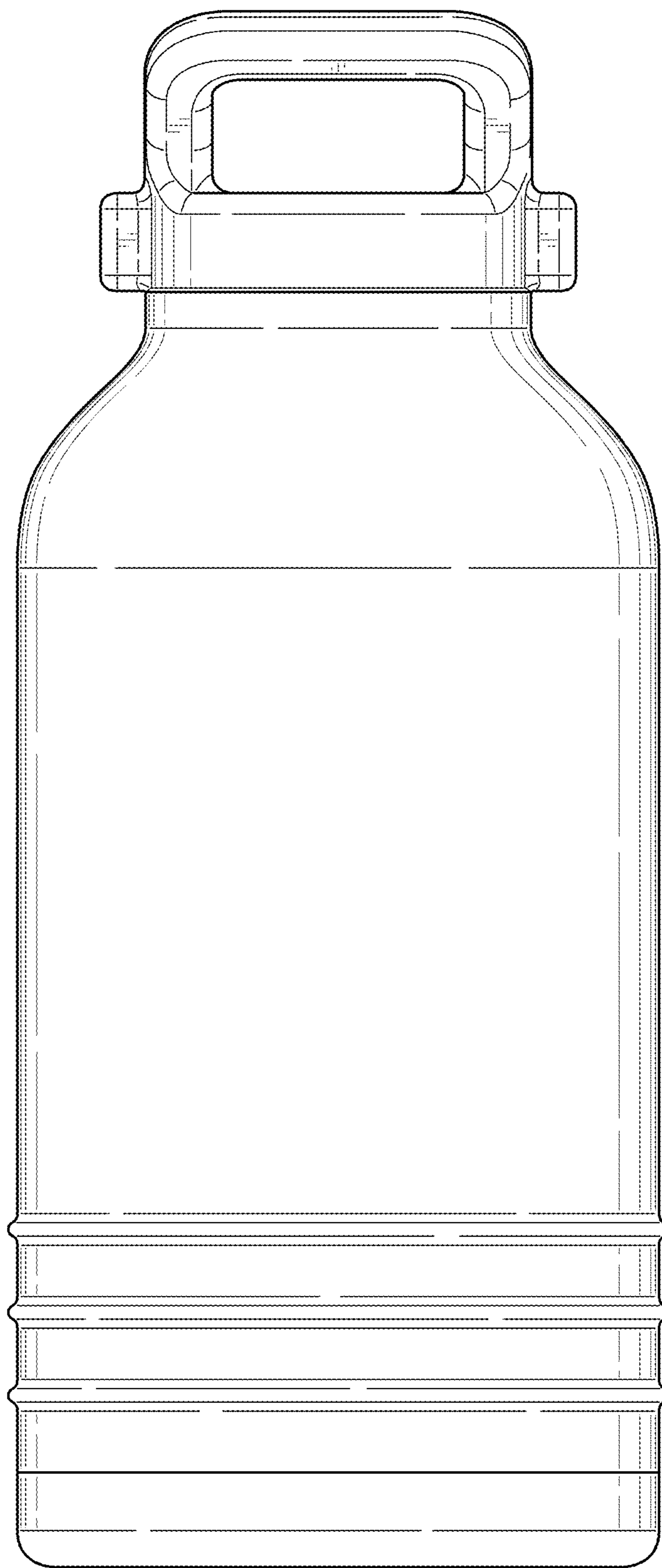


FIG. 4

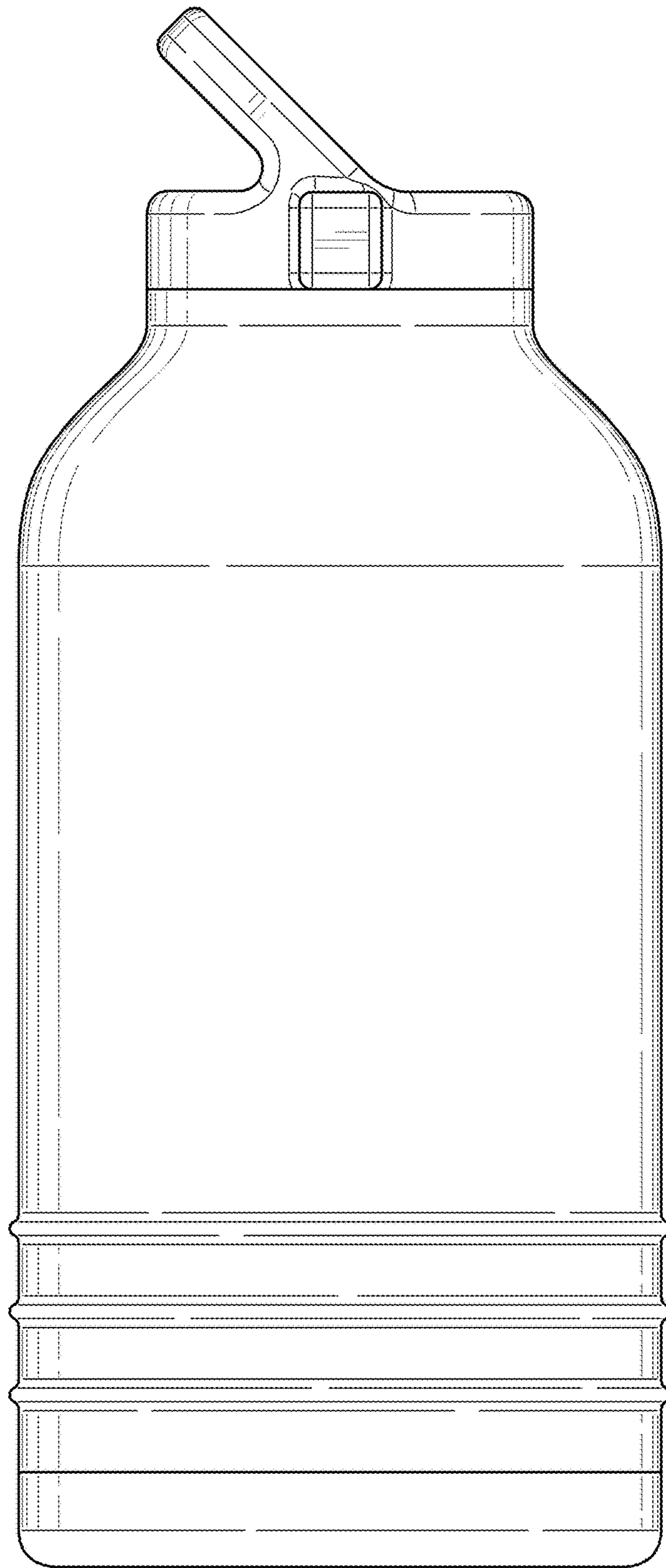


FIG. 5

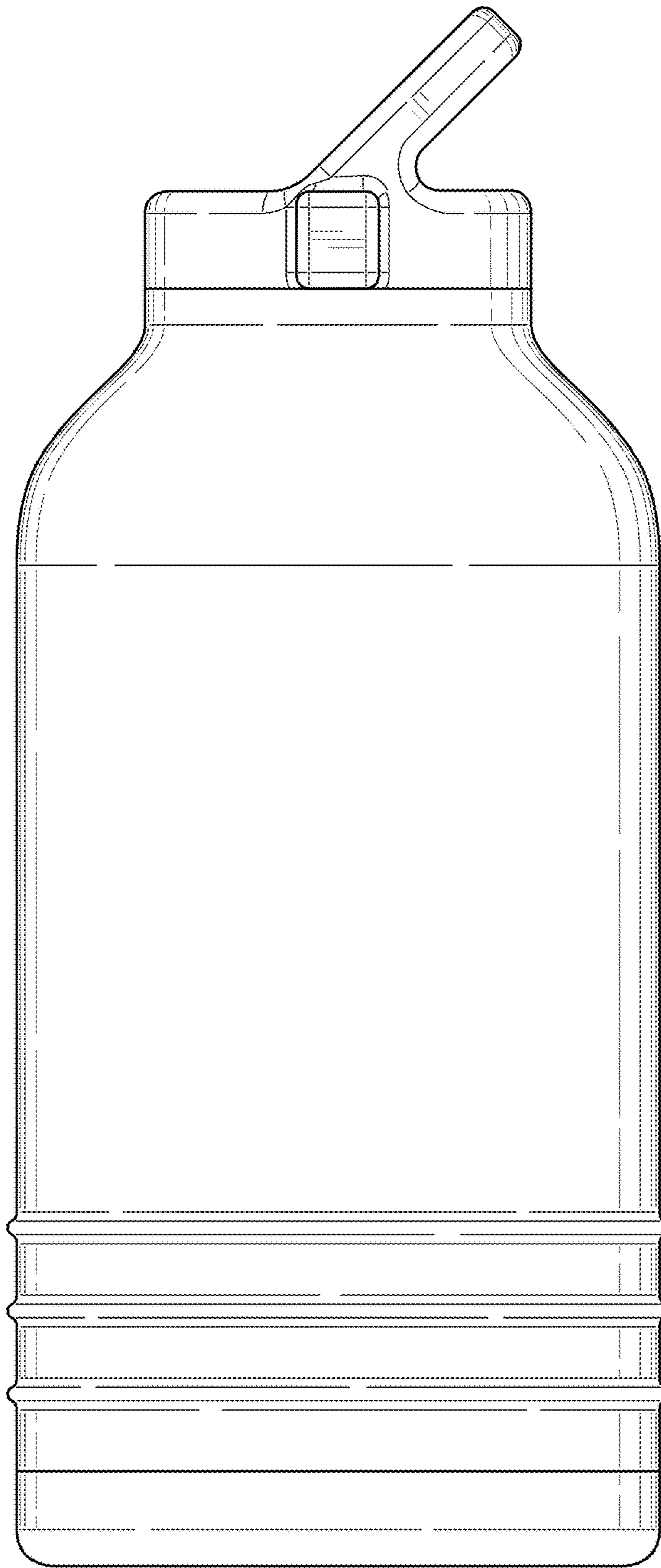


FIG. 6



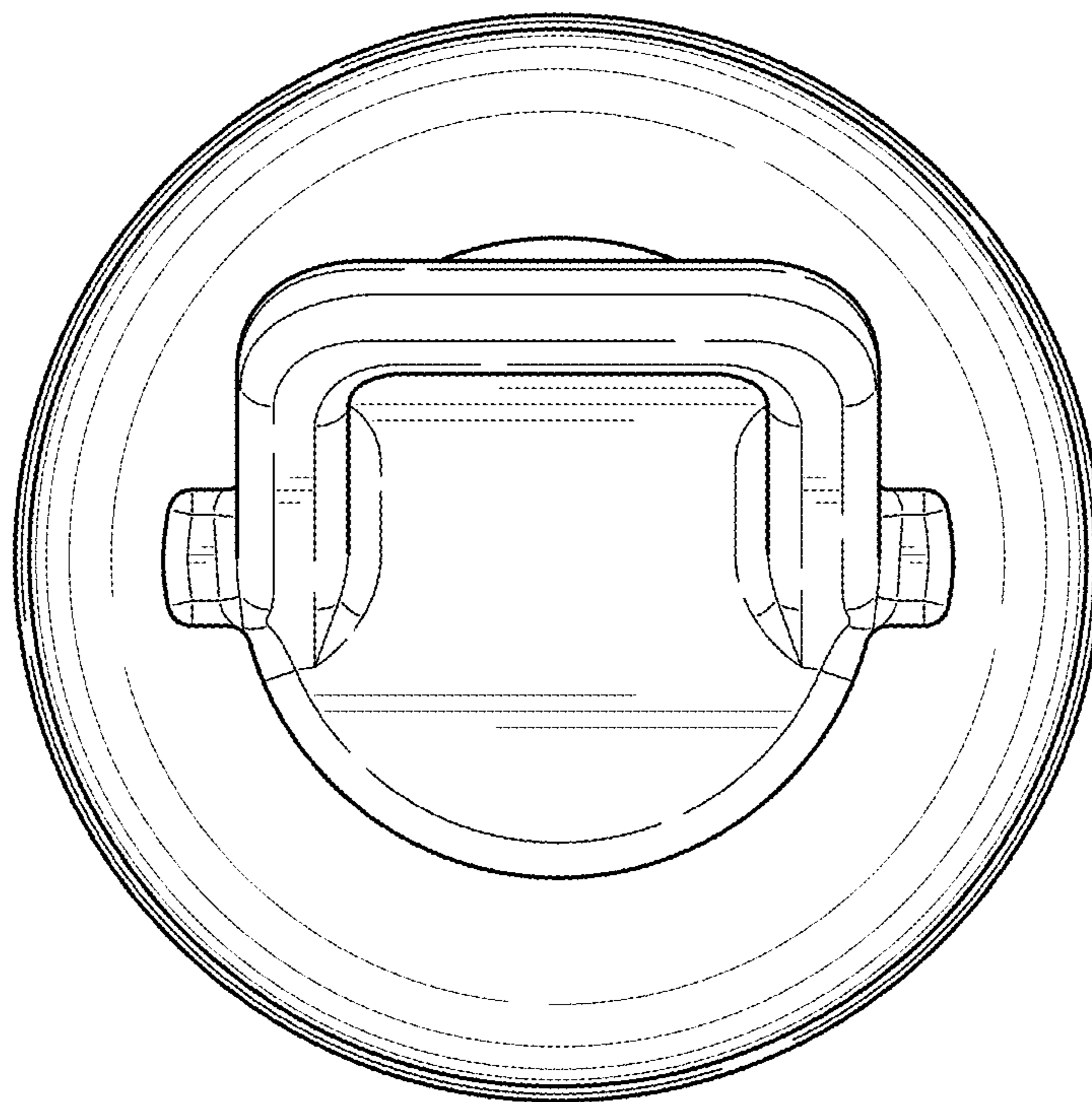


FIG. 7

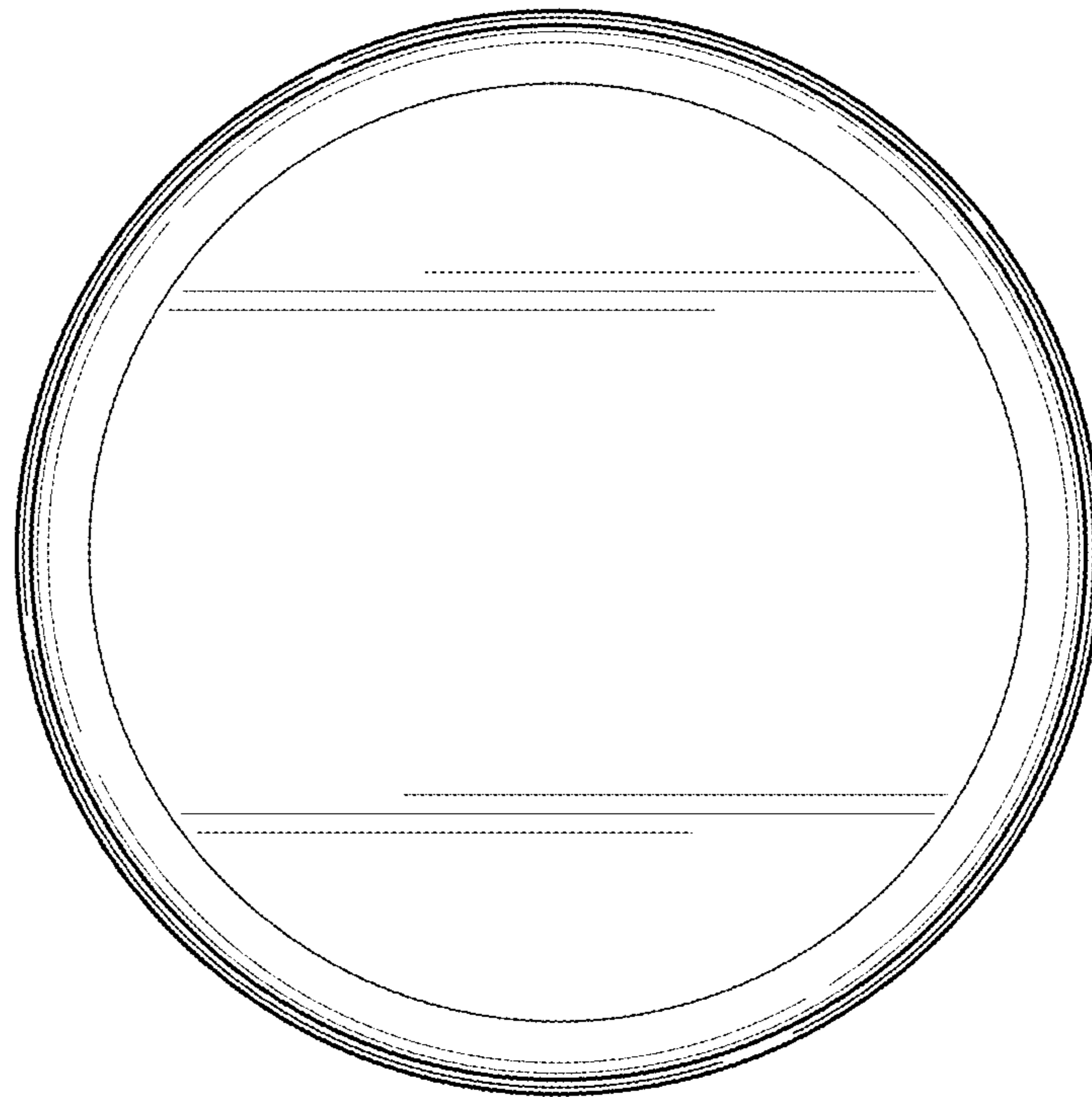


FIG. 8