



US00D828093S

(12) **United States Design Patent**  
**Chitayat et al.**

(10) **Patent No.:** **US D828,093 S**

(45) **Date of Patent:** **\*\* Sep. 11, 2018**

(54) **BEVERAGE BOTTLE**

(71) Applicant: **FC Brands Limited**, Central Hong Kong (HK)

(72) Inventors: **David Denny Chitayat**, Shanghai (CN); **Pieter Schouten**, Berkeley, CA (US); **Heather Tomasetti Kauffman**, Larchmont, NY (US); **Tal Chitayat**, New York, NY (US)

(73) Assignee: **FC Brands Limited**, Central Honk Kong (HK)

(\*\*) Term: **15 Years**

(21) Appl. No.: **29/593,601**

(22) Filed: **Feb. 10, 2017**

(51) **LOC (11) Cl.** ..... **07-01**

(52) **U.S. Cl.**  
USPC ..... **D7/507; D7/523; D7/532; D7/510**

(58) **Field of Classification Search**  
USPC ..... D7/507, 509, 510, 511, 532, 527, 531, D7/392.1, 396.2, 397, 398, 514, 515, 536, D7/523; D9/500, 501, 503, 504, 505, D9/569; 220/592.16, 592.17; 215/381  
CPC ..... A47G 19/22; A47G 19/2205; A47G 19/2266; A47J 41/02; B65D 47/066  
See application file for complete search history.

(56) **References Cited**

U.S. PATENT DOCUMENTS

- 5,637,214 A \* 6/1997 Kahana ..... A47J 31/605 210/282
- 6,283,013 B1 \* 9/2001 Romandy ..... A47J 31/0636 99/319
- D560,097 S \* 1/2008 Shen ..... D7/300

- D627,604 S \* 11/2010 Eyal ..... D7/510
- D639,663 S \* 6/2011 Llerena ..... D9/504
- D644,072 S \* 8/2011 McDonald ..... D7/667
- D690,161 S \* 9/2013 Garner ..... D7/510
- D703,053 S \* 4/2014 Park ..... D9/503
- RE45,055 E \* 8/2014 Roth ..... D7/392.1
- D727,682 S \* 4/2015 Madvin ..... D7/397
- D731,244 S \* 6/2015 Kohl ..... D7/510
- D747,140 S \* 1/2016 Roth ..... D23/209
- 9,669,965 B2 \* 6/2017 Kalagher ..... B65D 81/3227
- 9,681,771 B2 \* 6/2017 Herling ..... A47J 31/18
- D793,166 S \* 8/2017 Karussi ..... D7/510
- D813,678 S \* 3/2018 Kalagher ..... D9/504
- 2014/0174965 A1 \* 6/2014 Herling ..... A47J 31/18 206/216
- 2014/0224725 A1 \* 8/2014 Uspenski ..... A47J 31/005 210/444

\* cited by examiner

*Primary Examiner* — Marianne Pandozzi

*Assistant Examiner* — Jae Liang

(74) *Attorney, Agent, or Firm* — Pierce Atwood LLP

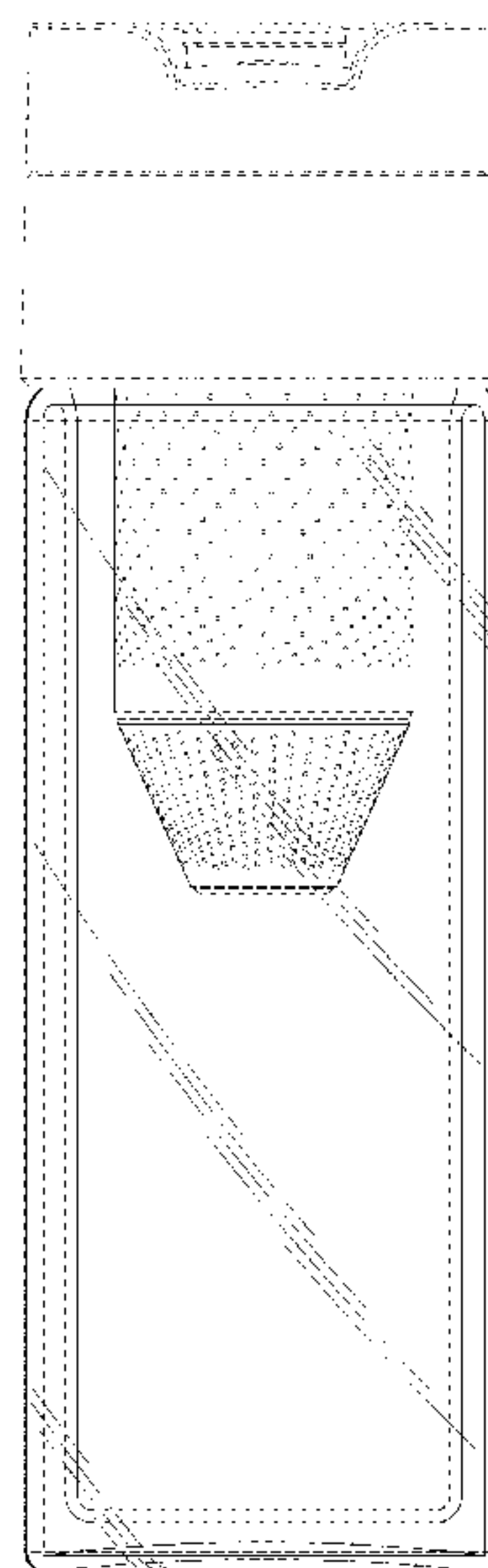
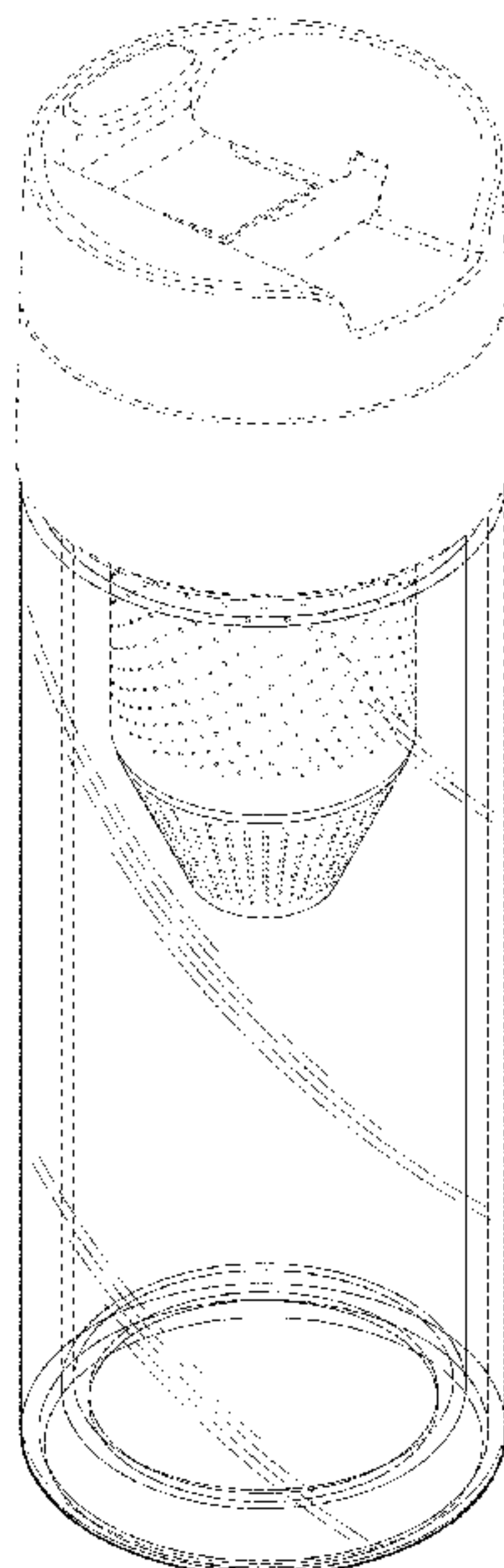
(57) **CLAIM**

The ornamental design for a beverage bottle, as shown and described.

**DESCRIPTION**

FIG. 1 is a perspective view of a beverage bottle showing our new design;  
 FIG. 2 is a right side elevation view thereof;  
 FIG. 3 is a left side elevation view thereof;  
 FIG. 4 is a rear elevation view thereof;  
 FIG. 5 is a front elevation view thereof;  
 FIG. 6 is the top plan view thereof; and,  
 FIG. 7 is the bottom plan view thereof.  
 The broken lines in the drawings depict portions of the beverage bottle that form no part of the claimed design.

**1 Claim, 6 Drawing Sheets**



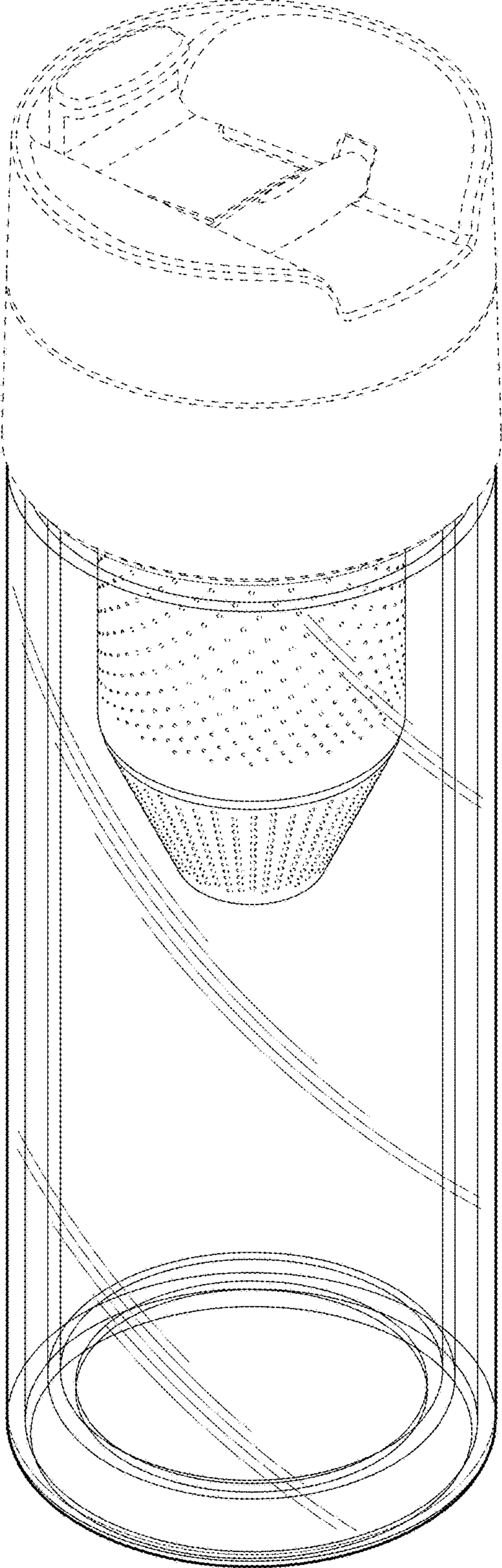


FIG. 1

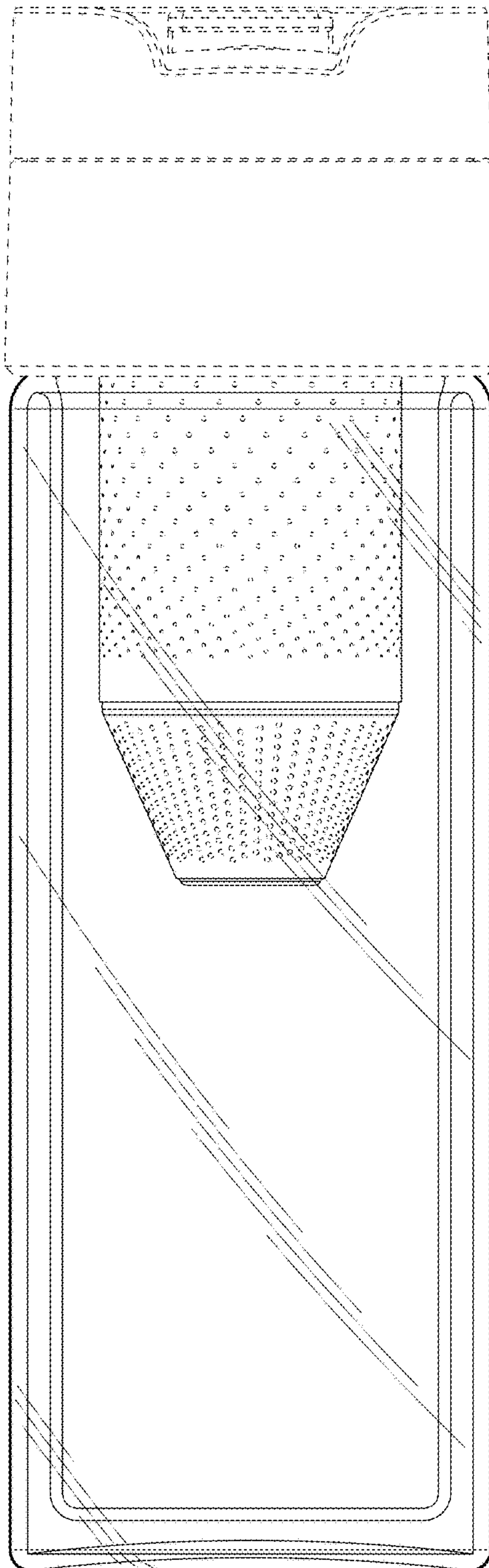


FIG. 2



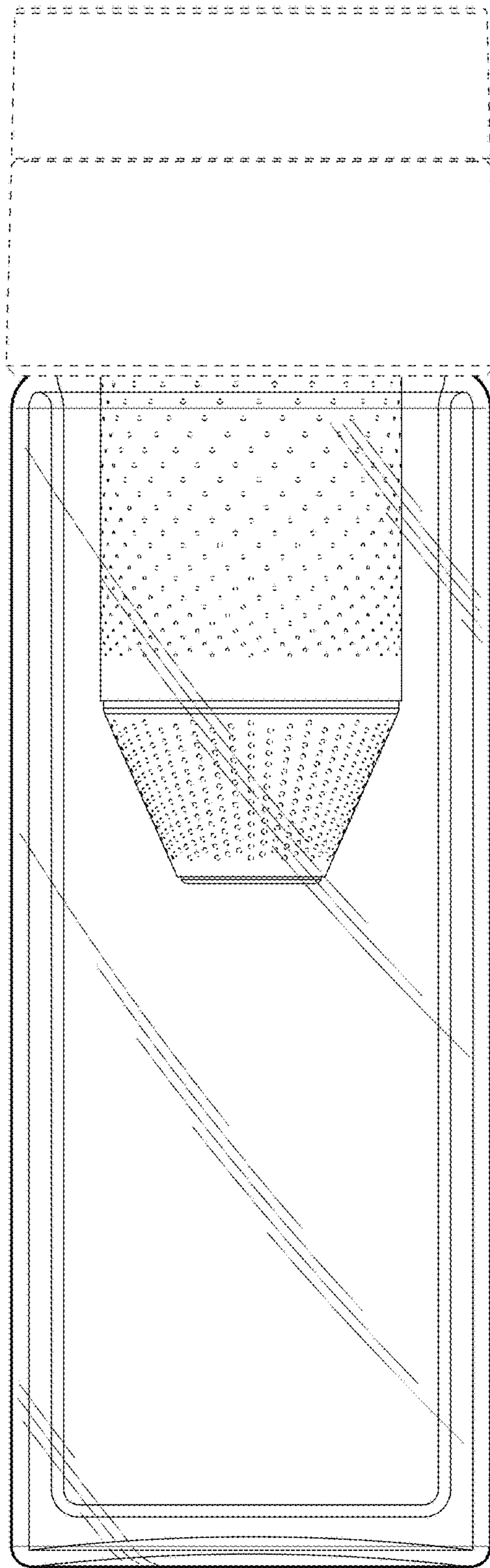


FIG. 3

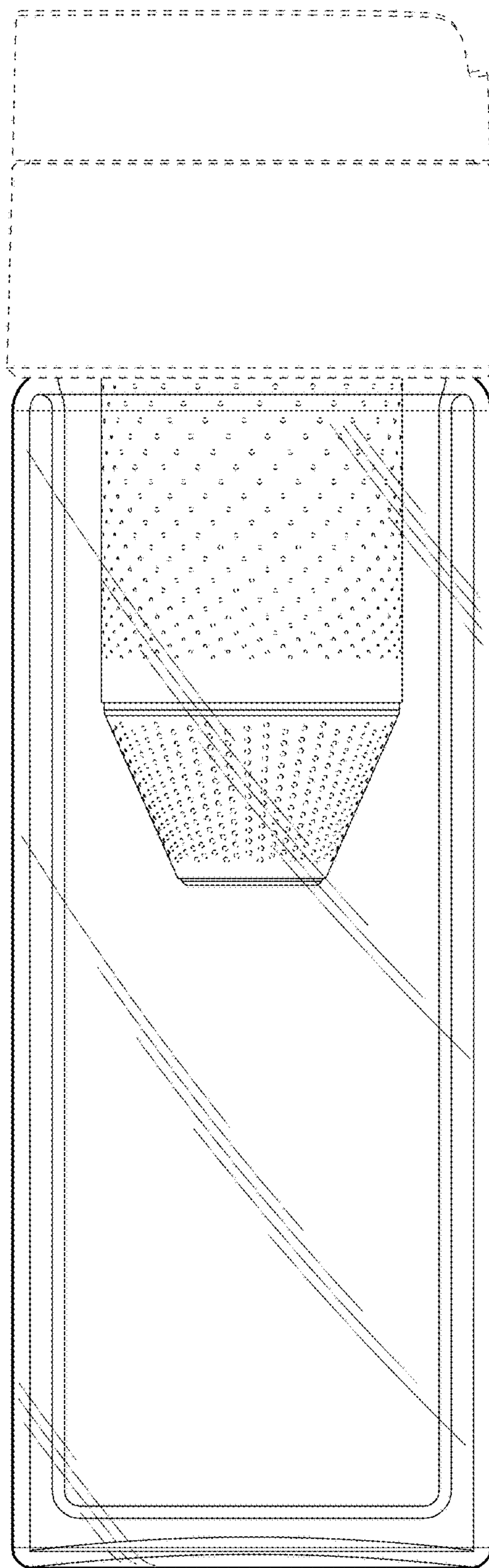


FIG. 4

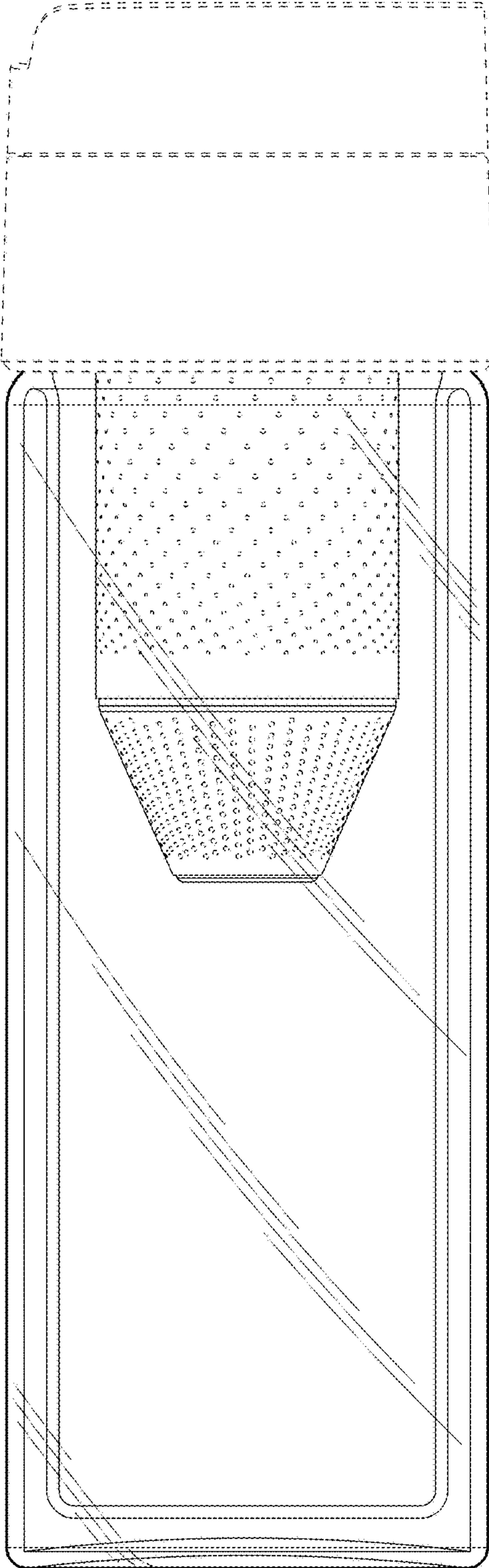


FIG. 5

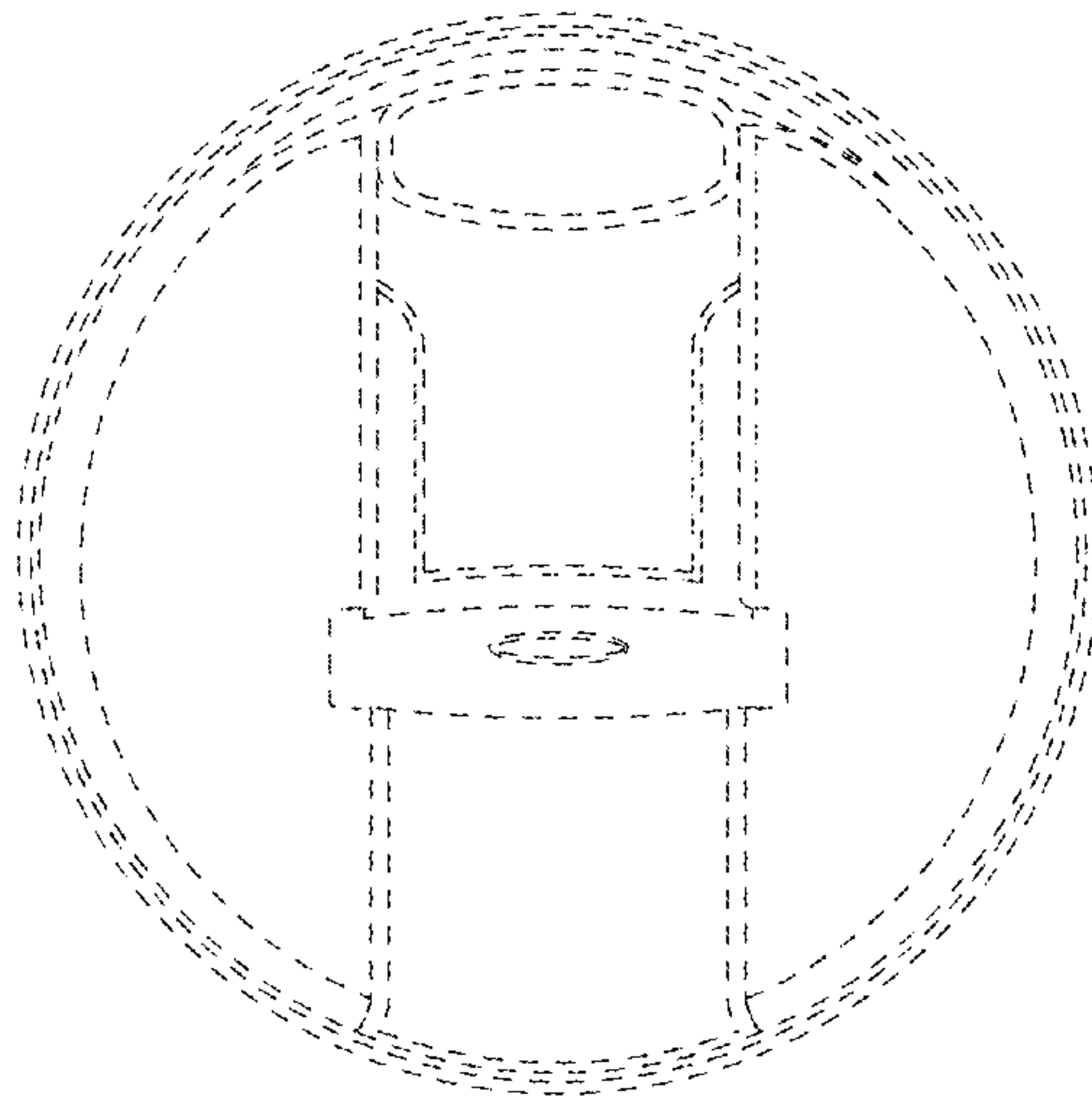


FIG. 6

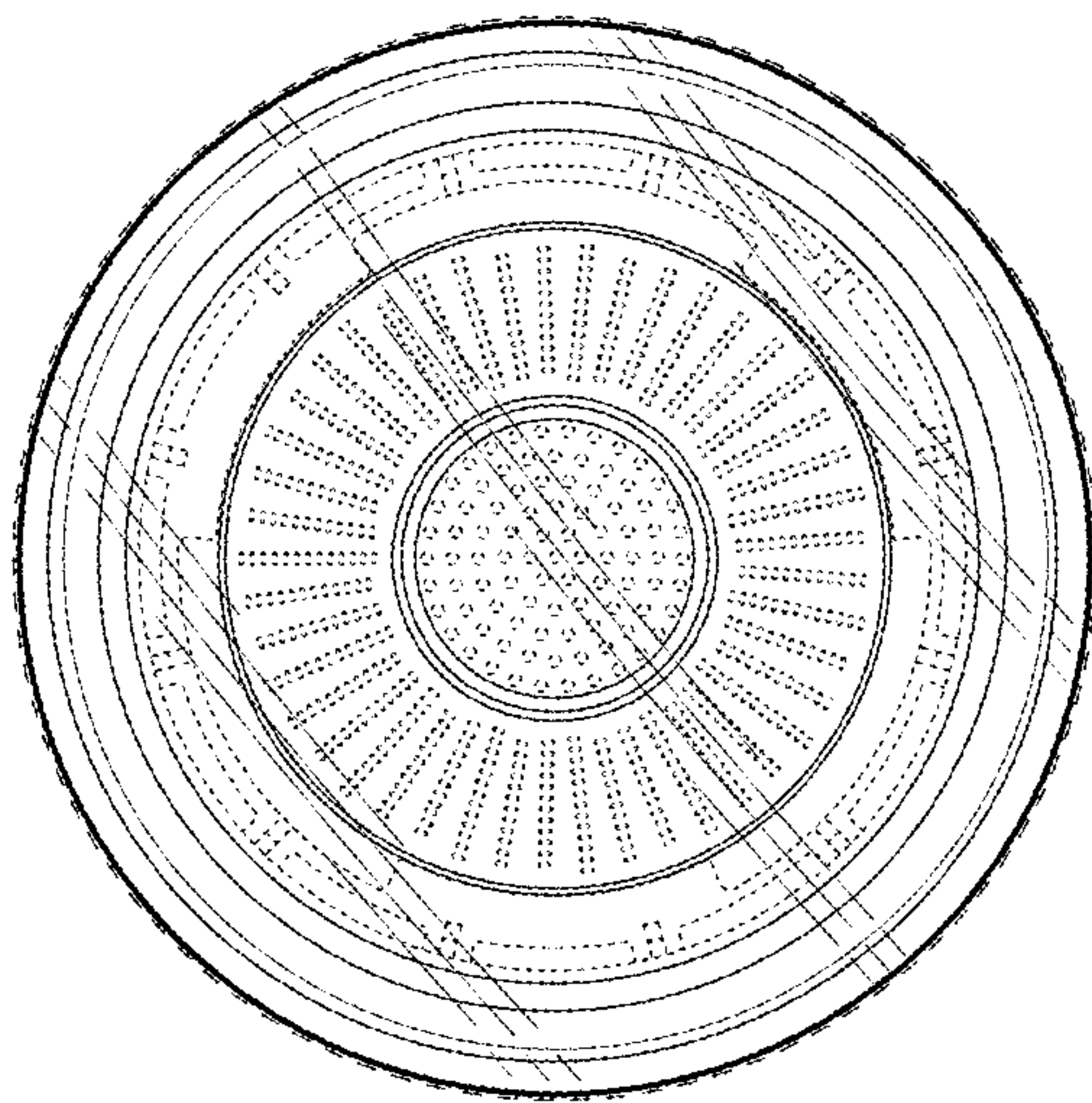


FIG. 7

UNITED STATES PATENT AND TRADEMARK OFFICE  
**CERTIFICATE OF CORRECTION**

PATENT NO. : D828,093 S  
APPLICATION NO. : 29/593601  
DATED : September 11, 2018  
INVENTOR(S) : David Denny Chitayat et al.

Page 1 of 1

It is certified that error appears in the above-identified patent and that said Letters Patent is hereby corrected as shown below:

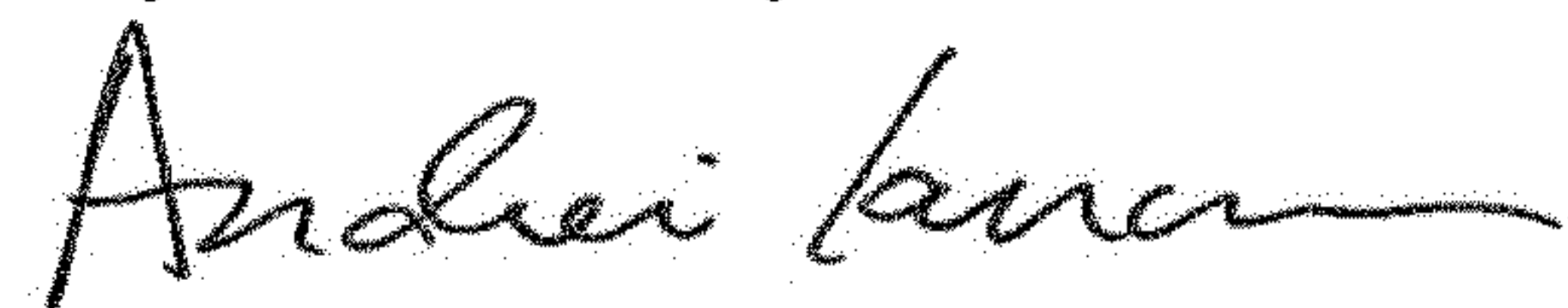
On the Title Page

Item (73) please amend the Assignee's address as follows:

From: Central Honk Kong

To: Central Hong Kong

Signed and Sealed this  
Twenty-seventh Day of November, 2018



Andrei Iancu  
*Director of the United States Patent and Trademark Office*