



US00D828092S

(12) **United States Design Patent** (10) **Patent No.:** **US D828,092 S**  
**Dietz et al.** (45) **Date of Patent:** **\*\* Sep. 11, 2018**

(54) **ICE CREAM MAKER KITCHEN MIXER ATTACHMENT** 5,022,315 A \* 6/1991 Bertram ..... A23G 9/106 366/144  
D319,754 S \* 9/1991 Maass ..... D7/379  
(71) Applicants: **Phillip Dietz**, Saint George, UT (US); D320,938 S \* 10/1991 Stallings ..... D32/54  
**Steven Cottam**, Ivins, UT (US) D323,513 S \* 1/1992 van Asten ..... D15/82  
D327,015 S \* 6/1992 Stallings ..... D32/54  
(72) Inventors: **Phillip Dietz**, Saint George, UT (US); D327,391 S \* 6/1992 Maass ..... D7/376  
**Steven Cottam**, Ivins, UT (US) D328,998 S \* 9/1992 Maass ..... D7/376  
D341,291 S \* 11/1993 Dow, III ..... D7/323  
D456,031 S \* 4/2002 Smith ..... D15/82  
(\*\*) Term: **15 Years** D618,056 S \* 6/2010 Sly ..... D7/376

(21) Appl. No.: **29/569,677**

(22) Filed: **Jun. 29, 2016**

(51) **LOC (11) Cl.** ..... **31-00**

(52) **U.S. Cl.**  
USPC ..... **D7/412; D7/384**

(58) **Field of Classification Search**  
USPC ..... D7/372, 376-386, 402, 412-413, 602, D7/629, 665-666, 669, 679, 693-694; D15/82; D32/54  
CPC .. A21C 1/02; A21C 1/04; A23G 9/106; A23N 1/00; A23N 1/02; A47J 43/04; A47J 43/25; A47J 43/27; A47J 43/042; A47J 43/044; A47J 43/046; A47J 43/075; A47J 43/0722; A47J 43/0727; B01F 3/00; B01F 3/0807; B01F 3/0853; B01F 7/00208; B01F 13/0059; B01F 13/0064; B02C 1/08; B02C 2/04; B02C 4/42; B02C 4/142; B02C 4/143; B02C 4/423; B02C 13/1835; B28C 5/10; B28C 5/12; B28C 5/14; B28C 5/16

See application file for complete search history.

(56) **References Cited**

**U.S. PATENT DOCUMENTS**

1,698,402 A \* 1/1929 Harris ..... B01F 7/00208 366/247  
D296,749 S \* 7/1988 Threadgill, Jr. .... D15/82

**OTHER PUBLICATIONS**

Photographs of prior art Date taken: Jun. 28, 2016.

\* cited by examiner

*Primary Examiner* — Ricky Pham

(74) *Attorney, Agent, or Firm* — Zachary Renstrom

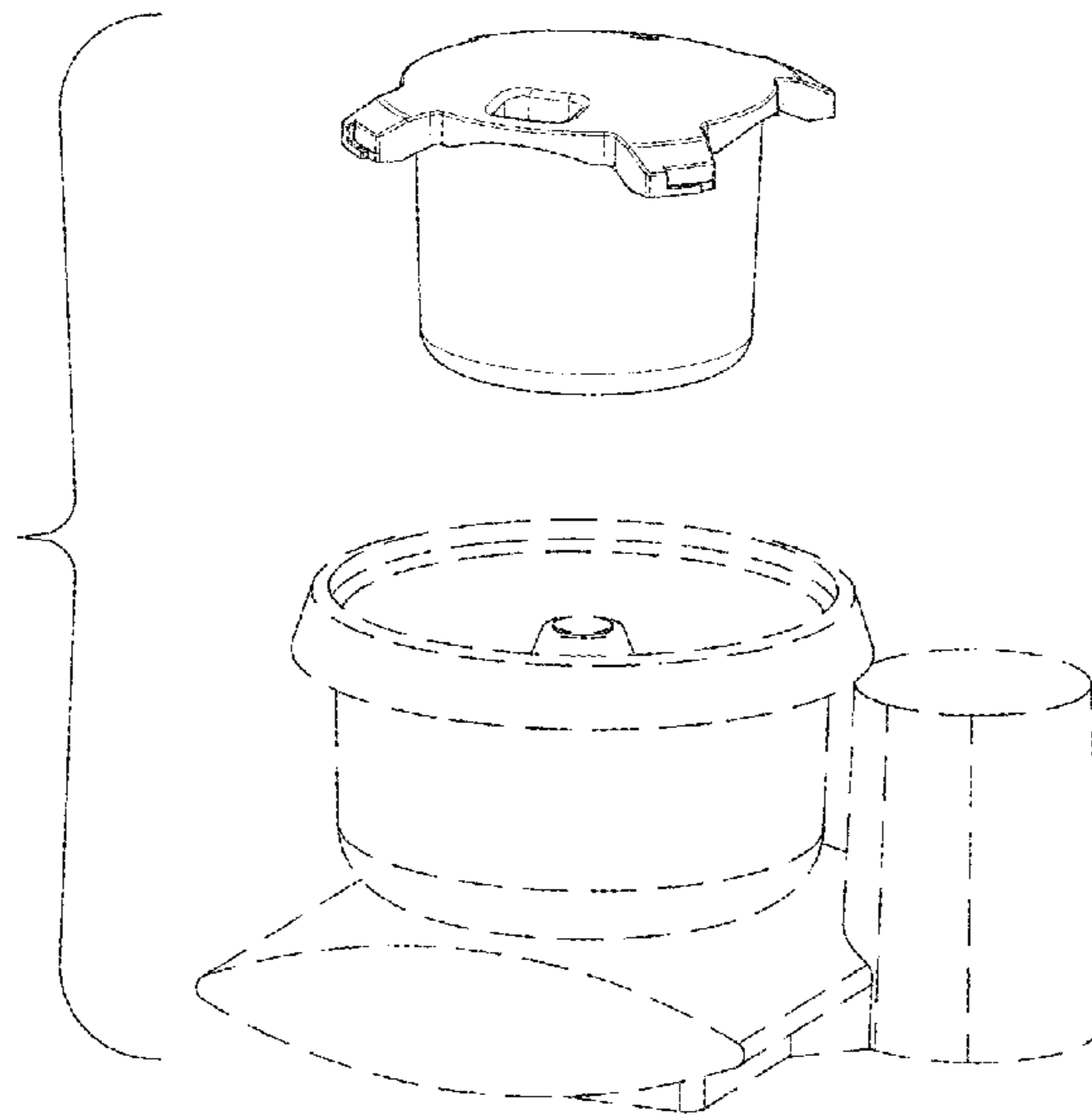
(57) **CLAIM**

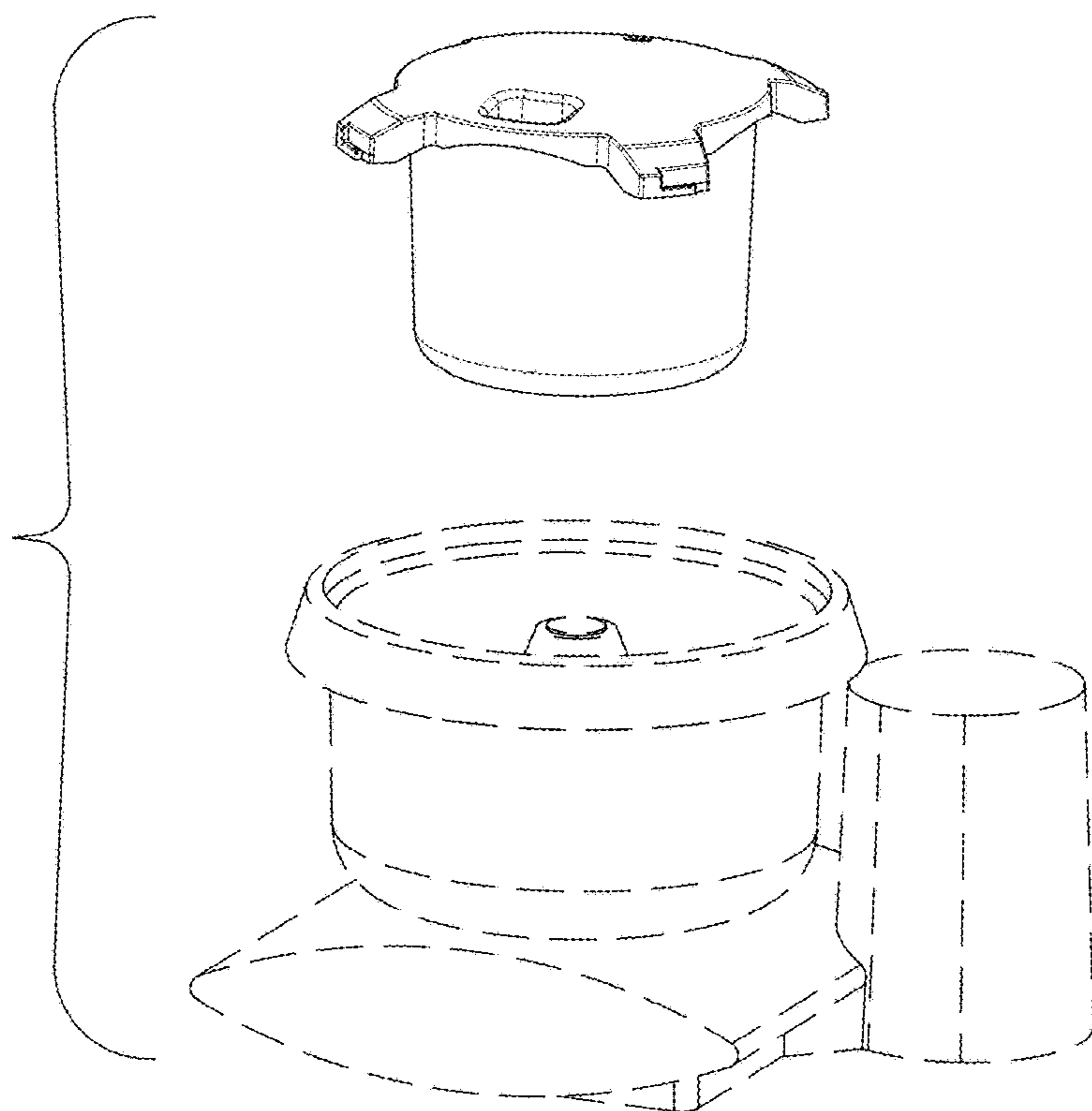
The ornamental design for an ice cream maker kitchen mixer attachment, as shown and described.

**DESCRIPTION**

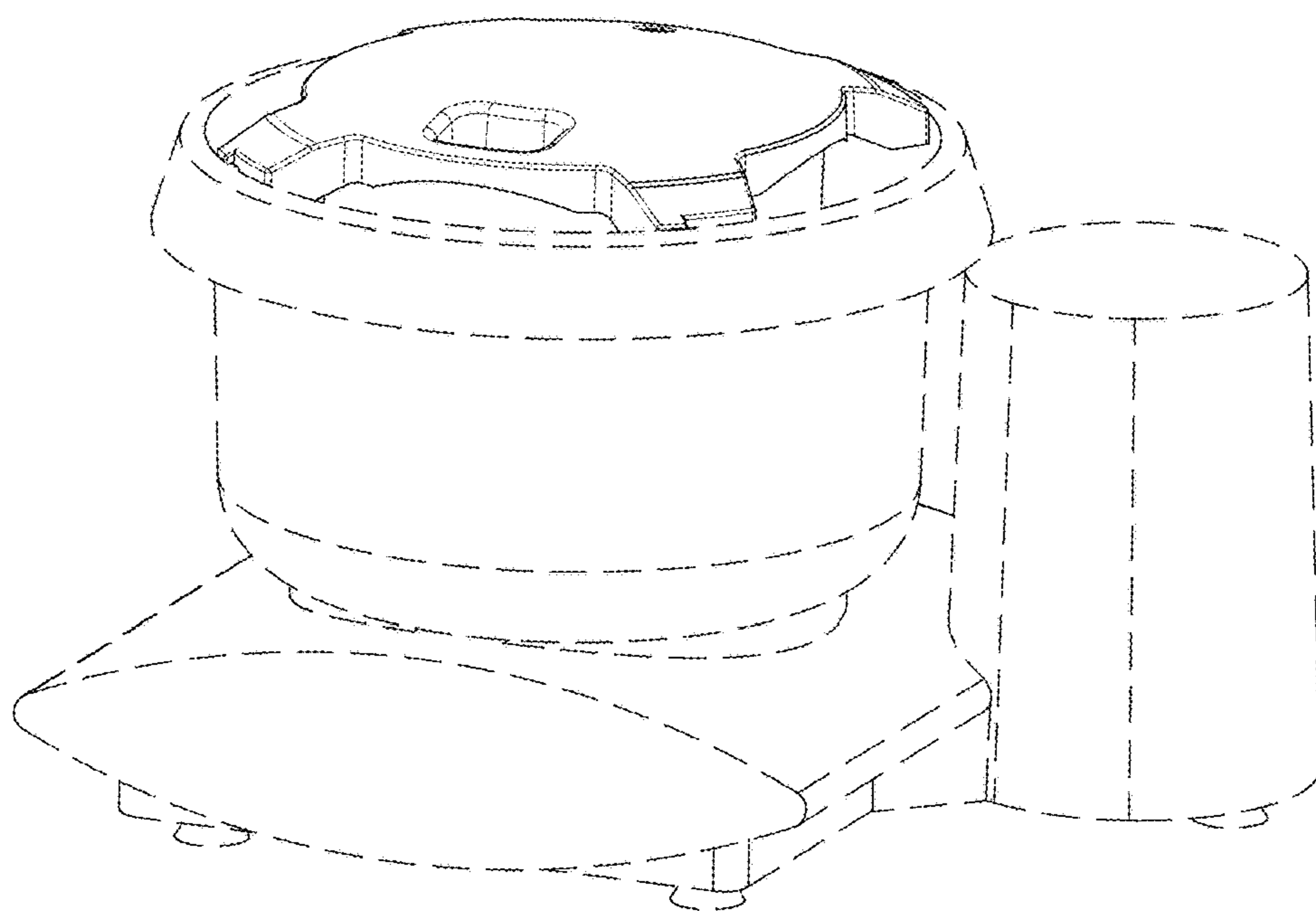
FIG. 1 is an exploded perspective view of an ice cream maker kitchen mixer attachment of out new design; FIG. 2 is a prospective view of the invention inserted into a kitchen mixer thereof; FIG. 3 is a side prospective view thereof; FIG. 4 is a bottom prospective view thereof; FIG. 5 is an enlarged prospective view of the invention with a lid exploded from a bowl thereof; and, FIG. 6 is a top prospective view of the invention with the lid exploded from the thereof. The broken lines shown in the drawing are for illustrative purposes only and form no part of the claim design.

**1 Claim, 4 Drawing Sheets**

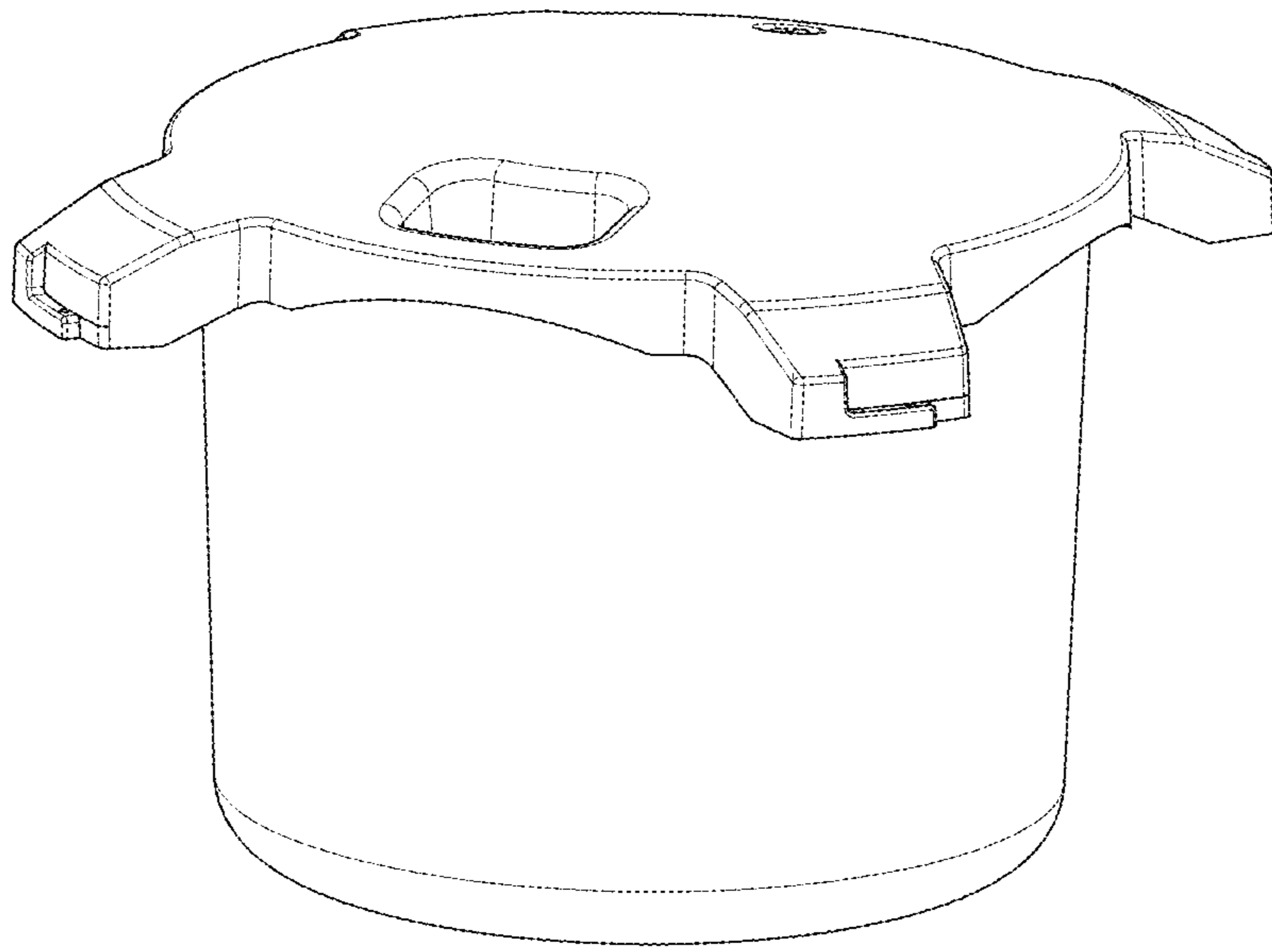




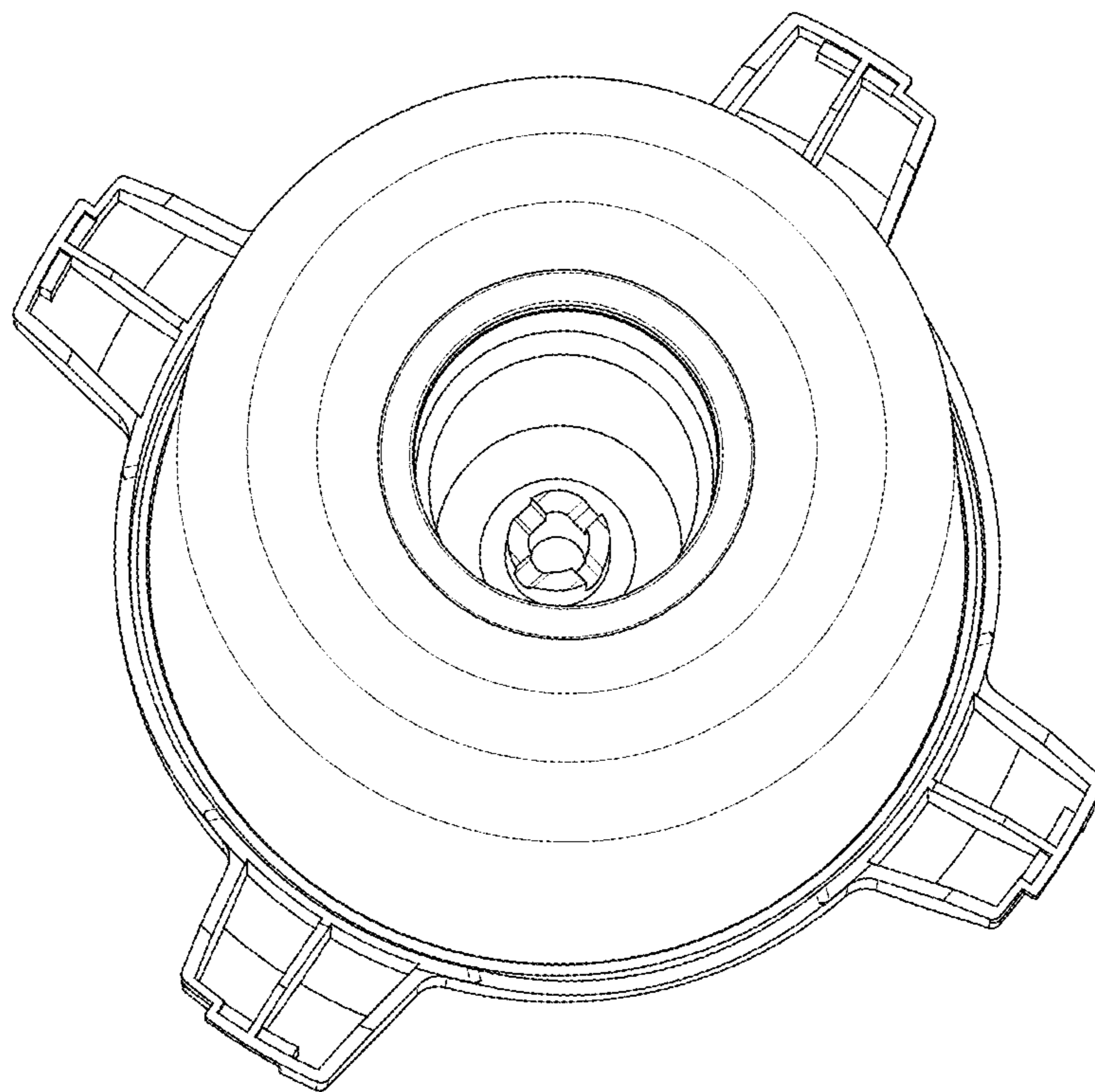
**FIG. 1**



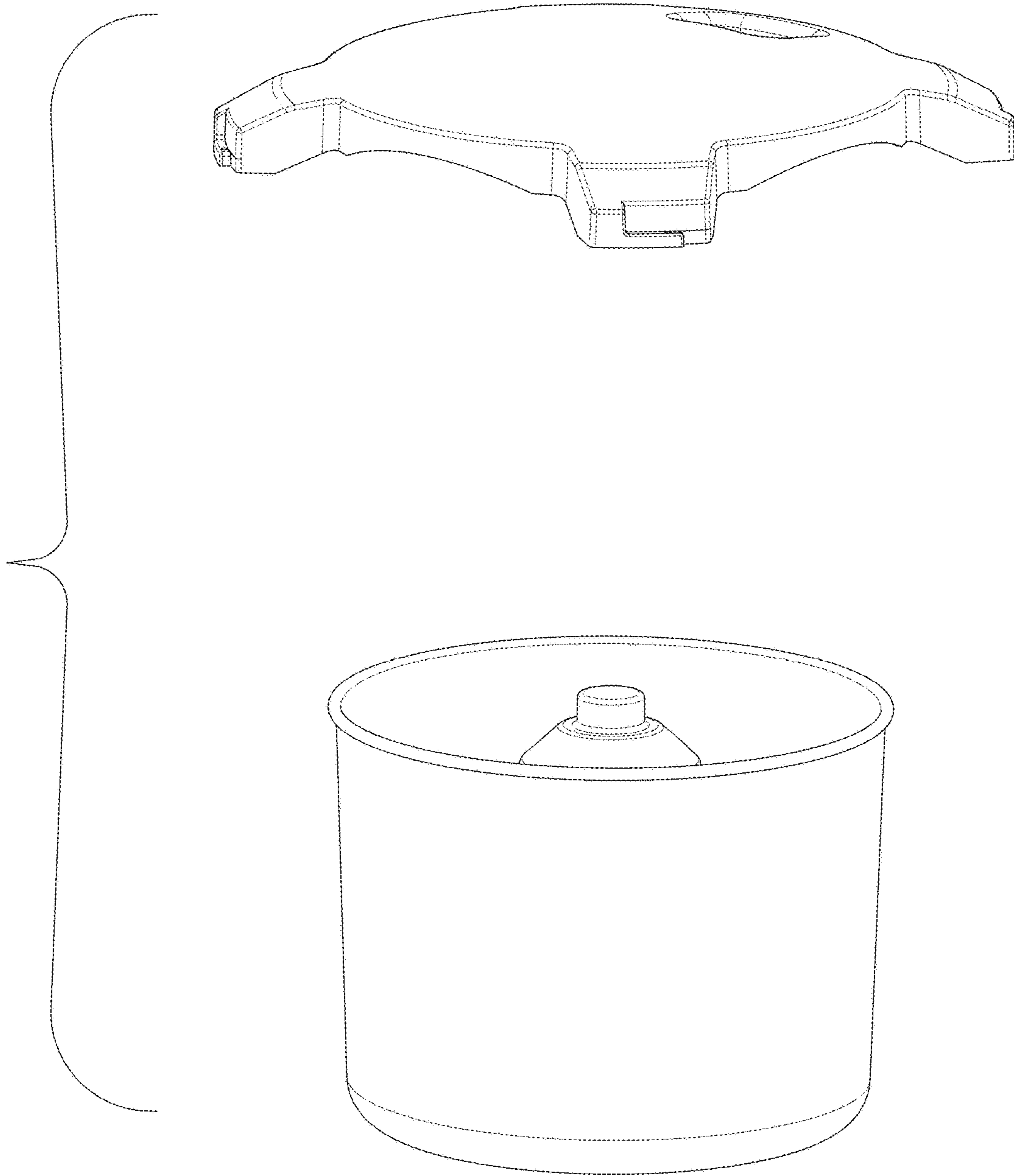
**FIG. 2**



**FIG. 3**



**FIG. 4**



**FIG. 5**

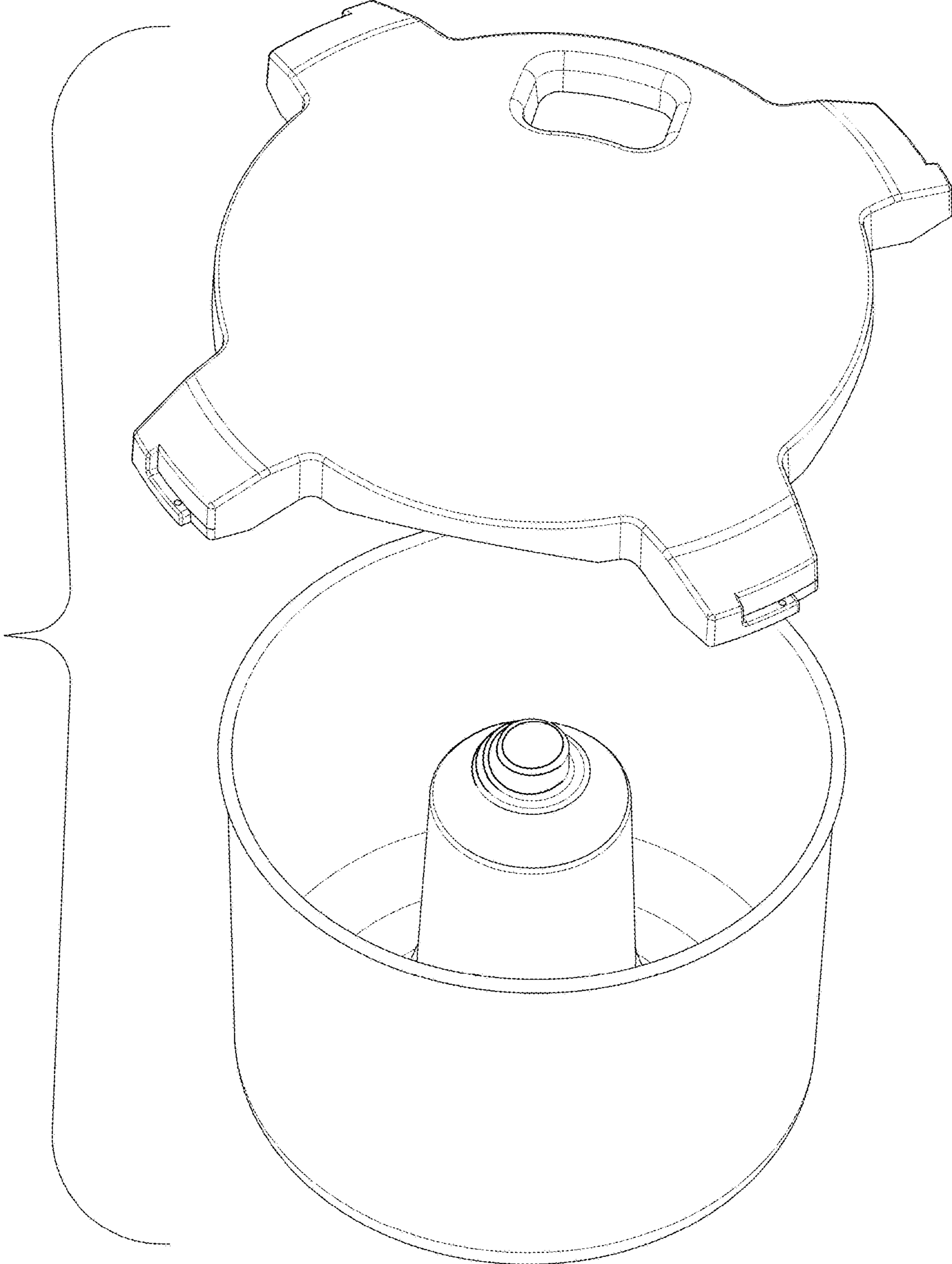


FIG. 6