



US00D828090S

(12) **United States Design Patent**
Kim et al.

(10) **Patent No.:** **US D828,090 S**

(45) **Date of Patent:** **** *Sep. 11, 2018**

(54) **ELECTRIC OVEN**

(71) Applicant: **Samsung Electronics Co., Ltd.**,
Suwon-si (KR)

(72) Inventors: **Jaejun Kim**, Seoul (KR); **Hyeongju Seo**, Seoul (KR)

(73) Assignee: **SAMSUNG ELECTRONICS CO., LTD.**, Gyeonggi-Do (KR)

D611,756 S *	3/2010	Yalcin	D7/349
D622,537 S *	8/2010	Kim	D7/340
D627,593 S *	11/2010	Lee	D7/340
D642,007 S *	7/2011	Lee	D7/340
D642,418 S *	8/2011	Kim	D7/340
D646,112 S *	10/2011	Park	D7/348
D664,388 S *	7/2012	Park	D7/348
D668,110 S *	10/2012	Borjesson	D7/406
D688,518 S *	8/2013	Baek	D7/402
D690,994 S *	10/2013	Baek	D7/405
D724,888 S *	3/2015	Lee	D7/340

(Continued)

(*) Notice: This patent is subject to a terminal disclaimer.

(**) Term: **15 Years**

(21) Appl. No.: **29/570,835**

(22) Filed: **Jul. 12, 2016**

(30) **Foreign Application Priority Data**

Jan. 22, 2016 (KR) 30-2016-0003193

(51) **LOC (11) Cl.** **07-02**

(52) **U.S. Cl.**
USPC **D7/405**

(58) **Field of Classification Search**
USPC D7/402, 405, 406, 323, 339-340,
D7/346-349, 350.1, 350.2, 350.3, 350.4,
D7/351, 332

CPC .. H05B 1/0261; H05B 1/0263; H05B 1/0266;
F24C 3/008; F24C 5/00; F24C 7/00;
F24C 15/02; F24C 15/024

See application file for complete search history.

(56) **References Cited**

U.S. PATENT DOCUMENTS

D512,603 S *	12/2005	Kim	D7/406
D525,477 S *	7/2006	Kim	D7/351
D530,561 S *	10/2006	Kim	D7/351
D538,582 S *	3/2007	Kim	D7/340
D580,698 S *	11/2008	Kim	D7/348

FOREIGN PATENT DOCUMENTS

KR 300867232 S 8/2016

OTHER PUBLICATIONS

Korean Office Action with English Translation for Application No. 30-2016-0003193 dated May 23, 2016.

(Continued)

Primary Examiner — Sheryl L Lane

Assistant Examiner — Nicole Christine Shiflet

(74) *Attorney, Agent, or Firm* — Cantor Colburn LLP

(57) **CLAIM**

The ornamental design for an electric oven, as shown and described.

DESCRIPTION

FIG. 1 is a perspective view of an electric oven, showing our new design;

FIG. 2 is a front view thereof;

FIG. 3 is a rear view thereof;

FIG. 4 is a left-side view thereof;

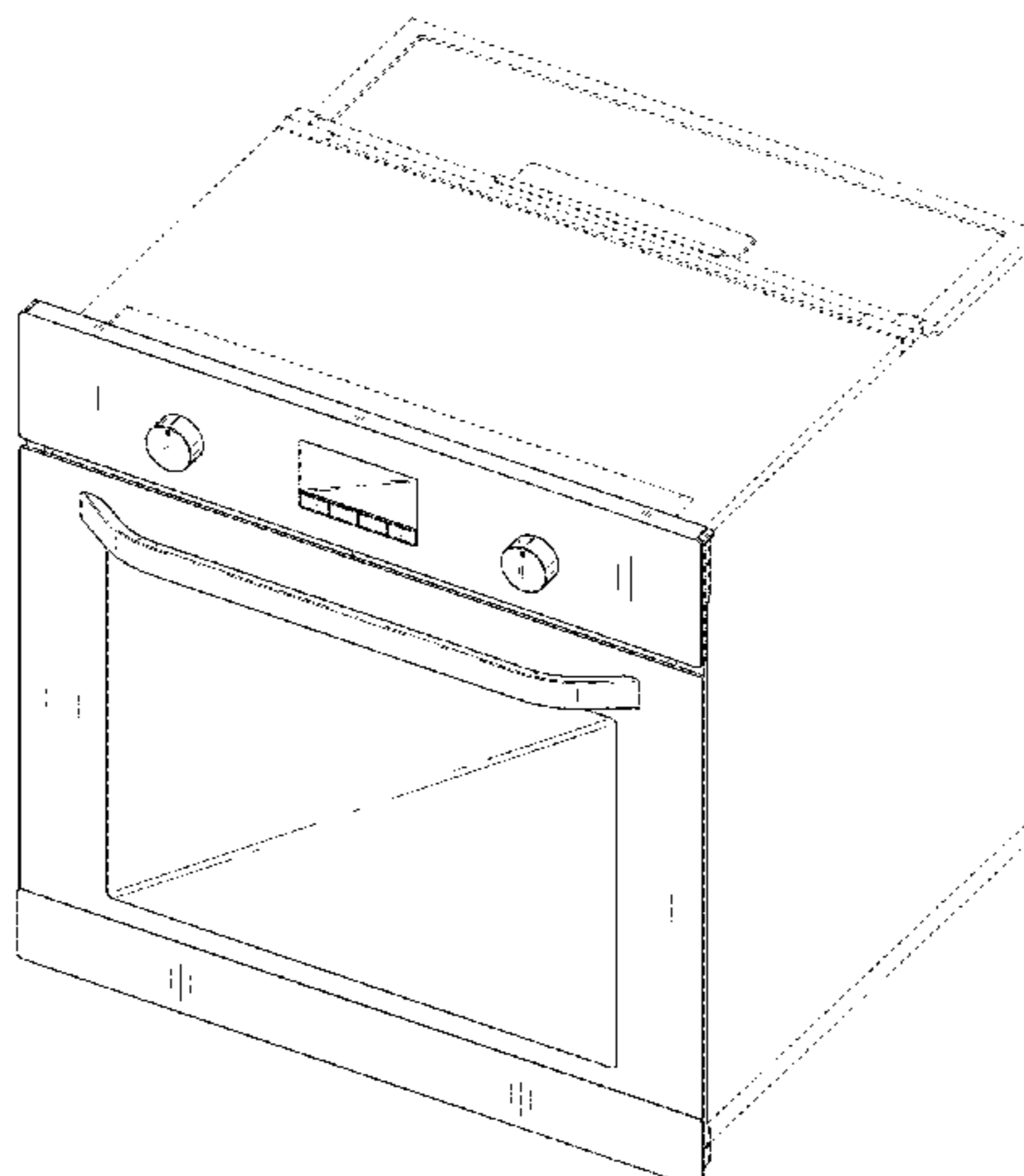
FIG. 5 is right-side view thereof;

FIG. 6 is a top view thereof; and,

FIG. 7 is a bottom view thereof.

The broken lines illustrating portions of the electric oven form no part of the claimed design.

1 Claim, 7 Drawing Sheets



(56)

References Cited

U.S. PATENT DOCUMENTS

D779,262 S * 2/2017 Kim D7/348
D781,096 S * 3/2017 Kim D7/339
D781,097 S * 3/2017 Kim D7/348
D787,879 S * 5/2017 Kim D7/348
2016/0033142 A1* 2/2016 Oh F24C 15/006
126/198
2017/0082296 A1* 3/2017 Jeong F24C 15/006

OTHER PUBLICATIONS

Notice of Allowance; U.S. Appl. No. 29/570,833, filed Jul. 12, 2016;
Electric Oven; dated Mar. 2, 2018; 12 Pages.

* cited by examiner

FIG. 1

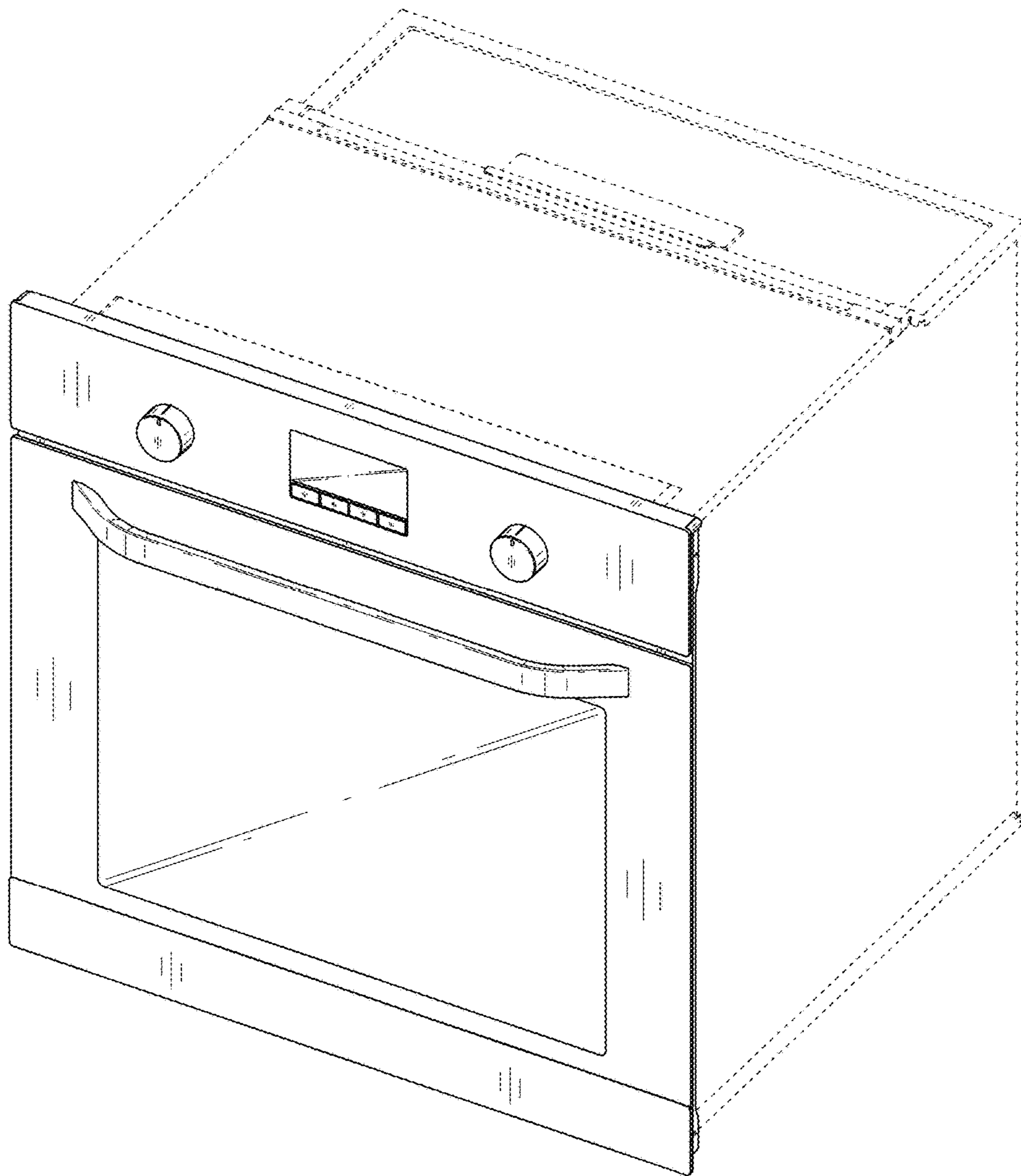


FIG. 2

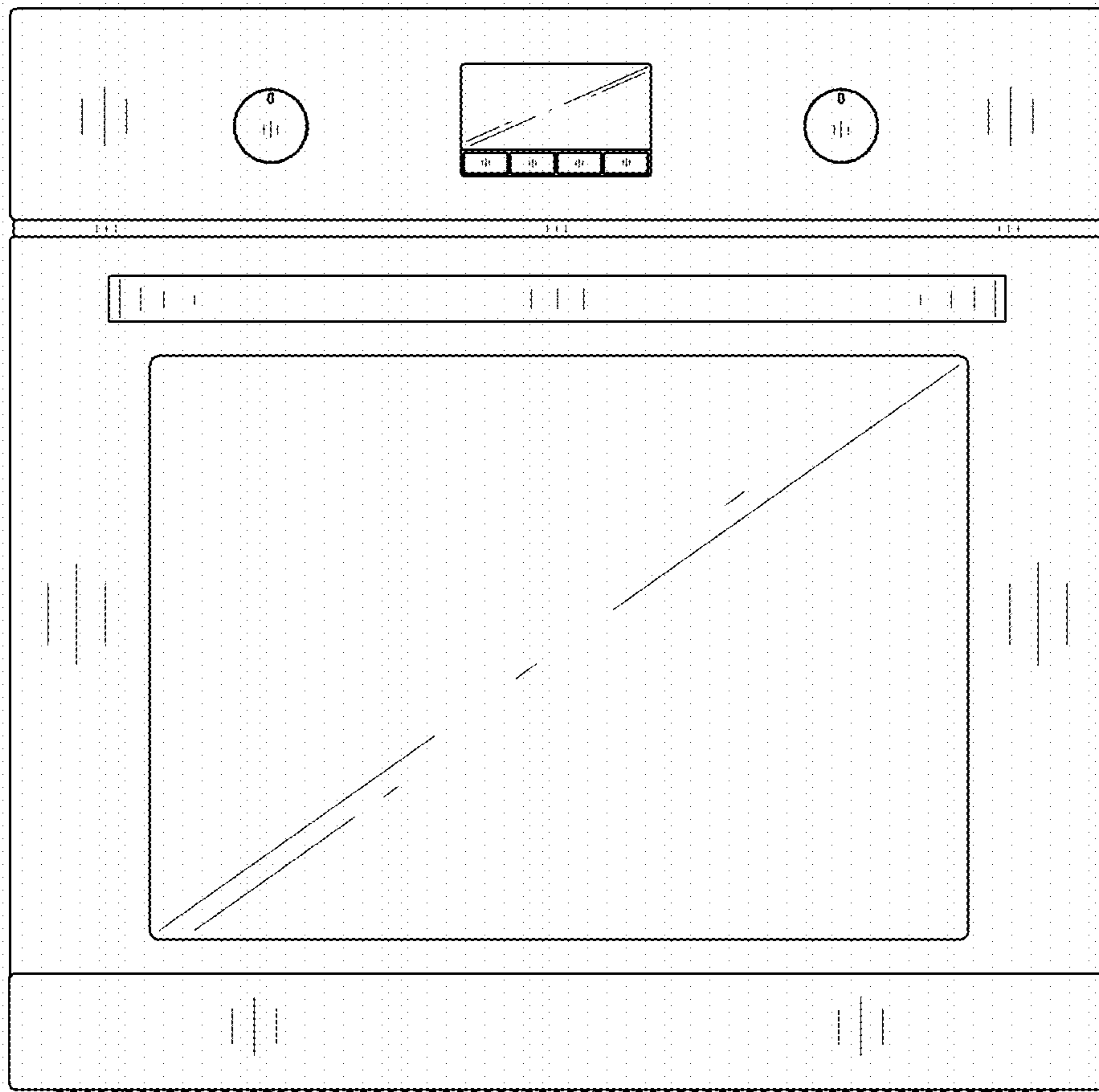


FIG. 3

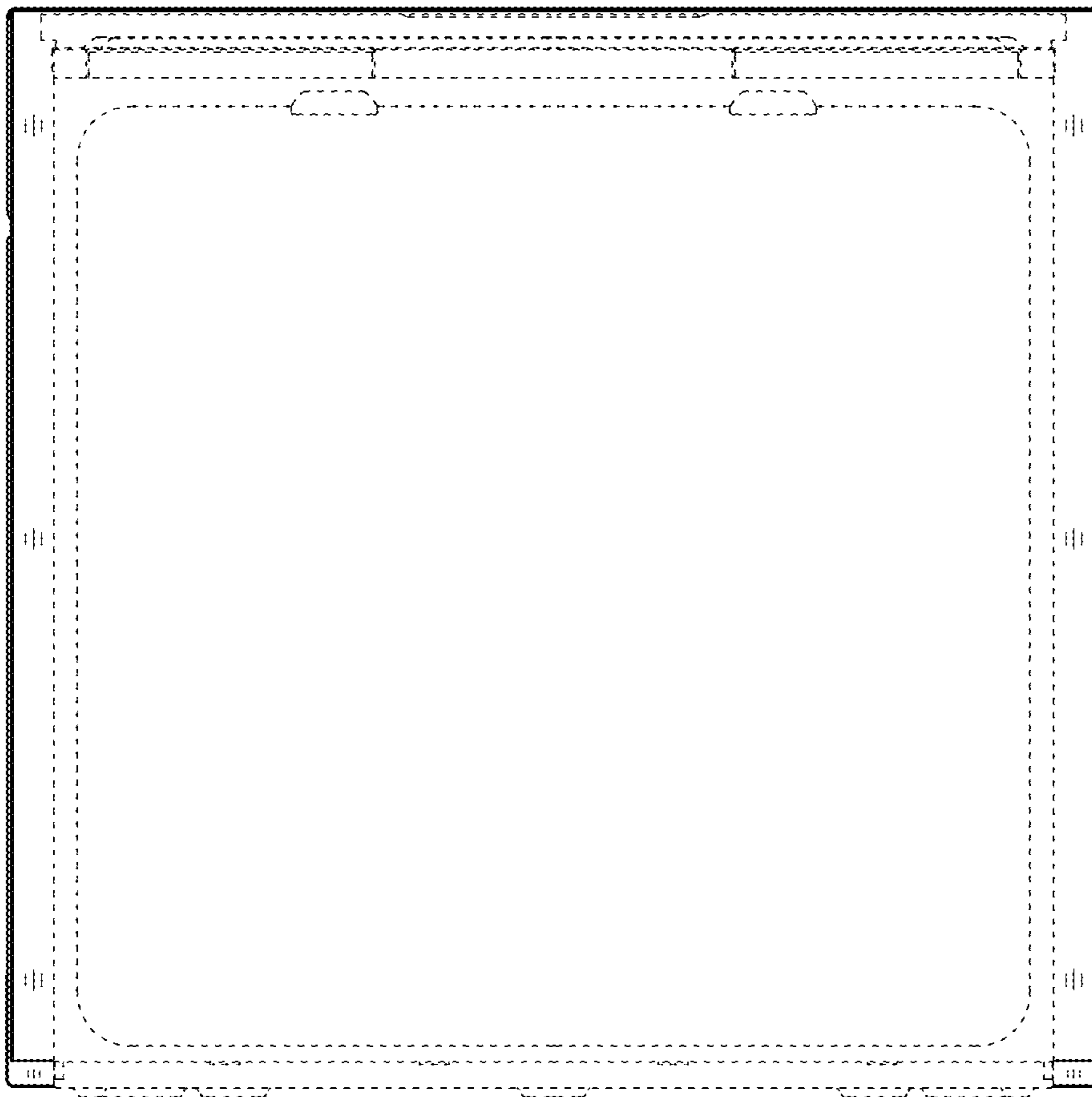


FIG. 4

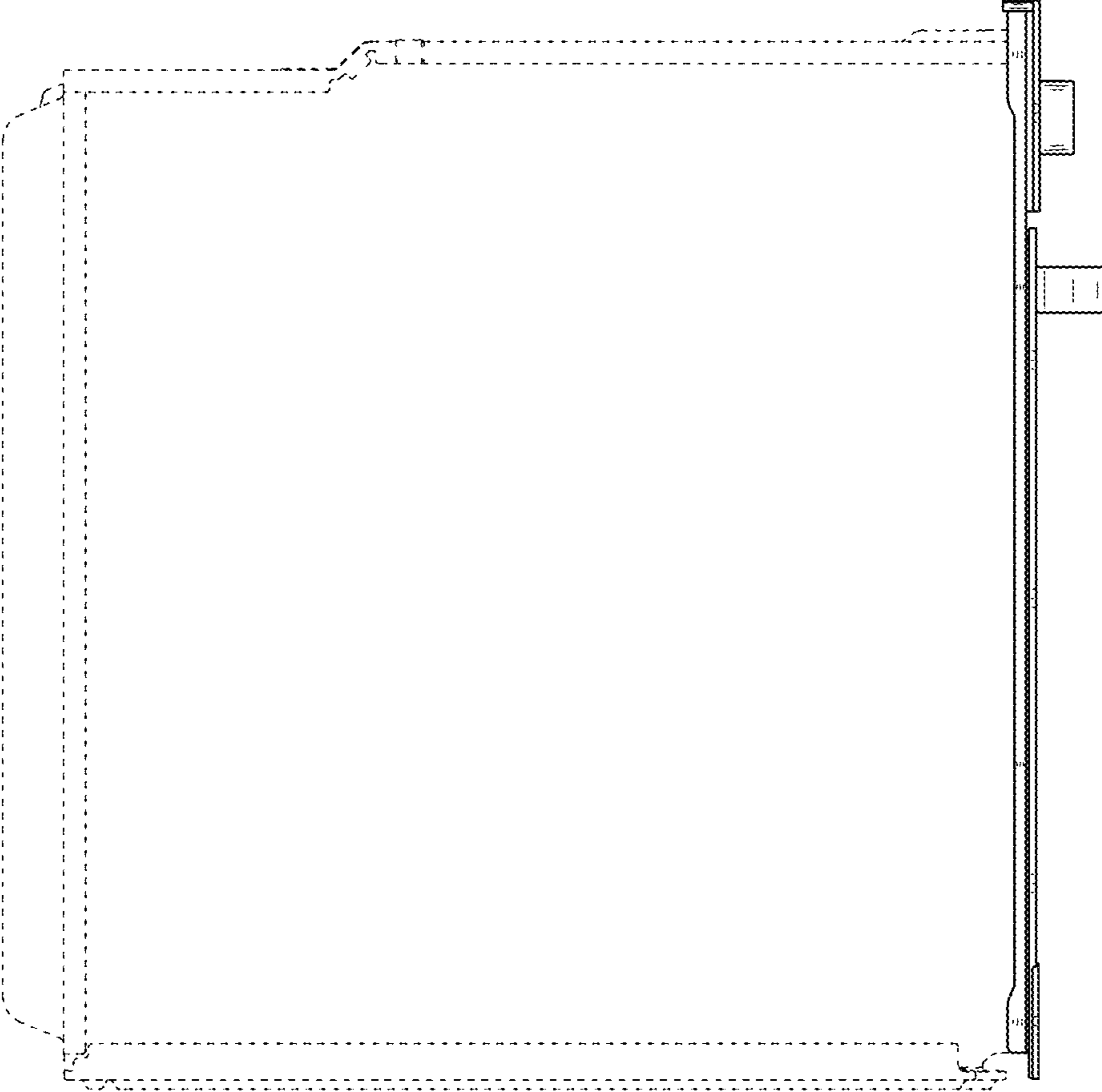


FIG. 5

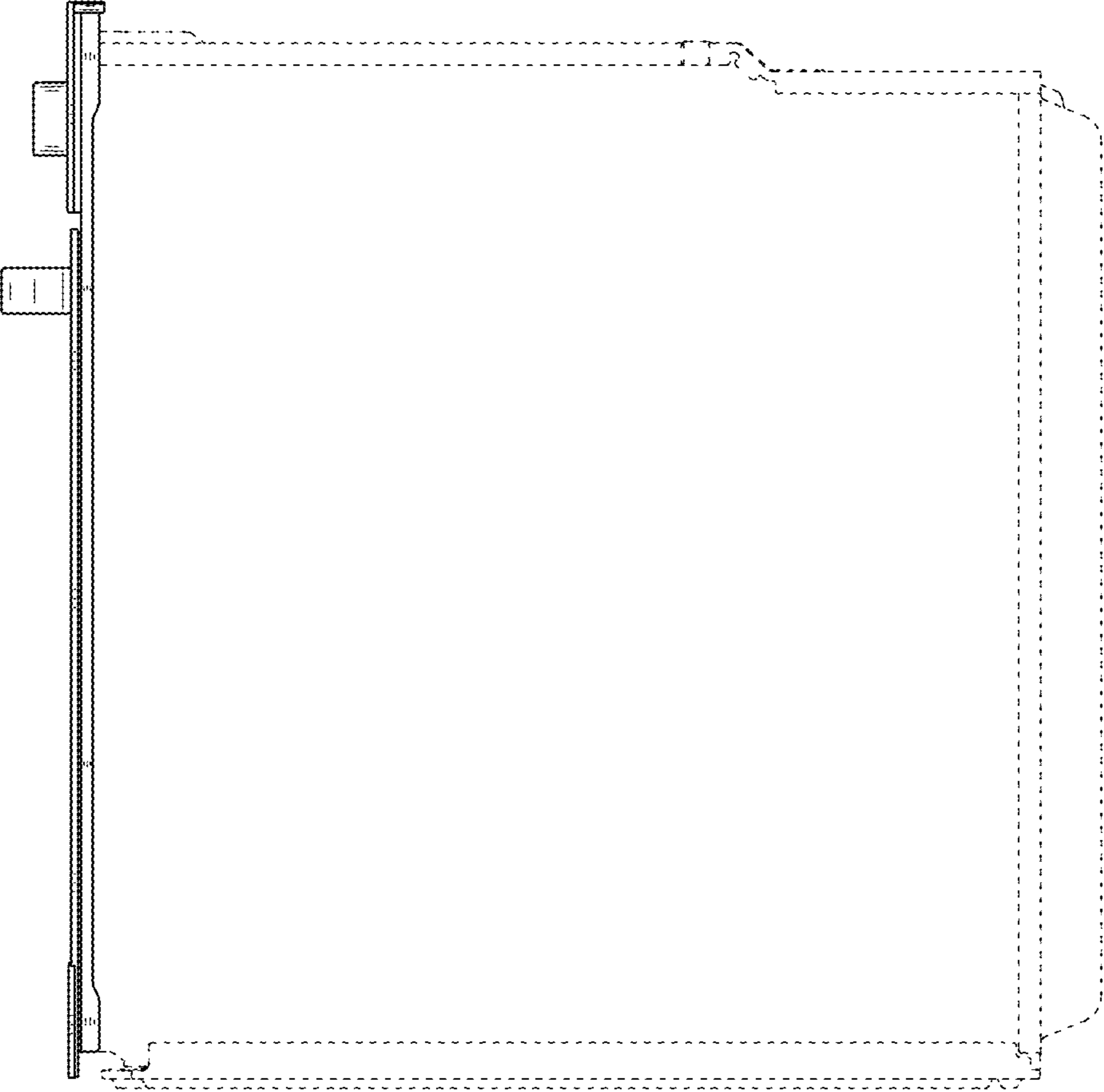


FIG. 6

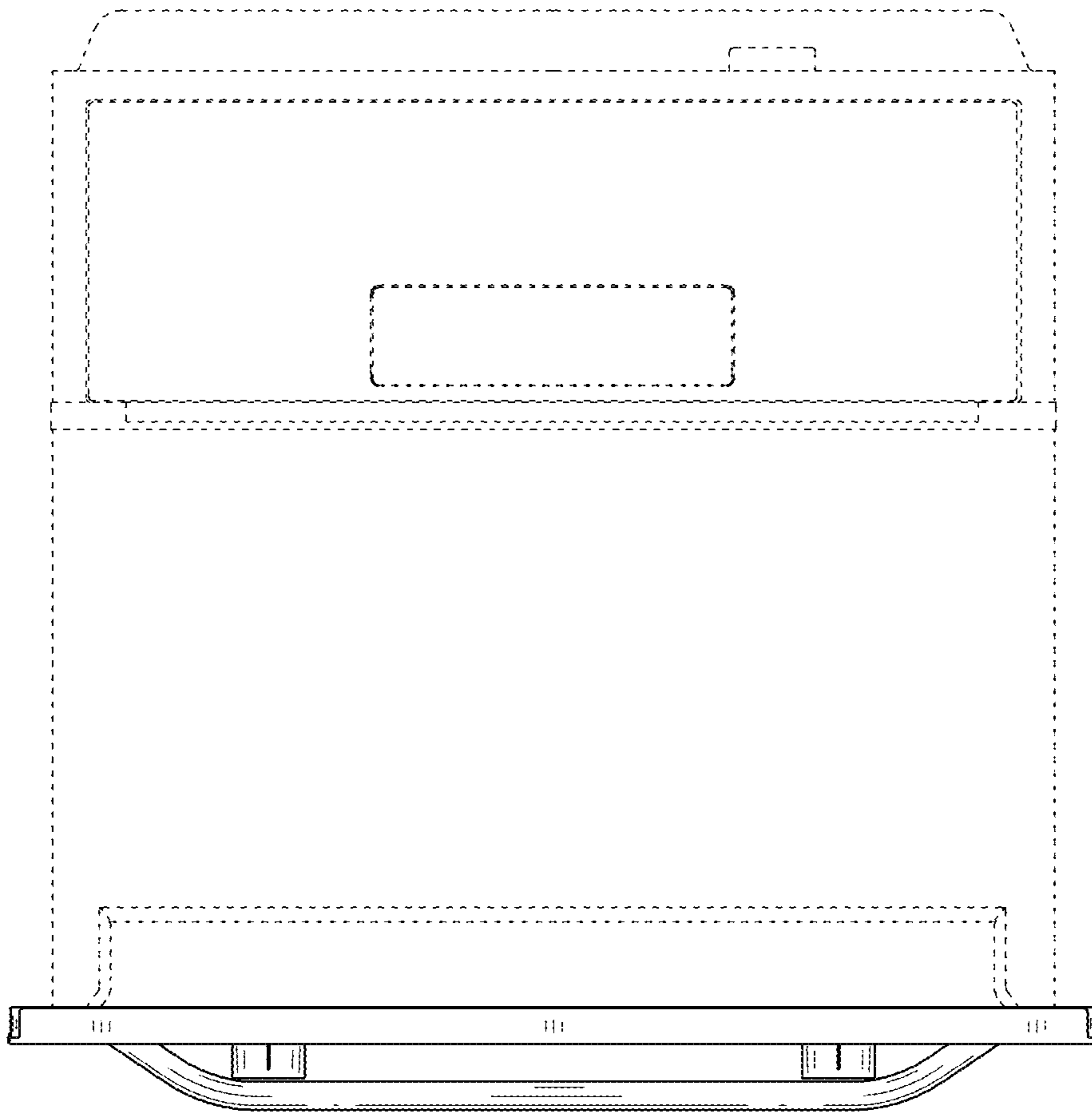


FIG. 7

