



US00D828089S

(12) **United States Design Patent** (10) **Patent No.:** **US D828,089 S**
Schueler et al. (45) **Date of Patent:** **** Sep. 11, 2018**

(54) **POUR OVER COFFEE DRIPPER**
(71) Applicant: **Hero Outdoor Products LLC**,
Stillwater, OK (US)
(72) Inventors: **Reilly Schueler**, Stillwater, OK (US);
Anthony Hanson, Oklahoma City, OK
(US); **Brett Enmeier**, Stillwater, OK
(US)

D455,608 S * 4/2002 McWilliams D7/400
D635,398 S * 4/2011 Watabe D7/400
7,926,414 B1 4/2011 Wolcott et al.
8,051,767 B2 11/2011 Gerber
8,424,448 B2 4/2013 Englert et al.
D778,668 S * 2/2017 Hojo D7/400
D796,889 S * 9/2017 Laskowski D7/321
D797,501 S * 9/2017 Thurlow D7/400
9,763,533 B2 * 9/2017 Liu A47J 31/02
2009/0178572 A1 * 7/2009 Wolcott A47J 31/005
99/323

(73) Assignee: **HERO OUTDOOR PRODUCTS LLC**, Stillwater, OK (US)

FOREIGN PATENT DOCUMENTS

(**) Term: **15 Years**

DE 19620381 1/1997
KR 201378808 1/2013

(21) Appl. No.: **29/601,228**

* cited by examiner

(22) Filed: **Apr. 20, 2017**

Primary Examiner — Daniel D Bui

(51) **LOC (11) Cl.** **07-99**

Assistant Examiner — Andrew Kerr

(52) **U.S. Cl.**
USPC **D7/400**

(74) *Attorney, Agent, or Firm* — Dennis D. Brown;
Brown Patent Law, P.L.L.C.

(58) **Field of Classification Search**
USPC D7/305, 309, 310, 312, 396.1, 396.2,
D7/397, 399, 401, 507, 509, 523,
D7/531–533, 535, 400
CPC A47J 31/005; A47J 31/06; A47J 31/0615;
A47J 31/0626

(57) **CLAIM**

The ornamental design of a pour over coffee dripper, as shown and described.

See application file for complete search history.

DESCRIPTION

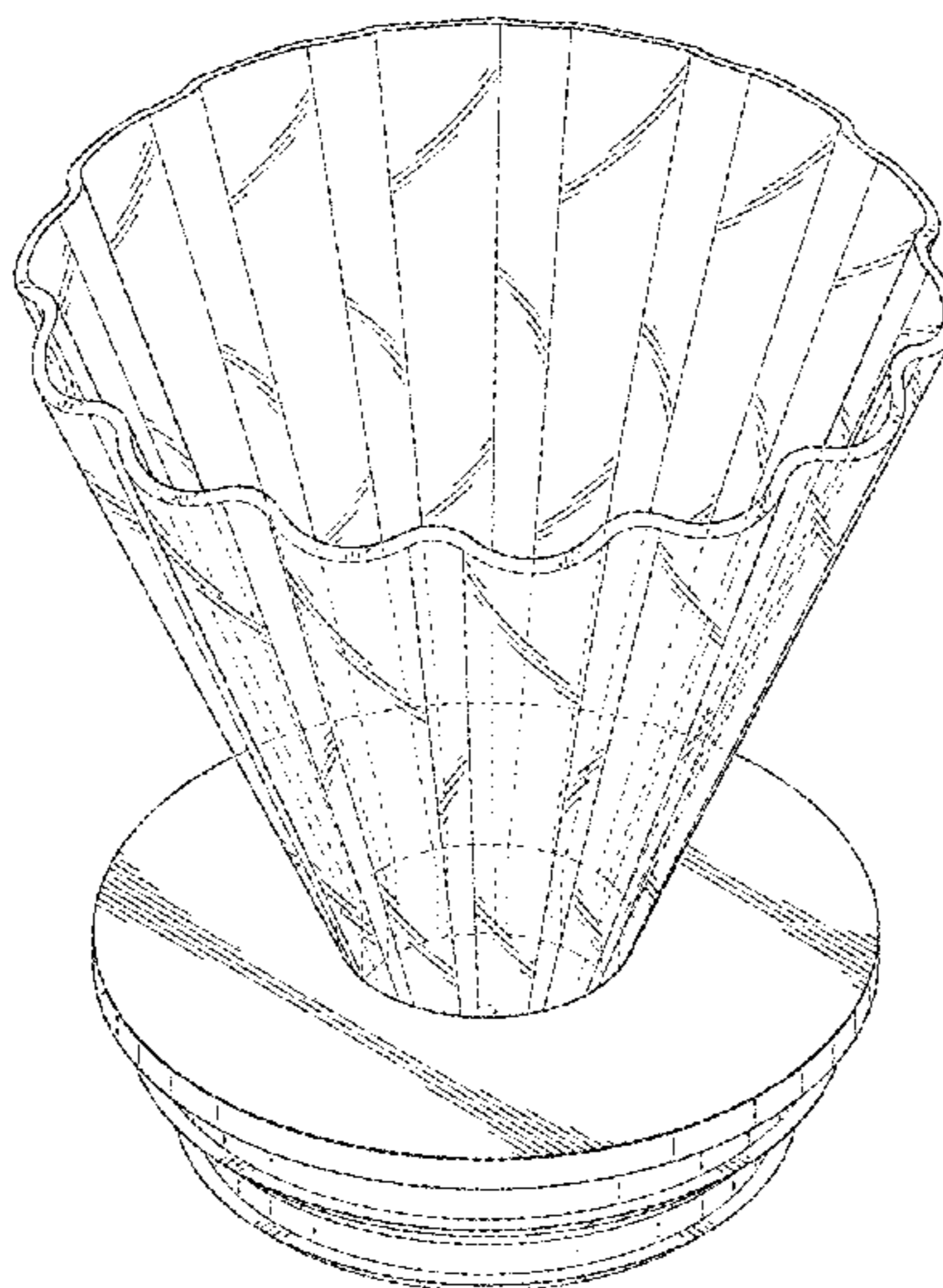
(56) **References Cited**

U.S. PATENT DOCUMENTS

1,456,010 A 3/1922 Richheimer
3,631,793 A 1/1972 Bednartz
4,167,136 A 9/1979 Chupurdy
4,221,670 A 9/1980 Ziemek
D274,115 S * 6/1984 Gavin D7/400
D278,116 S * 3/1985 Gavin D7/400
4,520,716 A 6/1985 Hayes
5,071,549 A 12/1991 Hauslein
D328,405 S * 8/1992 Heiligenstein D7/400
5,738,786 A 4/1998 Winnington-Ingram

FIG. 1 is a front perspective view of a pour over coffee dripper, showing our new design.
FIG. 2 is a front elevational view thereof;
FIG. 3 is a rear elevational view thereof;
FIG. 4 is a right side elevational view thereof;
FIG. 5 is a left side elevational view thereof;
FIG. 6 is a top plan view thereof;
FIG. 7 is a bottom plan view thereof; and,
FIG. 8 is a front perspective view thereof, in use condition.
The broken lines shown in the drawings represent unclaimed portions of the design and form no part thereof.

1 Claim, 8 Drawing Sheets



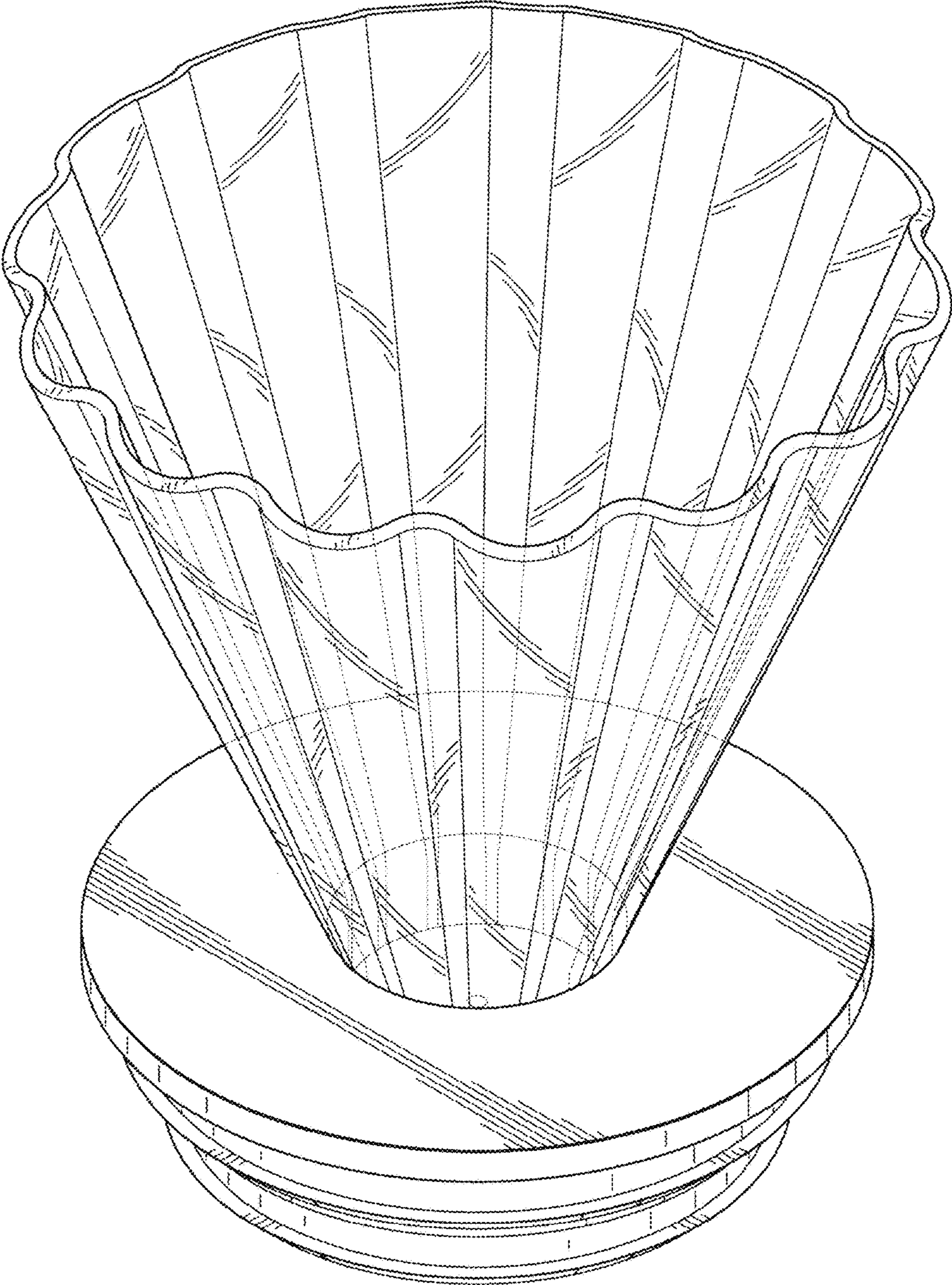


FIG. 1

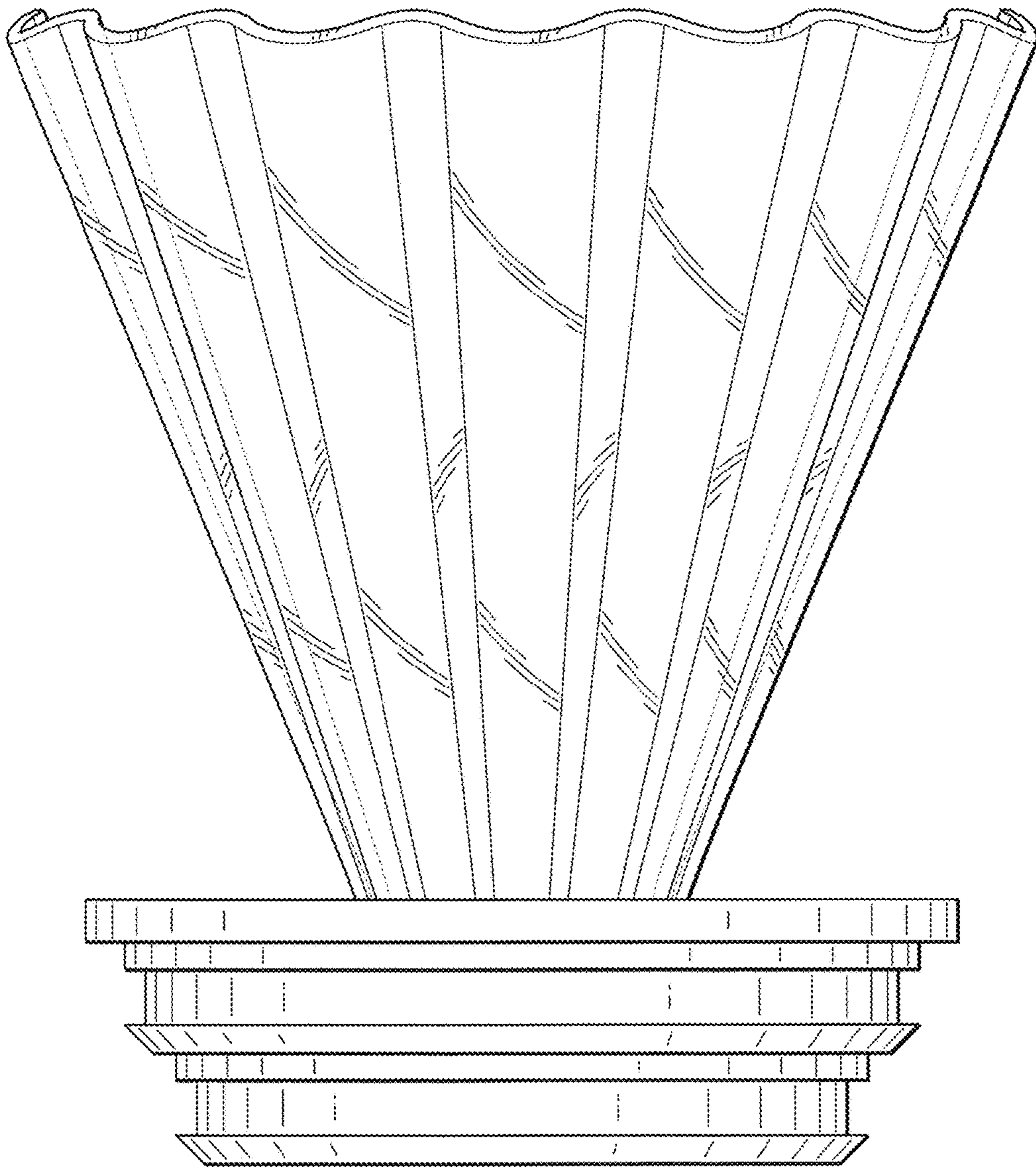


FIG. 2

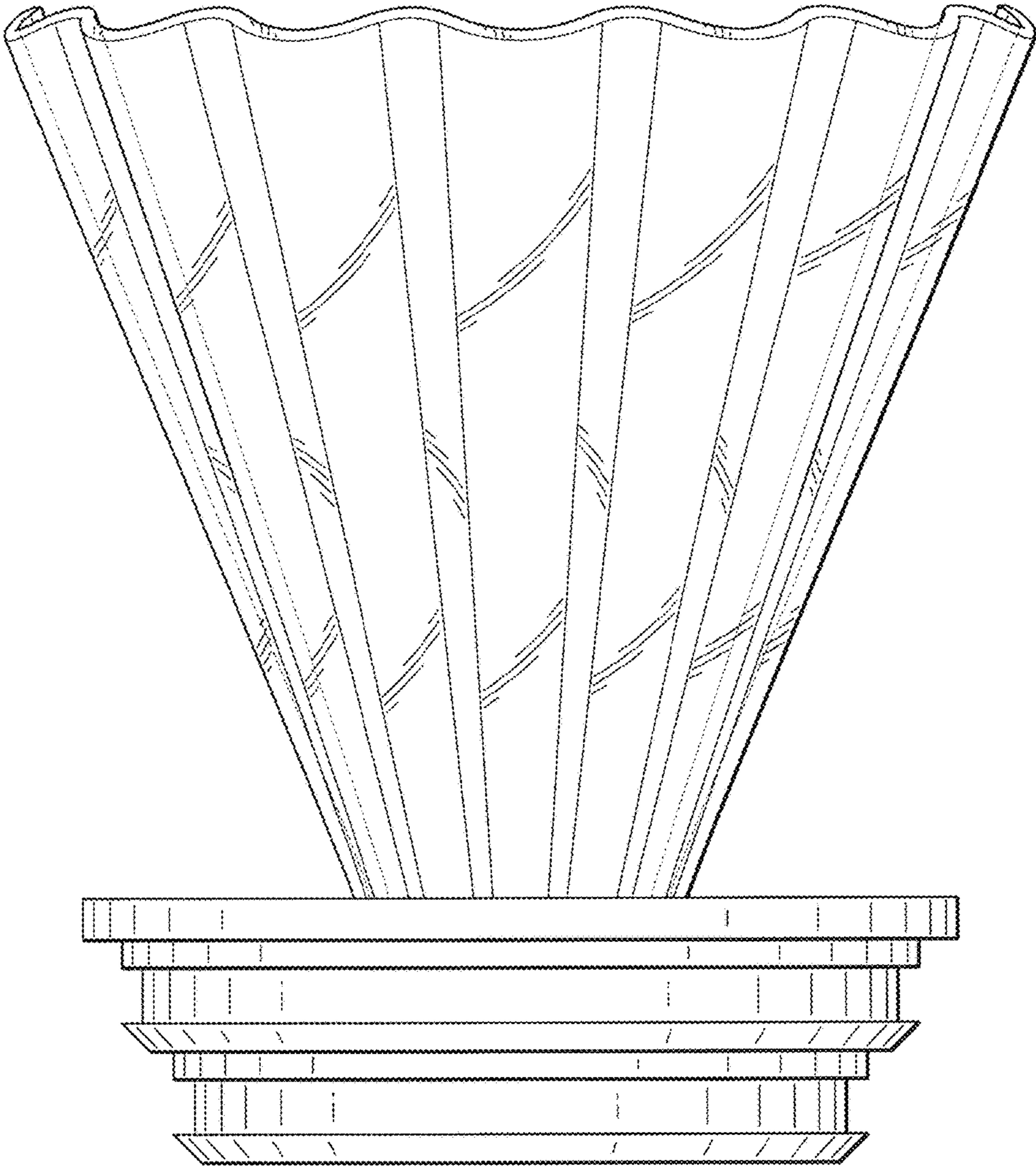


FIG. 3

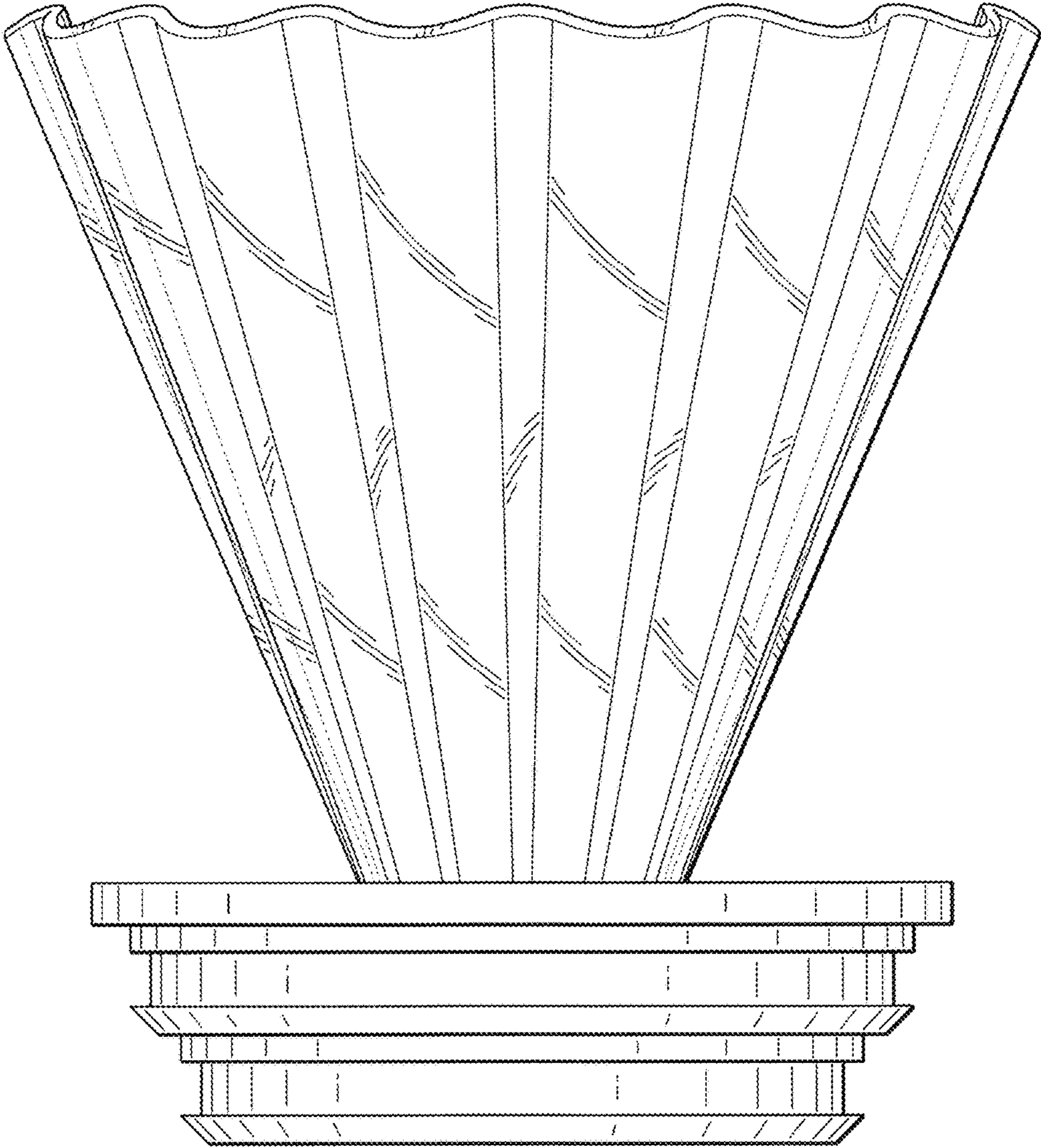


FIG. 4

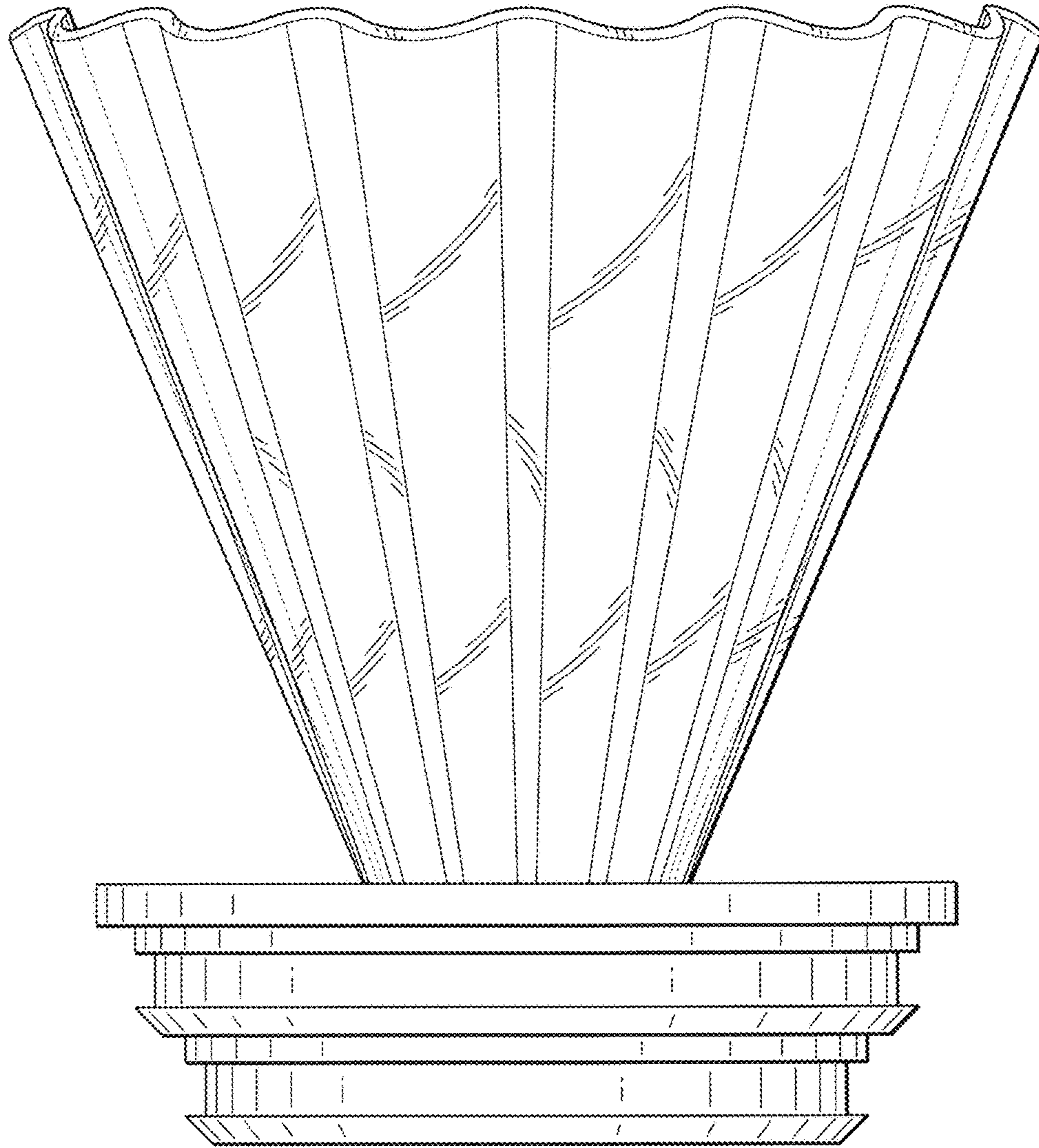


FIG. 5

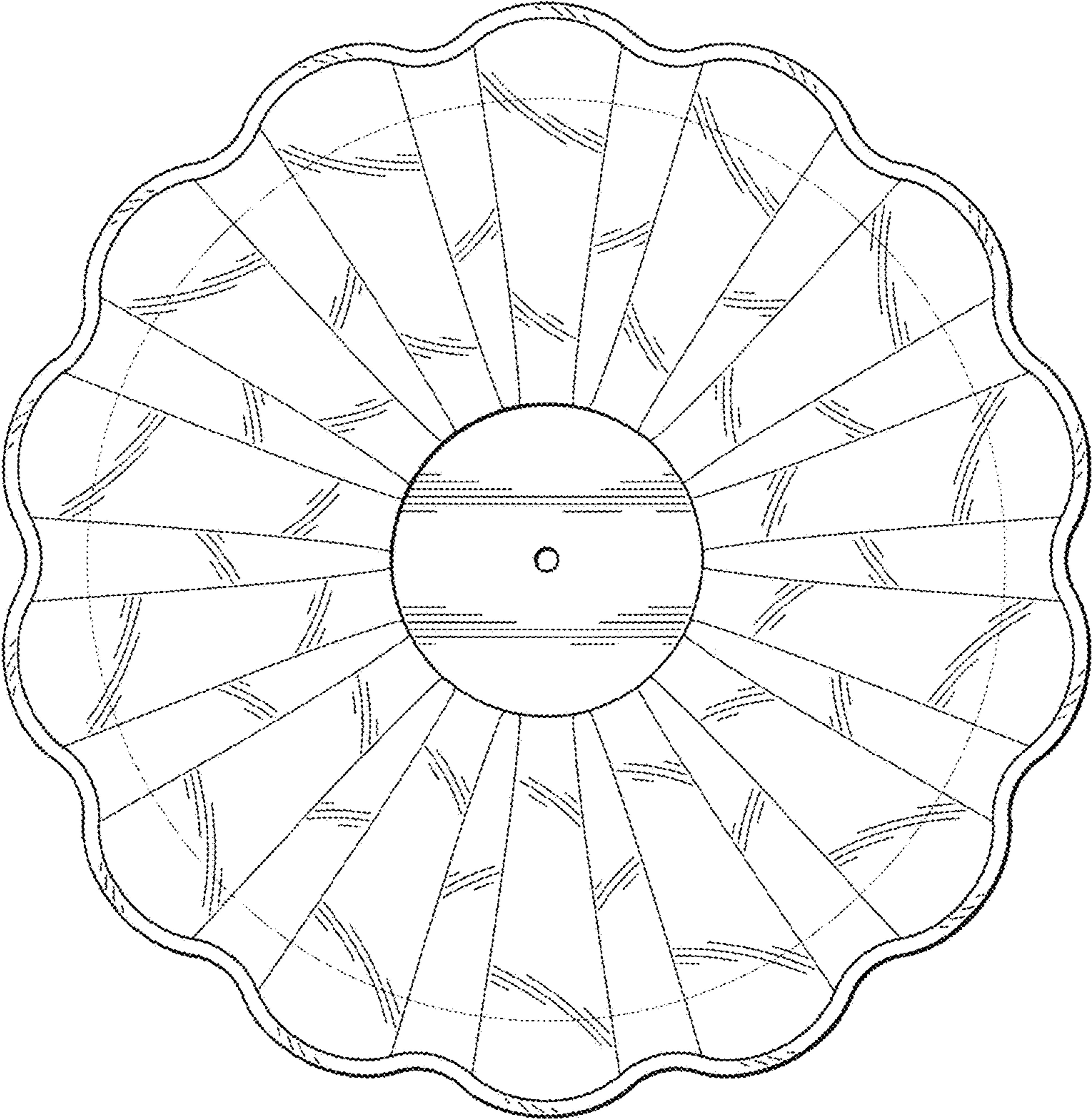


FIG. 6

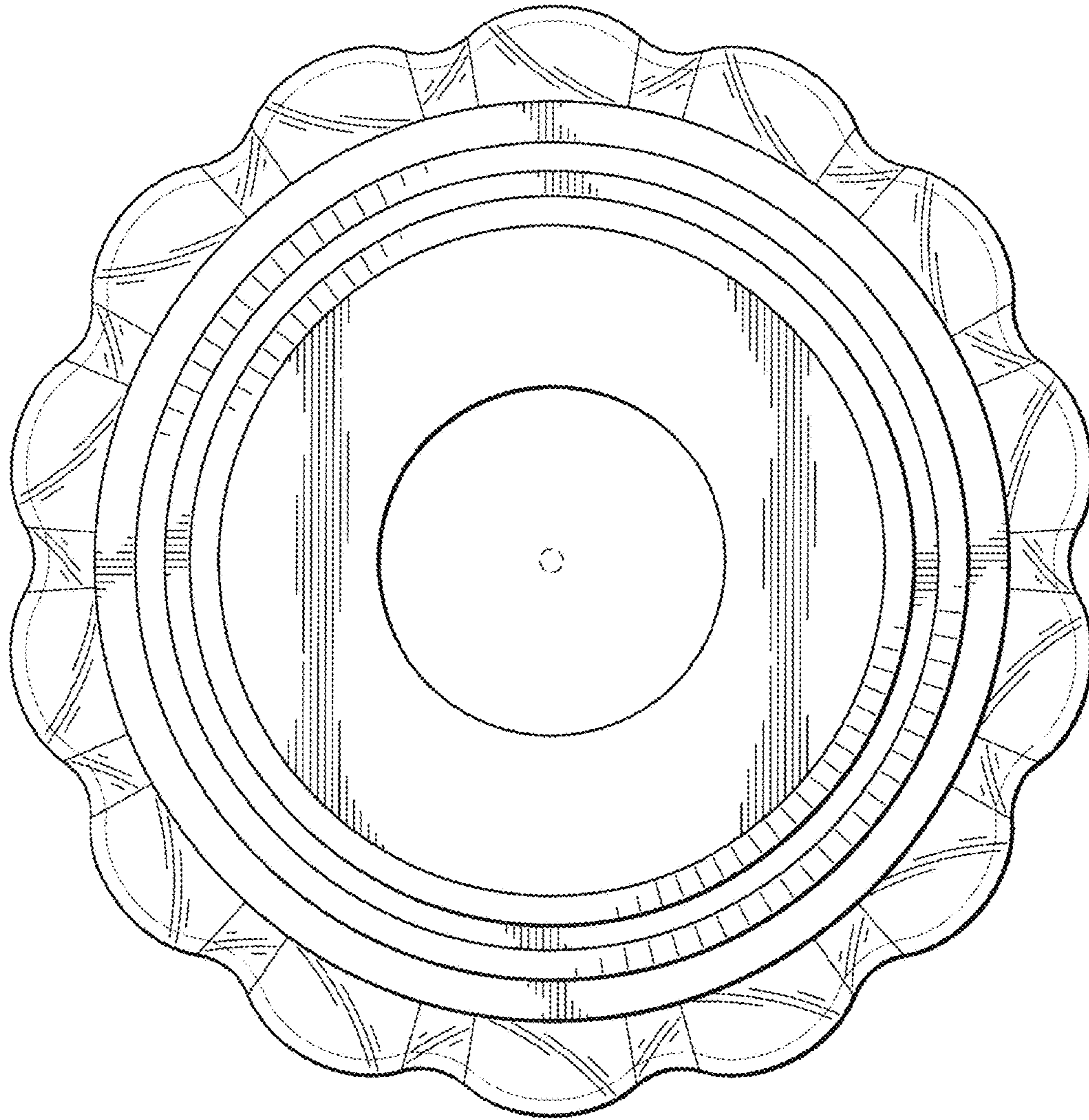


FIG. 7

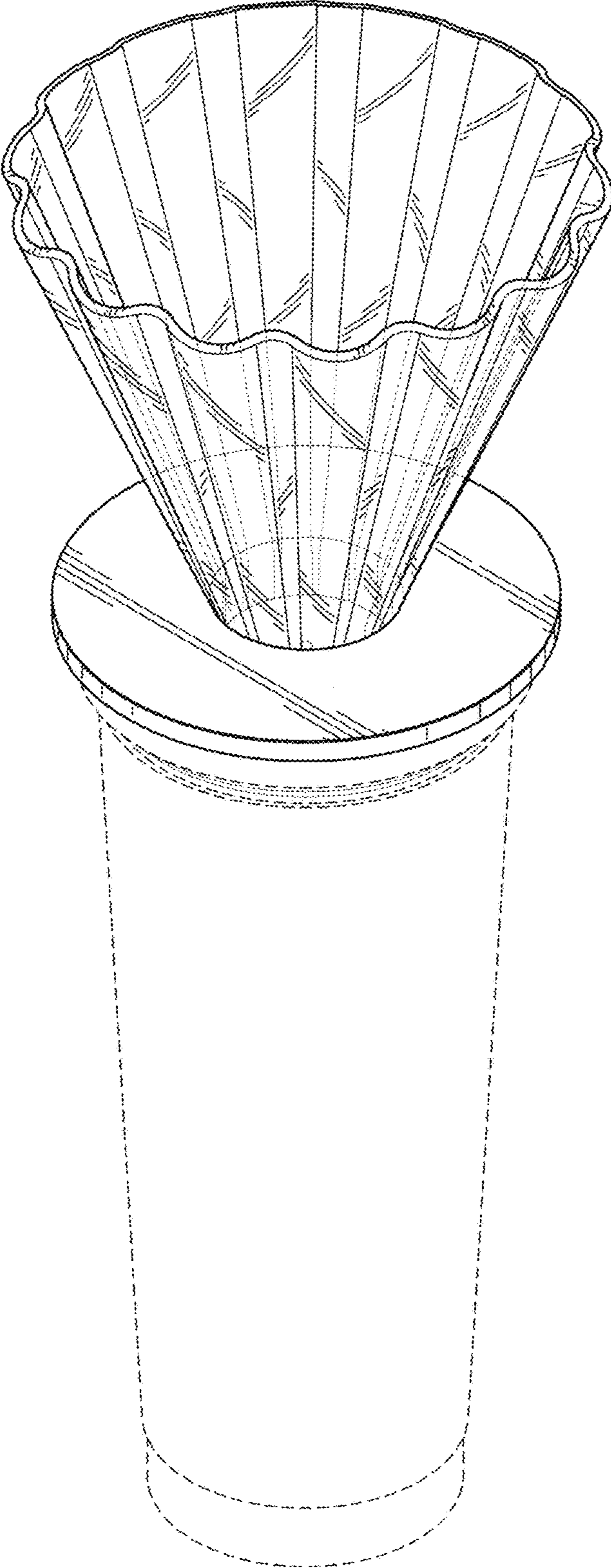


FIG. 8