



US00D828088S

(12) **United States Design Patent**
Furneau et al.

(10) **Patent No.:** **US D828,088 S**

(45) **Date of Patent:** **** Sep. 11, 2018**

- (54) **TUMBLER RIM**
- (71) Applicant: **Sovaro Coolers, LLC**, Roswell, GA (US)
- (72) Inventors: **Todd McLean Furneau**, Roswell, GA (US); **Michael Thuma**, La Grange, IL (US); **Michael R. Vogler**, Oswego, IL (US)
- (73) Assignee: **Sovaro Coolers, LLC**, Roswell, GA (US)

(**) Term: **15 Years**

(21) Appl. No.: **29/593,505**

(22) Filed: **Feb. 9, 2017**

(51) **LOC (11) Cl.** **07-99**

(52) **U.S. Cl.**
USPC **D7/396.2; D7/392.1; D9/434**

(58) **Field of Classification Search**
USPC D7/392.1, 396.2, 387, 396.3, 388, 900, D7/507, 555, 510, 511, 533, 536, 397, D7/398, 396.1, 620, 619.1, 532, 509, 608; D9/436, 434, 435, 454, 420, 414, 453, D9/555, 553, 568; 220/200, 703, 592.16, 220/592.17; D8/382, 395, 396, 394; D11/143, 153
CPC B65D 41/56; B65D 43/02; B65D 1/265; A47G 19/2216; A47G 19/22; A47G 19/2222

See application file for complete search history.

(56) **References Cited**

U.S. PATENT DOCUMENTS

- 2,899,098 A * 8/1959 Gits A47G 19/2288 215/12.1
- D198,761 S * 7/1964 Roe 215/386
- D231,068 S * 4/1974 Douglas 220/592.17

- 4,706,833 A * 11/1987 Korcz B65D 15/18 220/613
- 6,102,244 A * 8/2000 Kuwano A47G 19/2272 220/711
- D457,779 S * 5/2002 Gullickson D7/392.1
- D463,207 S * 9/2002 Norris D7/392.1
- D470,050 S * 2/2003 Renz D7/396.2
- D480,917 S * 10/2003 Holsinger D7/531
- D515,353 S * 2/2006 Martin D7/392.1
- D527,576 S * 9/2006 Gluck D7/392.1
- D529,342 S * 10/2006 Carreno D7/533
- D546,125 S * 7/2007 Bhavnani D7/523
- D558,524 S * 1/2008 Schreitmuller D7/500
- D577,958 S * 10/2008 Homma D7/509

(Continued)

Primary Examiner — Marianne Pandozzi

Assistant Examiner — Jae Liang

(74) *Attorney, Agent, or Firm* — McHale & Slavin, P.A.

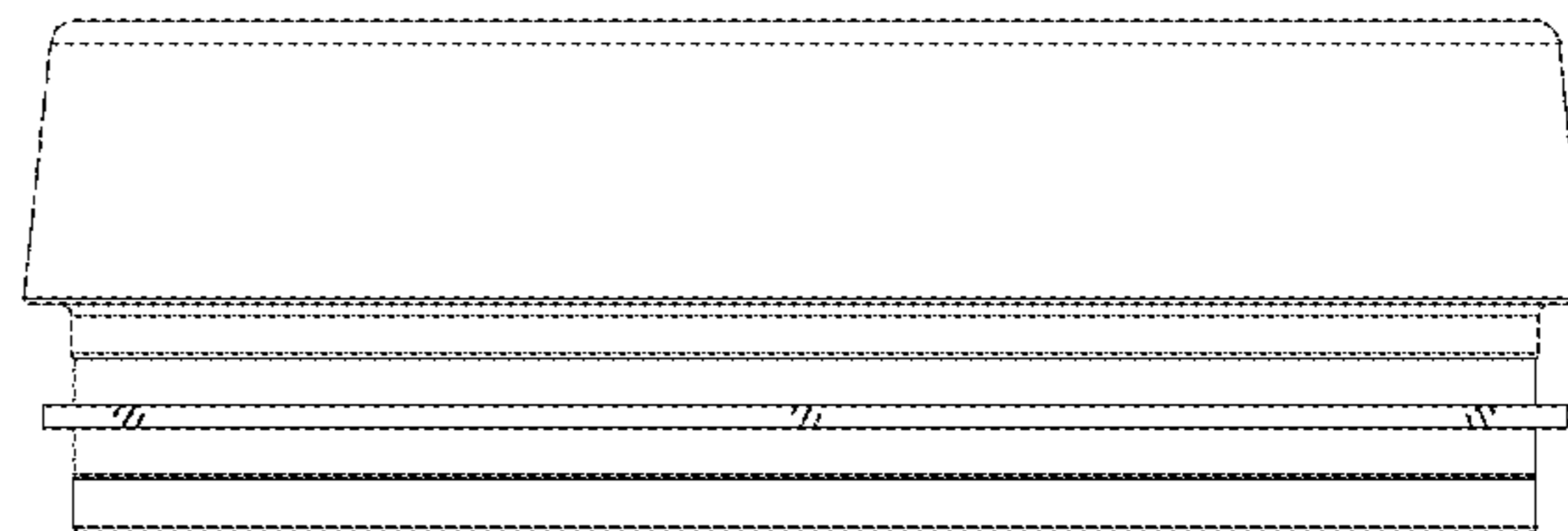
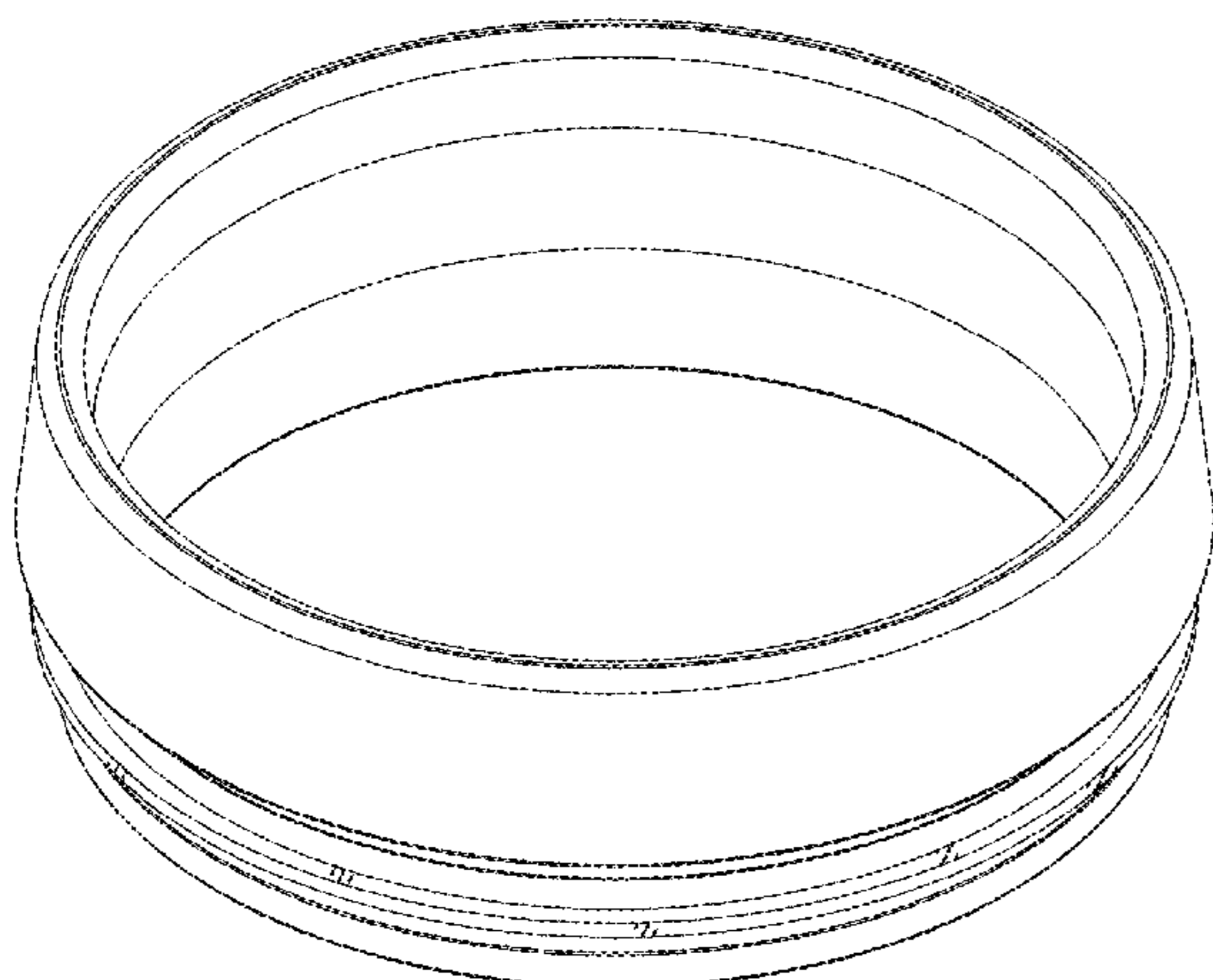
(57) **CLAIM**

The ornamental design for a tumbler rim, as shown and described.

DESCRIPTION

FIG. 1 is a top isometric view of a tumbler rim showing our new design;
 FIG. 2 is a front view thereof;
 FIG. 3 is a rear view thereof;
 FIG. 4 is a left side view thereof, the right side view being a mirror image thereof;
 FIG. 5 is a top view thereof;
 FIG. 6 is a bottom view thereof;
 FIG. 7 is a bottom isometric view thereof;
 FIG. 8 is a top isometric environmental view thereof, illustrating the tumbler rim positioned on a tumbler;
 FIG. 9 is a side environmental view thereof; and,
 FIG. 10 is a bottom isometric environmental view thereof.
 The broken lines in the drawings depict environmental subject matter only and form no part of the claimed design.

1 Claim, 10 Drawing Sheets



(56)

References Cited

U.S. PATENT DOCUMENTS

D581,211 S * 11/2008 Lapsker D7/396.2
 D586,182 S * 2/2009 Trombly D7/509
 D586,620 S * 2/2009 Sands D7/507
 D591,556 S * 5/2009 Fuller D7/396.1
 7,549,556 B2 * 6/2009 Miller A47G 19/2272
 137/853
 D603,218 S * 11/2009 Hollinger D7/378
 D618,050 S * 6/2010 Eisenhardt D7/392.1
 D622,549 S * 8/2010 Carreno D7/510
 D633,387 S * 3/2011 Gatto D9/434
 D670,419 S * 11/2012 Fissell D26/51
 8,667,735 B2 * 3/2014 Harbaugh A01G 9/021
 47/66.1
 D702,086 S * 4/2014 Thurlow D7/510
 D720,186 S * 12/2014 Lane D7/533
 D733,491 S * 7/2015 Gluck D7/392.1

D752,975 S * 4/2016 Gatto D9/434
 D760,021 S * 6/2016 Lapsker D7/394
 D786,673 S * 5/2017 Moffat D7/392.1
 D790,272 S * 6/2017 Han D7/396.2
 D798,720 S * 10/2017 Logel D9/516
 D802,362 S * 11/2017 Spivey D7/396.2
 D803,917 S * 11/2017 Harada D15/144.1
 D804,306 S * 12/2017 Simons D9/454
 D811,161 S * 2/2018 Boroski D7/394
 D811,226 S * 2/2018 Logel D9/516
 2006/0231559 A1 * 10/2006 Allen A45F 3/18
 220/501
 2009/0250461 A1 * 10/2009 Syrkos A47G 19/2272
 220/254.1
 2010/0200602 A1 * 8/2010 Chan A47G 19/2272
 220/714
 2011/0284535 A1 * 11/2011 Ide B65D 15/08
 220/200

* cited by examiner

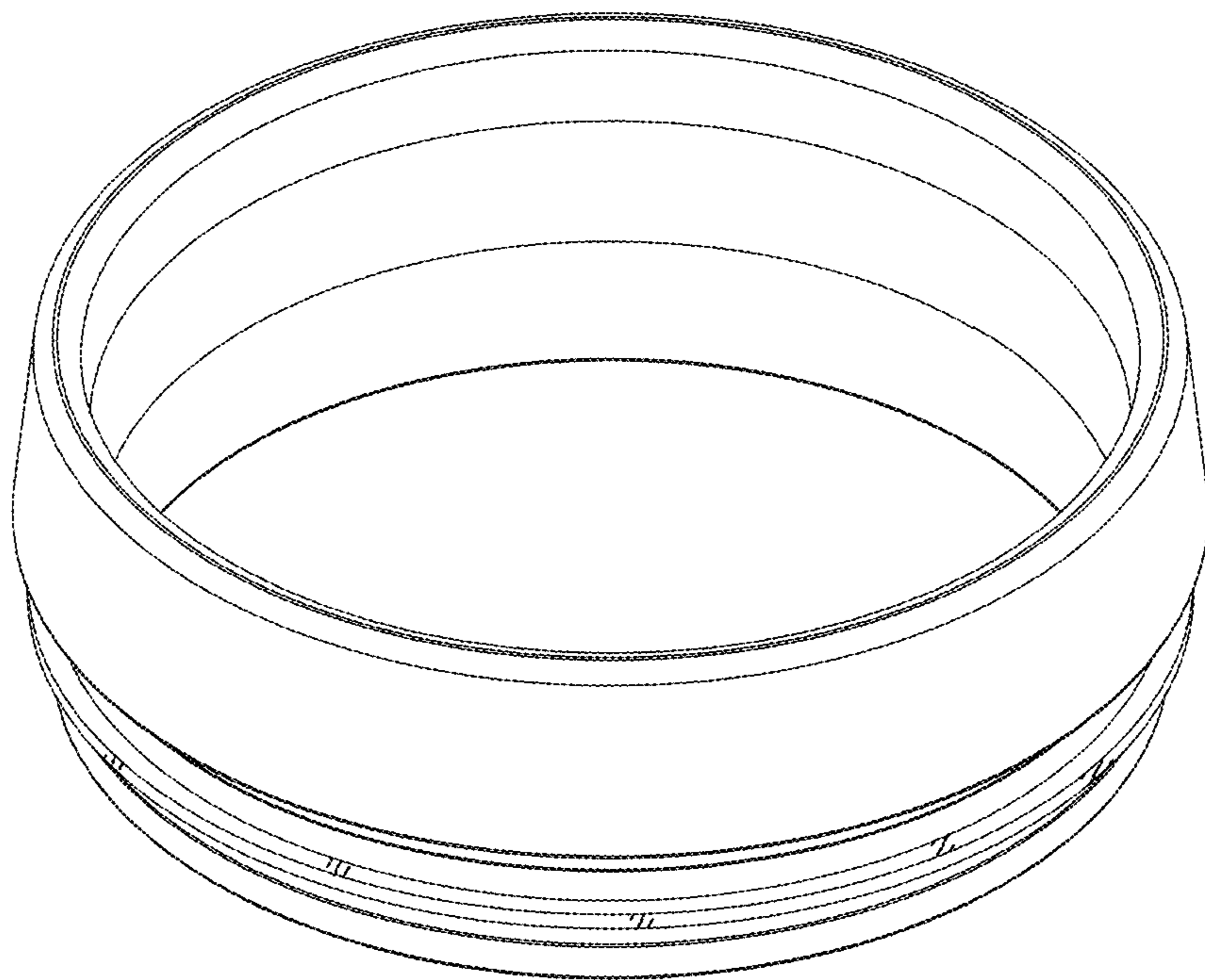


Fig. 1

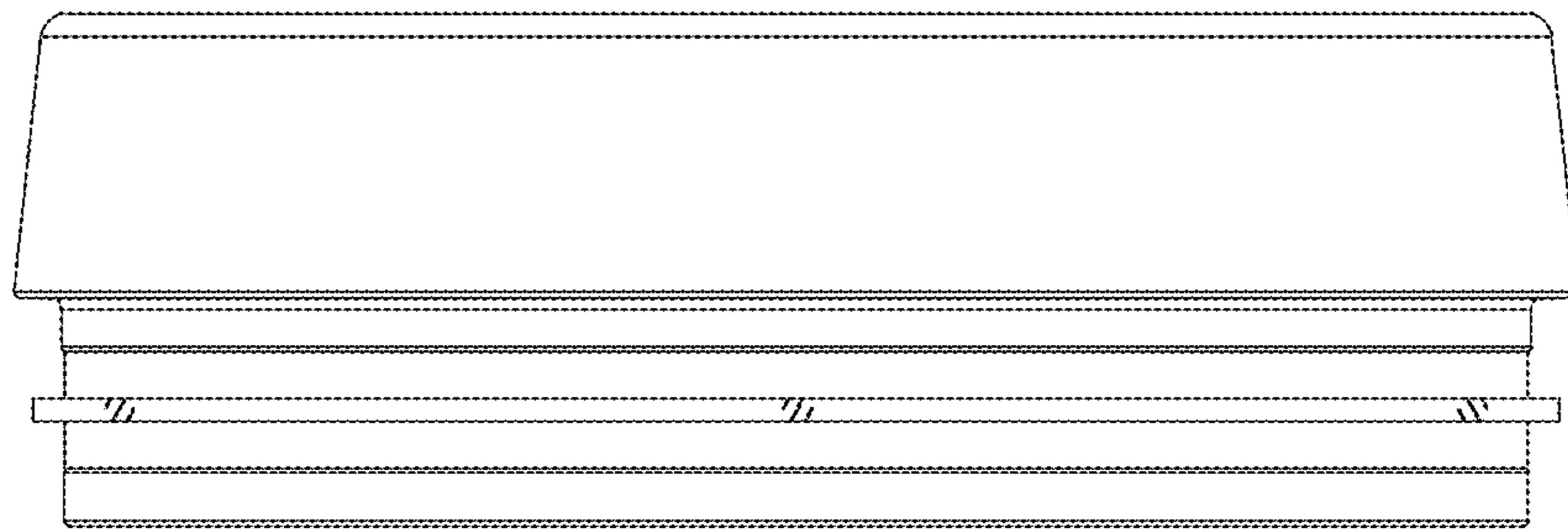


Fig. 2

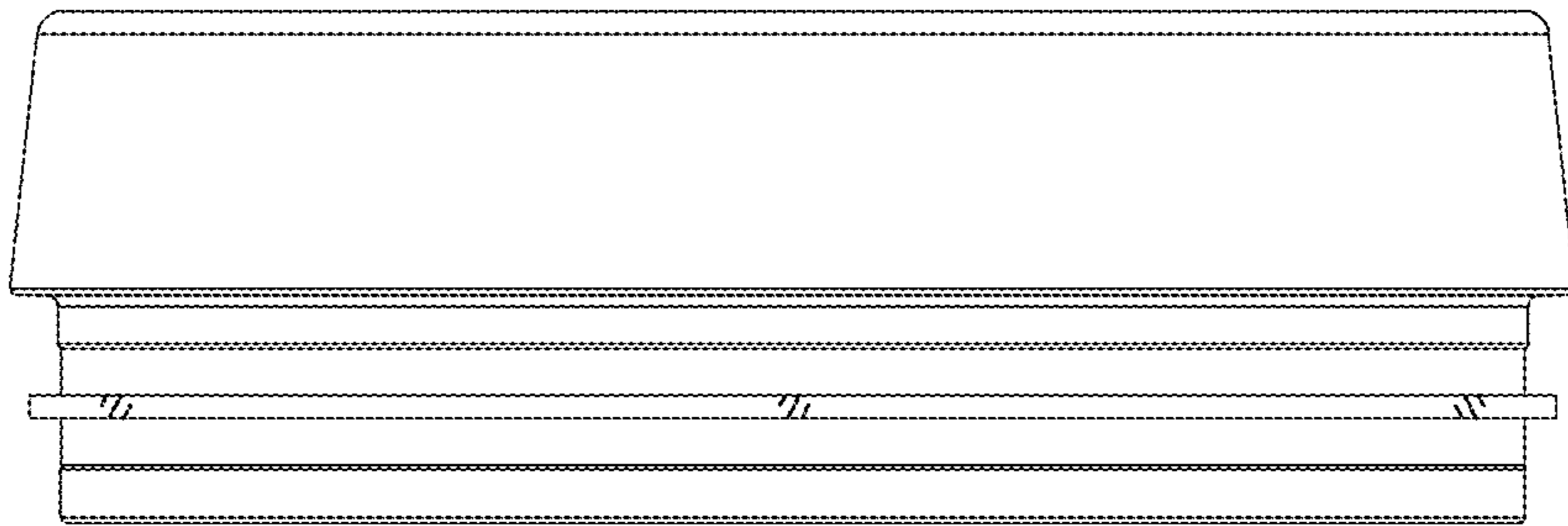


Fig. 3

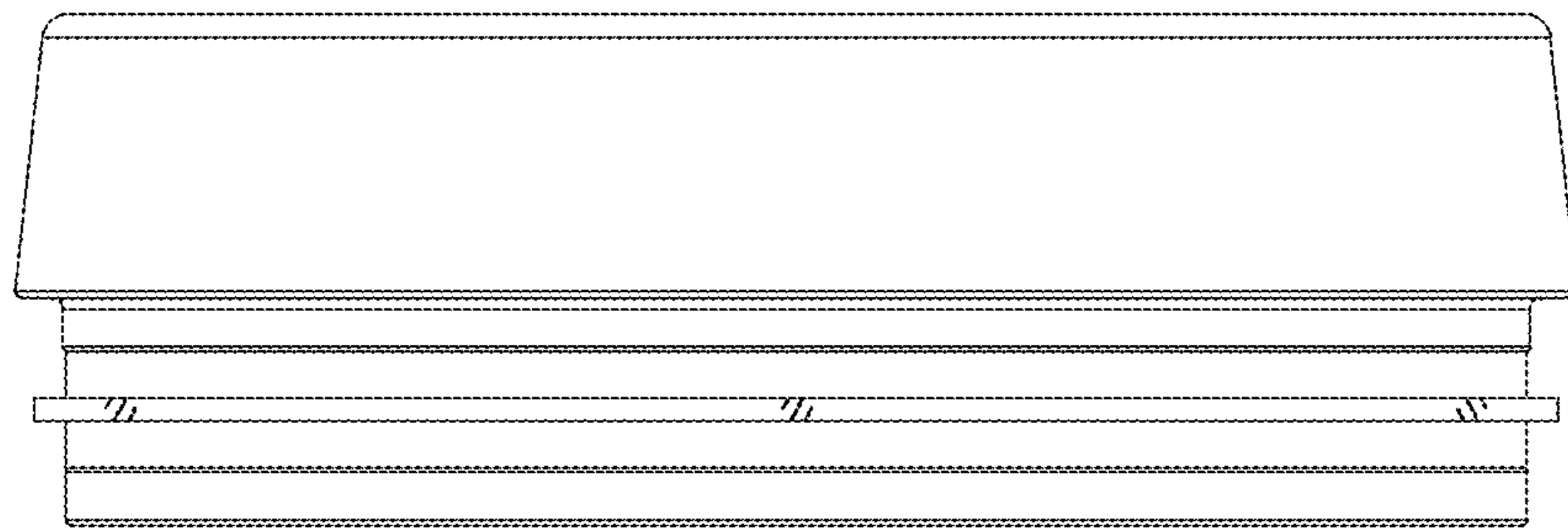


Fig. 4

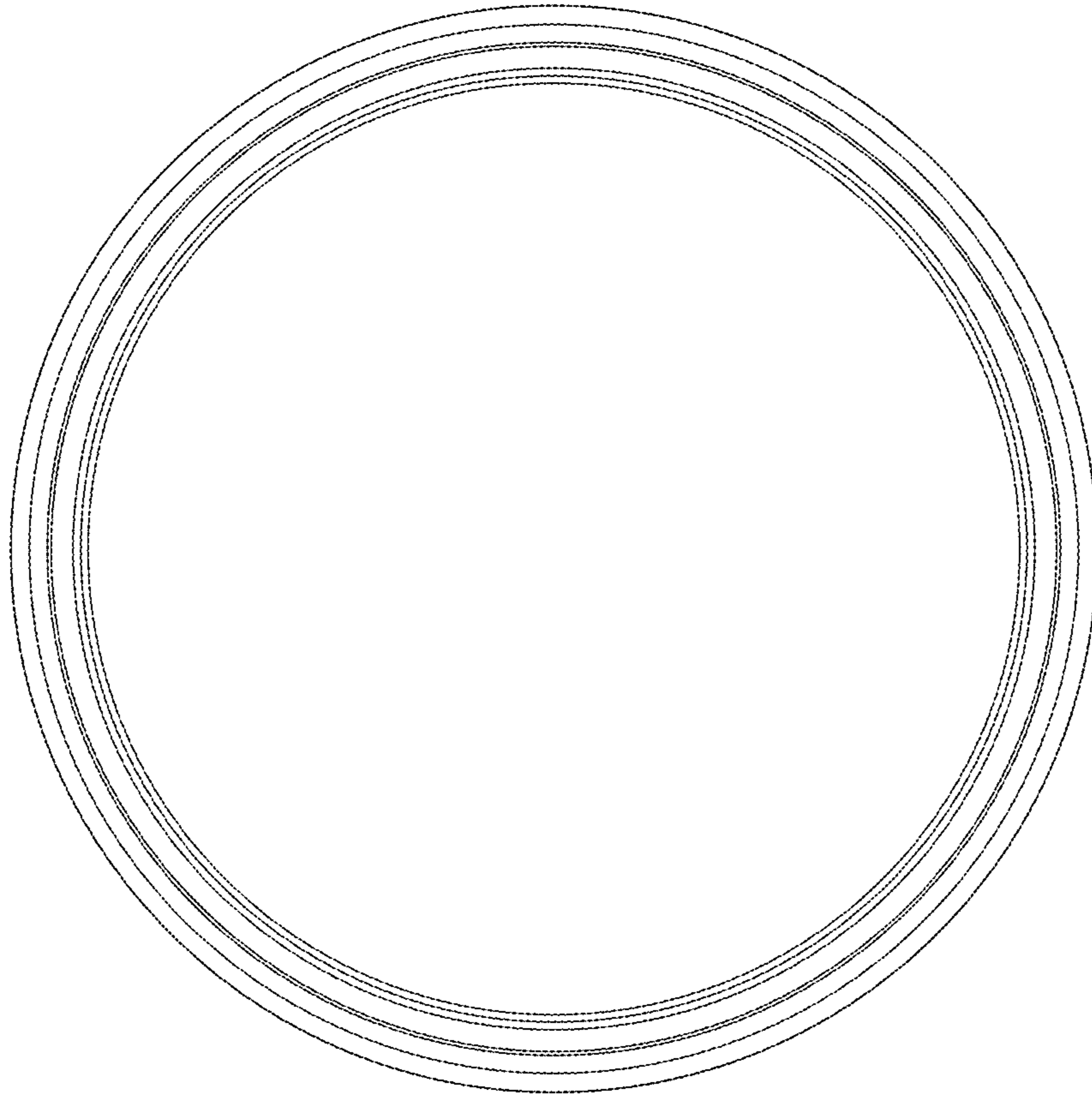


Fig. 5

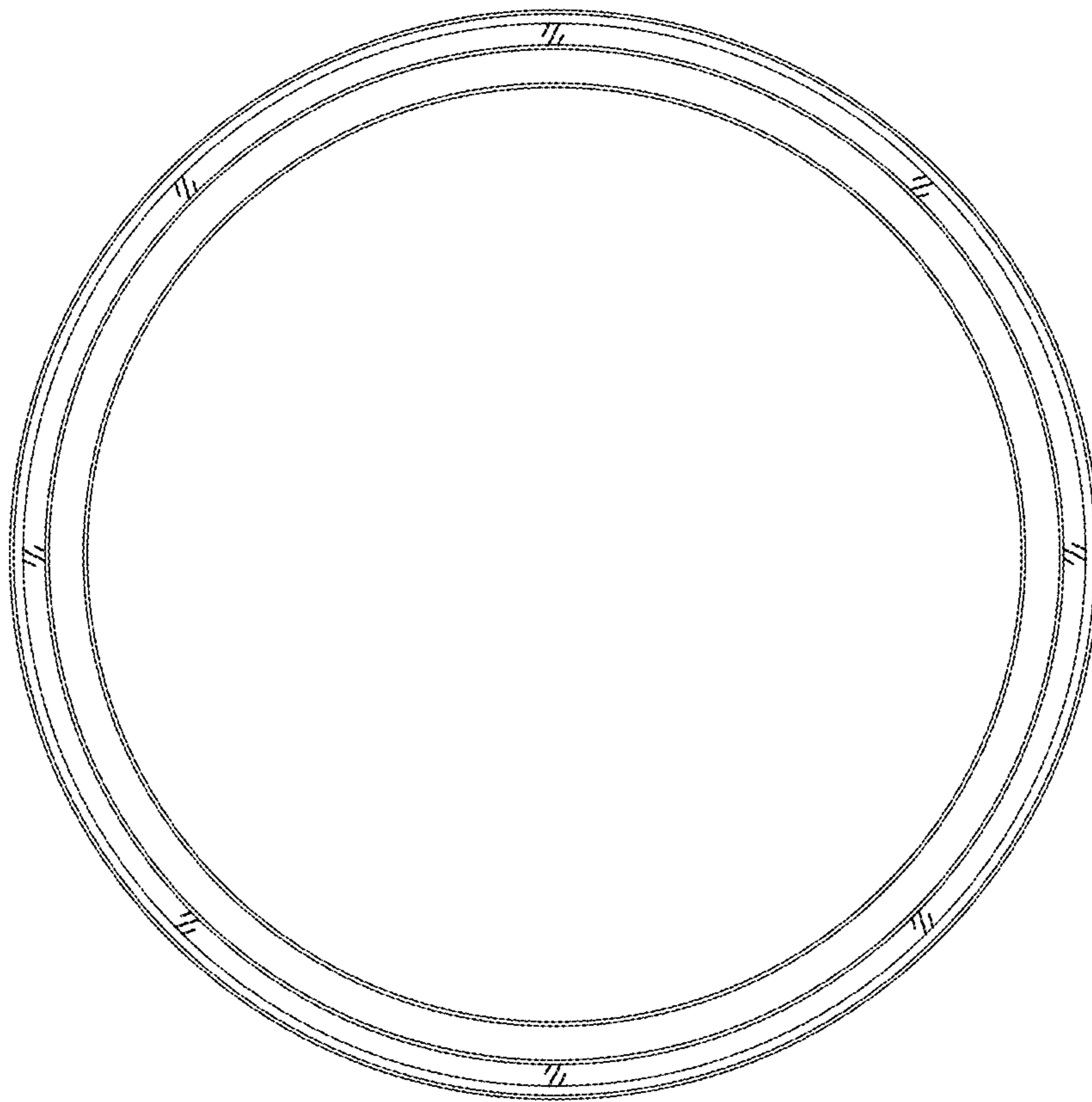


Fig. 6

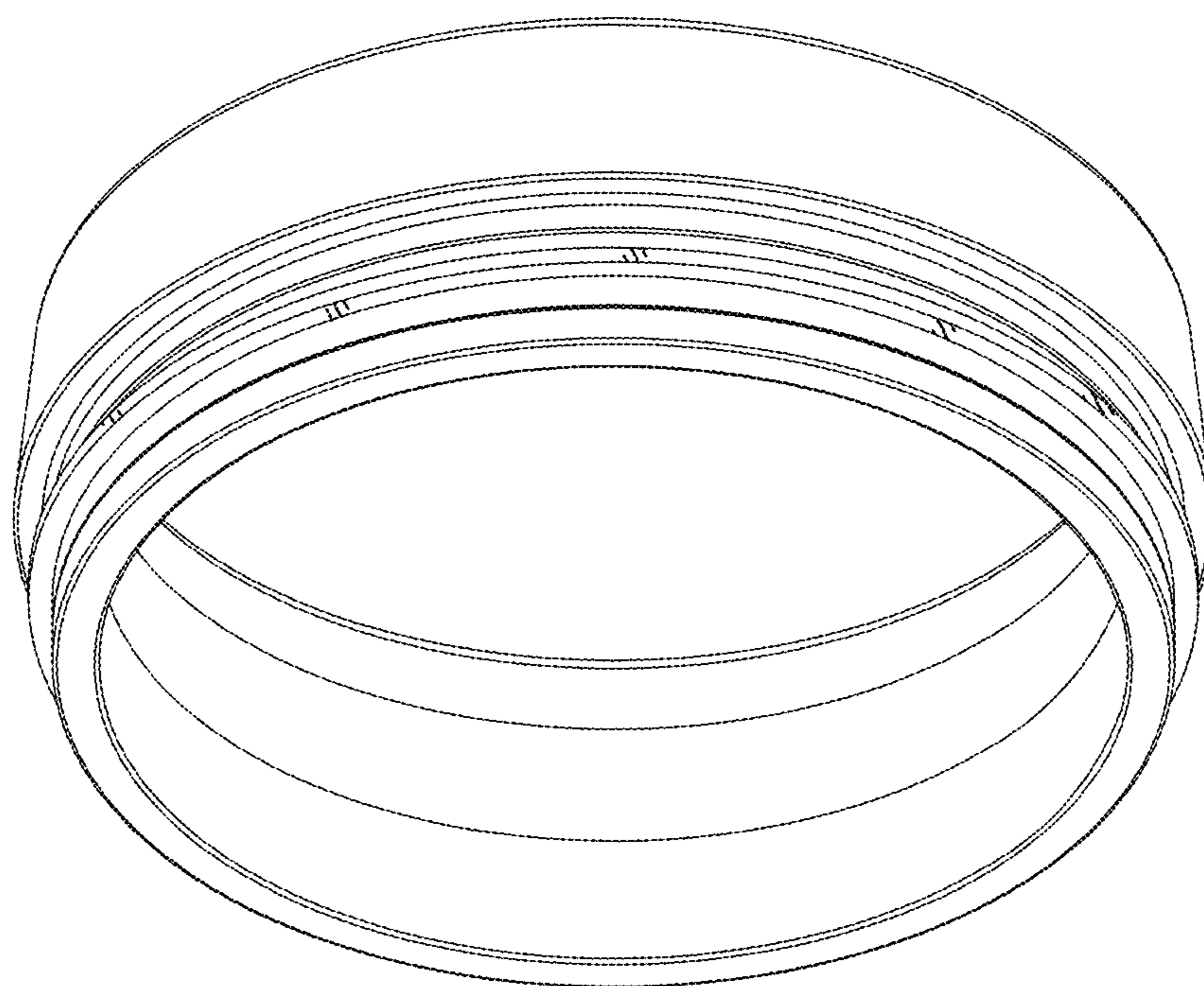


Fig. 7

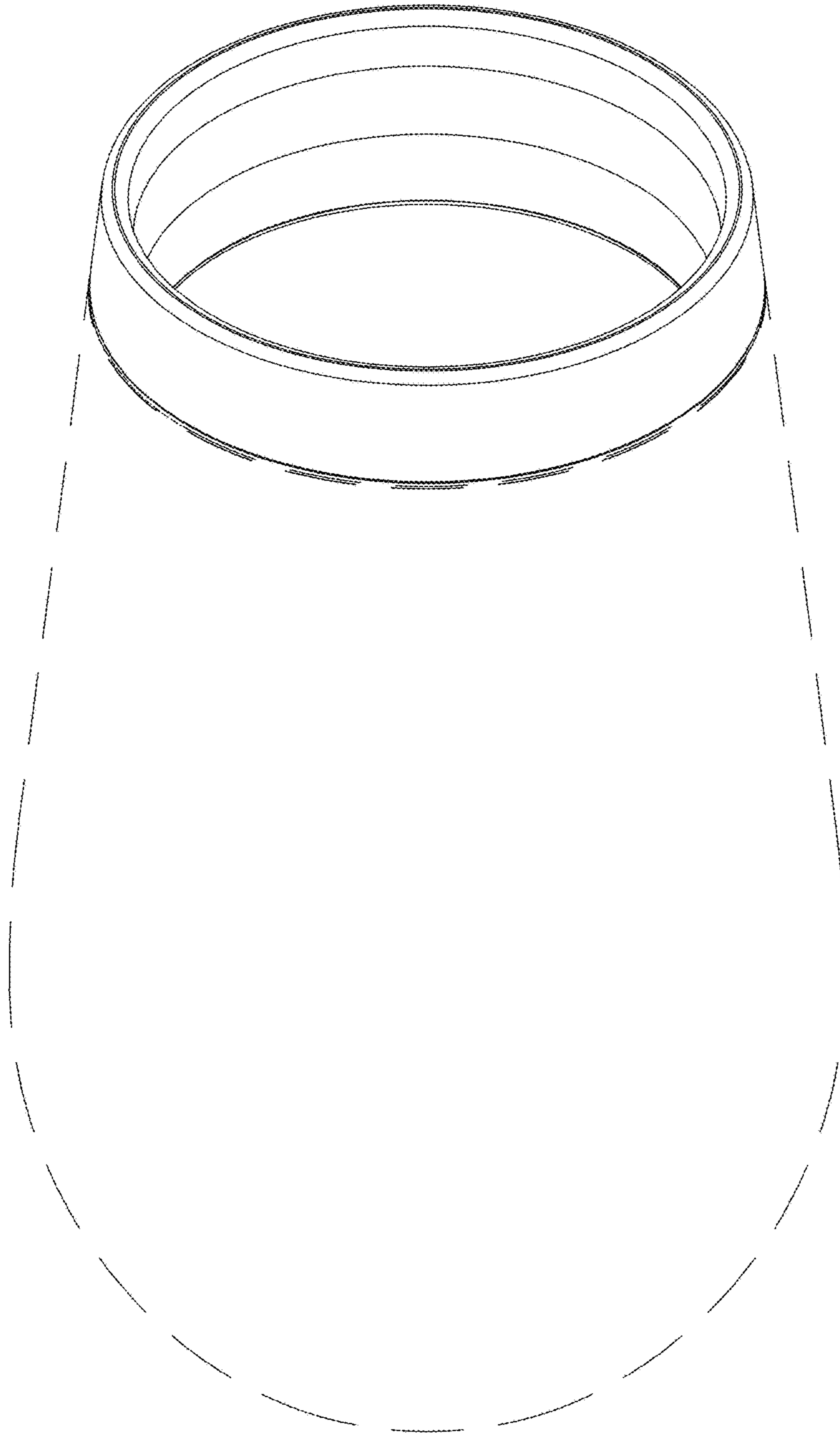


Fig. 8

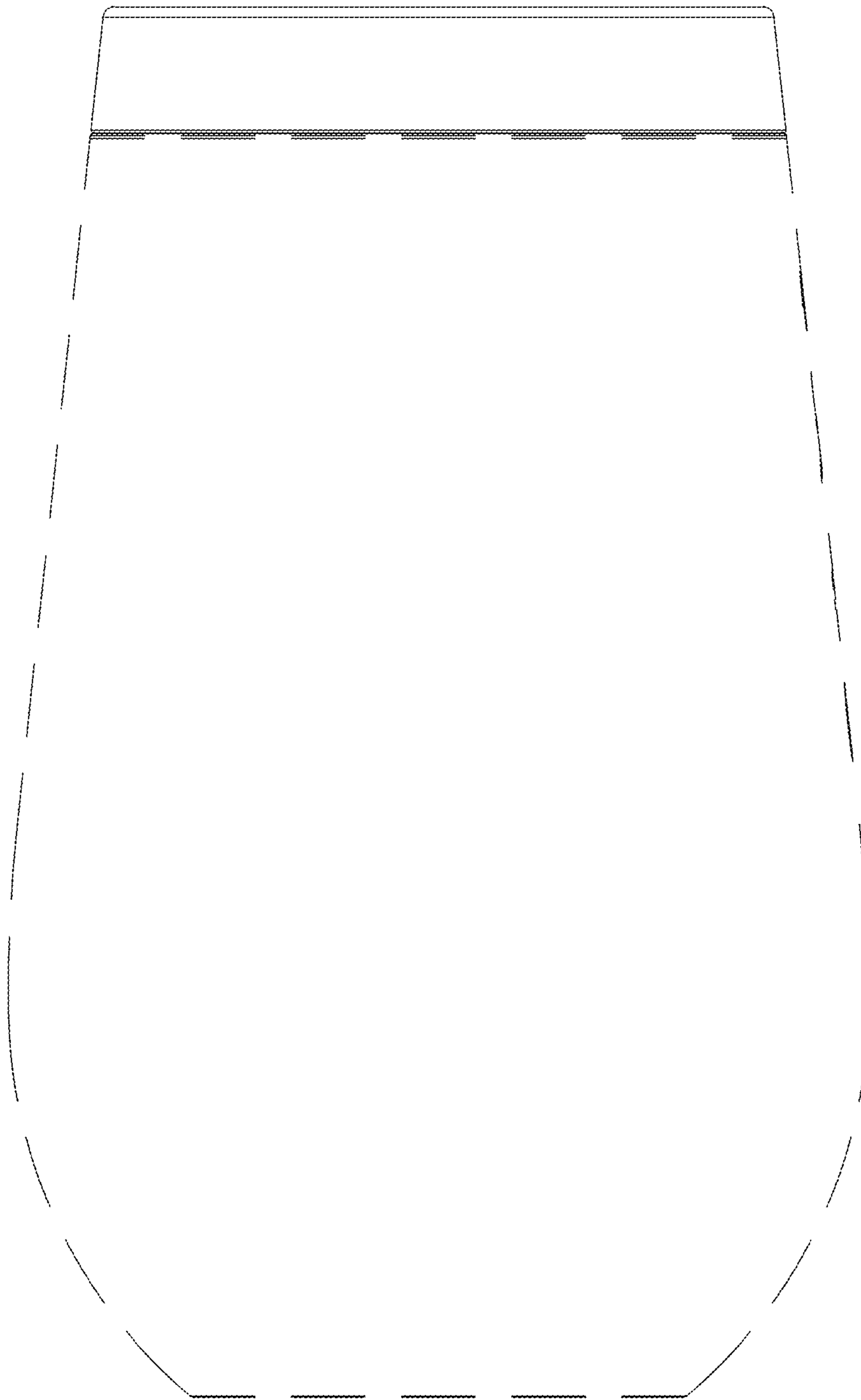


Fig. 9

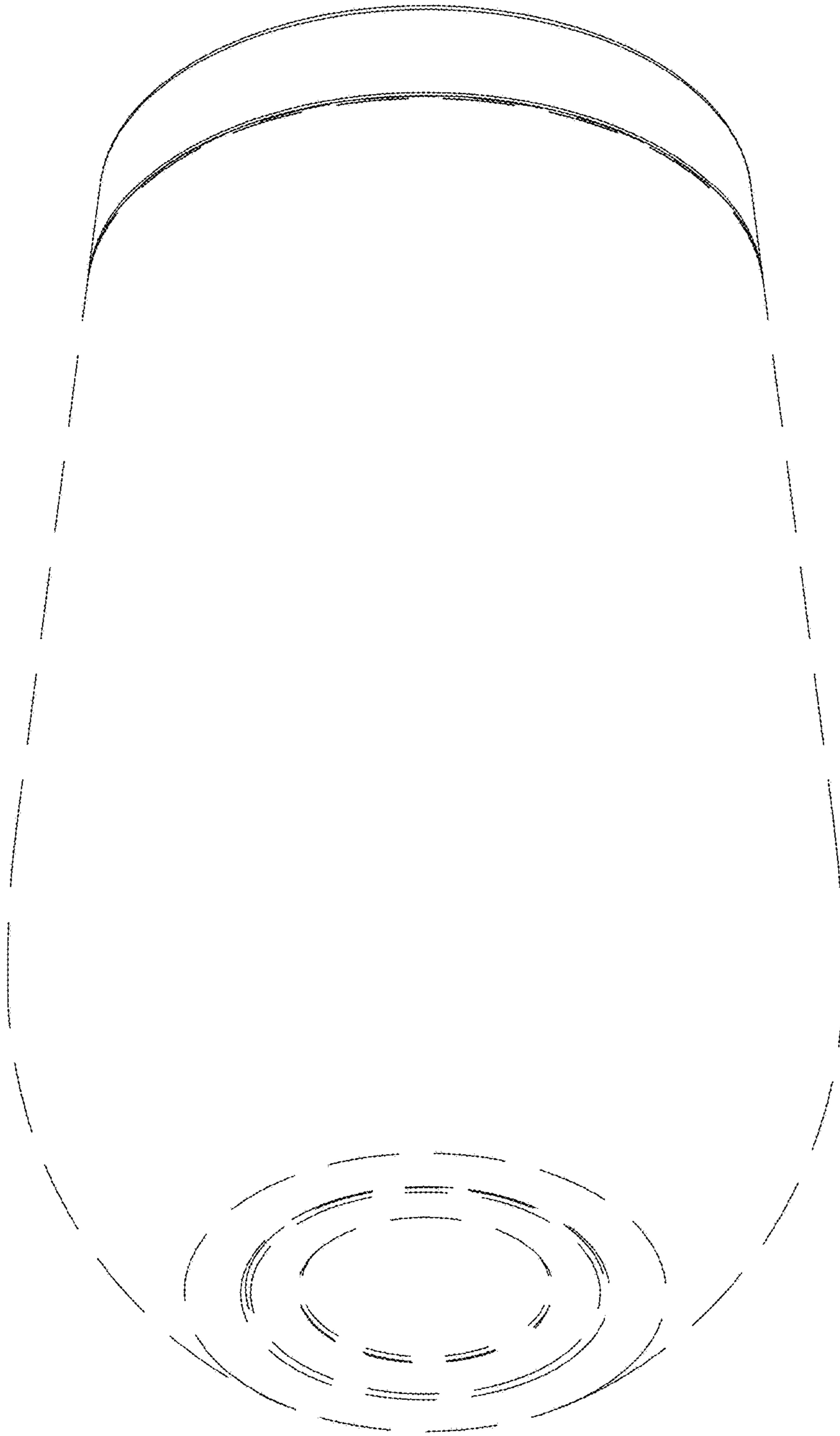


Fig. 10