



US00D828087S

(12) **United States Design Patent**
Munari

(10) **Patent No.:** **US D828,087 S**

(45) **Date of Patent:** **** Sep. 11, 2018**

(54) **HANDLE FOR COOKWARE**

(71) Applicant: **LA TERMOPLASTIC F.B.M. S.R.L.**,
Arsago Seprio (VA) (IT)

(72) Inventor: **Marco Munari**, Cardano Al Campo
(IT)

(73) Assignee: **LA TERMOPLASTIC F.B.M. S.R.L.**,
Arsago Seprio (VA) (IT)

(**) Term: **15 Years**

(21) Appl. No.: **29/583,077**

(22) Filed: **Nov. 2, 2016**

(30) **Foreign Application Priority Data**

May 2, 2016 (EM) 003105485

(51) **LOC (11) Cl.** **07-02**

(52) **U.S. Cl.**
USPC **D7/395**

(58) **Field of Classification Search**

USPC D7/354-361, 393-395, 401.2, 664;
D8/107, 300, 303, 307, 313, 321;
D4/138, 129

CPC A47J 45/06; A47J 45/061; A47J 45/62;
A47J 45/08; A47J 45/085; A47J 45/071;
A47J 45/072; B65D 25/2802; B65D
25/2882; B65D 25/2885; B65D 25/2888;
B65D 25/2894; Y10S 220/912

See application file for complete search history.

(56) **References Cited**

U.S. PATENT DOCUMENTS

D423,282 S * 4/2000 Montgelard D7/395
D443,175 S * 6/2001 Coudurier D7/395

D514,378 S * 2/2006 Magnouloux D7/395
D561,525 S * 2/2008 Dall'Asta D7/395
D575,984 S * 9/2008 Coppi D7/395
D584,104 S * 1/2009 Munari D7/393
D618,961 S * 7/2010 Chafai D7/395
D637,037 S * 5/2011 Bergne D7/395
D670,538 S * 11/2012 Rutter D7/395
D736,032 S * 8/2015 Munari D7/395
D784,756 S * 4/2017 Dingjian D7/395

* cited by examiner

Primary Examiner — Cynthia M Chin

(74) *Attorney, Agent, or Firm* — Hedman & Costigan,
P.C.; James V. Costigan; Kathleen A. Costigan

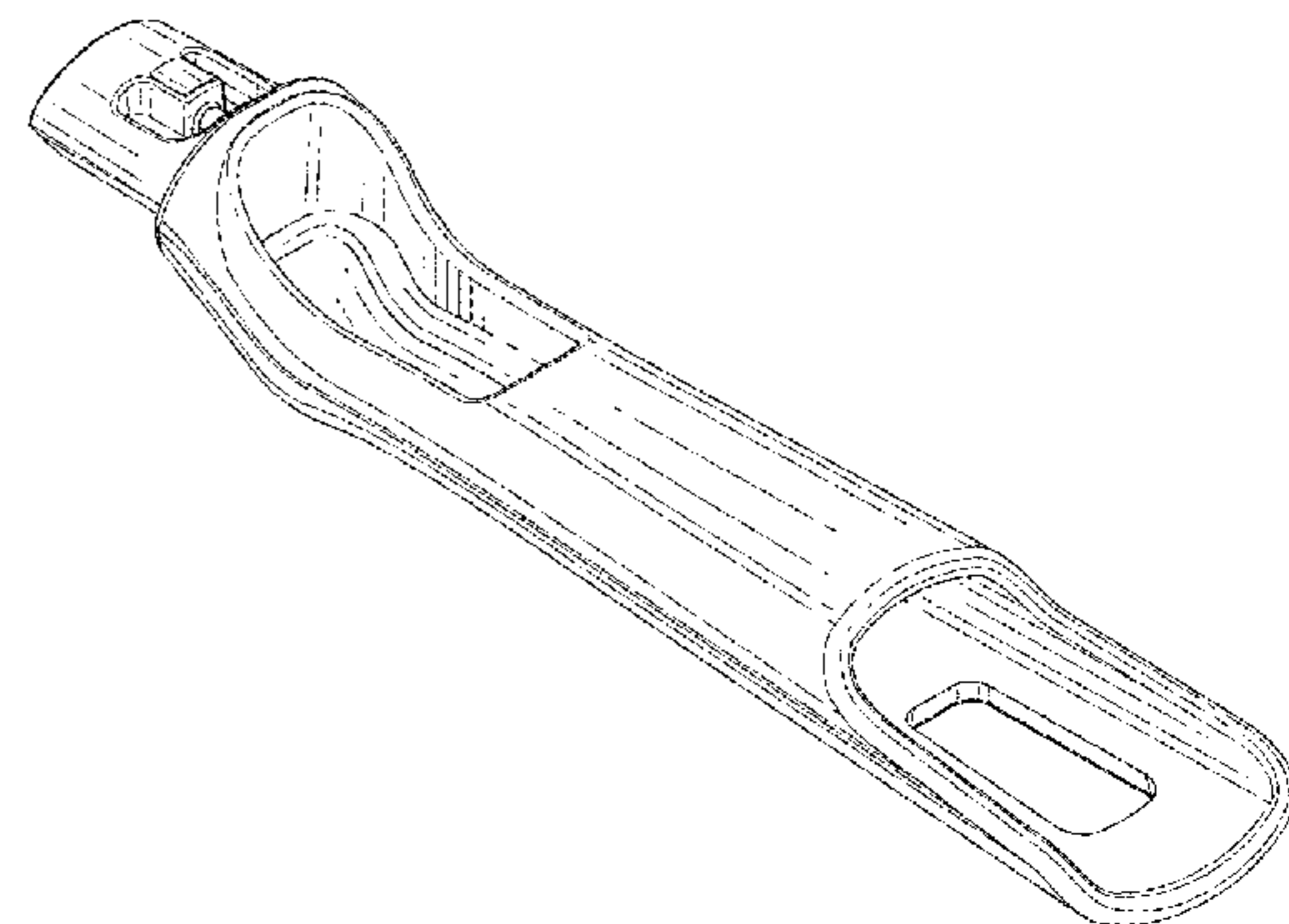
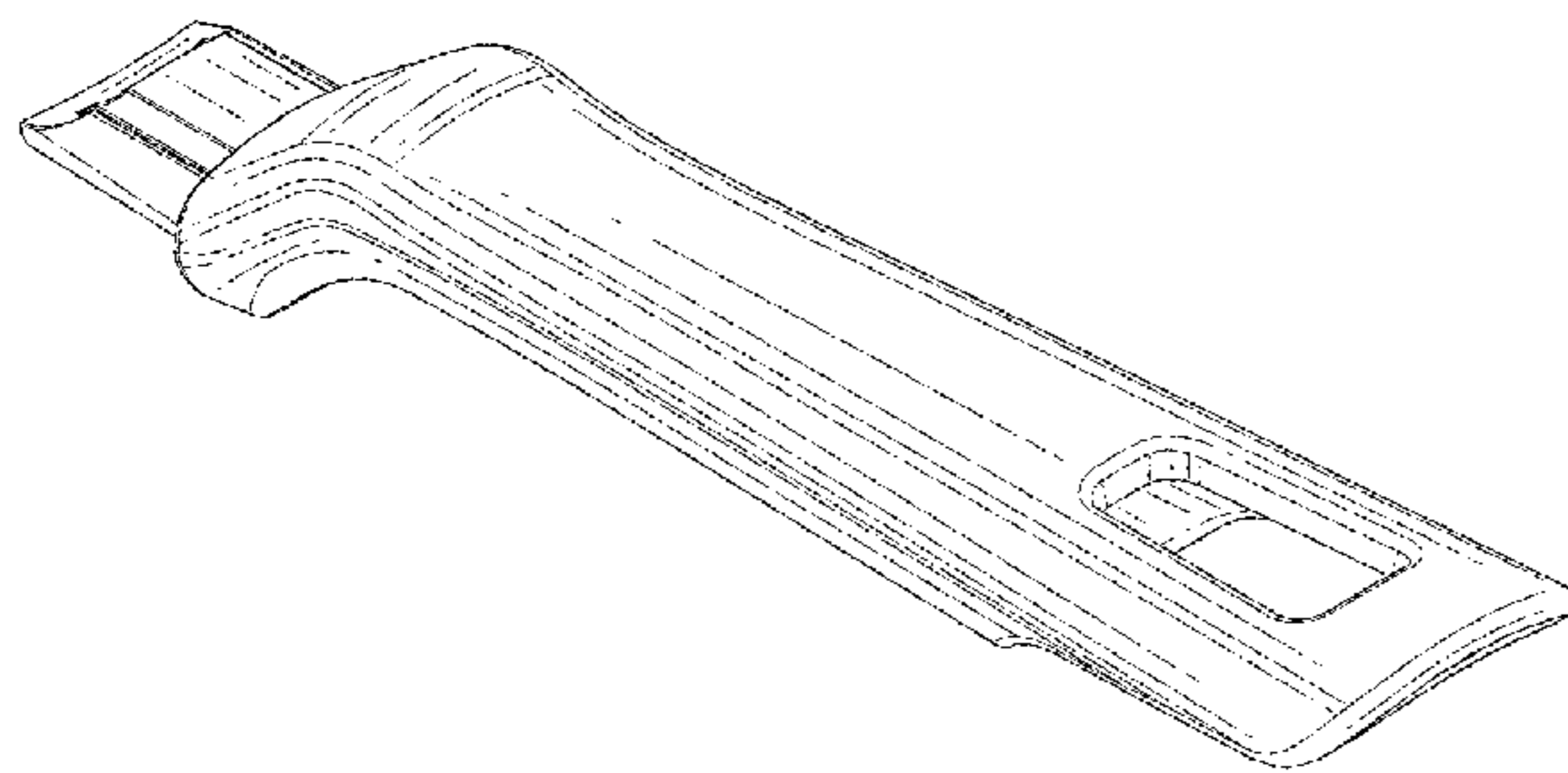
(57) **CLAIM**

I claim the ornamental design for a handle for cookware, as shown and described.

DESCRIPTION

FIG. 1 is a top perspective view of a handle for cookware according to the present invention;
FIG. 2 is a left side elevational view thereof;
FIG. 3 is a right side elevational view thereof;
FIG. 4 is a front elevational view thereof;
FIG. 5 is a rear elevational view thereof;
FIG. 6 is top plan view thereof;
FIG. 7 is a bottom plan view thereof; and,
FIG. 8 is a bottom perspective view thereof.
The portions of the handle for cookware shown in broken lines form no part of the claimed design.

1 Claim, 2 Drawing Sheets



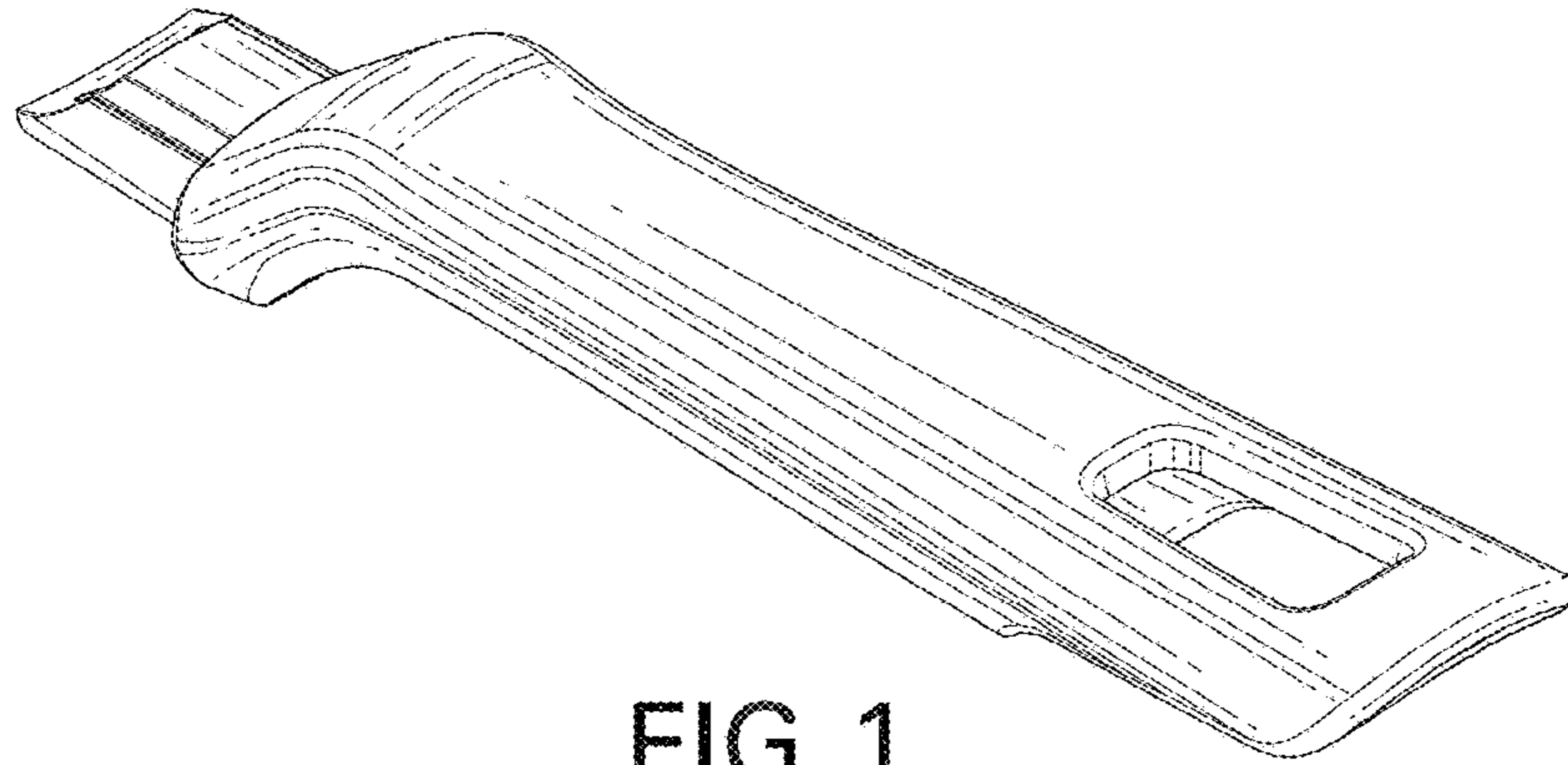


FIG. 1

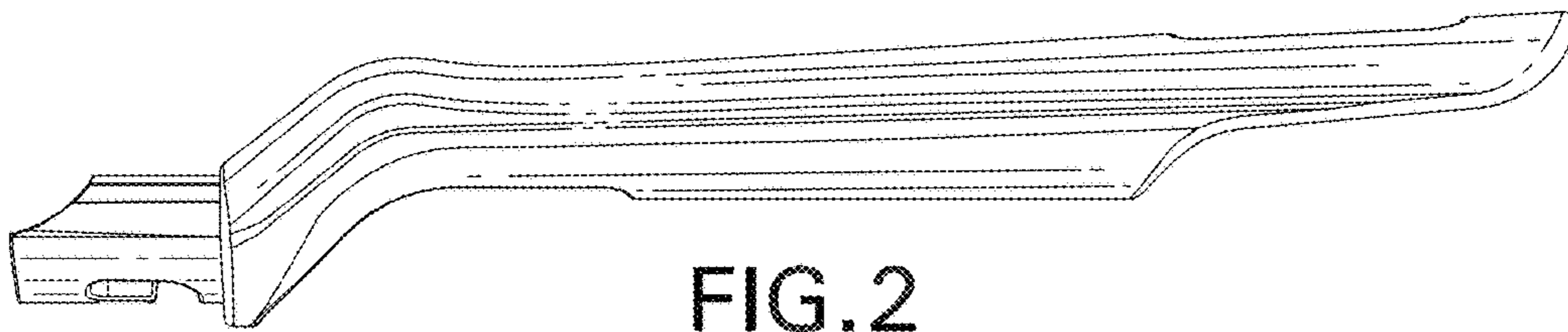


FIG. 2



FIG. 3

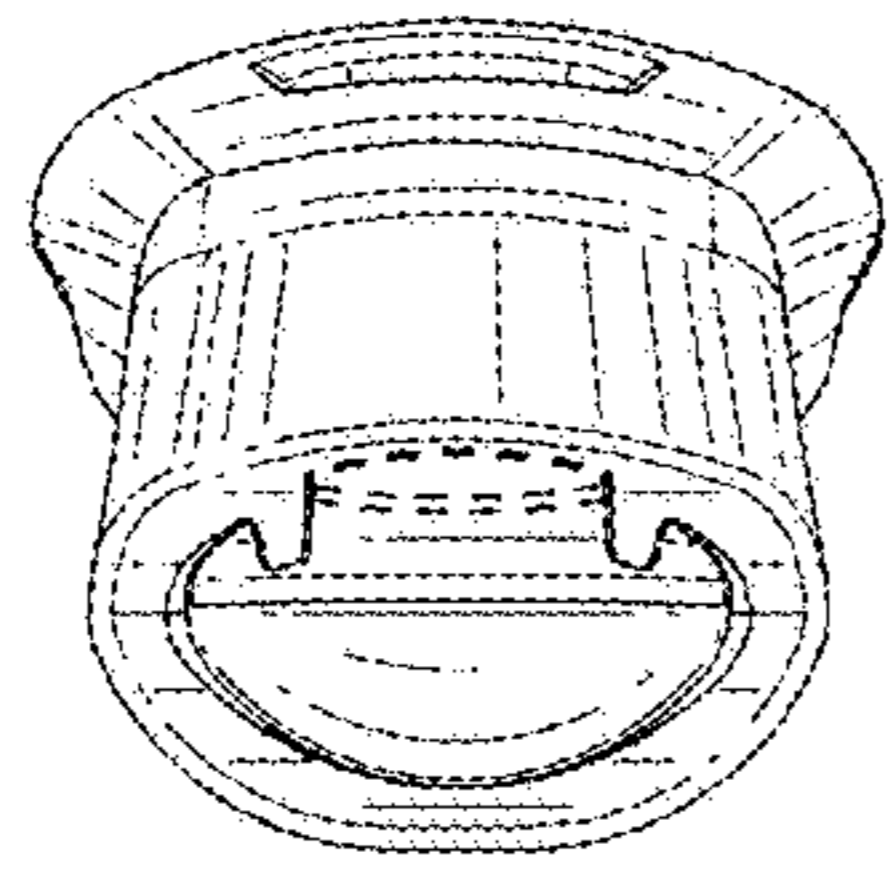


FIG. 4

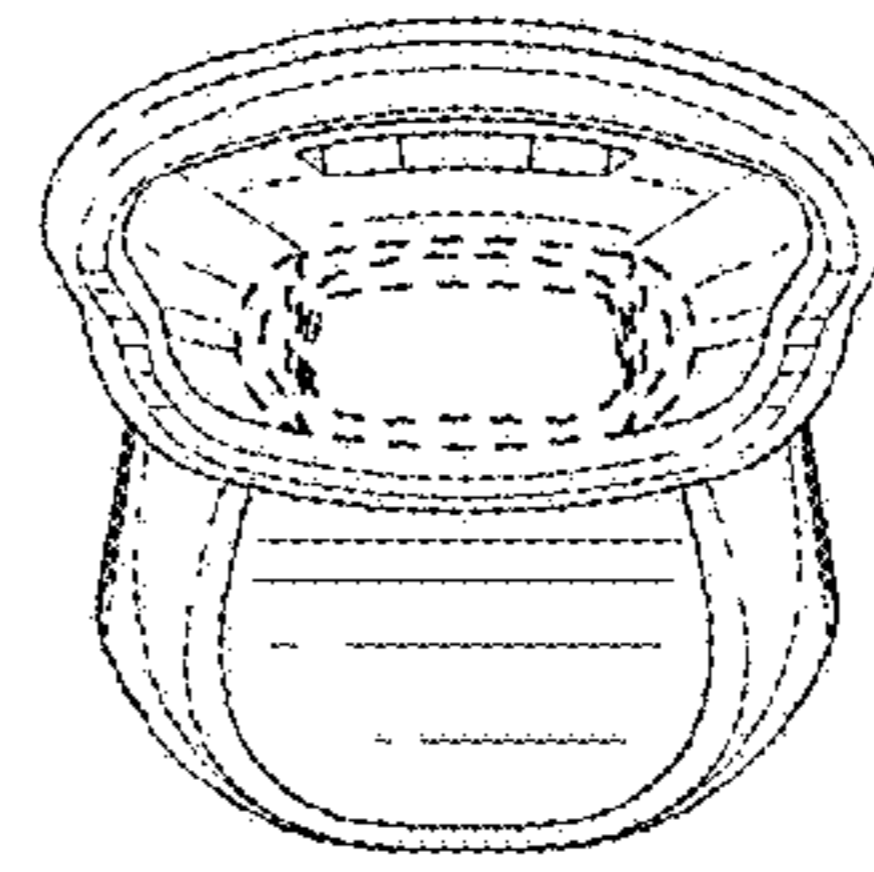


FIG. 5

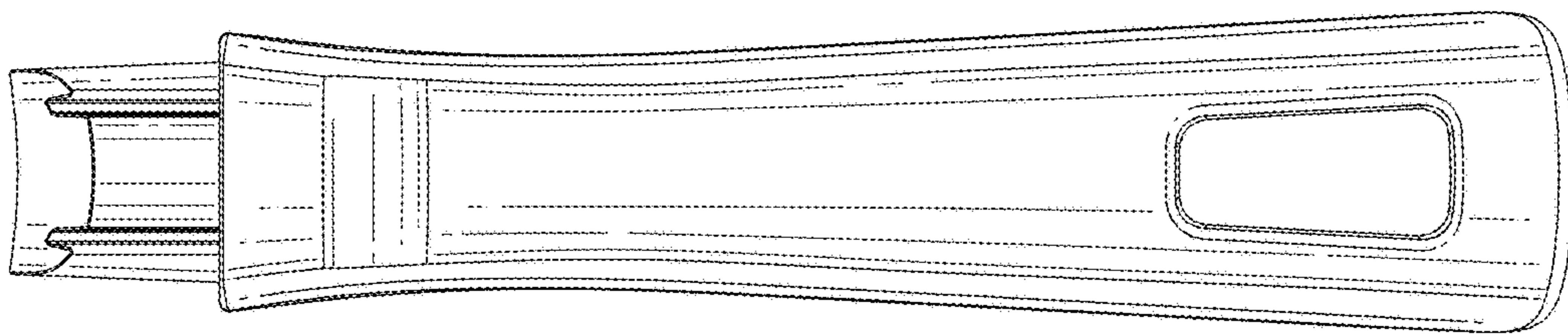


FIG. 6

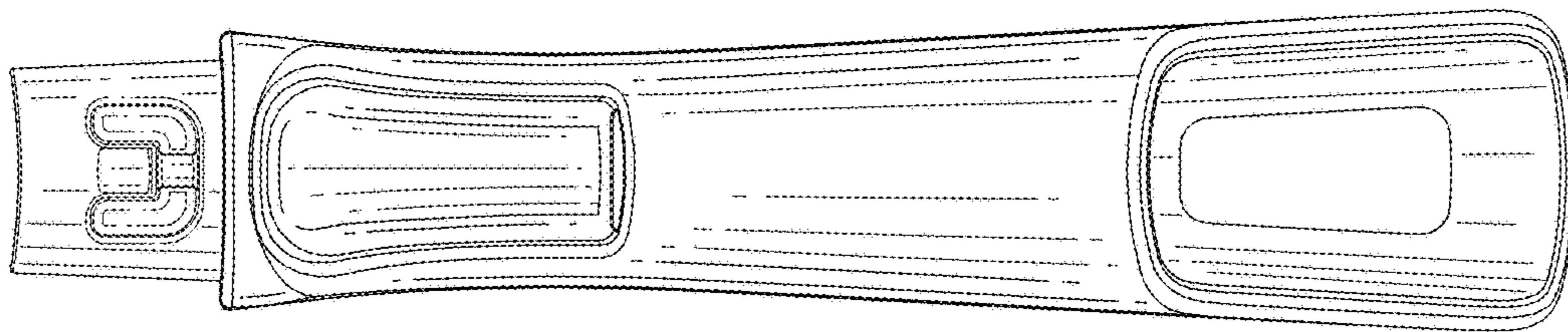


FIG. 7

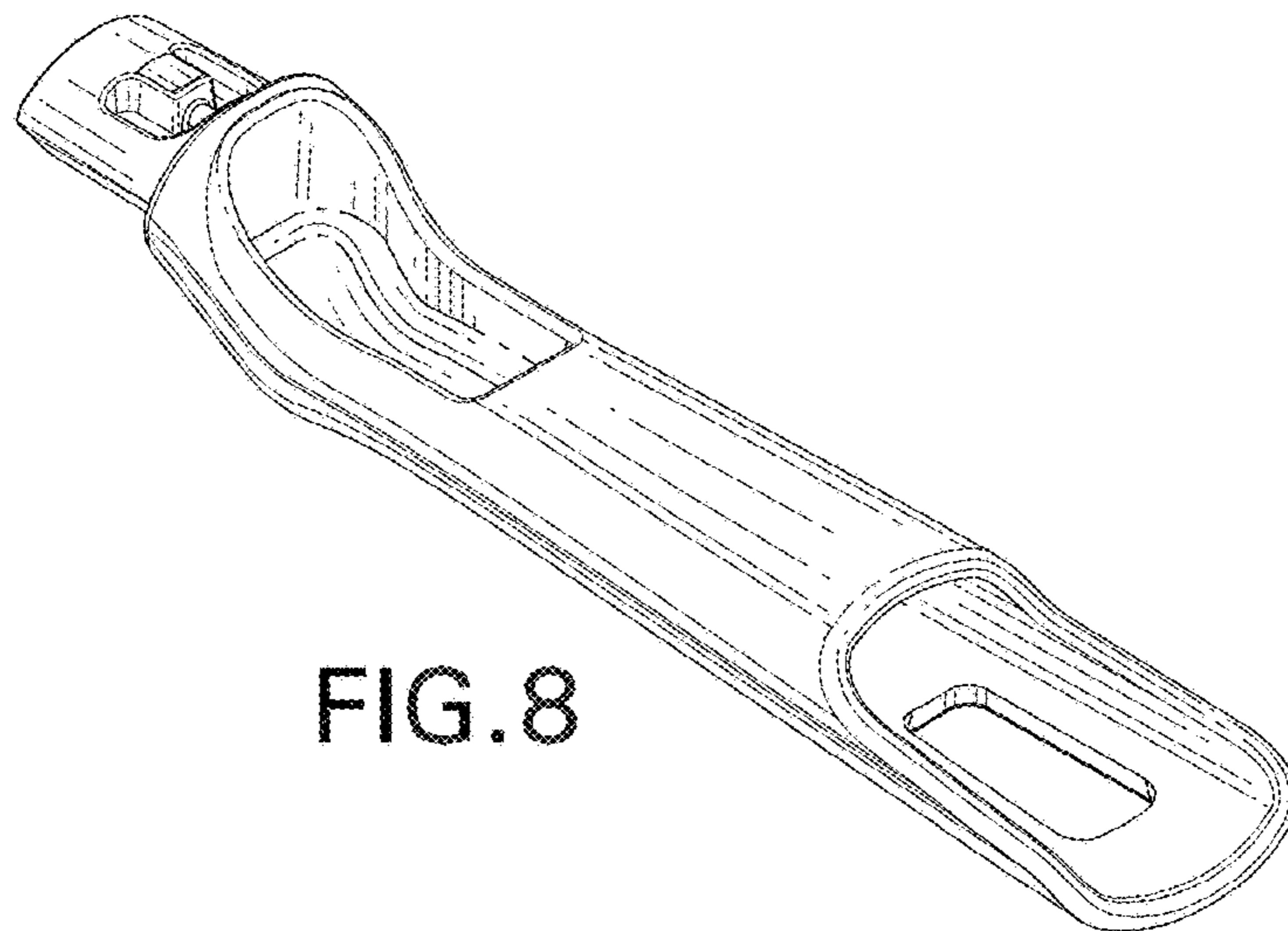


FIG. 8