



US00D828086S

(12) **United States Design Patent** (10) **Patent No.:** **US D828,086 S**
Zhong (45) **Date of Patent:** **** Sep. 11, 2018**

(54) **TUMBLER HOLDER**

(71) Applicant: **XIAMEN LIJIADA ELECTRONICS TECHNOLOGY CO., LTD.**, Xiamen (CN)

(72) Inventor: **Wenda Zhong**, Xiamen (CN)

(73) Assignee: **XIAMEN LIJIADA ELECTRONICS TECHNOLOGY CO., LTD.**, Xiamen (CN)

(**) Term: **15 Years**

(21) Appl. No.: **29/596,682**

(22) Filed: **Mar. 10, 2017**

(30) **Foreign Application Priority Data**

Dec. 5, 2016 (CN) 2016 3 0592902

(51) **LOC (11) Cl.** **07-02**

(52) **U.S. Cl.**
USPC **D7/393**; D7/622

(58) **Field of Classification Search**
USPC D7/619.1-625, 605-608, 707-708, 533, D7/536, 393, 396.2
CPC A47G 23/0266; A47G 23/0233; A47G 23/0241; A47G 23/0216; A47G 23/02; A47G 19/2205; B65D 25/2829; B65D 25/2817; B65D 2313/02; A45F 5/10; A47J 45/10; A47J 45/077

See application file for complete search history.

(56) **References Cited**

U.S. PATENT DOCUMENTS

D529,763	S	*	10/2006	Zerillo	D7/533
D548,524	S	*	8/2007	Meehan	D7/507
D709,738	S	*	7/2014	Weinert	D7/622
D760,021	S	*	6/2016	Lapsker	D7/394
D812,984	S	*	3/2018	Seiders	D7/622
D814,870	S	*	4/2018	Spivey	D7/533
2004/0040962	A1	*	3/2004	Bielecki	A47G 19/2272 220/254.1

* cited by examiner

Primary Examiner — Cynthia M. Chin

(74) *Attorney, Agent, or Firm* — Gokalp Bayramoglu

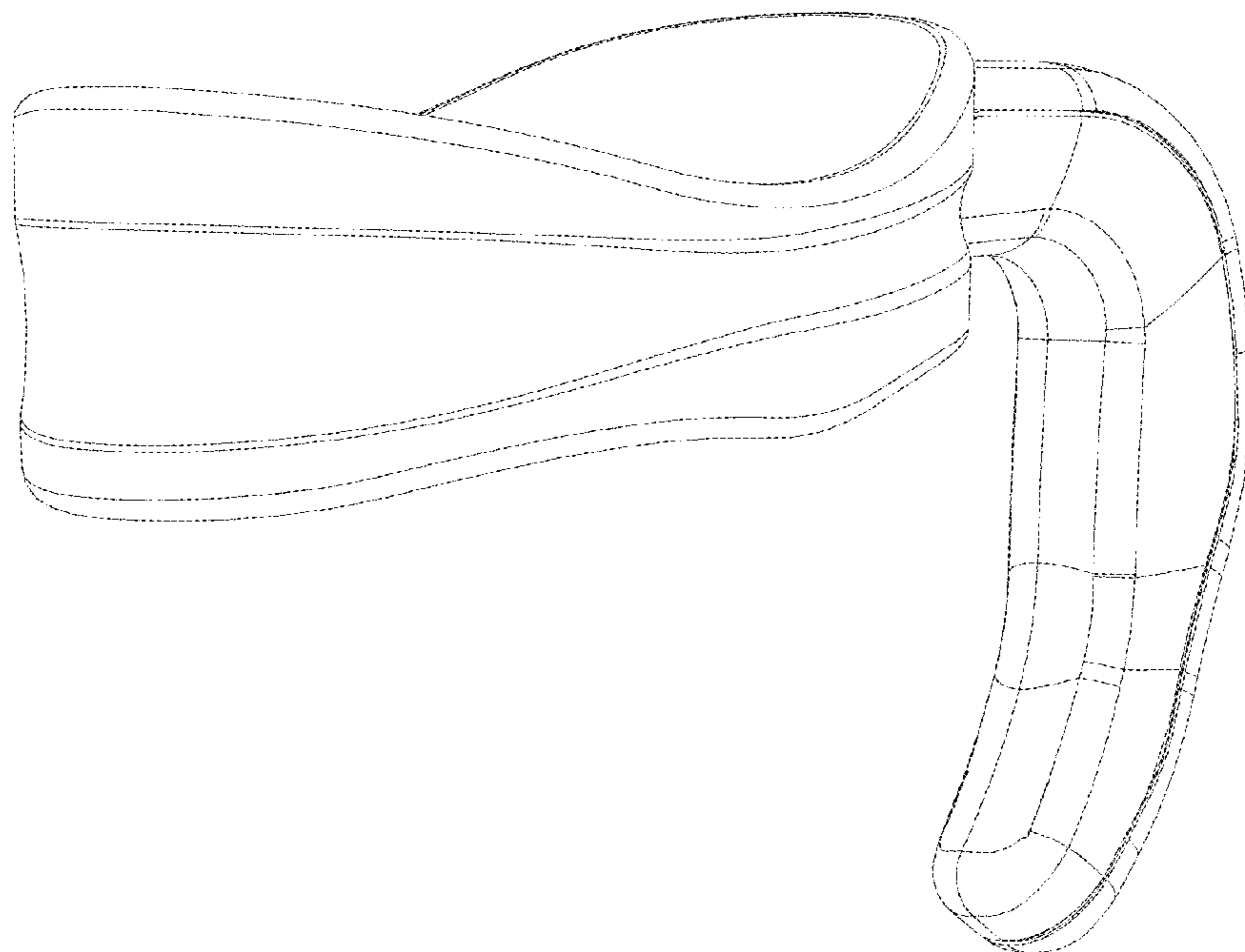
(57) **CLAIM**

The ornamental design for a tumbler holder, as shown and described.

DESCRIPTION

FIG. 1 is a perspective view of a tumbler holder showing the new design;
FIG. 2 is a top view of the tumbler holder;
FIG. 3 is a bottom view of the tumbler holder;
FIG. 4 is a front view of the tumbler holder;
FIG. 5 is a rear view of the tumbler holder;
FIG. 6 is a left side view of the tumbler holder; and,
FIG. 7 is a right side view of the tumbler holder.

1 Claim, 7 Drawing Sheets



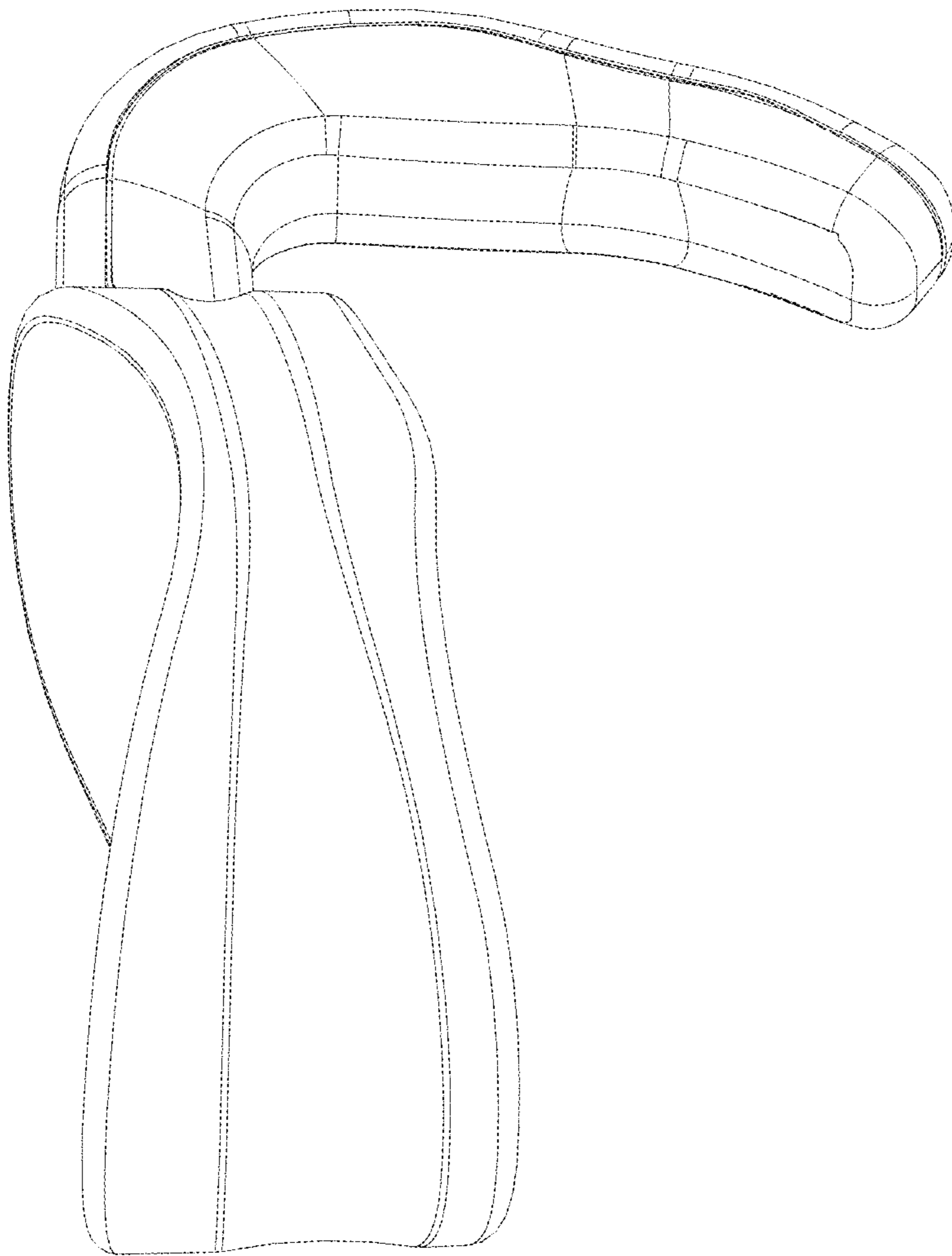


FIG. 1

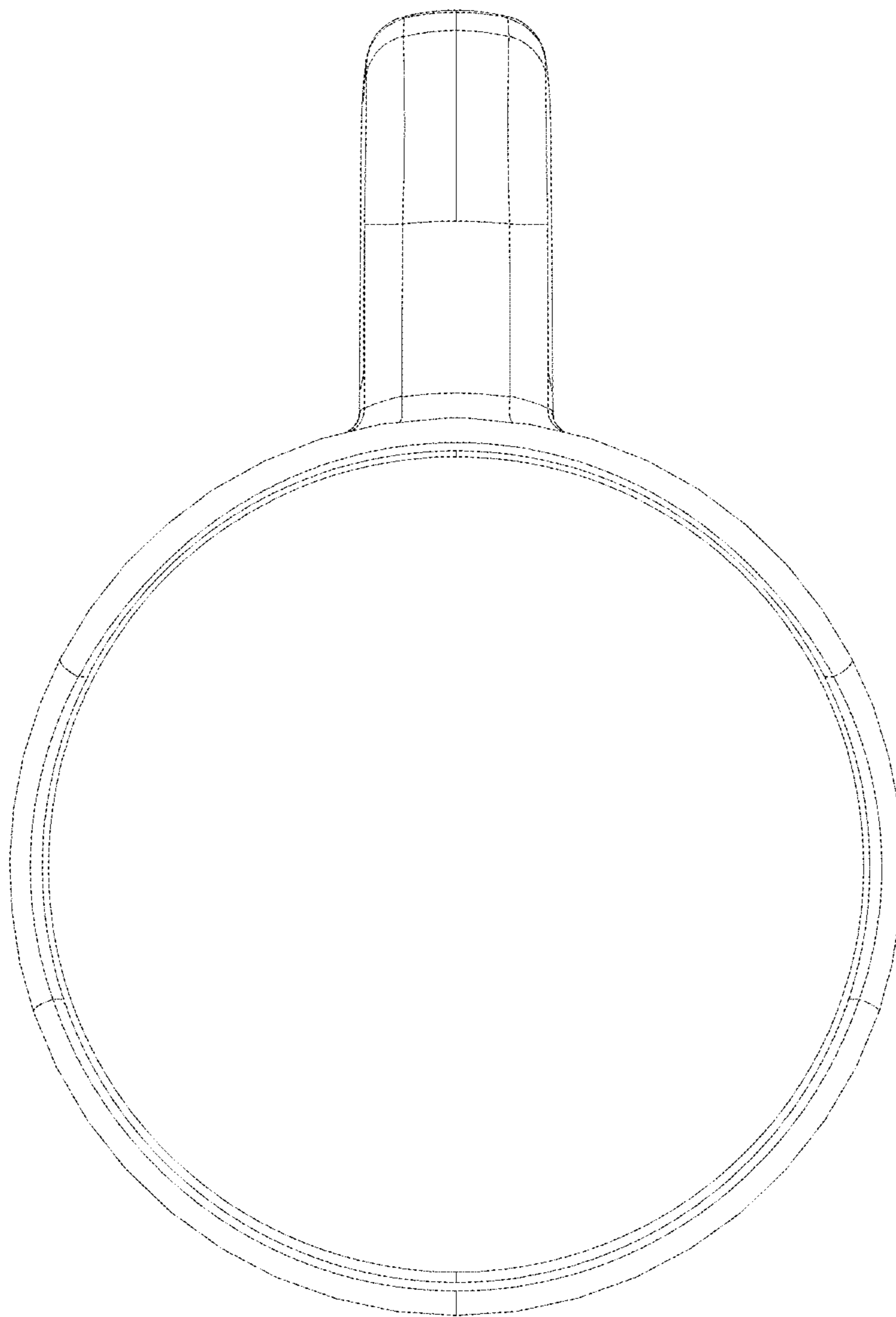


FIG. 2

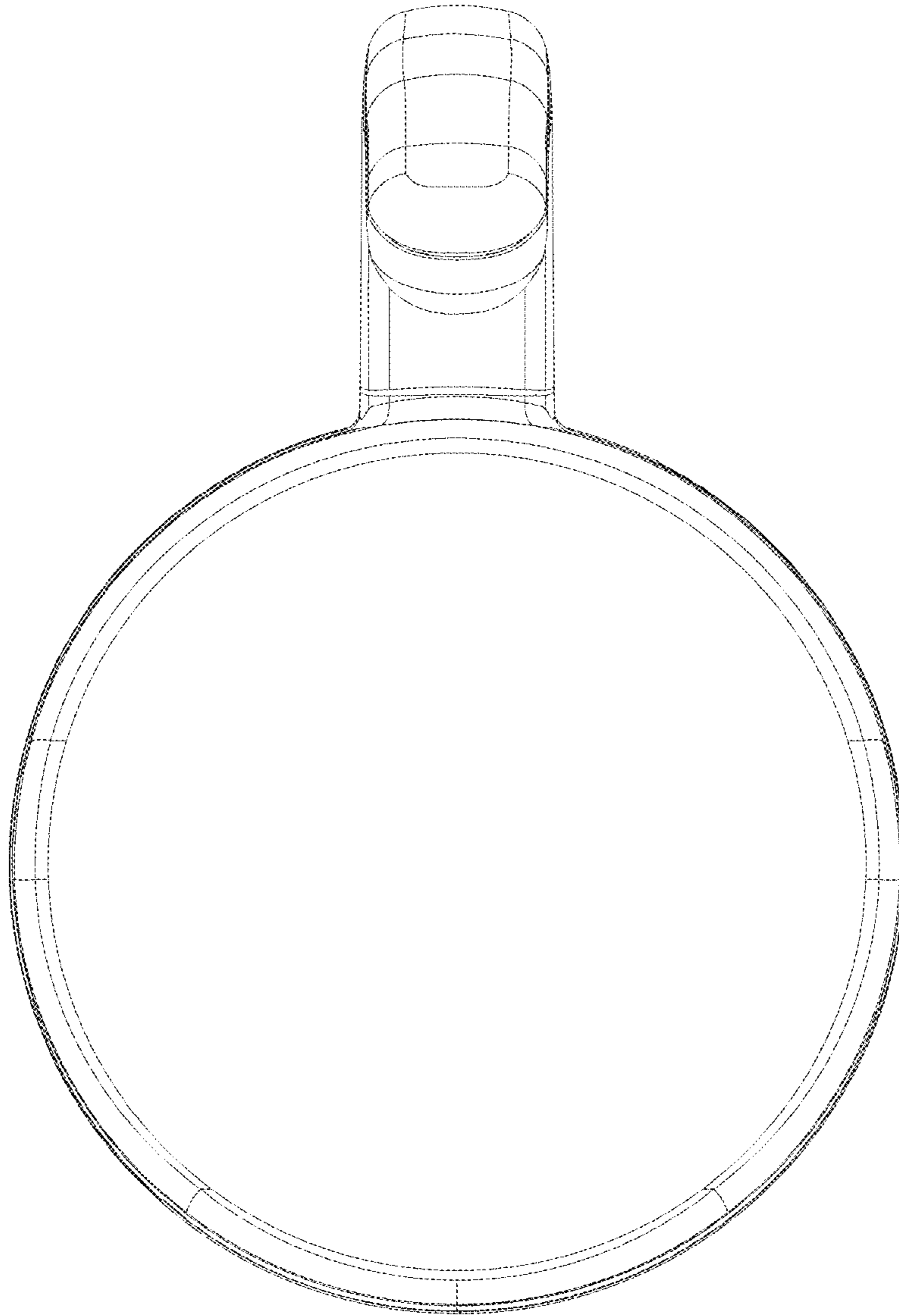


FIG. 3

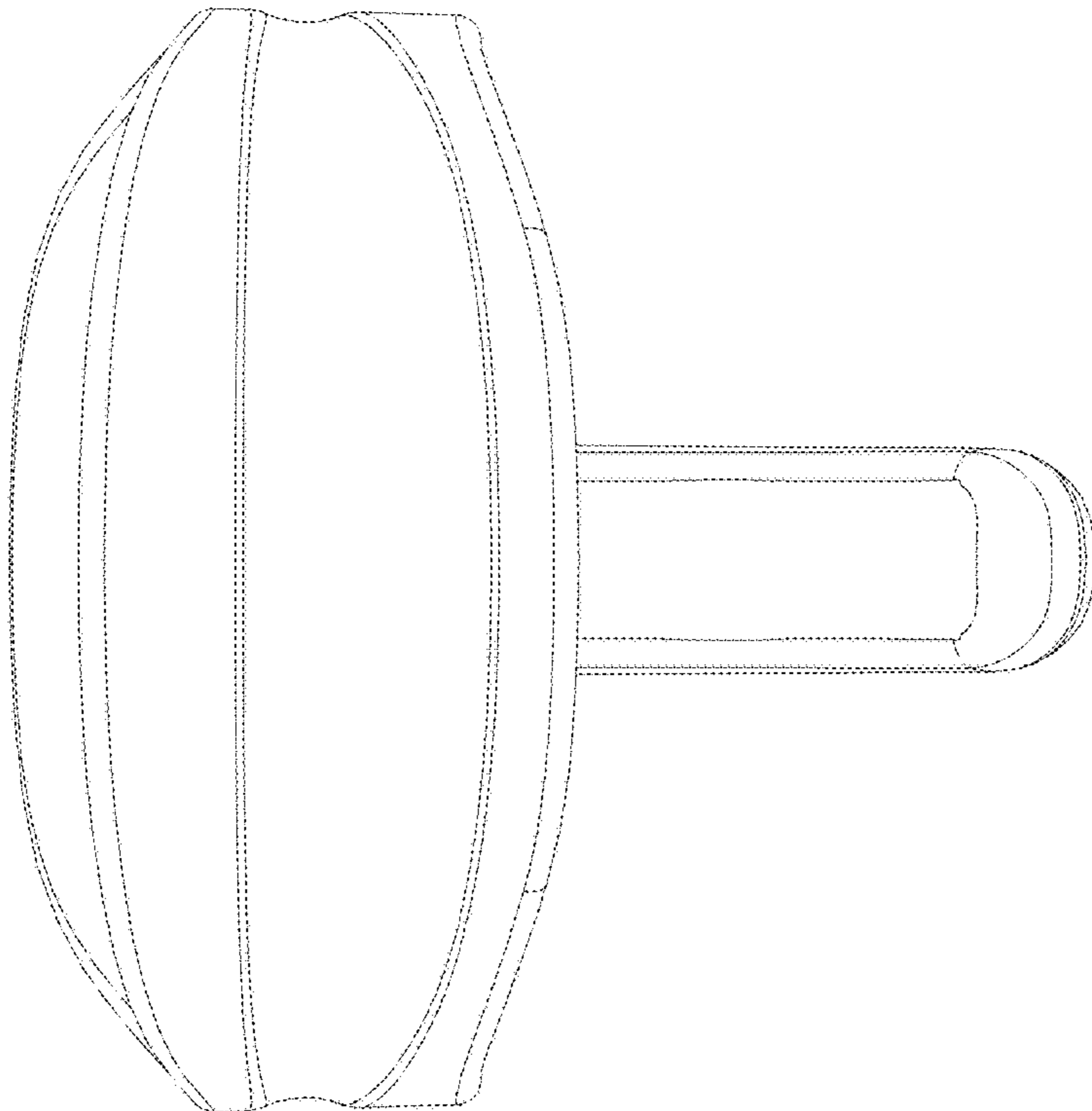


FIG. 4

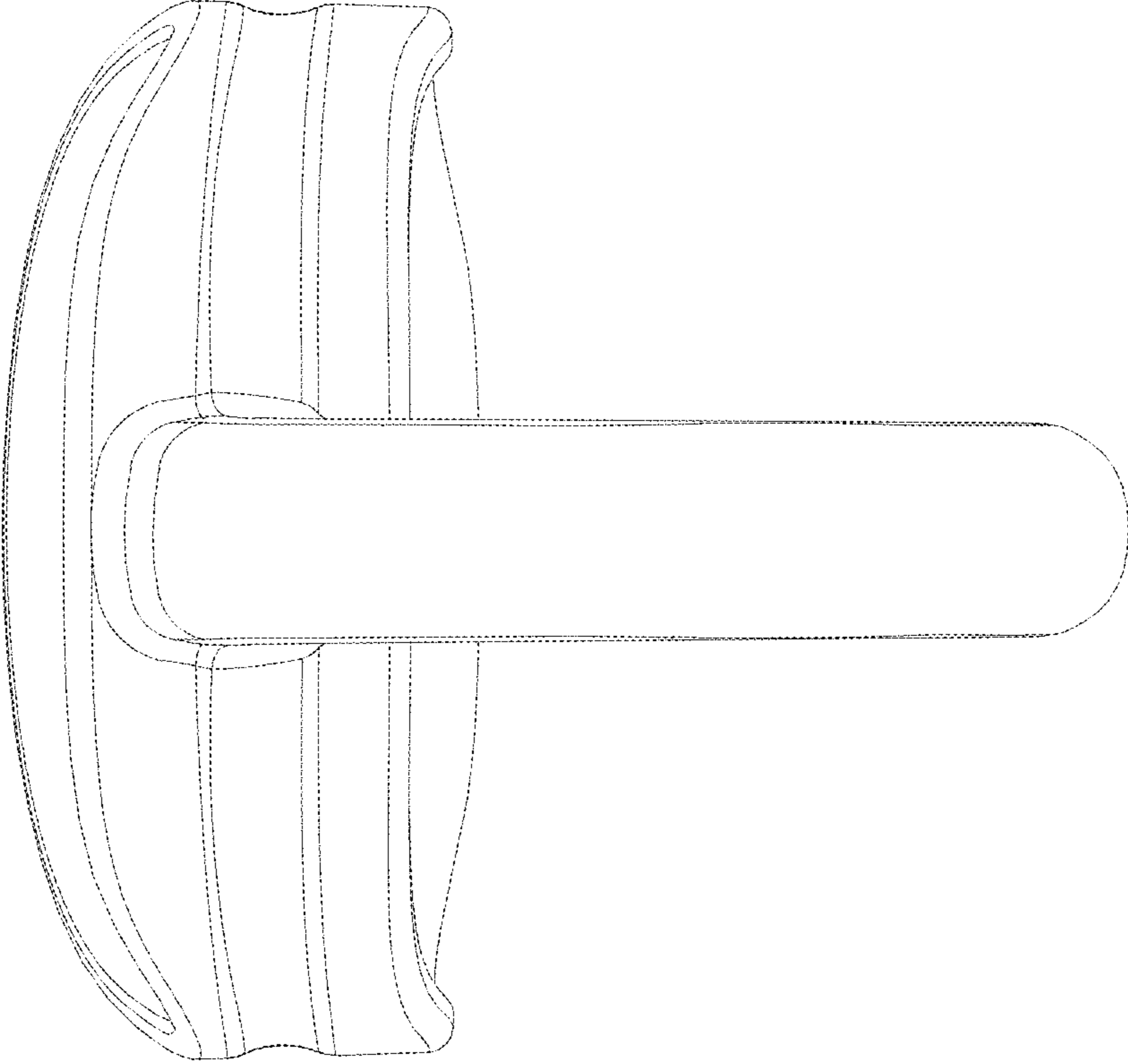


FIG. 5

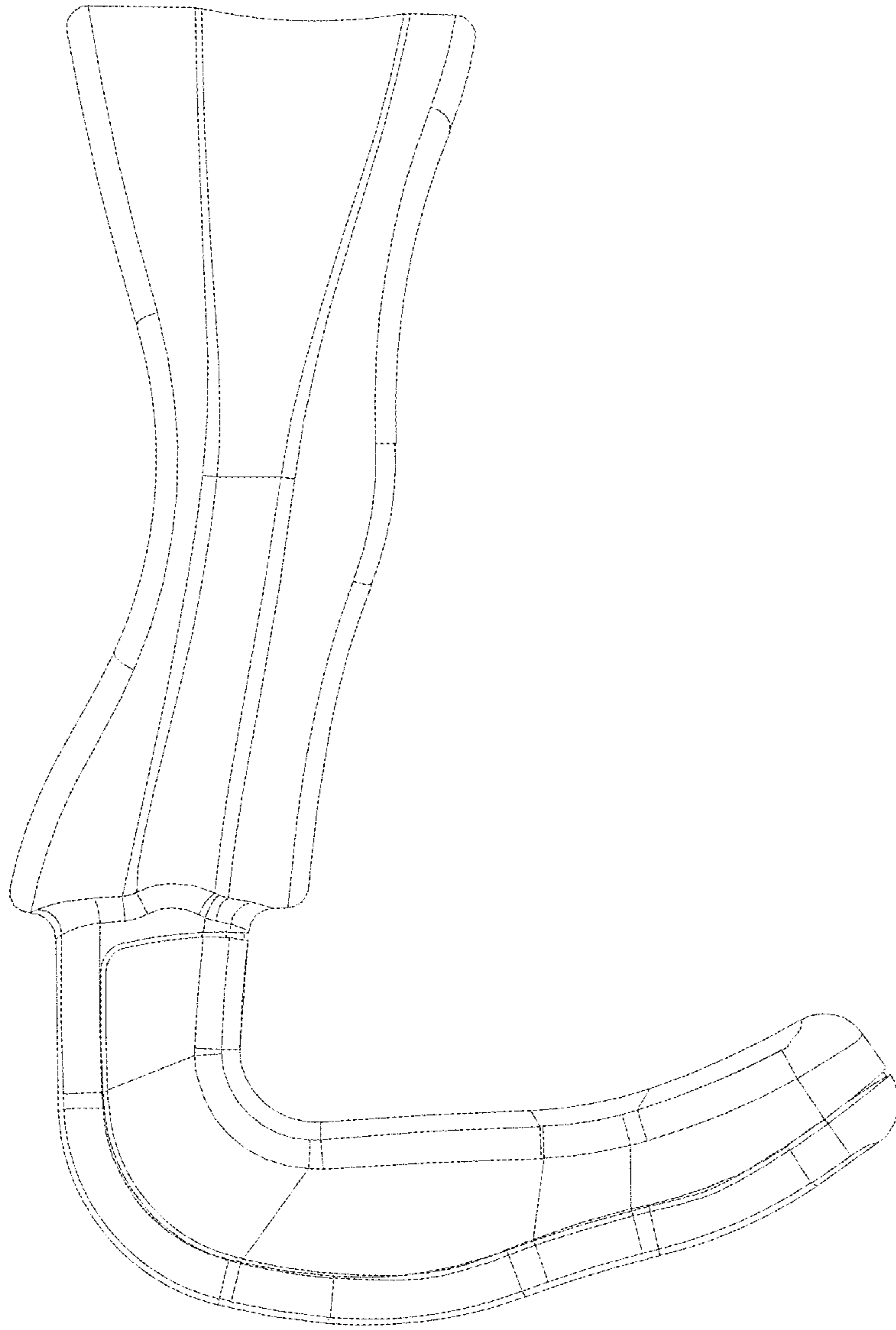


FIG. 6

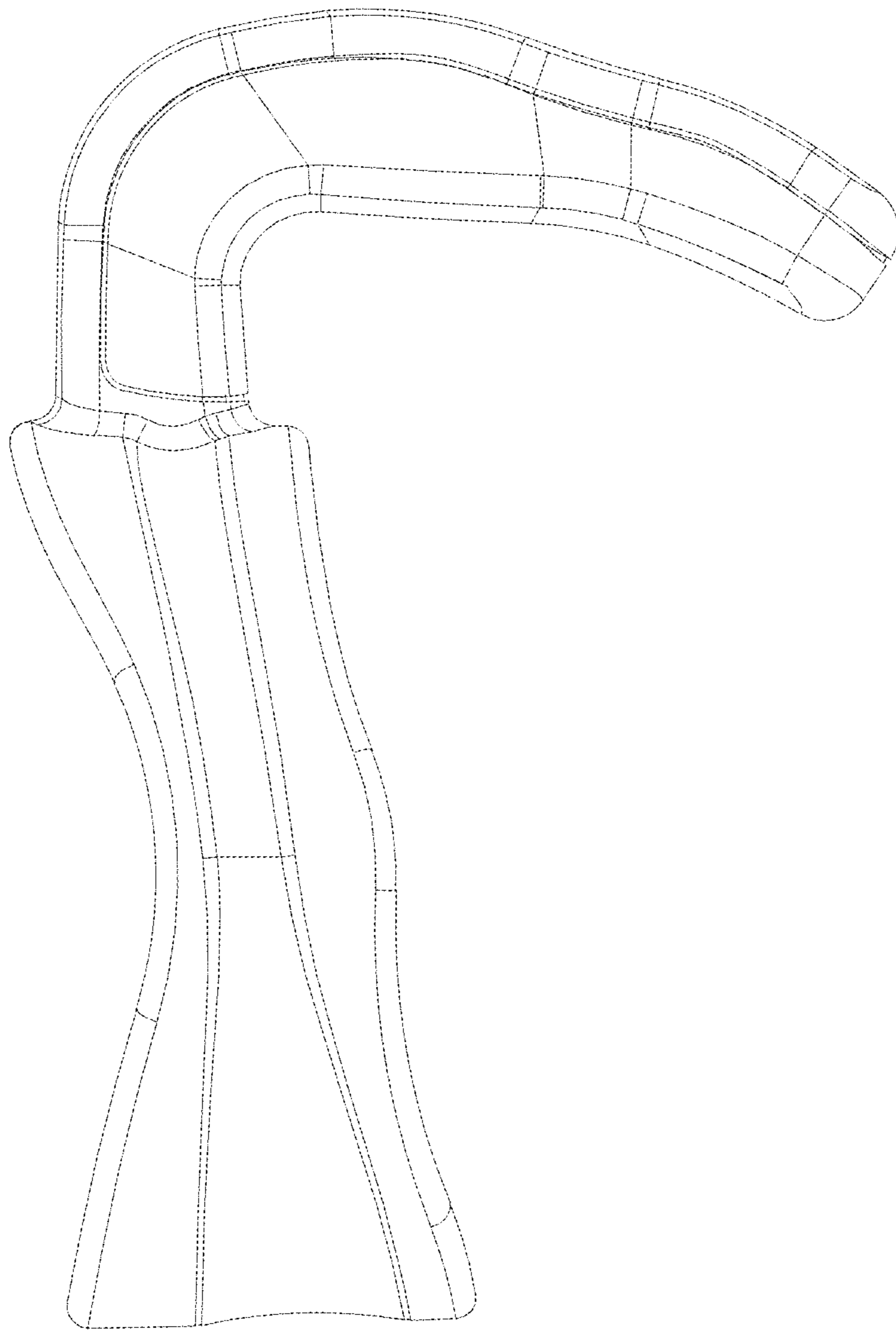


FIG. 7