



US00D828085S

(12) **United States Design Patent** (10) **Patent No.:** **US D828,085 S**
Baron et al. (45) **Date of Patent:** **** Sep. 11, 2018**

(54) **MASON JAR LID**
(71) Applicant: **MASONTOPS, INC.**, Toronto (CA)
(72) Inventors: **Philip Baron**, Toronto (CA); **Michael Bacher**, Toronto (CA)
(73) Assignee: **Masontops, Inc.**, Toronto, Ontario (CA)
(**) Term: **15 Years**
(21) Appl. No.: **29/604,259**
(22) Filed: **May 16, 2017**
(51) **LOC (11) Cl.** **07-99**
(52) **U.S. Cl.**
USPC **D7/392.1**; D9/454
(58) **Field of Classification Search**
USPC D7/391, 510, 511, 538, 540, 542, 543, D7/544, 545, 629, 392.1, 392; D9/452, D9/453, 454, 435, 447, 449, 780, 434, D9/440
CPC ... A47G 19/2205; A47G 19/2222; A45F 3/16; A45F 3/20; B67D 7/06; B67D 1/0004; B65D 25/14; B65D 47/065; B65D 47/066
See application file for complete search history.

D727,152 S * 4/2015 Yaseen D9/454
D756,221 S * 5/2016 Koop D9/453
D756,710 S * 5/2016 Beckman D7/510
D763,690 S * 8/2016 Greenfield D9/453
D769,069 S * 10/2016 Sanbar D7/507
D769,119 S * 10/2016 Hooker D9/452
D799,269 S * 10/2017 Vargo D7/510

OTHER PUBLICATIONS

Masontops.com, Tough Tops—Durable & Leak-Proof Mason Jar Lids, Publication date unknown, [site visited Apr. 10, 2018], Available on the Internet URL https://www.masontops.com/collections/storage-solutions/products/tough-tops-leak-proof-reusable-mason-jar-storage-lids-wide-mouth.*

* cited by examiner

Primary Examiner — Karen S Acker
Assistant Examiner — Steven B Reinholdt, Jr.
(74) *Attorney, Agent, or Firm* — McAndrews, Held & Malloy, Ltd.

(57) **CLAIM**

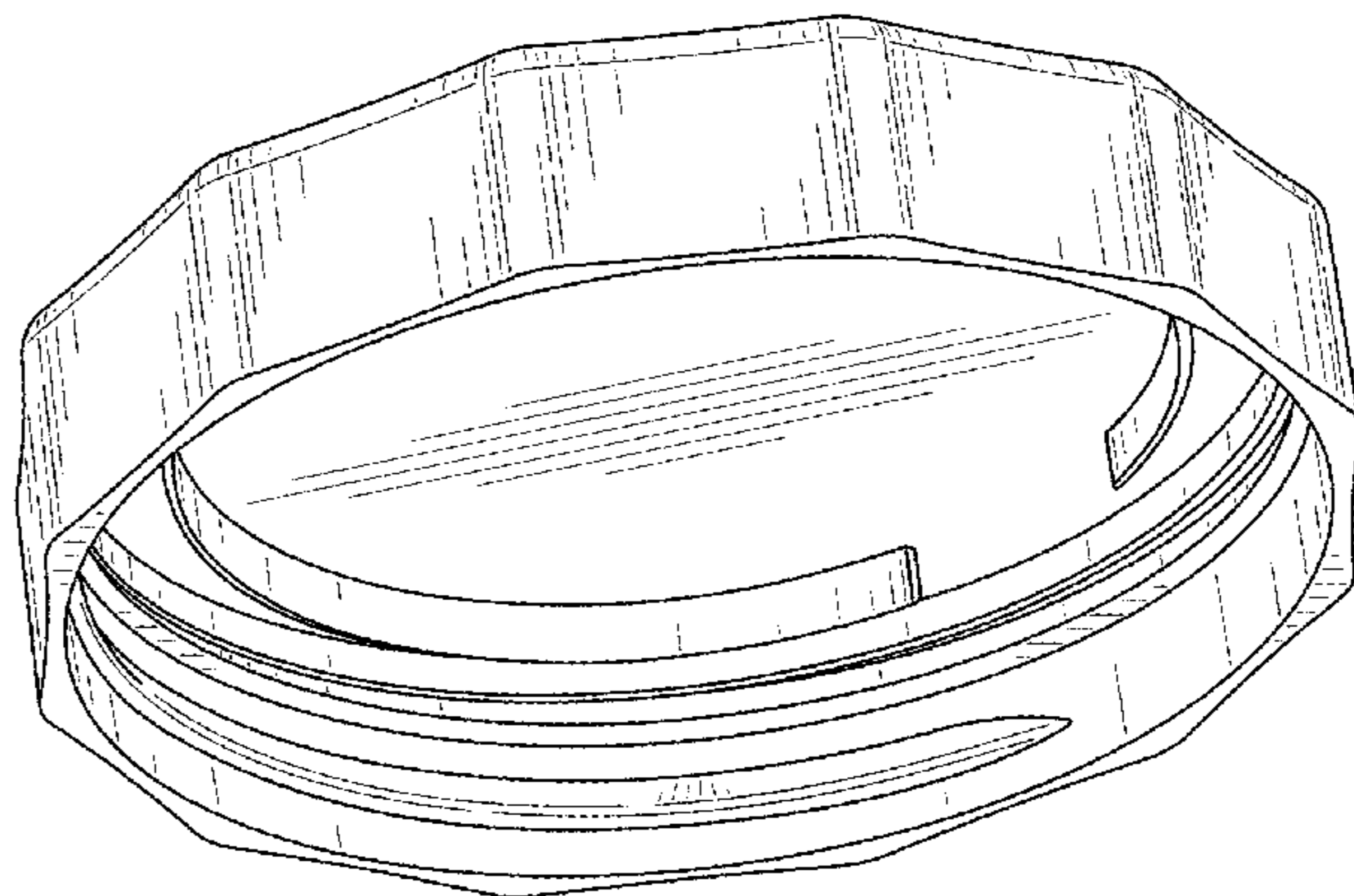
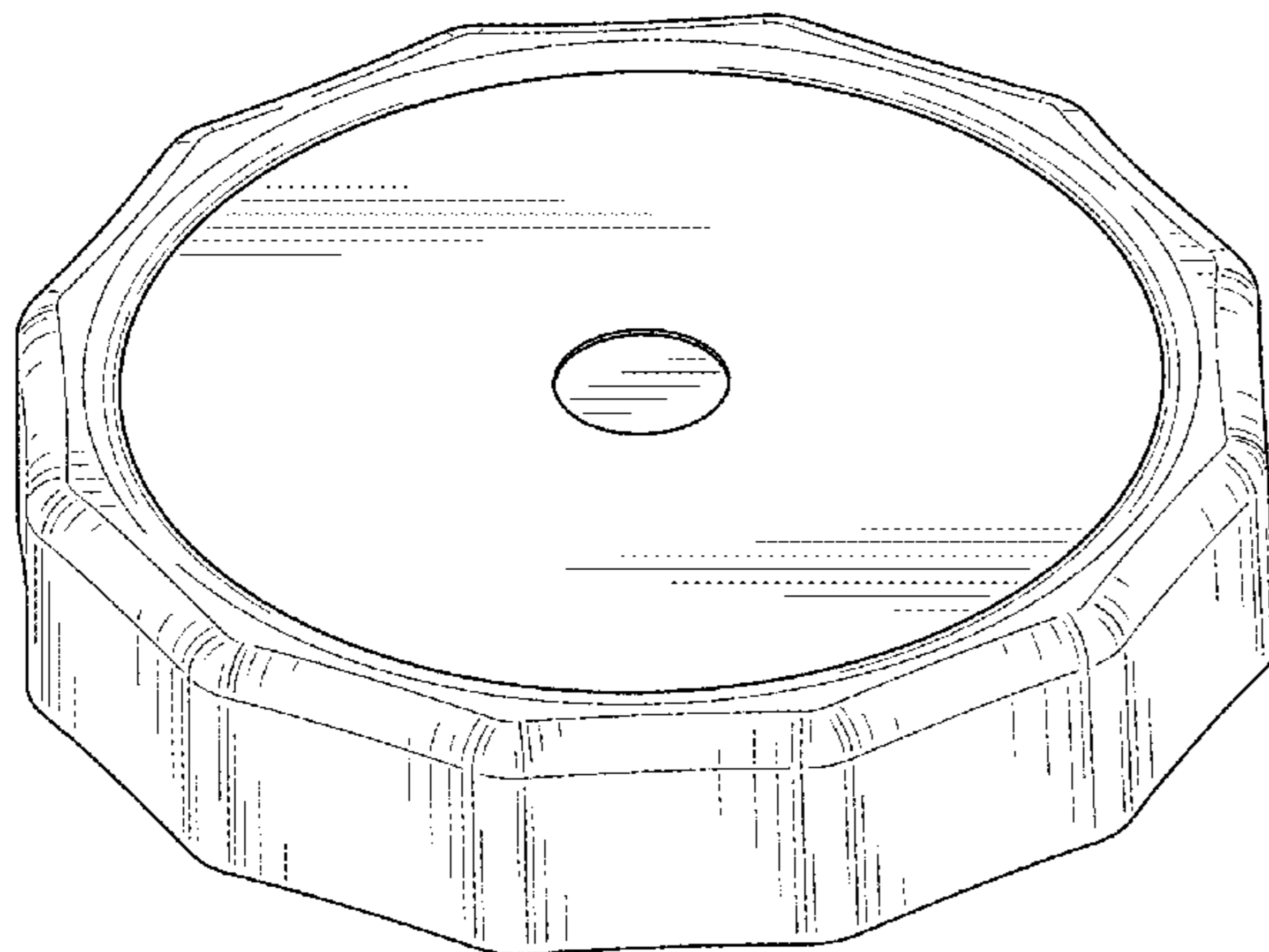
The ornamental design for a mason jar lid, as shown and described.

DESCRIPTION

FIG. 1 is a top front perspective view of a mason jar lid showing our new design;
FIG. 2 is a bottom rear perspective view thereof;
FIG. 3 is a bottom front perspective view thereof;
FIG. 4 is a front elevation view thereof;
FIG. 5 is a rear elevation view thereof;
FIG. 6 is a right side elevation view thereof;
FIG. 7 is a left side elevation view thereof;
FIG. 8 is a top plan view thereof; and,
FIG. 9 is a bottom plan view thereof.

1 Claim, 4 Drawing Sheets

(56) **References Cited**
U.S. PATENT DOCUMENTS
D500,677 S * 1/2005 Druitt D9/452
D501,362 S * 2/2005 Gauss D7/509
D517,322 S * 3/2006 Zettle D3/323
D651,044 S * 12/2011 Gilbert D7/510
D680,805 S * 4/2013 Rosbach D7/392.1
D697,366 S * 1/2014 Kristinik D7/392.1
D714,146 S * 9/2014 King D9/453
D721,963 S * 2/2015 Finkbohner D9/453
D723,370 S * 3/2015 Medlin D9/453



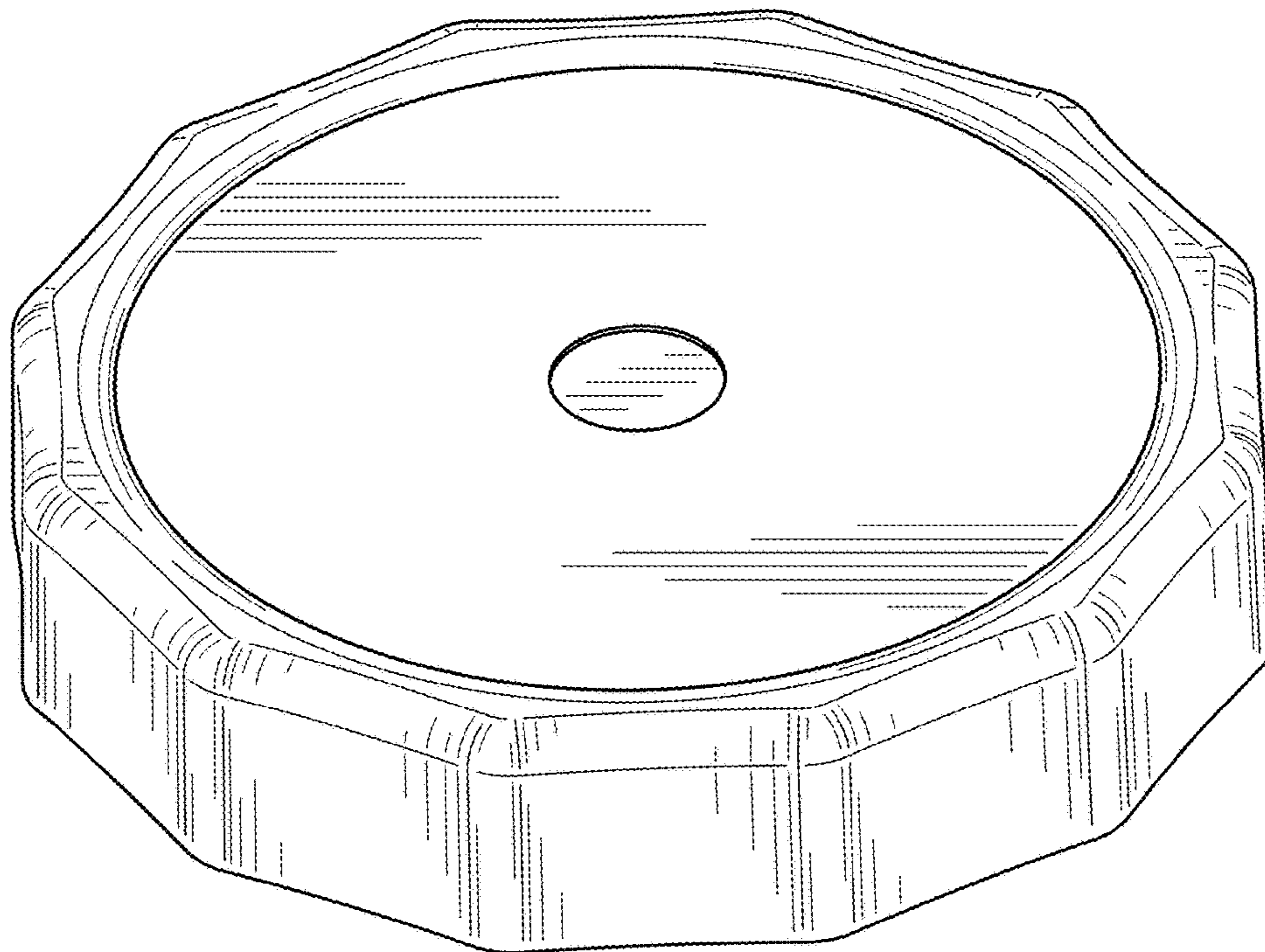


FIG. 1

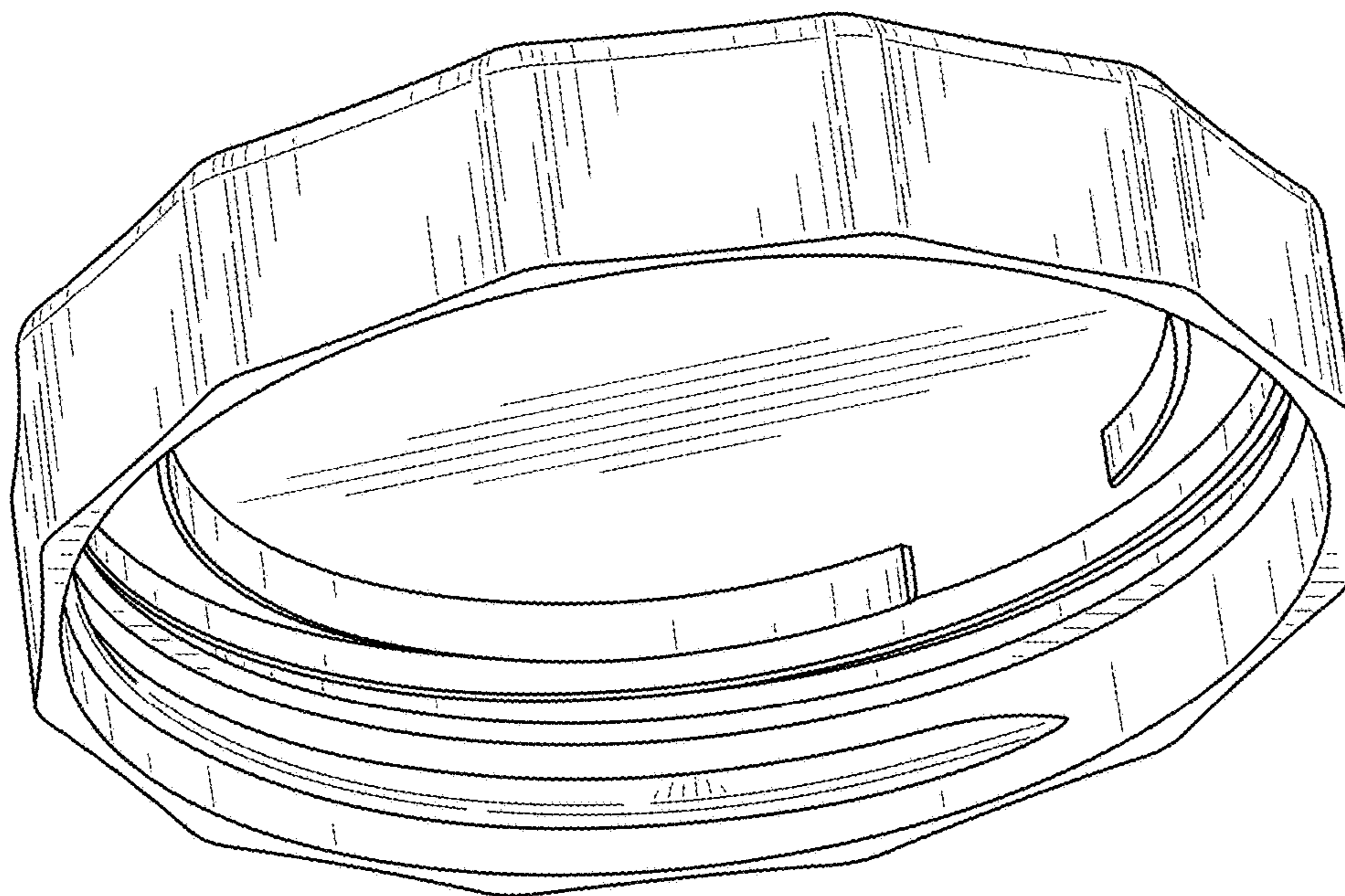


FIG. 2

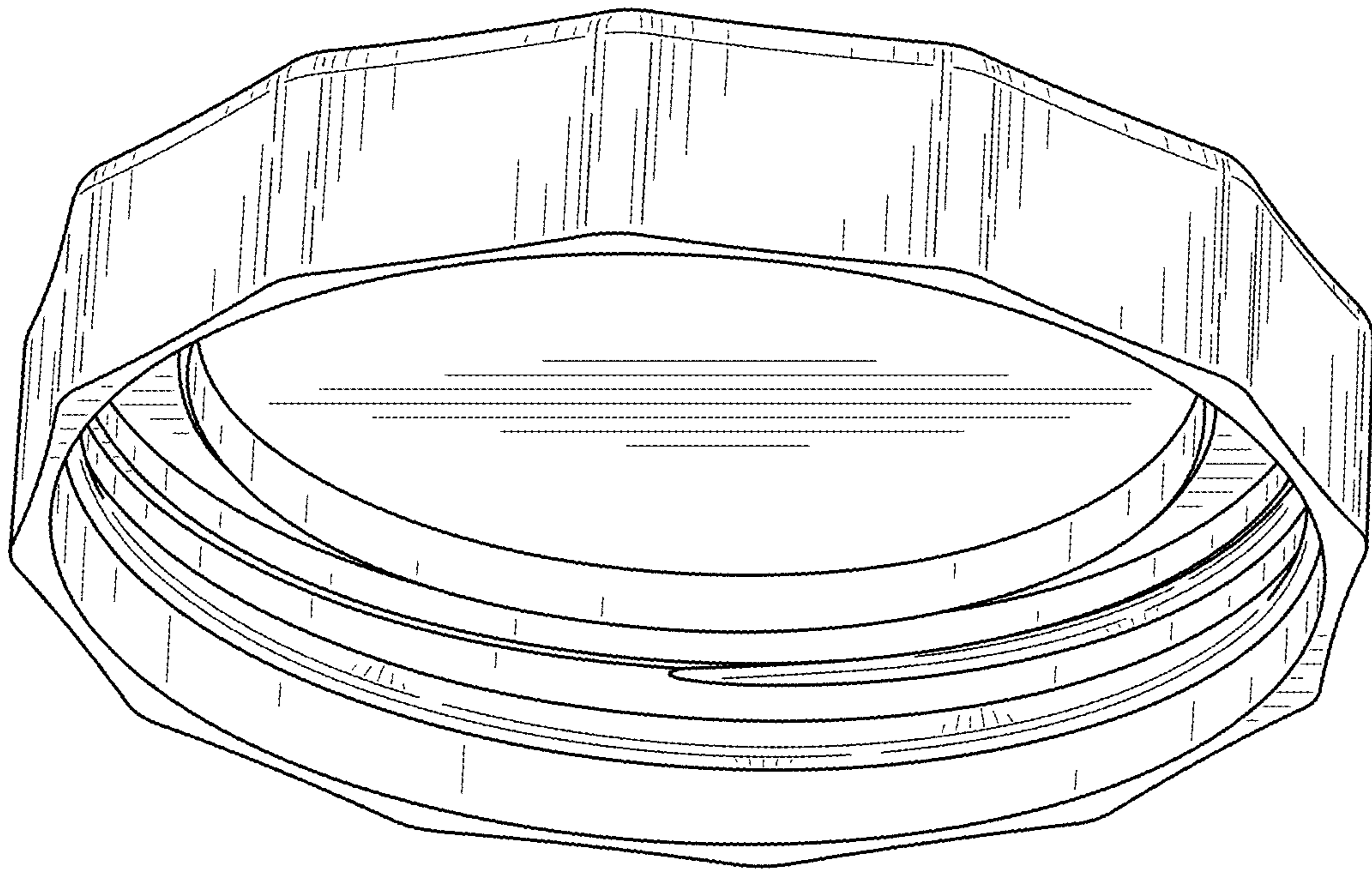


FIG. 3

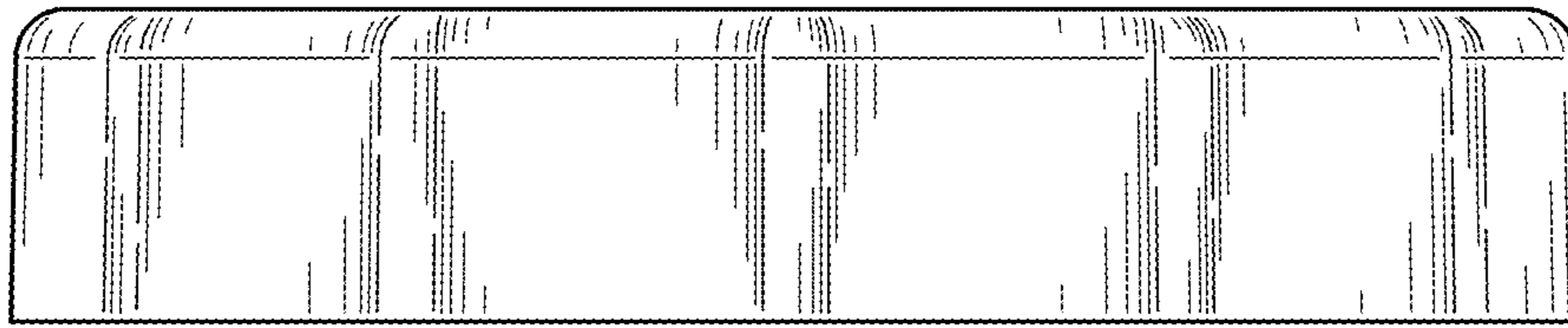


FIG. 4

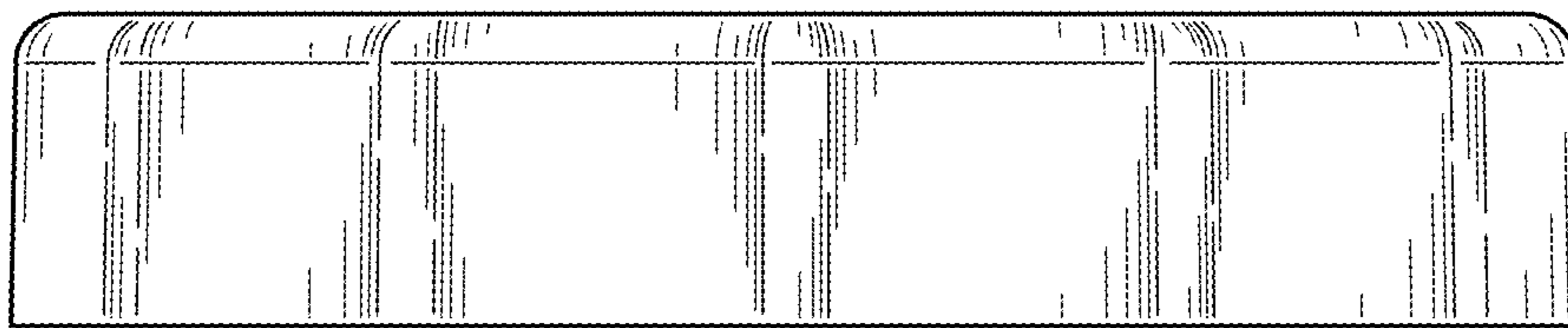


FIG. 5

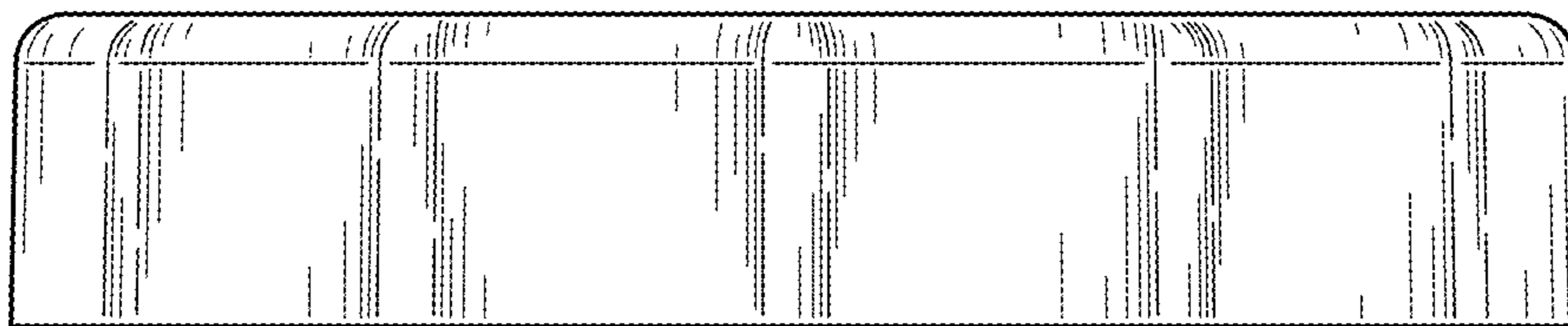


FIG. 6

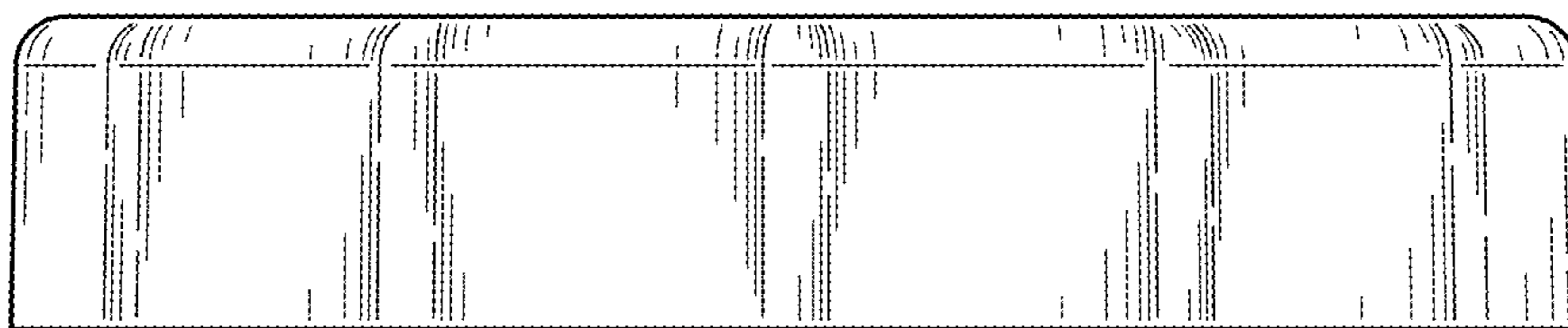


FIG. 7

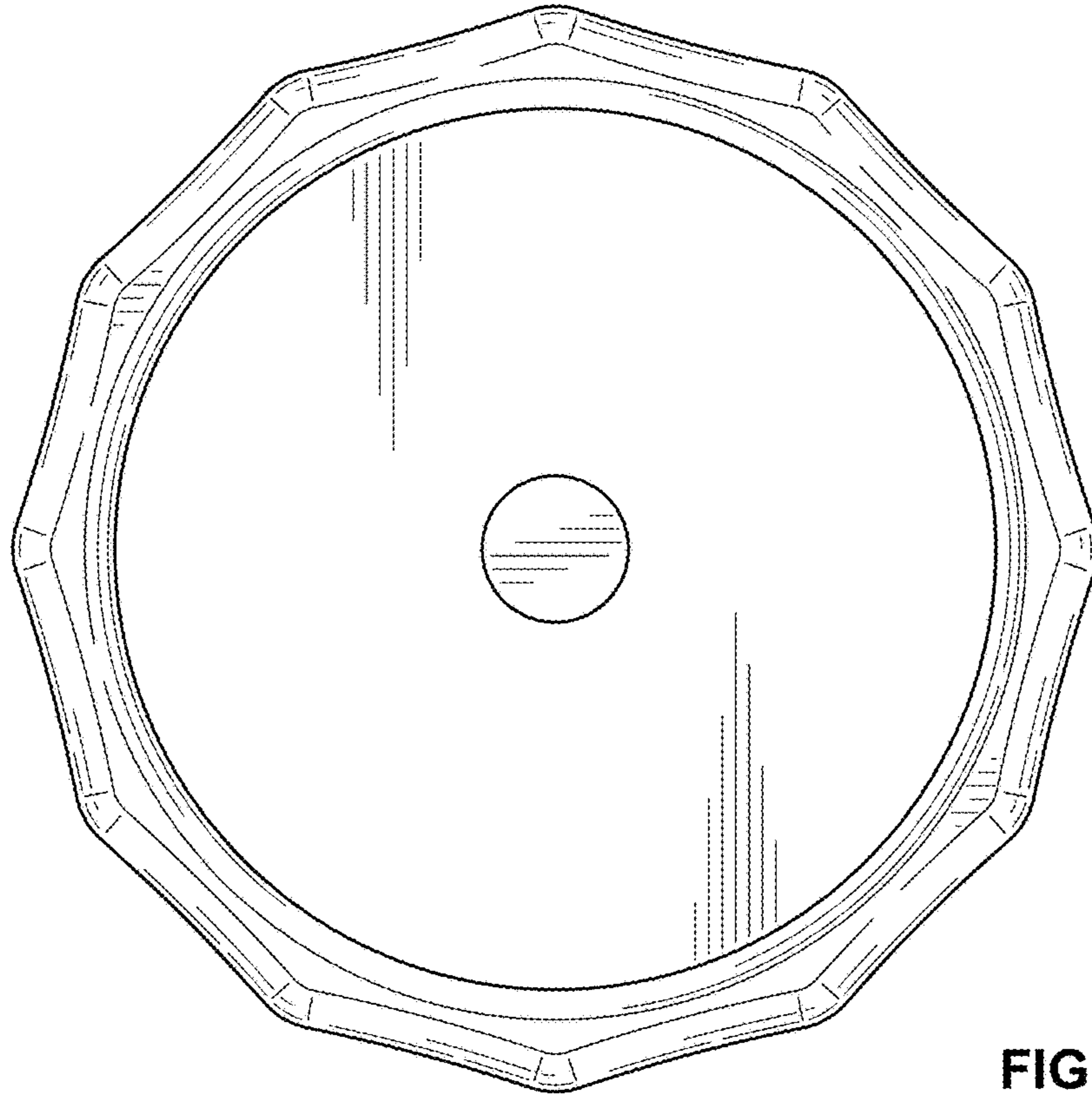


FIG. 8

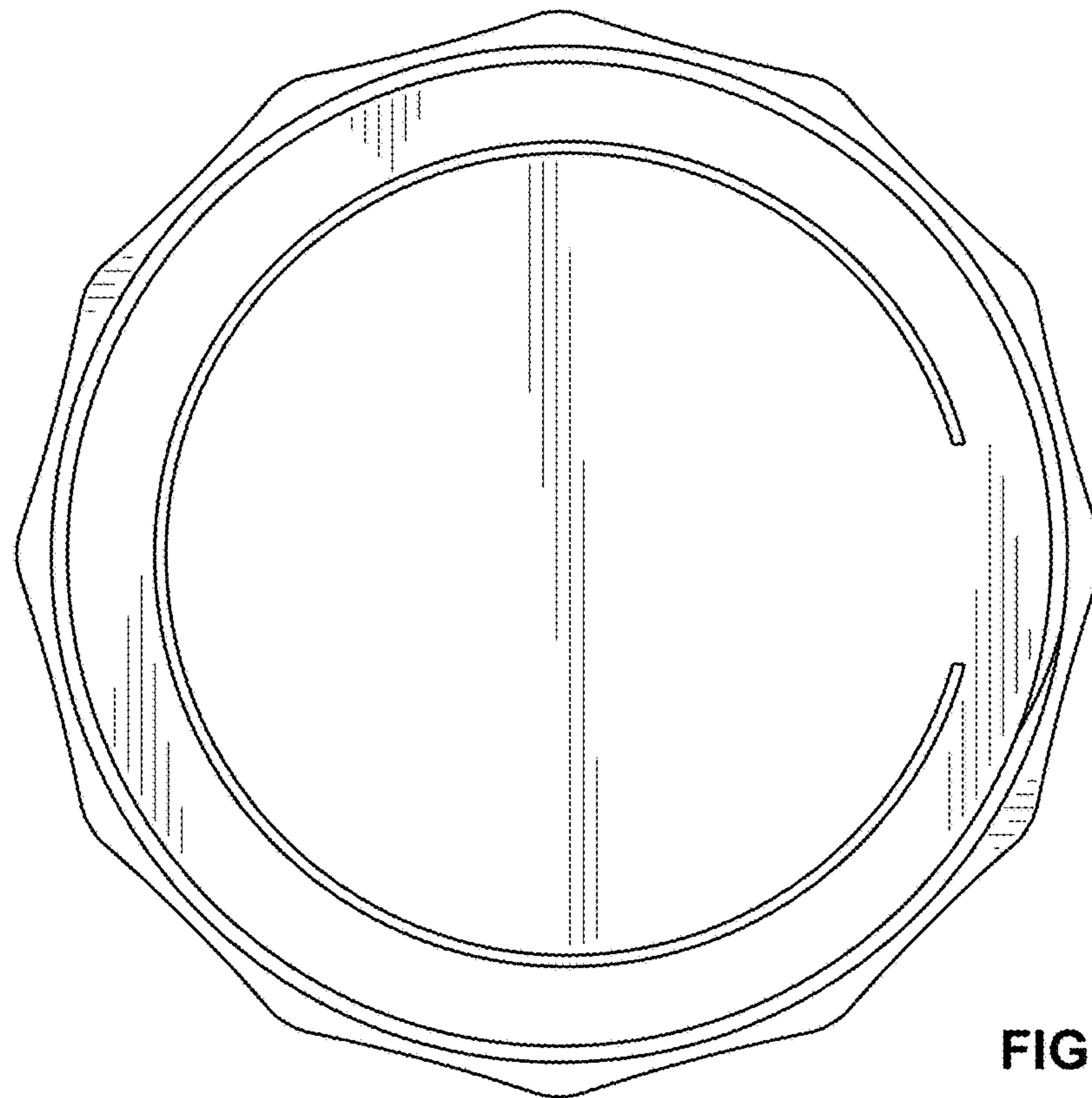


FIG. 9