



US00D828084S

(12) **United States Design Patent**
Zhang

(10) **Patent No.:** **US D828,084 S**

(45) **Date of Patent:** **** Sep. 11, 2018**

(54) **RECTANGULAR LID FOR FOOD CONTAINER WITH REMOVABLE LOCKING TABS**

(71) Applicant: **Jianzhong Zhang**, Handan (CN)

(72) Inventor: **Jianzhong Zhang**, Handan (CN)

(73) Assignee: **SHIJIAZHUANG FAR EAST IMPORT AND EXPORT TRADING CO., LTD**, Shijiazhuang (CN)

(**) Term: **15 Years**

(21) Appl. No.: **29/583,651**

(22) Filed: **Nov. 8, 2016**

(51) **LOC (11) Cl.** **07-01**

(52) **U.S. Cl.**
USPC **D7/392.1**

(58) **Field of Classification Search**
USPC D7/354, 360, 391, 392, 392.1, 396.1,
D7/511, 538, 542, 602, 629, 705;
D9/424, 430, 435, 443, 452, 454
CPC B65D 2543/00712; B65D 45/16
See application file for complete search history.

(56) **References Cited**

U.S. PATENT DOCUMENTS

6,415,947	B1 *	7/2002	Kim	B29C 45/0025
					220/326
D481,910	S *	11/2003	Kim	D7/629
6,793,096	B1 *	9/2004	Seok	B65D 43/0218
					220/326
D499,931	S *	12/2004	Kim	D7/392.1
D516,376	S *	3/2006	Kim	D7/392.1
D528,357	S *	9/2006	Hsu	D7/392.1
D613,111	S *	4/2010	Furlong	D7/392.1
D676,274	S *	2/2013	Tong	D7/391
D682,609	S *	5/2013	Lindsay	D7/392.1

8,596,485	B2 *	12/2013	Lindsay	B65D 43/0218
					220/326
2005/0035125	A1 *	2/2005	Bae	B65D 43/0218
					220/326
2009/0218360	A1 *	9/2009	Suk	B65D 43/0212
					220/784
2014/0217101	A1 *	8/2014	Wang	B65D 45/00
					220/324

OTHER PUBLICATIONS

“OXO Good Grips Leakproof On-The-Go Lunch Container”. Found online Jul. 3, 2017 at amazon.com. Page dated Aug. 24, 2015. Retrieved from https://www.amazon.com/OXO-Grips-Leakproof-Lunch-Container/dp/B013KB26CK/ref=sr_1_30?ie=UTF8&qid=1499098793&sr=8-30&keywords=oxo.*

(Continued)

Primary Examiner — George D. Kirschbaum
Assistant Examiner — Kendra Leslie Hamilton
(74) *Attorney, Agent, or Firm* — Wayne & Ken, LLC;
Tony Hom

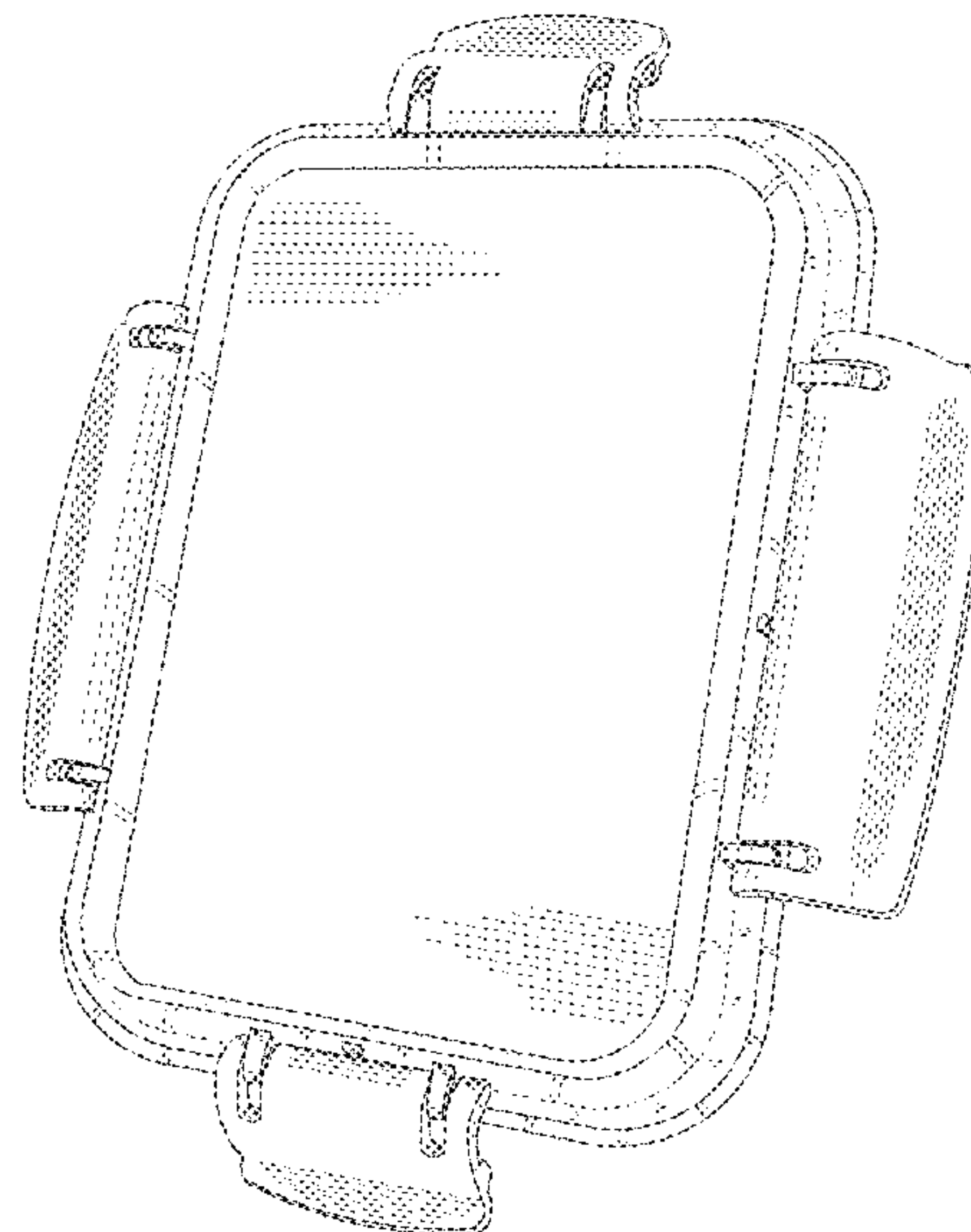
(57) **CLAIM**

The ornamental design for a rectangular lid for food container with removable locking tabs, as shown and described.

DESCRIPTION

FIG. 1 is a front view of a rectangular lid for food container with removable locking tabs showing my new design; FIG. 2 is a back view thereof; FIG. 3 is a top view thereof; FIG. 4 is a bottom view thereof; FIG. 5 is a right view thereof; FIG. 6 is a left view thereof; and, FIG. 7 is a top front perspective view thereof. The features shown in broken lines in the various figures are shown for illustrating environmental structure and forming no part of the claimed design.

1 Claim, 7 Drawing Sheets



(56)

References Cited

OTHER PUBLICATIONS

“Glasslock 18 Piece Oven Safe Assortment Set”. Found online Jun. 30, 2017 at amazon.com. Page dated Jan. 29, 2016. Retrieved from <https://www.amazon.com/dp/B01BVJWCN6/?tag=thesweethome-20&linkCode=xm2&ascsubtag=AgEAAAAAAAAAAFRj>.*

“Sistema Microwave Cookware Steamer”. Found online Jun. 30, 2017 at amazon.com. Page dated Oct. 29, 2011. Retrieved from https://www.amazon.com/...=UTF8&pd_rd_i=B005D6XZ4O&pd_rd_r=J4VHWNBC7QX7Z56S4RGJ&pd_rd_w=wwcPU&pd_rd_wg=oPEFz&psc=1&refRID=J4VHWNBC7QX7Z56S4RGJ.*

“Lock&Lock Bisfree Rectangular Tableware”. Found online Jun. 26, 2017 at amazon.com. Page dated Jan. 18, 2012. Retrieved from https://www.amazon.com/...ee-Rectangular-Tableware-Locking-4-6-Cup/dp/B0073NNIB0/ref=sr_1_281?s=kitchen&ie=UTF8&qid=1498512950&sr=1-281&keywords=locking+lid+container.*

* cited by examiner

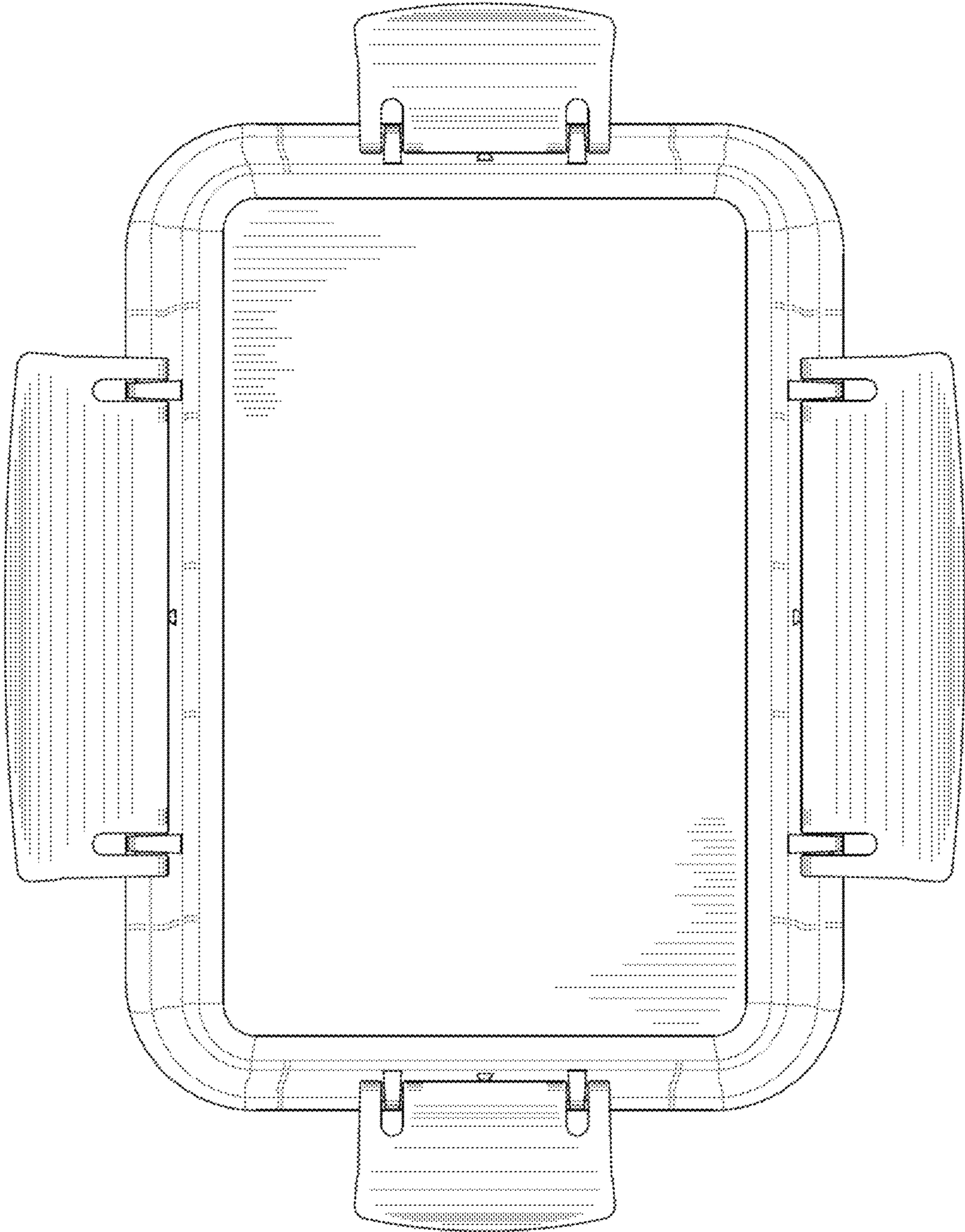


FIG. 1

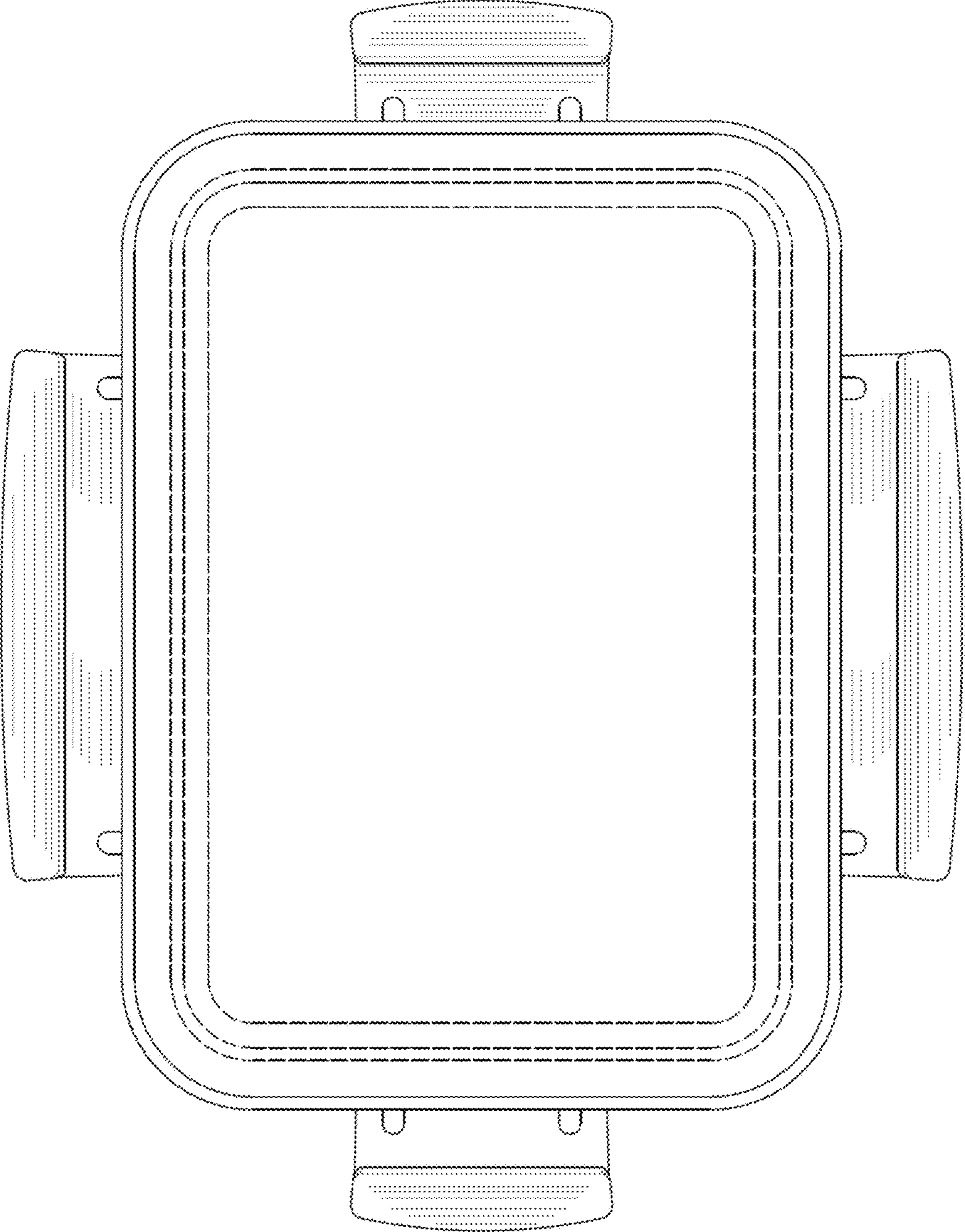


FIG. 2

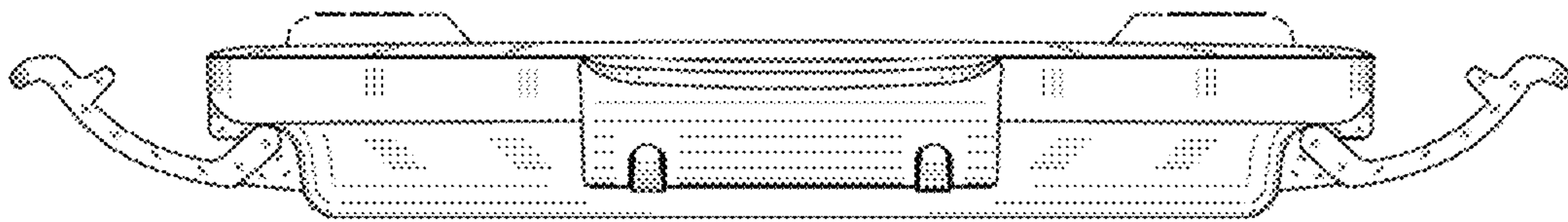


FIG. 3

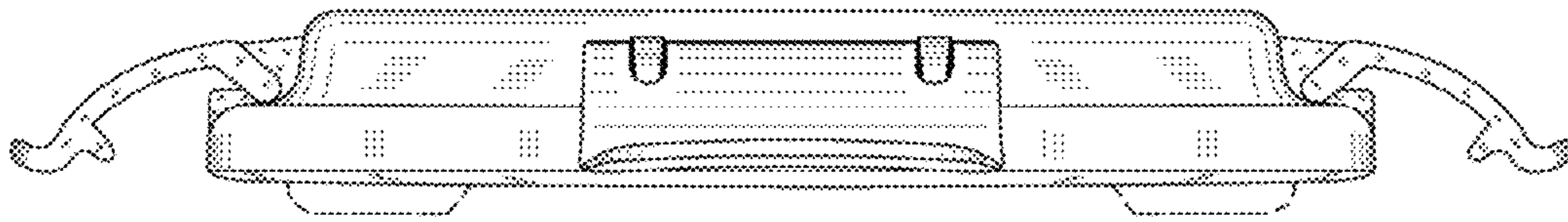


FIG. 4

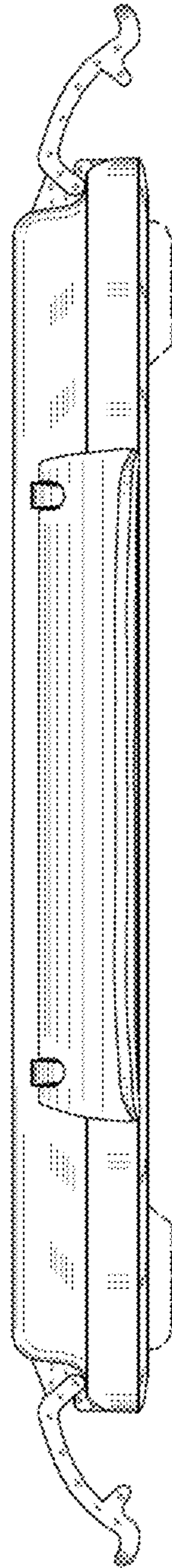


FIG. 5

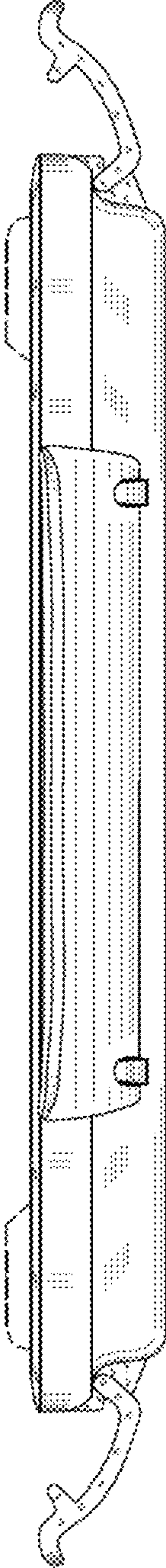


FIG. 6

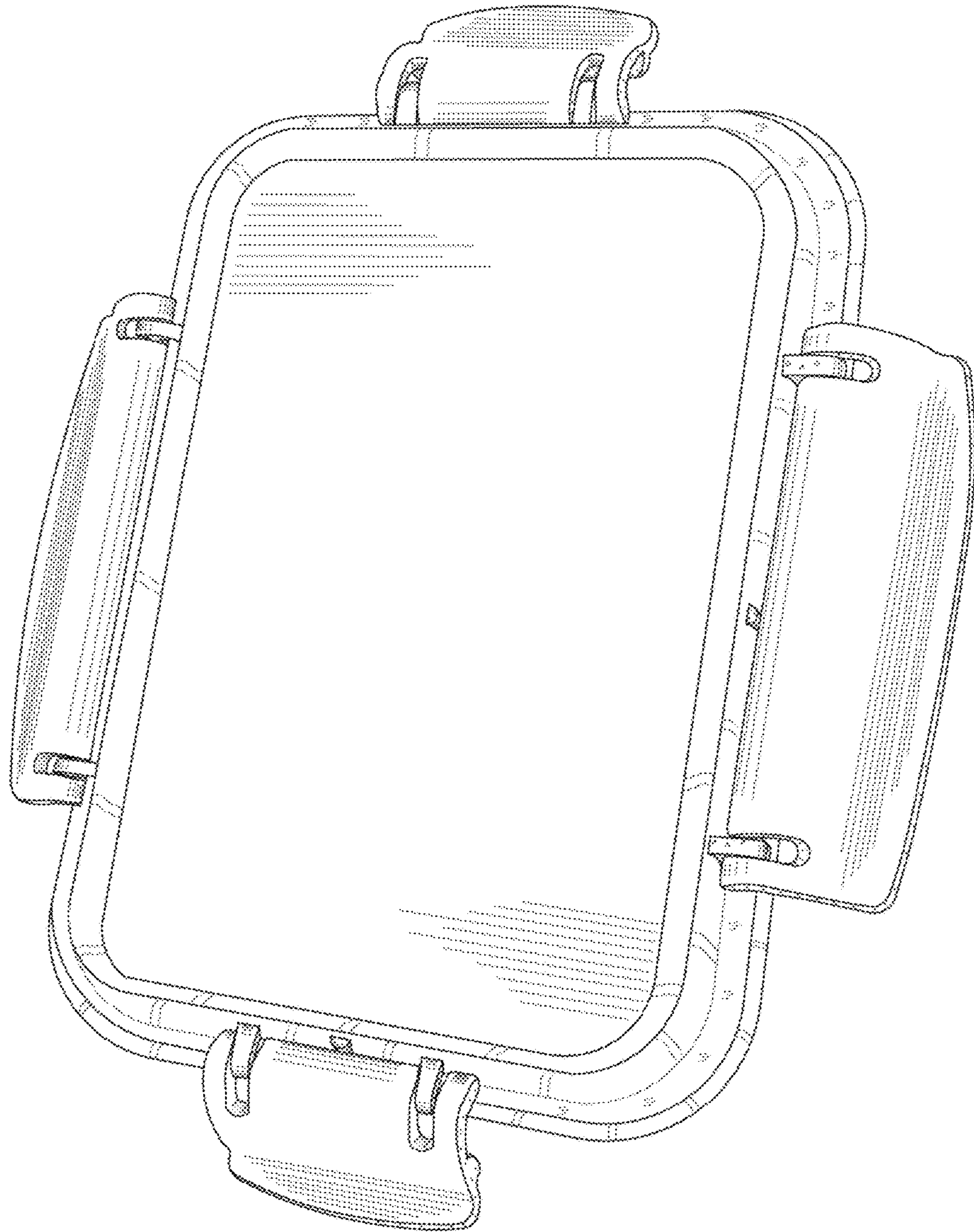


FIG. 7