



US00D828080S

(12) **United States Design Patent** (10) **Patent No.:** **US D828,080 S**  
**Ou et al.** (45) **Date of Patent:** **\*\* Sep. 11, 2018**

(54) **BLENDER**

2/423; B02C 13/1835; B28C 5/10; B28C 5/12; B28C 5/14; B28C 5/16

(71) Applicant: **KONINKLIJKE PHILIPS N.V.**,  
Eindhoven (NL)

See application file for complete search history.

(72) Inventors: **Qingxiang Ou**, Hong Kong (CN);  
**Andreas Kowalewski**, Amsterdam (NL)

(56) **References Cited**

(73) Assignee: **KONINKLIJKE PHILIPS N.V.**,  
Eindhoven (NL)

U.S. PATENT DOCUMENTS

(\*\*) Term: **15 Years**

(21) Appl. No.: **35/502,366**

(22) Filed: **Aug. 3, 2016**

(80) **Hague Agreement Data**

Int. Filing Date: **Aug. 3, 2016**  
Int. Reg. No.: **DM/092060**  
Int. Reg. Date: **Aug. 3, 2016**  
Int. Reg. Pub. Date: **Feb. 3, 2017**

D181,541 S *	11/1957	Madl et al. ....	D7/378
D394,986 S *	6/1998	Lallemand .....	D7/378
D412,809 S *	8/1999	Toro .....	D7/378
D439,797 S *	4/2001	Planca .....	D7/378
D444,995 S *	7/2001	Thackray .....	D7/386
D453,443 S *	2/2002	Hoare .....	D7/378
D465,127 S *	11/2002	Lee .....	D7/378
D528,855 S *	9/2006	Picozza .....	D7/378
D553,426 S *	10/2007	Lin .....	D7/378
D556,505 S *	12/2007	Wu .....	D7/378
D577,537 S *	9/2008	Lee .....	D7/378
D669,304 S *	10/2012	Bock .....	D7/376
D746,629 S *	1/2016	Ji .....	D7/376
D758,787 S *	6/2016	Ou .....	D7/376
D759,424 S *	6/2016	Ou .....	D7/376
D783,341 S *	4/2017	Palermo .....	D7/376
D797,496 S *	9/2017	Gee, II .....	D7/376
D805,344 S *	12/2017	Yuan .....	D7/378

(30) **Foreign Application Priority Data**

Feb. 16, 2016 (EM) ..... 002987297-0001

(51) **LOC (11) Cl.** ..... **31-00**

(52) **U.S. Cl.**  
USPC ..... **D7/376**  
CPC ..... **B02C 1/08 (2013.01)**

(58) **Field of Classification Search**

USPC ..... D7/300.1, 326, 372-386, 412, 413, 602,  
D7/629, 665, 666, 679, 693, 694  
CPC .... A21C 1/02; A21C 1/04; A23N 1/00; A23N  
1/02; A47J 43/04; A47J 43/25; A47J  
43/27; A47J 43/042; A47J 43/044; A47J  
43/046; A47J 43/075; A47J 43/0722;  
A47J 43/0727; B01F 3/00; B01F 3/0807;  
B01F 3/0853; B01F 13/0059; B01F  
13/0064; B02C 1/08; B02C 2/04; B02C  
2/42; B02C 2/142; B02C 2/143; B02C

\* cited by examiner

*Primary Examiner* — Richard E Chilcot

(57) **CLAIM**

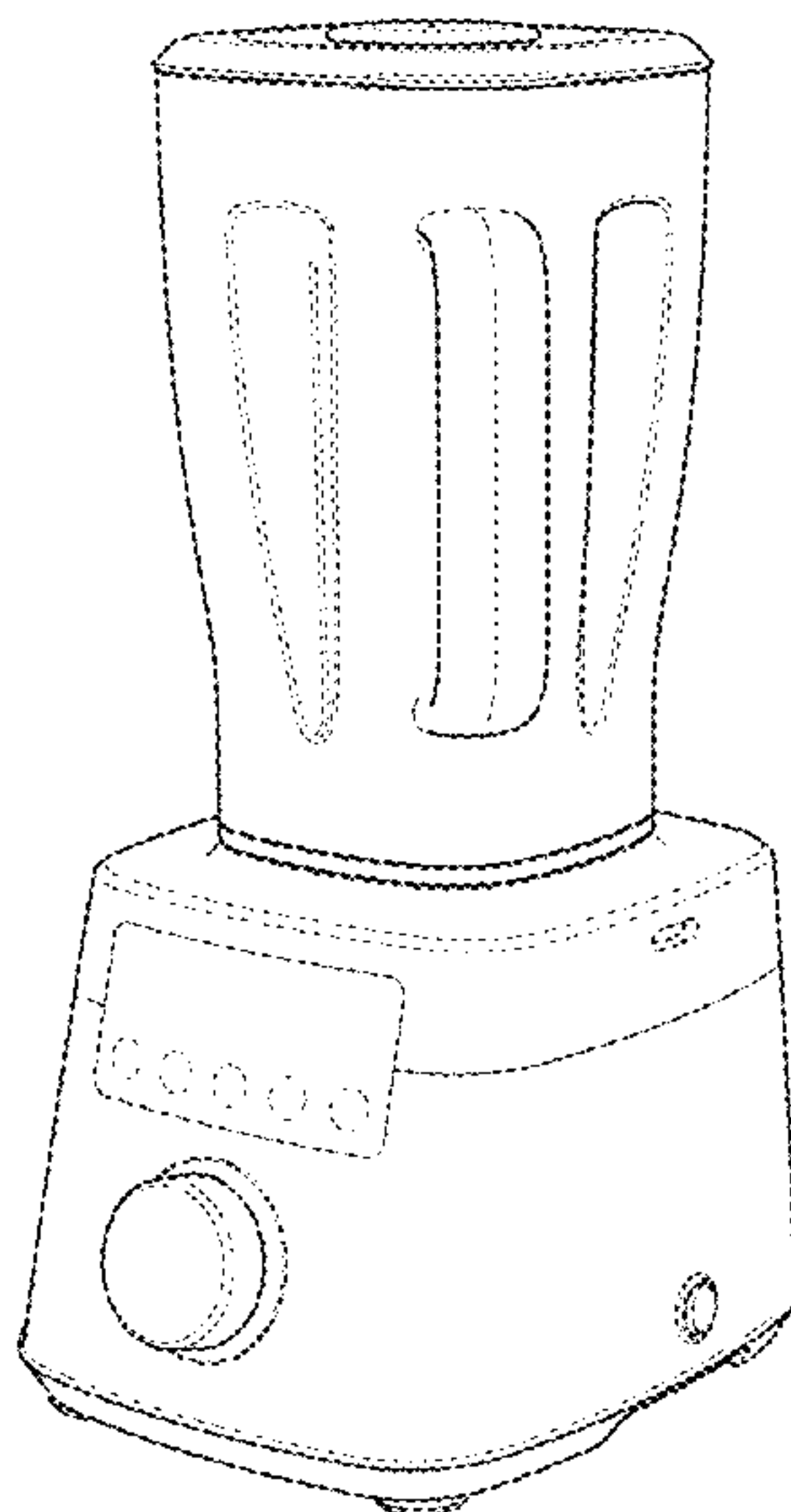
The ornamental design for blender, as shown and described.

**DESCRIPTION**

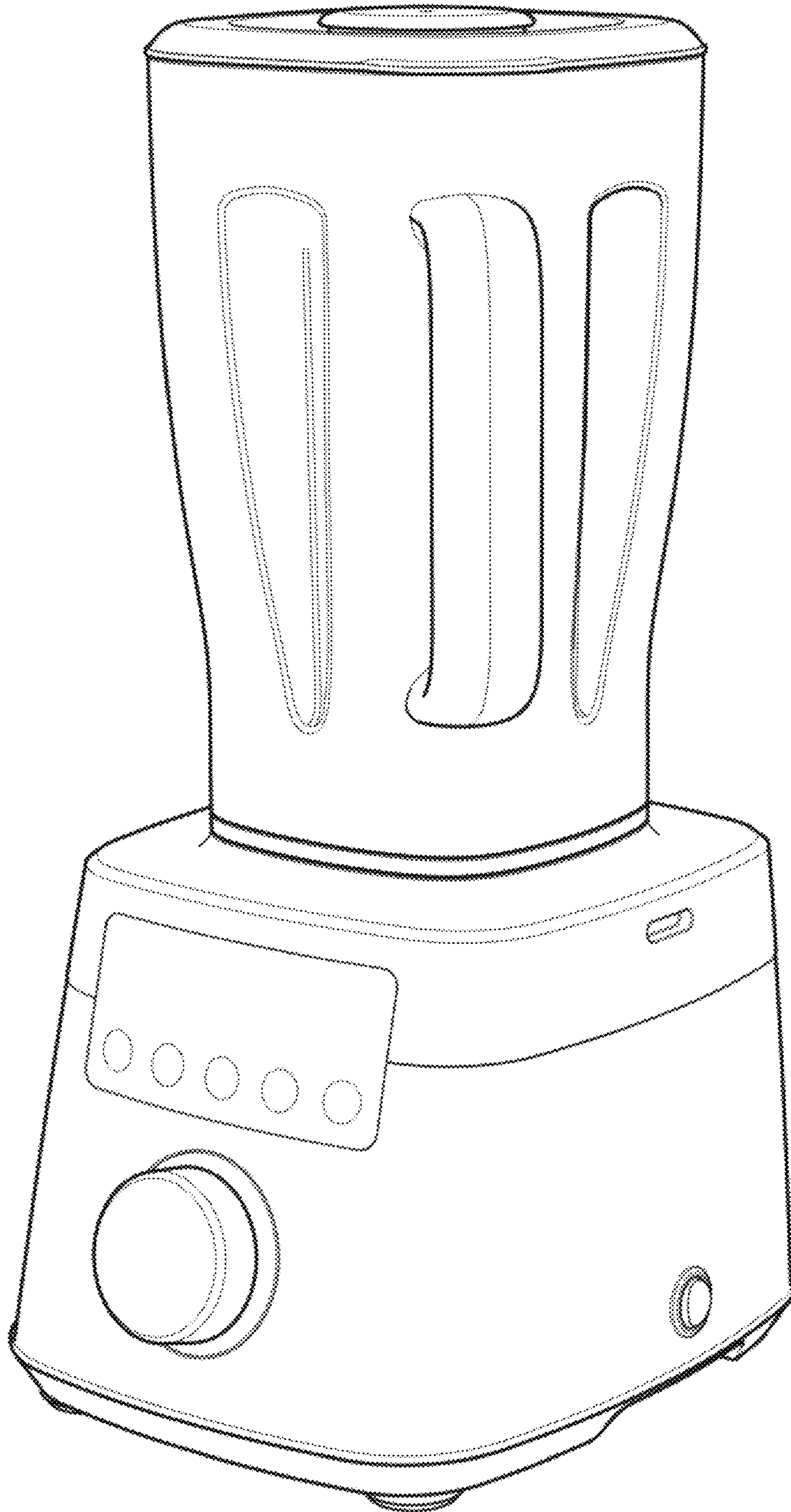
1. Blender

- 1.1 is a perspective view showing the blender our design;
- 1.2 is a front elevational view thereof;
- 1.3 is a rear elevational view thereof;
- 1.4 is a left side elevational view thereof;
- 1.5 is a right side elevational view thereof;
- 1.6 is a top plan view thereof; and
- 1.7 is a bottom plan view thereof.

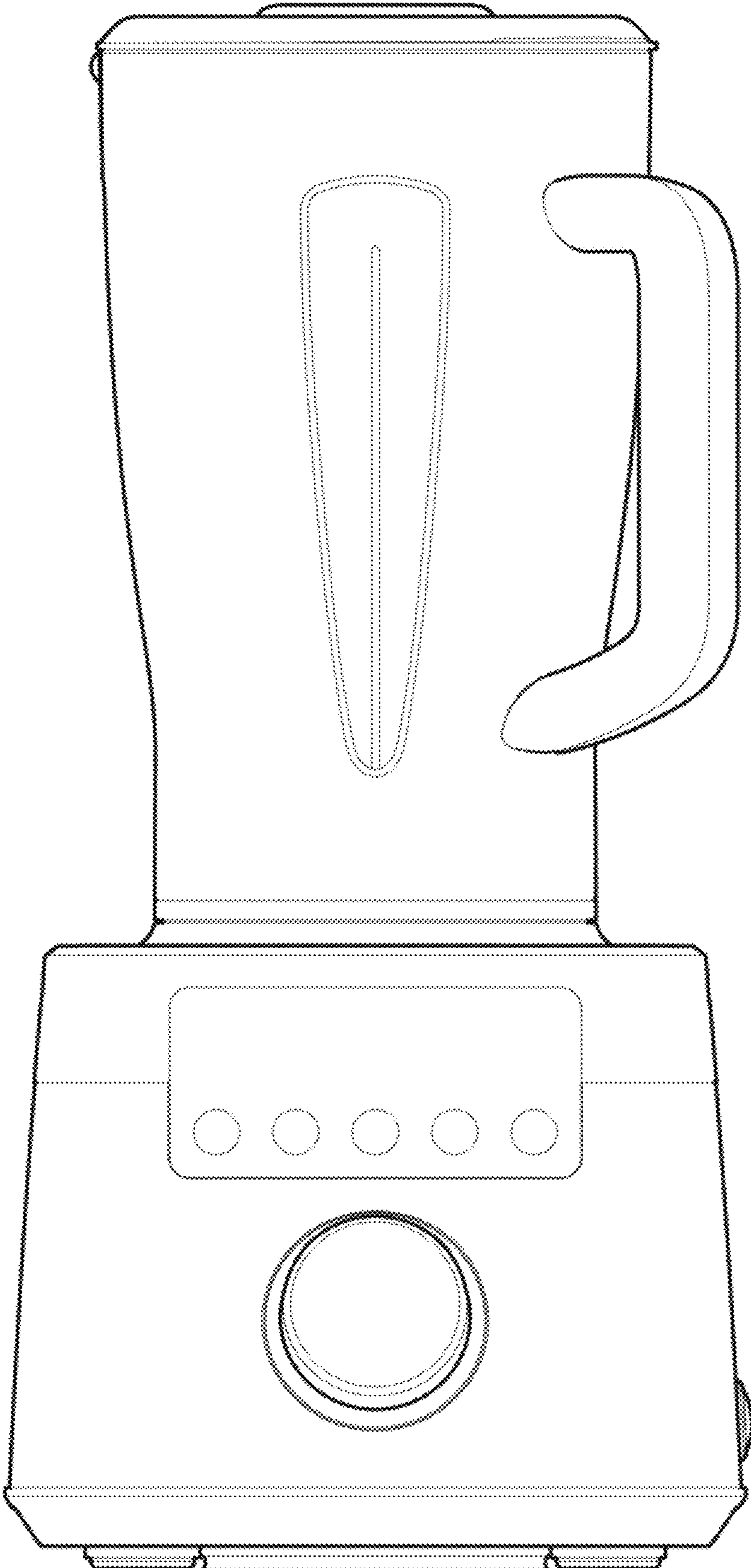
**1 Claim, 7 Drawing Sheets**



1.1

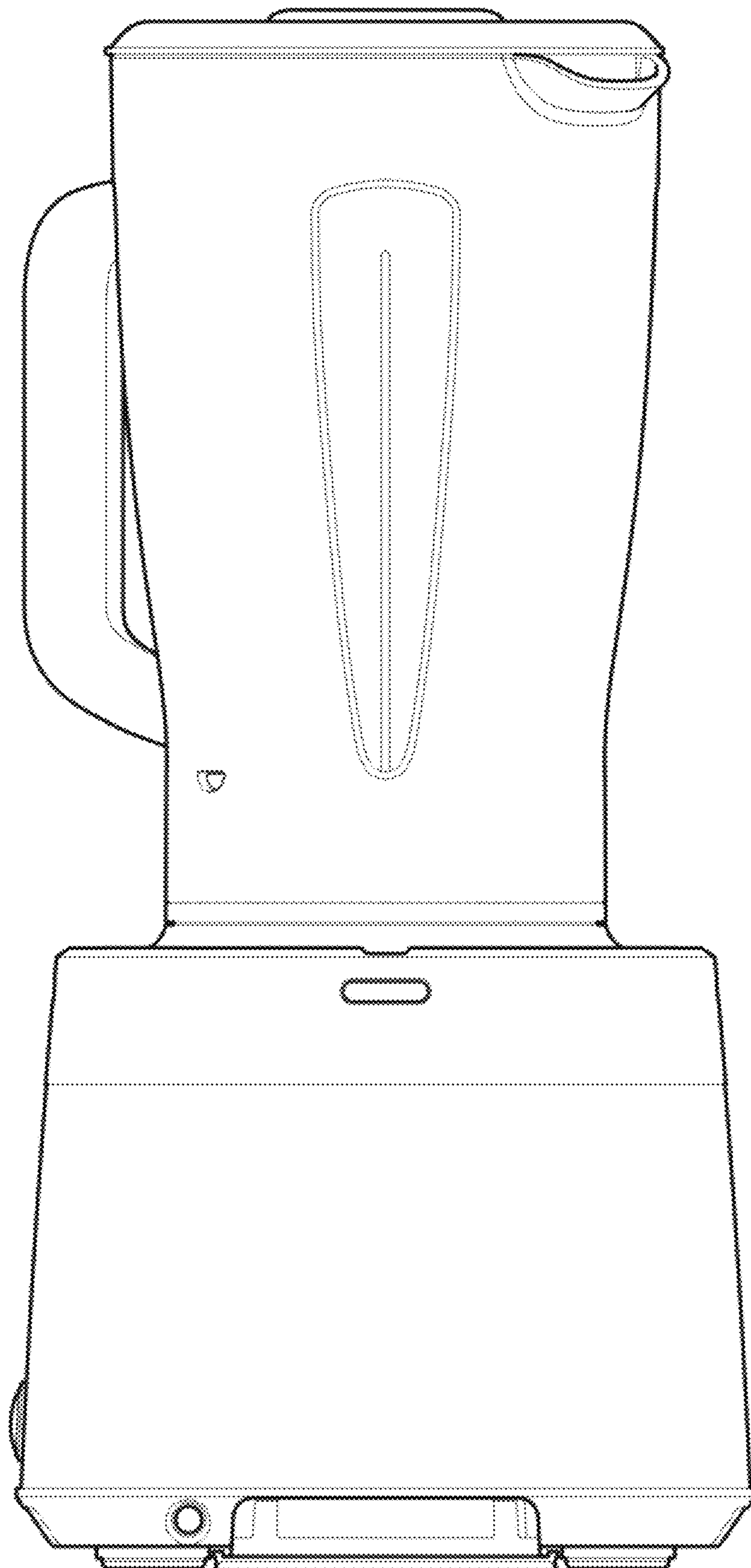


1.2

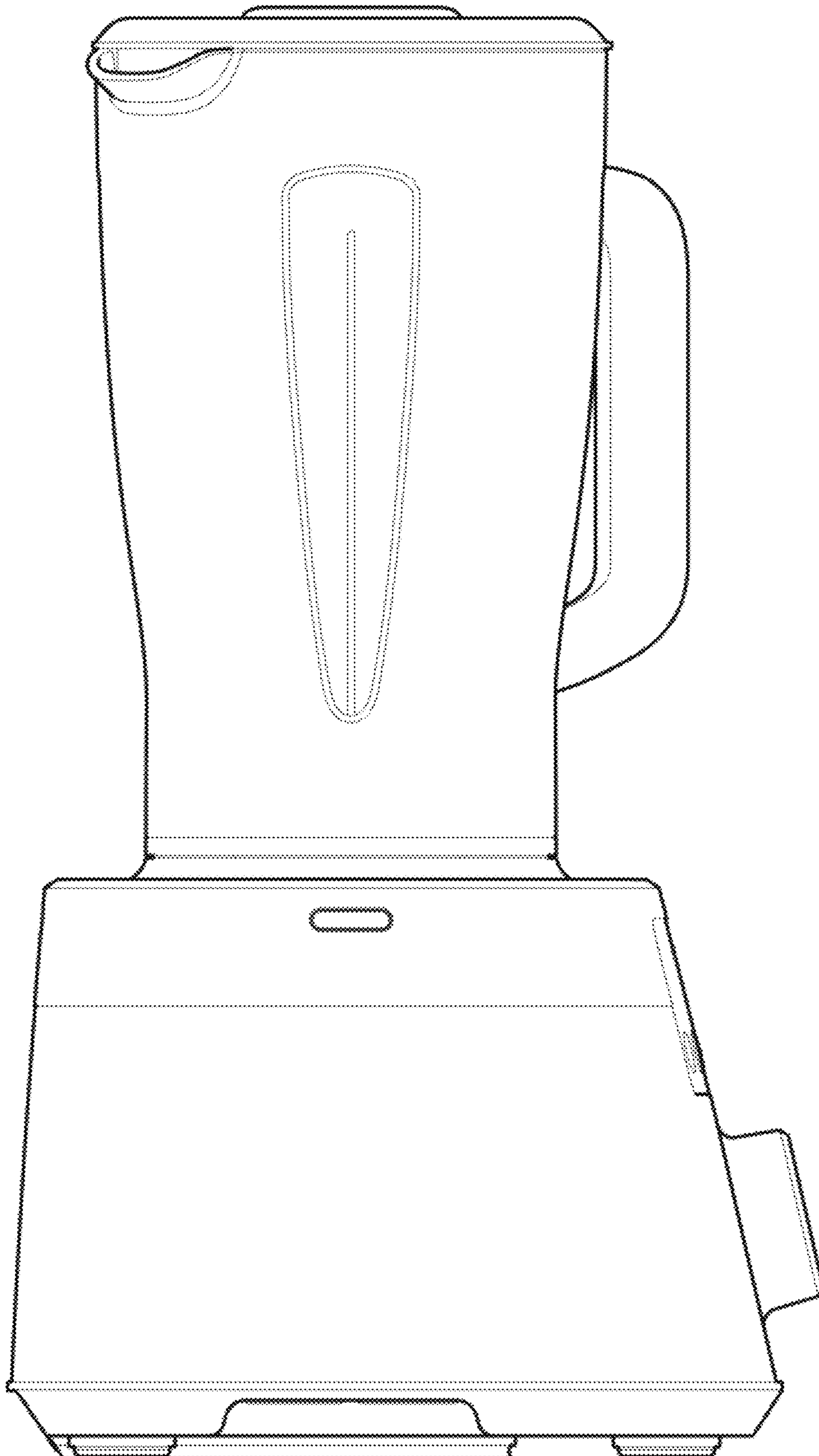




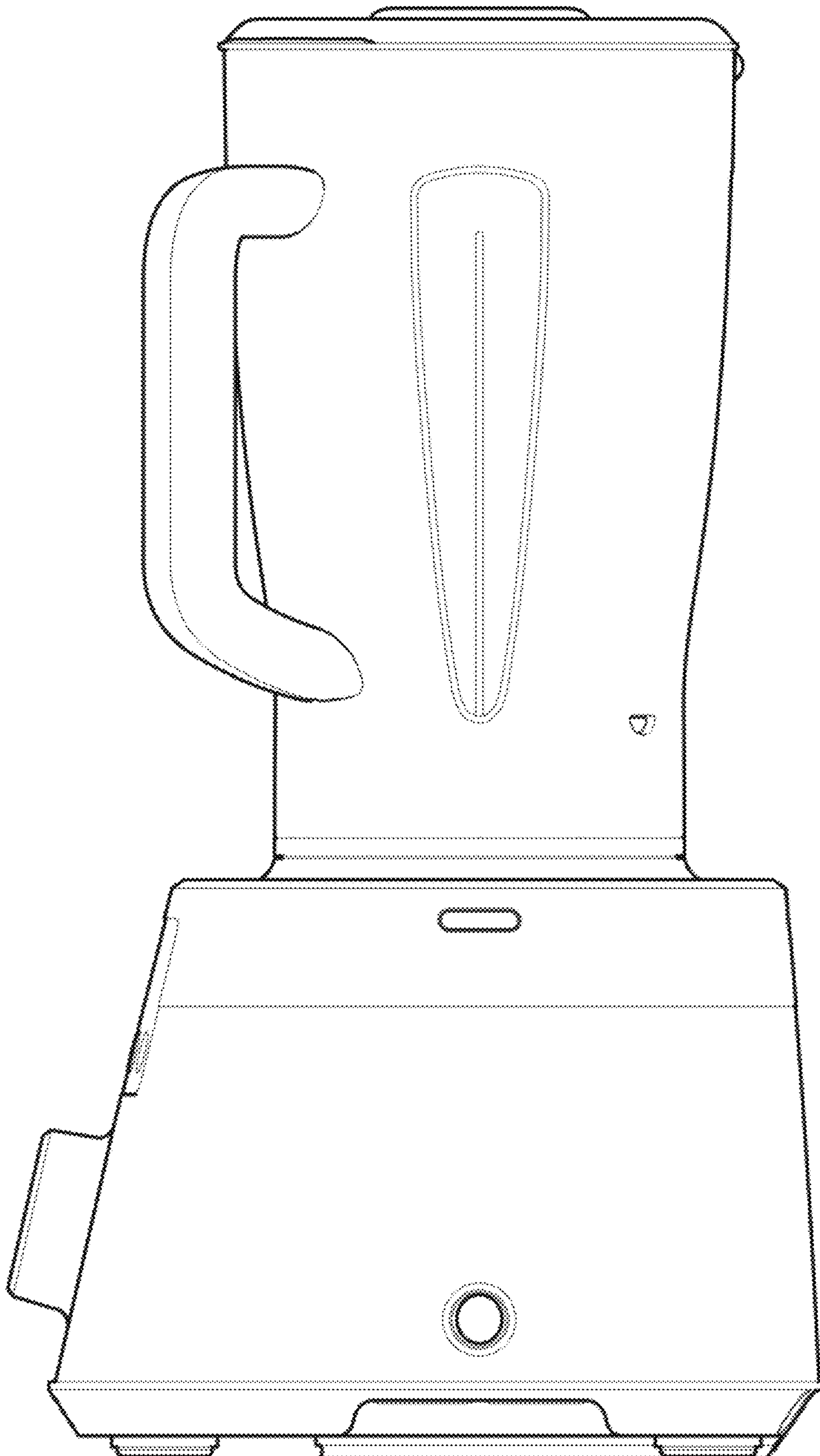
1.3



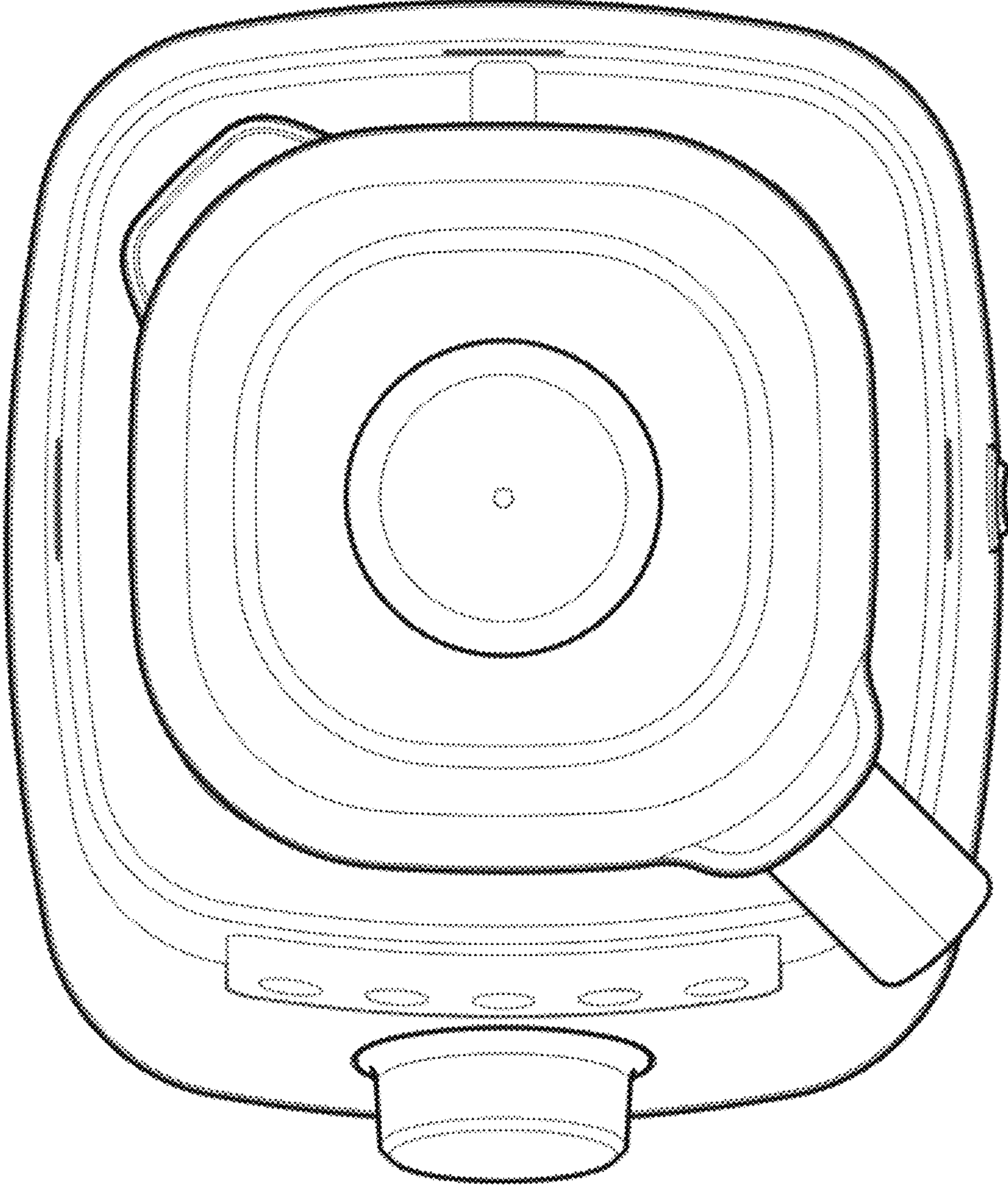
1.4



1.5



1.6





1.7

