



US00D828078S

(12) **United States Design Patent**  
**Mattei et al.**

(10) **Patent No.:** **US D828,078 S**

(45) **Date of Patent:** **\*\* Sep. 11, 2018**

(54) **MICROWAVE OVEN ACCESSORY**

(71) Applicant: **SNIPS S.R.L.**, Ossago Lodigiano  
(LODI) (IT)

(72) Inventors: **Maurizio Mattei**, Recanati (IT);  
**Nicoletta Carella**, Recanati (IT)

(73) Assignee: **SNIPS S.R.L.**, Ossago Lodigiano (IT)

(\*\*) Term: **15 Years**

(21) Appl. No.: **29/592,103**

(22) Filed: **Jan. 26, 2017**

(30) **Foreign Application Priority Data**

Jul. 27, 2016 (EM) ..... 003321082-0005

(51) **LOC (11) Cl.** ..... **07-02**

(52) **U.S. Cl.**  
USPC ..... **D7/361**

(58) **Field of Classification Search**

USPC ..... D7/323, 337, 339-341, 352, 354-358,  
D7/360-367, 393, 402-403, 407-411,  
D7/601, 605, 629, 701, 703; D9/761  
CPC ..... A21B 1/06; A21B 1/50; A21B 1/52; A47J  
37/04; A47J 37/06; A47J 37/015; A47J  
37/067; A47J 37/0611; A47J 37/0629;  
A47J 37/0676; A47J 37/108; F24C 7/06;  
F24C 7/083; F24C 15/02; F24C 15/66;  
H05B 3/20; H05B 3/40

See application file for complete search history.

(56) **References Cited**

**U.S. PATENT DOCUMENTS**

4,065,909 A \* 1/1978 Mueller ..... B65B 7/168  
53/129.1  
D256,762 S \* 9/1980 Scott ..... D7/360  
D299,106 S \* 12/1988 Pomroy ..... D7/325  
D575,115 S \* 8/2008 Zimmerman ..... D7/629  
D638,290 S \* 5/2011 Cimmerer ..... D9/429

D706,084 S \* 6/2014 Manley ..... D7/629  
D730,127 S \* 5/2015 Maxwell ..... D7/629  
D803,006 S \* 11/2017 Min ..... D7/608  
D803,631 S \* 11/2017 Min ..... D7/605  
D803,681 S \* 11/2017 Yang ..... D9/432  
2007/0065545 A1\* 3/2007 Vovan ..... B65D 77/046  
426/129  
2016/0152387 A1\* 6/2016 Loaiza Alvarez .... A47J 36/027  
220/203.09

**FOREIGN PATENT DOCUMENTS**

EM 003321082-0005 \* 7/2016  
GB 2515988 \* 1/2015

**OTHER PUBLICATIONS**

Snips Microwave Cookware Rice Cooker, Posted Jun. 23, 2017  
[Online], Retrieved Feb. 14, 2018, Retrieved From Internet,  
<<https://www.amazon.com/Snips-Microwave-Cookware-Rice-Cooker/dp/B071VZLMJX>>.\*

(Continued)

*Primary Examiner* — Barbara Fox

*Assistant Examiner* — Messina L Smith

(74) *Attorney, Agent, or Firm* — Pearne & Gordon LLP

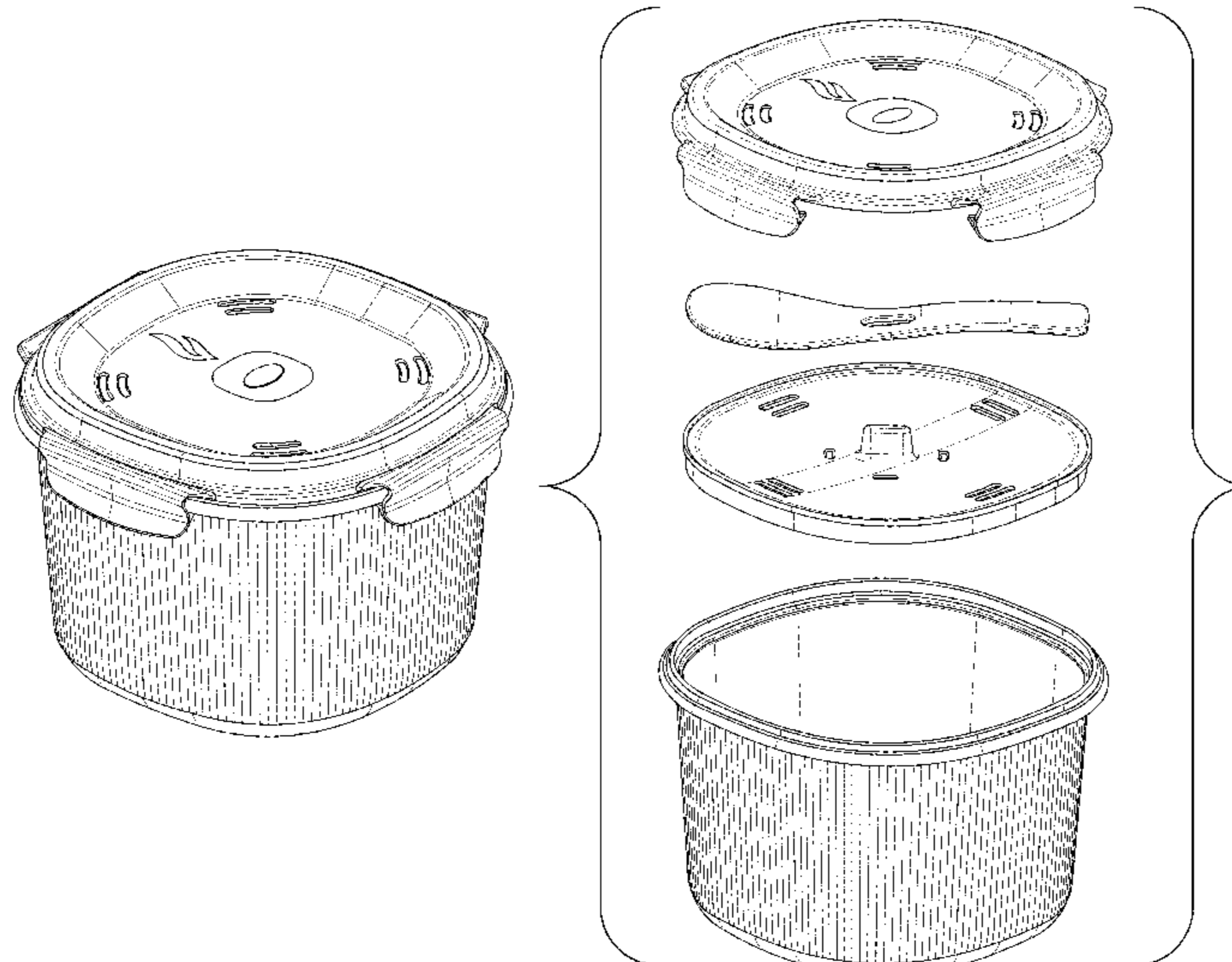
(57) **CLAIM**

The ornamental design for a microwave oven accessory, as shown and described.

**DESCRIPTION**

FIG. 1 is a perspective view of a microwave oven accessory, showing our new design;  
FIG. 2 is a top view thereof;  
FIG. 3 is a bottom view thereof;  
FIG. 4 is a front view thereof;  
FIG. 5 is a back view thereof;  
FIG. 6 is a right side view thereof, the left side view being a mirror image thereof; and,  
FIG. 7 is an exploded view thereof.

**1 Claim, 4 Drawing Sheets**



(56)

**References Cited**

OTHER PUBLICATIONS

Rice&Grain Cooker, Posted Feb. 27, 2017 [Online], 00:00, Retrieved Feb. 14, 2018, Retrieved From Internet, <<https://www.youtube.com/watch?v=jJWjYwjp3TE>>.\*

Snips 2.7L Microwave Rice Cooker, Posted 2002-2018 [Online], Retrieved Feb. 14, 2018, Retrieved From Internet, <<https://www.hayneedle.com/product/snips27lmicrowavericecooker.cfm>>.\*

\* cited by examiner

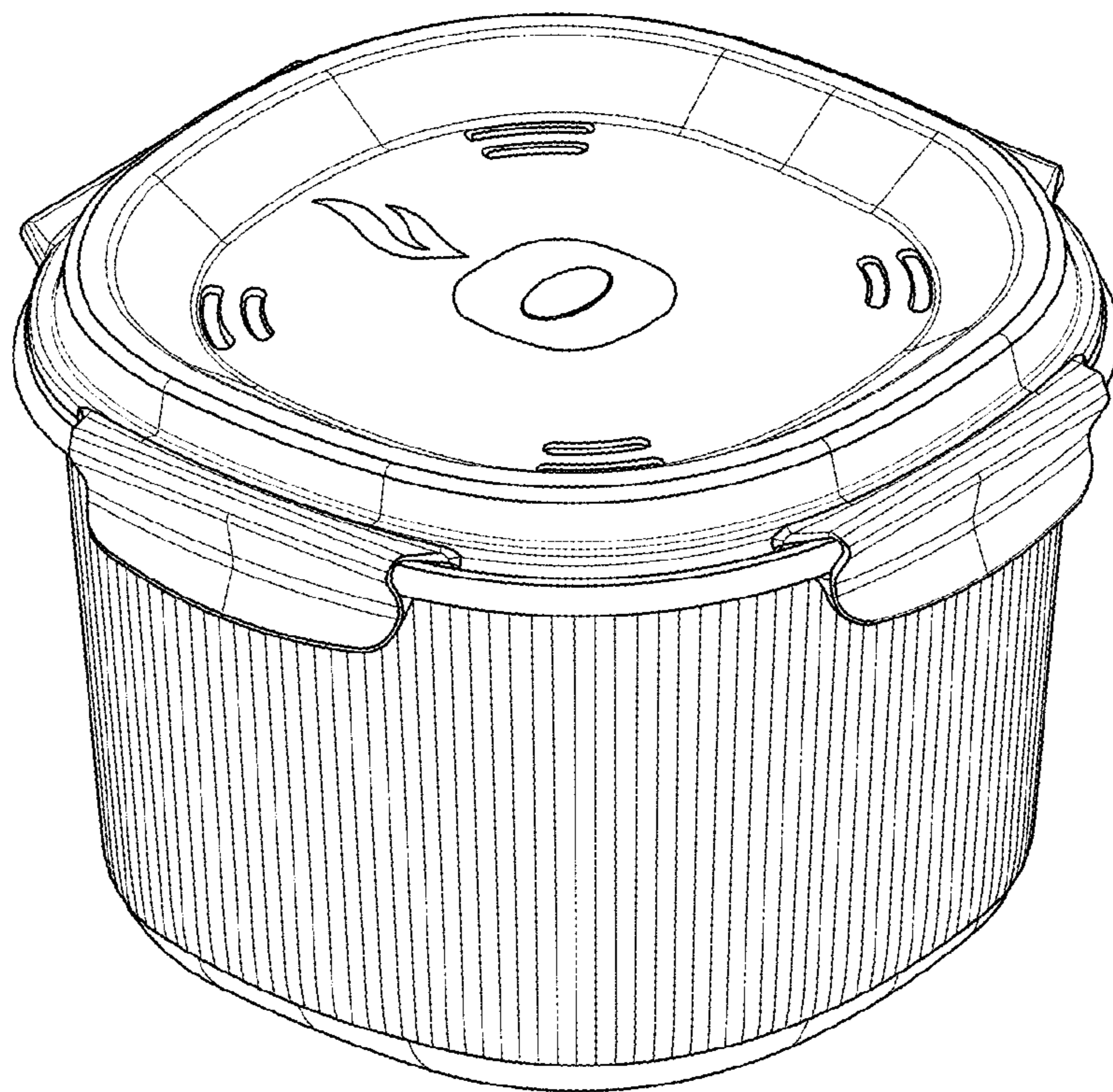


FIG. 1

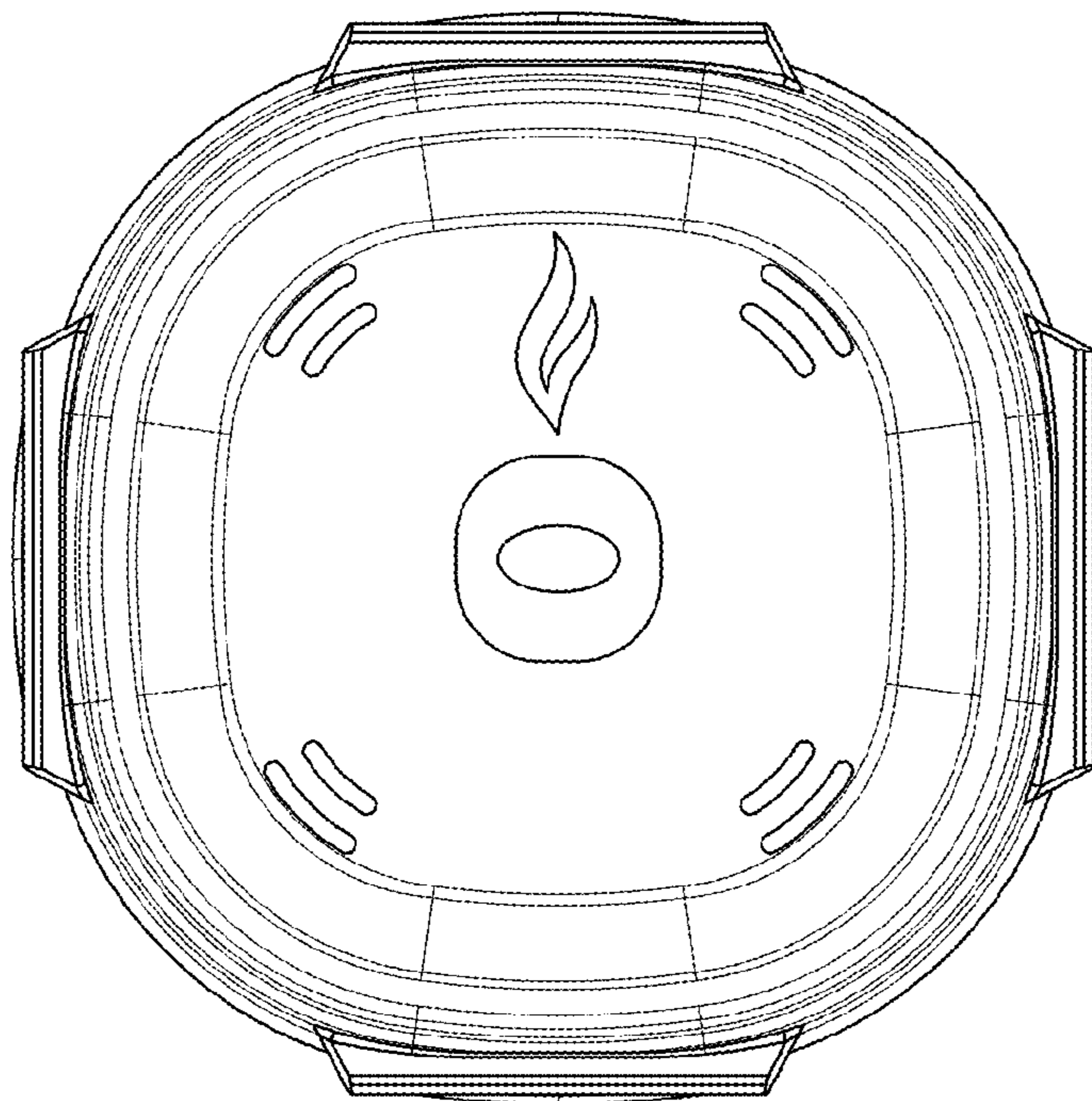


FIG. 2

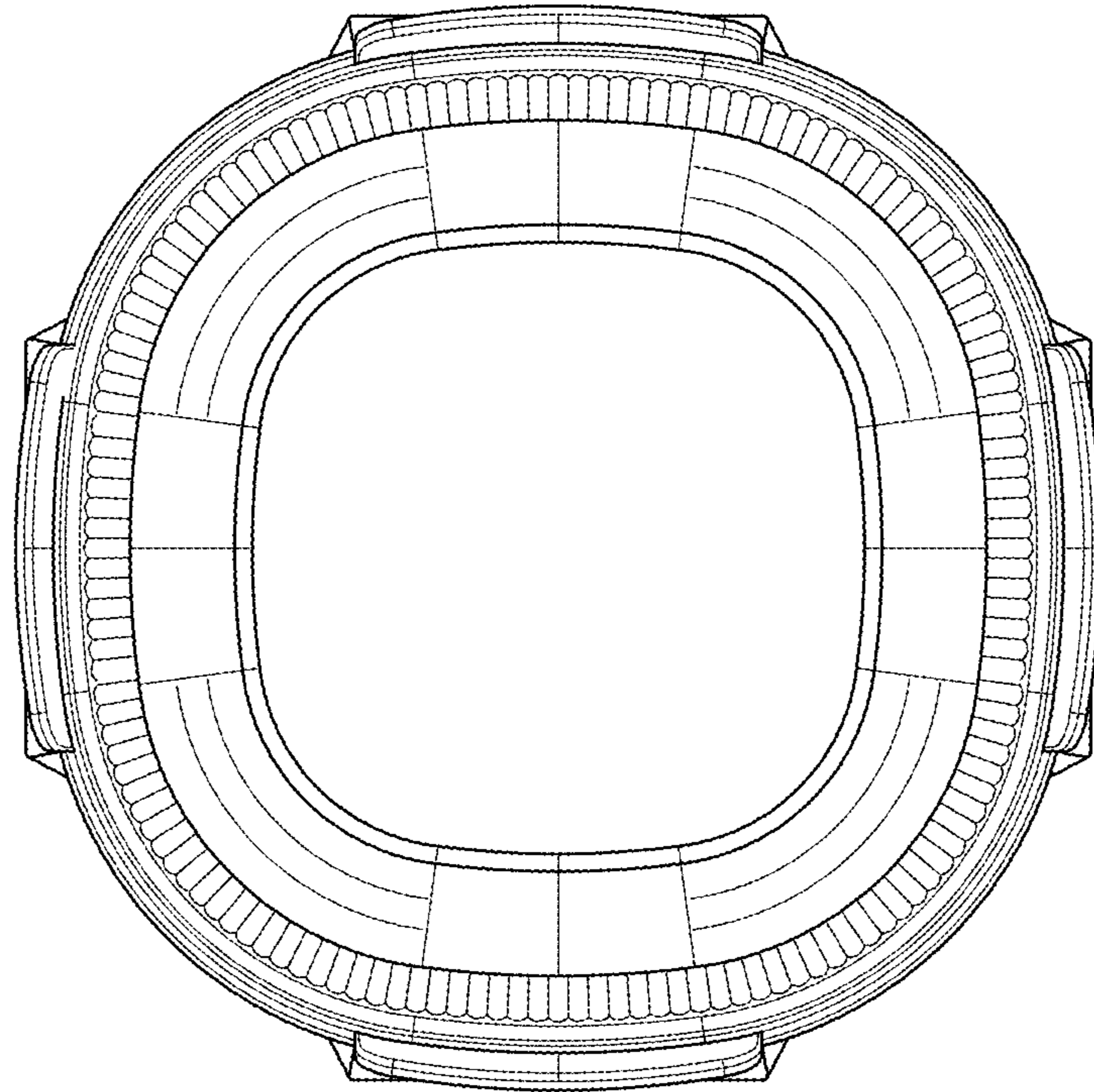


FIG. 3

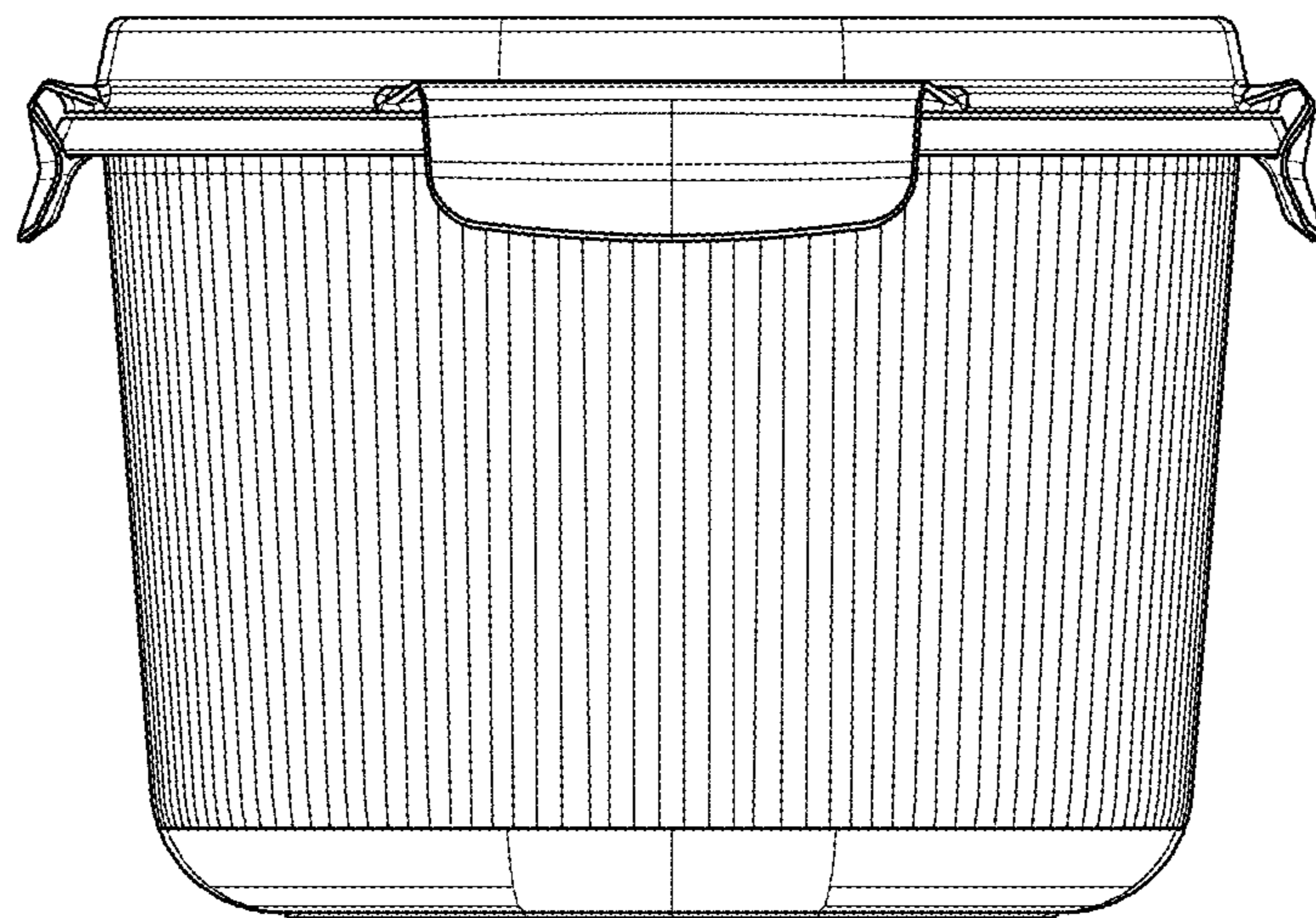


FIG. 4

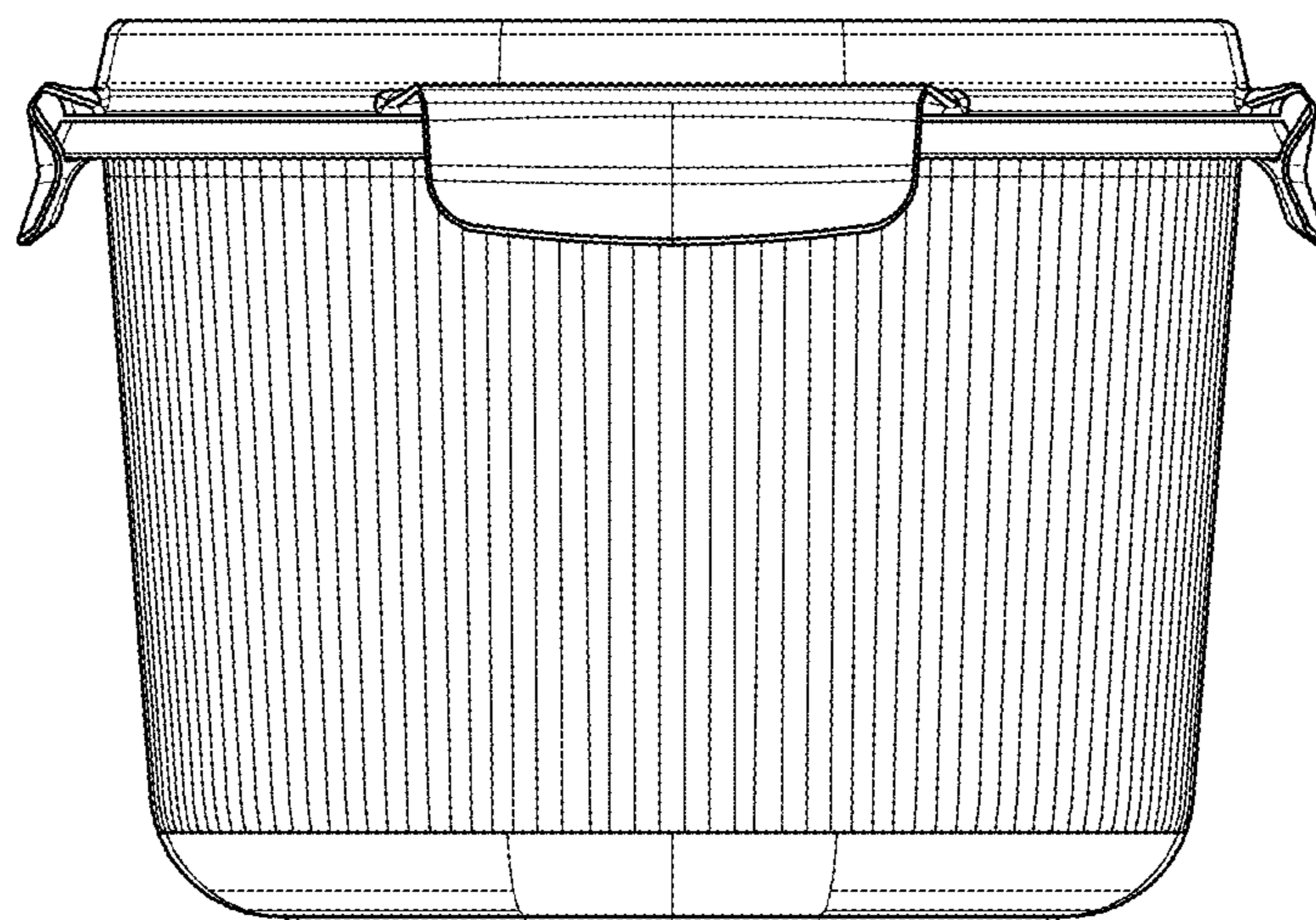


FIG. 5

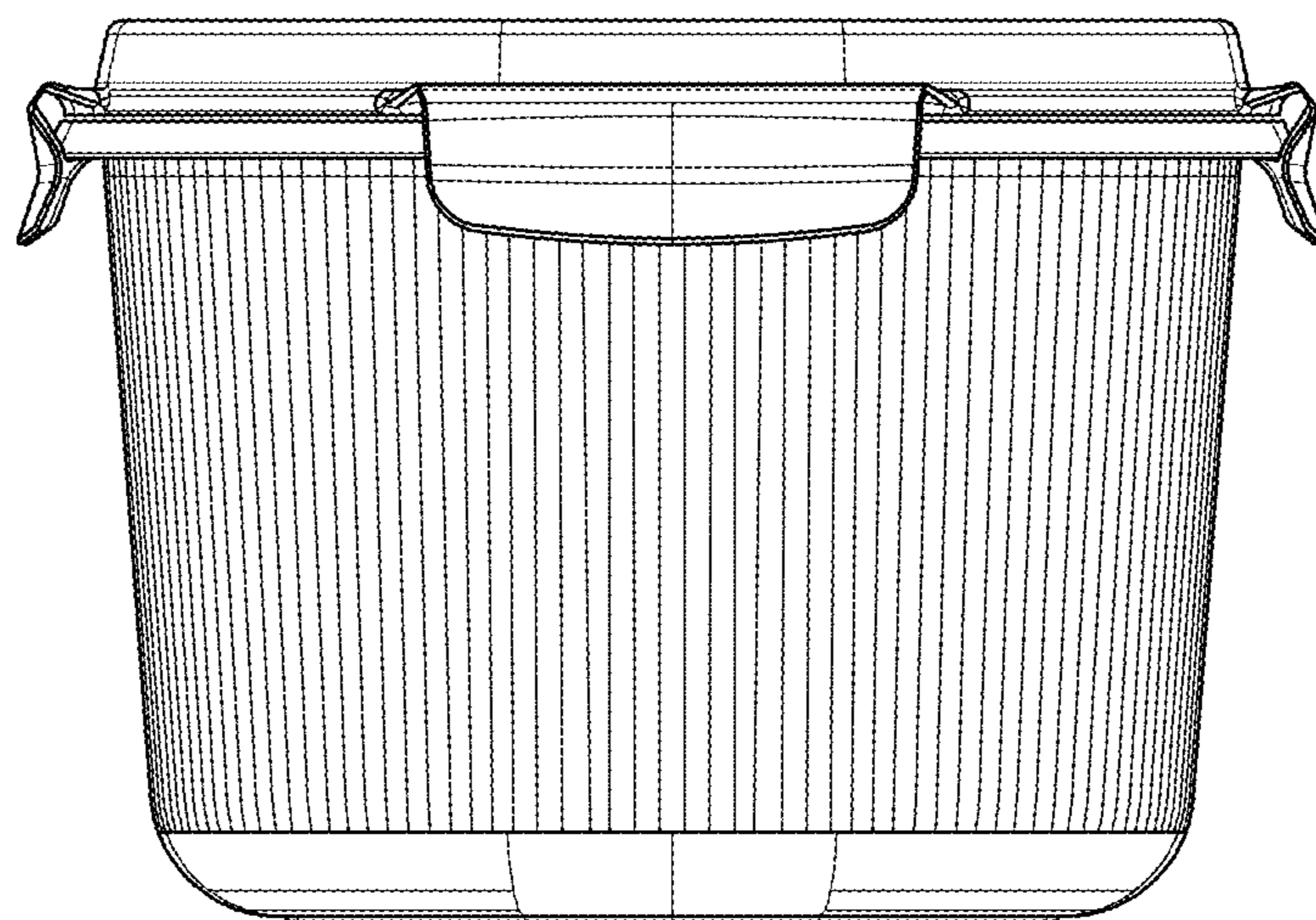


FIG. 6

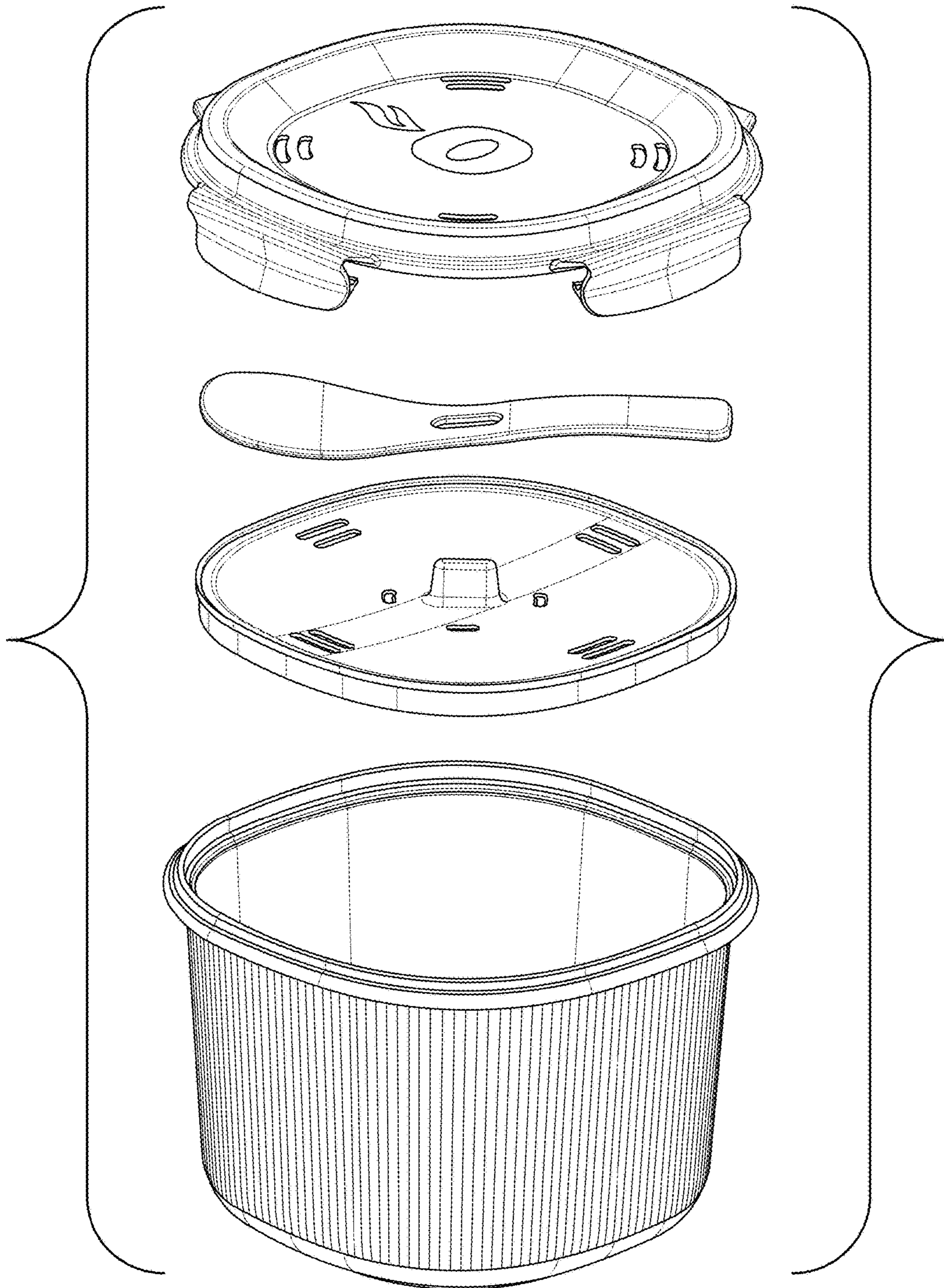


FIG. 7