



US00D828074S

(12) **United States Design Patent**
Liang et al.

(10) **Patent No.:** **US D828,074 S**

(45) **Date of Patent:** **** Sep. 11, 2018**

(54) **HEALTH GRILL**

(71) Applicant: **Ningbo Borine Electric Appliance Co., Ltd.**, Ningbo, Zhejiang (CN)

(72) Inventors: **Mingzhao Liang**, Zhejiang (CN);
Chufan Chen, Zhejiang (CN)

(73) Assignee: **Ningbo Borine Electric Appliance Co., Ltd.**, Ningbo (CN)

(**) Term: **15 Years**

(21) Appl. No.: **29/609,942**

(22) Filed: **Jul. 7, 2017**

(30) **Foreign Application Priority Data**

May 15, 2017 (CN) 2017 3 0176708

(51) **LOC (11) Cl.** **07-02**

(52) **U.S. Cl.**
USPC **D7/352**

(58) **Field of Classification Search**
USPC D7/323, 328-330, 337, 347, 352-364,
D7/367, 402, 409-411
CPC . A21B 5/023; A47J 27/60; A47J 27/62; A47J
36/36; A47J 37/04; A47J 37/06; A47J
37/067; A47J 37/0605; A47J 37/0611;
A47J 37/0623; A47J 37/0629; A47J
37/0676; A47J 37/105; A47J 2037/06;
A47J 2037/0611; B01D 46/10; F24C
15/10; F24C 15/102; H05B 6/02; H05B
6/062; H05B 6/12
See application file for complete search history.

(56) **References Cited**

U.S. PATENT DOCUMENTS

D509,703 S * 9/2005 Barker D7/352
D527,941 S * 9/2006 Serra D7/352

D528,350 S * 9/2006 McHutchison D7/352
D546,619 S * 7/2007 McHutchison D7/352
7,717,028 B2 * 5/2010 Serra A47J 37/0611
99/339
D622,538 S * 8/2010 Hoare D7/352
7,963,215 B2 * 6/2011 Ho H05B 6/12
219/621
D697,360 S * 1/2014 Josancy D7/352
D801,102 S * 10/2017 Koszylko D7/352
D817,695 S * 5/2018 Liu D7/352
2005/0139086 A1 * 6/2005 McHutchison A47J 37/0611
99/389
2010/0319550 A1 * 12/2010 Wu A47J 37/0611
99/380
2017/0367531 A1 * 12/2017 Yan A47J 37/0611

* cited by examiner

Primary Examiner — Ricky Pham

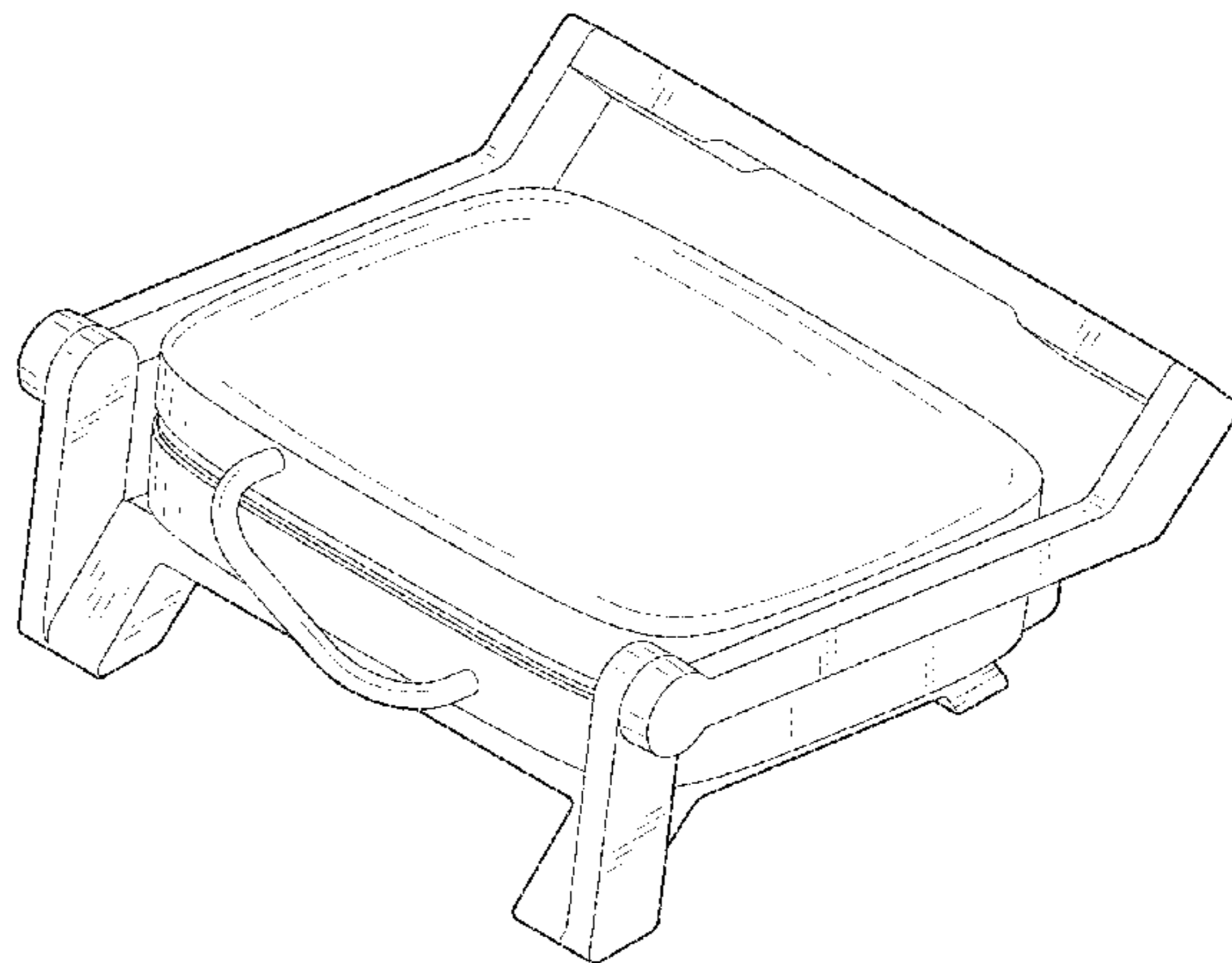
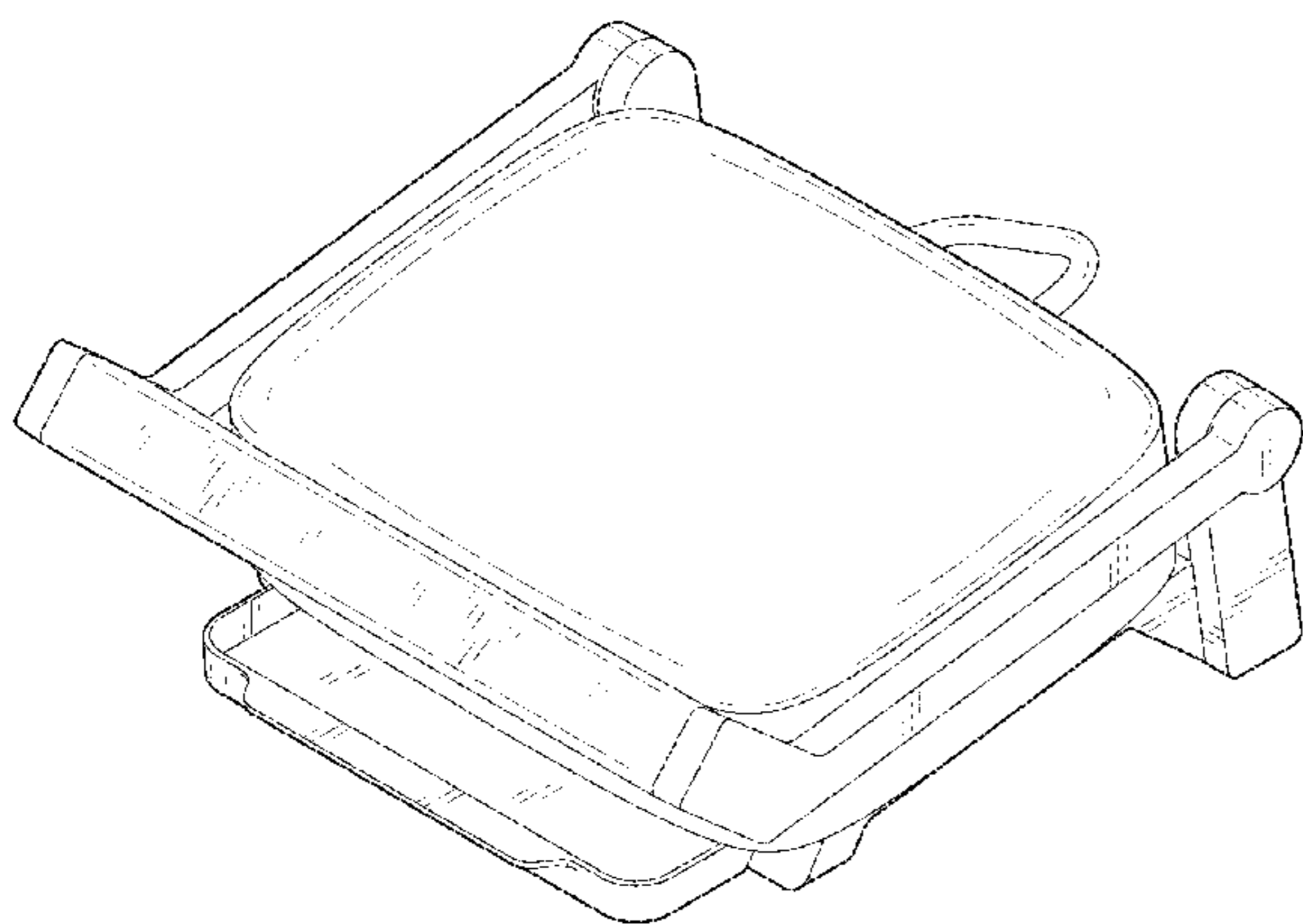
(57) **CLAIM**

The ornamental design for a health grill, as shown and described.

DESCRIPTION

FIG. 1 is a front elevational view of a health grill showing our new design;
FIG. 2 is a rear elevational view thereof;
FIG. 3 is a left side view thereof;
FIG. 4 is a right side view thereof;
FIG. 5 is a top plan view thereof;
FIG. 6 is a bottom plan view thereof;
FIG. 7 is a first perspective view thereof;
FIG. 8 is a second perspective view thereof;
FIG. 9 is a third perspective view thereof; and,
FIG. 10 is a fourth perspective view thereof.

1 Claim, 8 Drawing Sheets



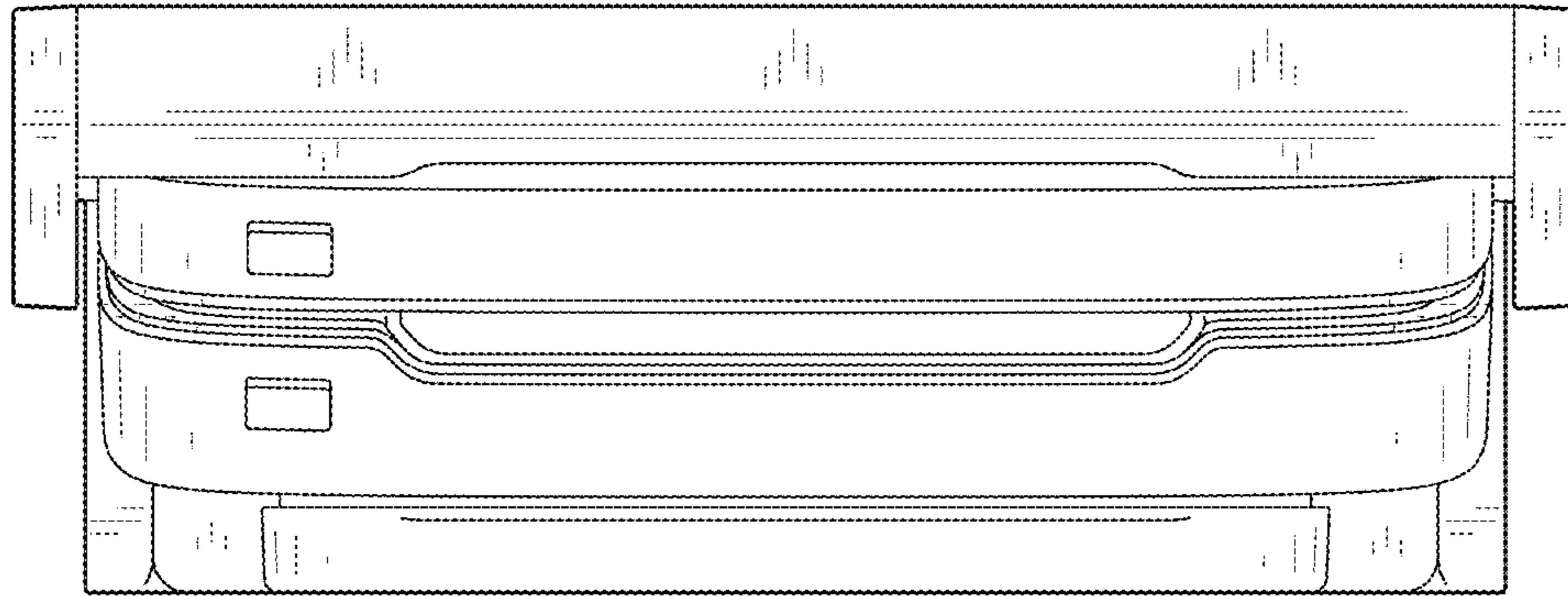


Fig. 1

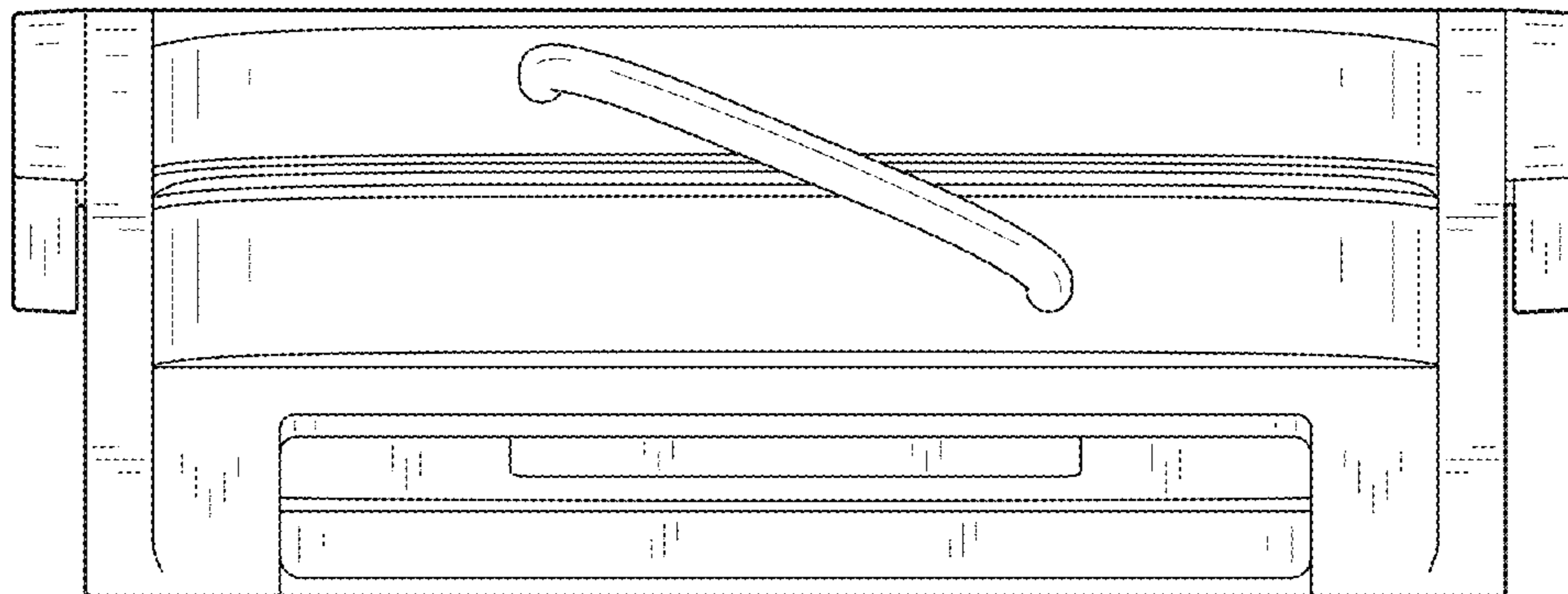


Fig. 2

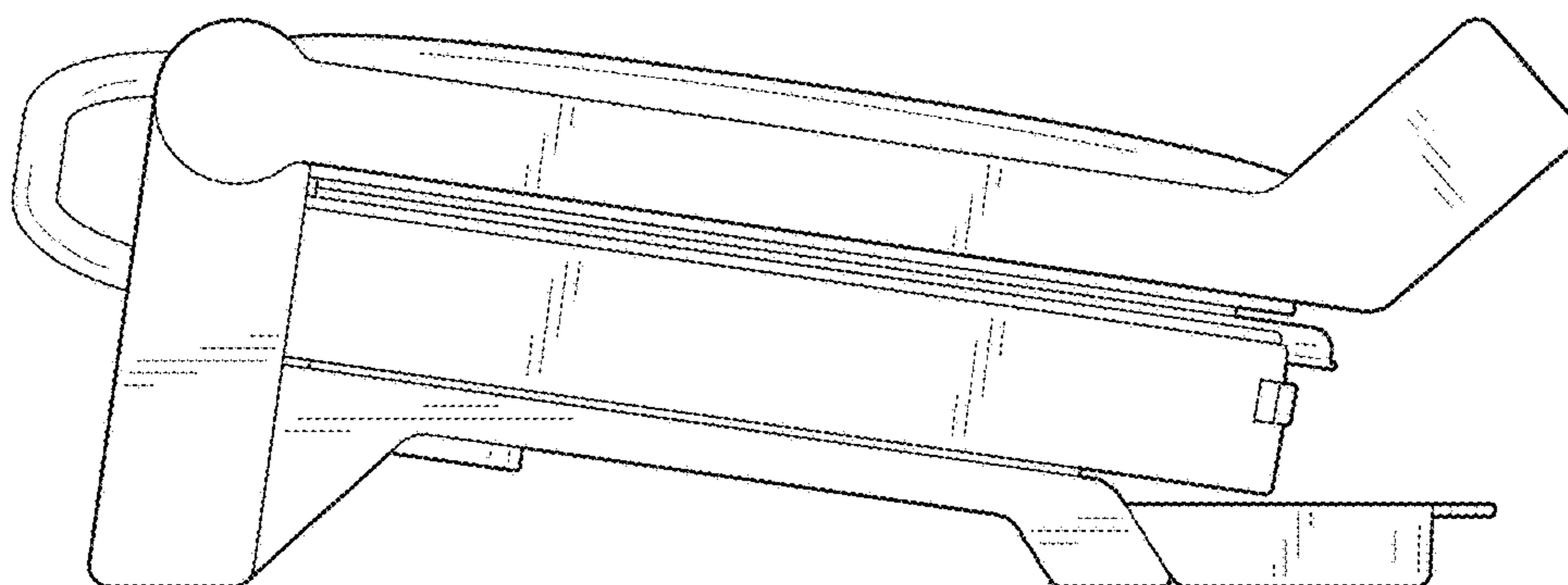


Fig. 3

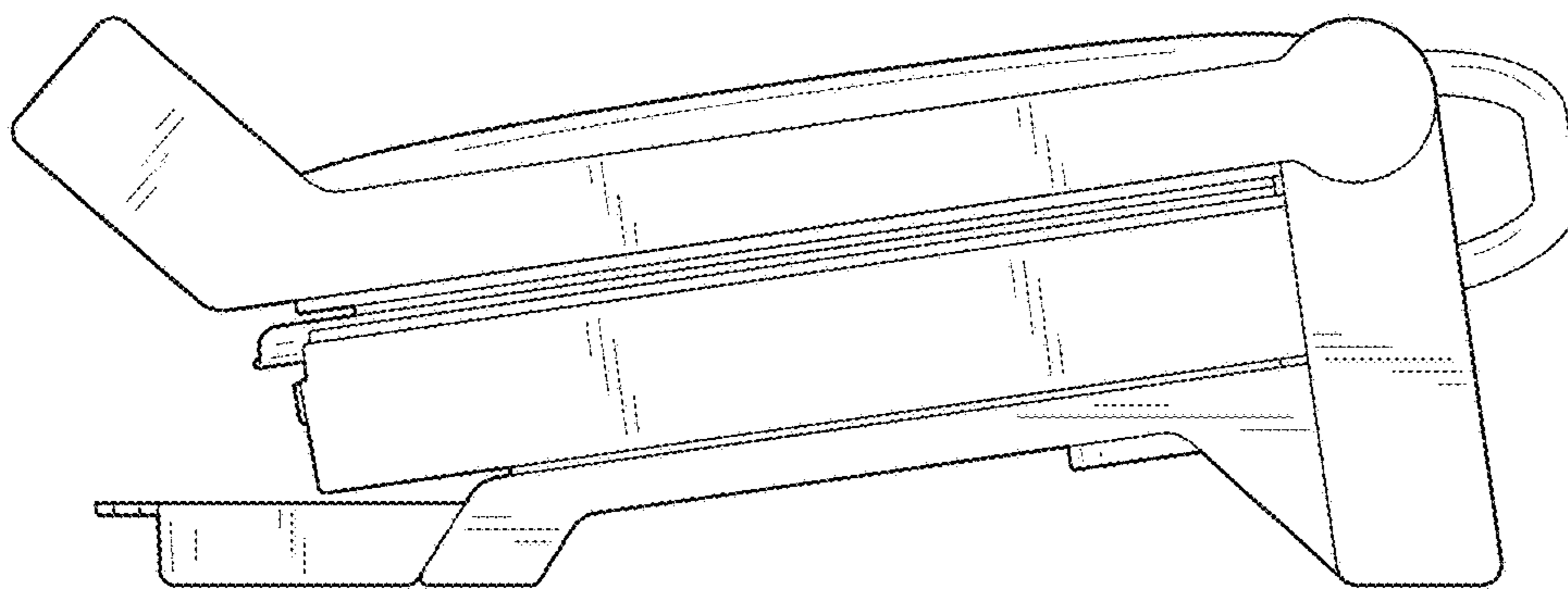


Fig. 4

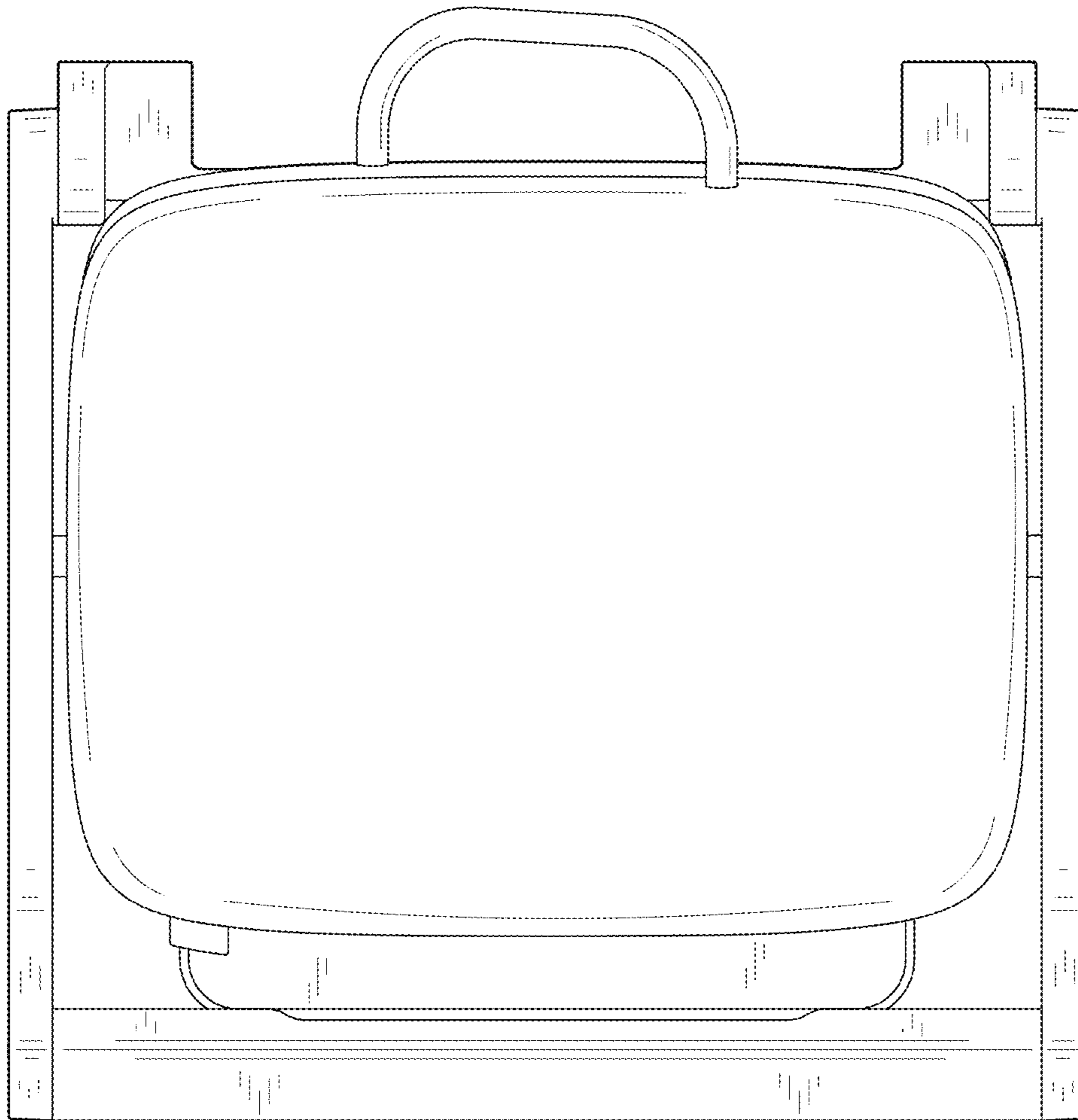


Fig. 5

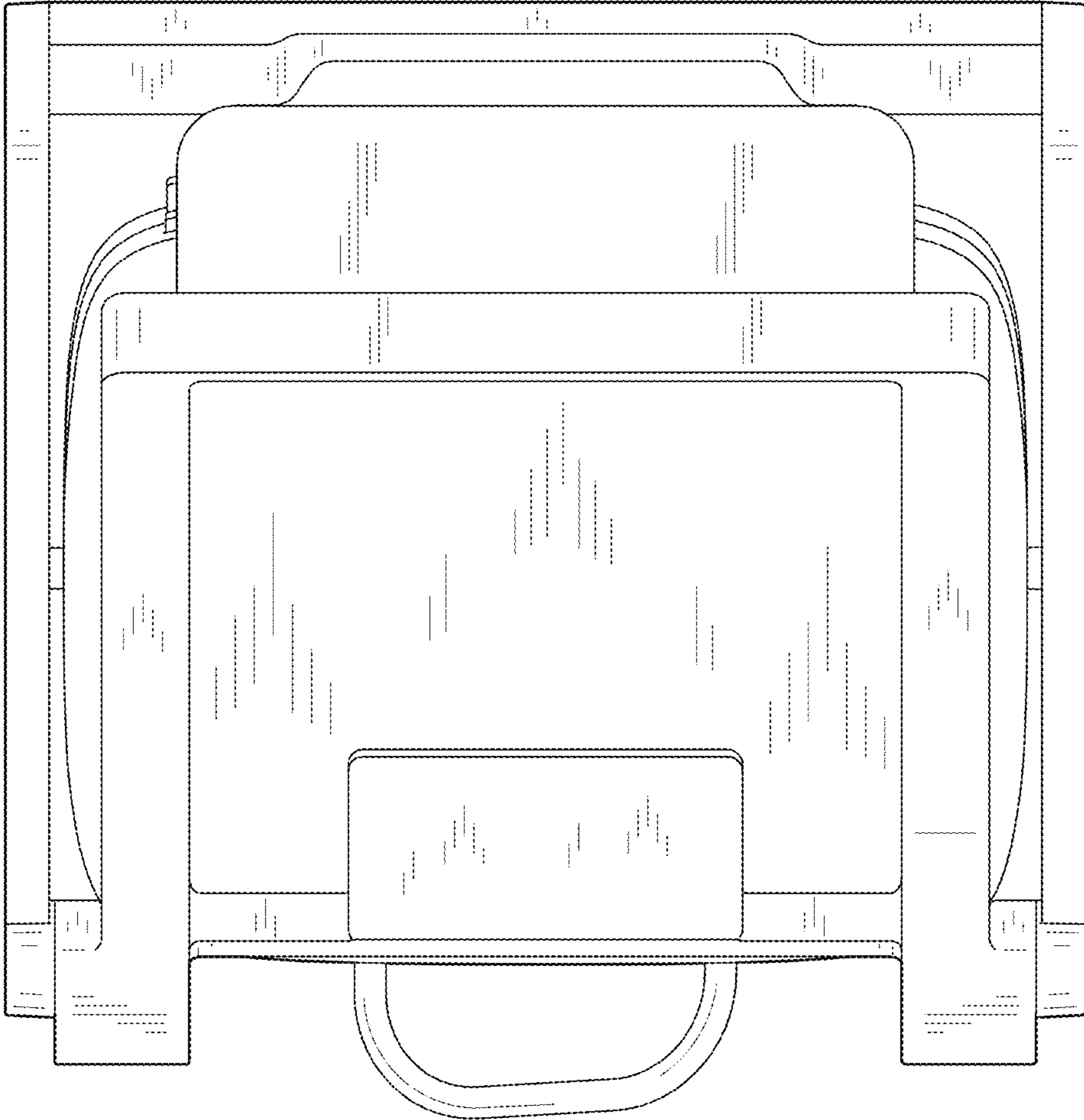


Fig. 6

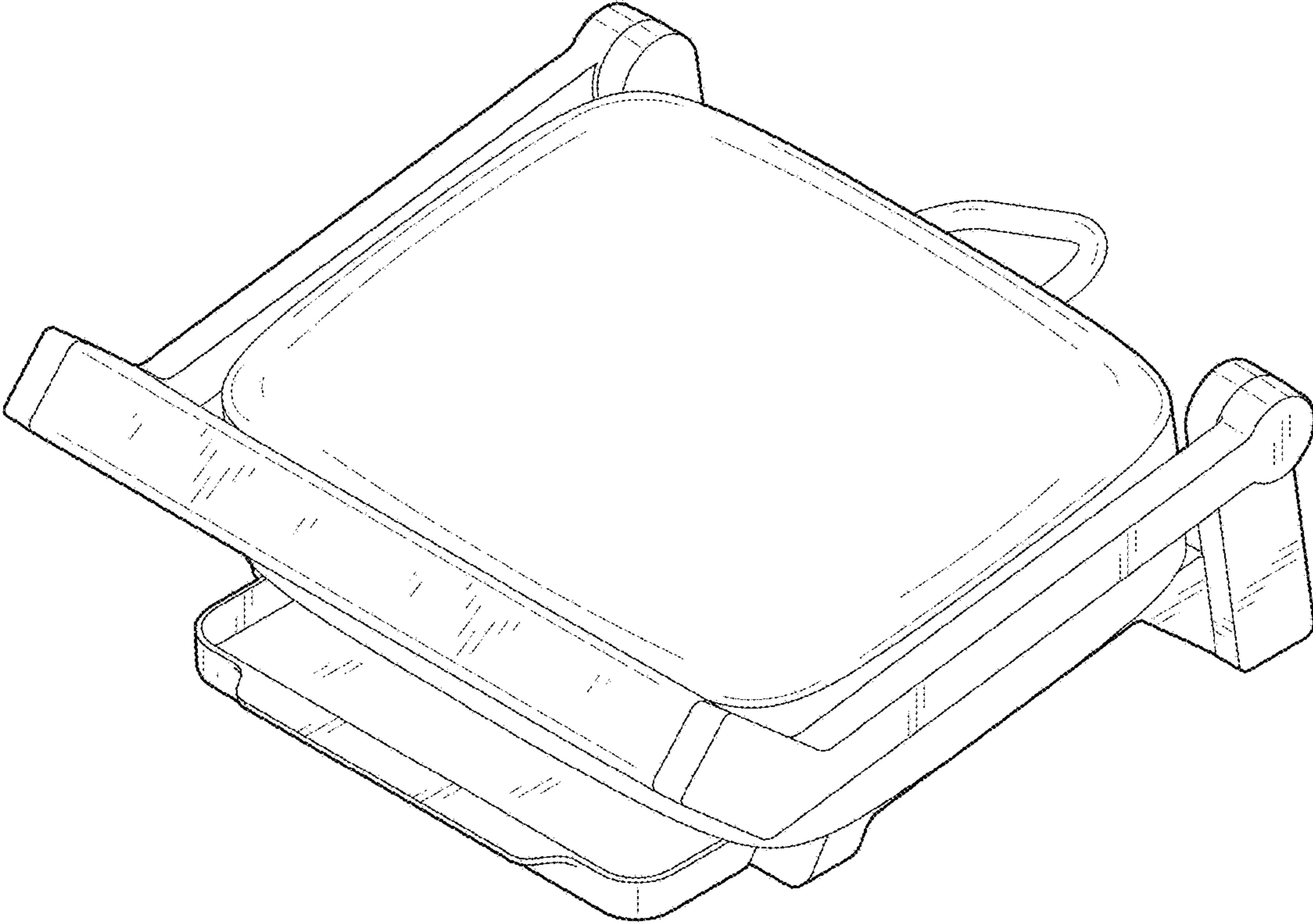


Fig. 7

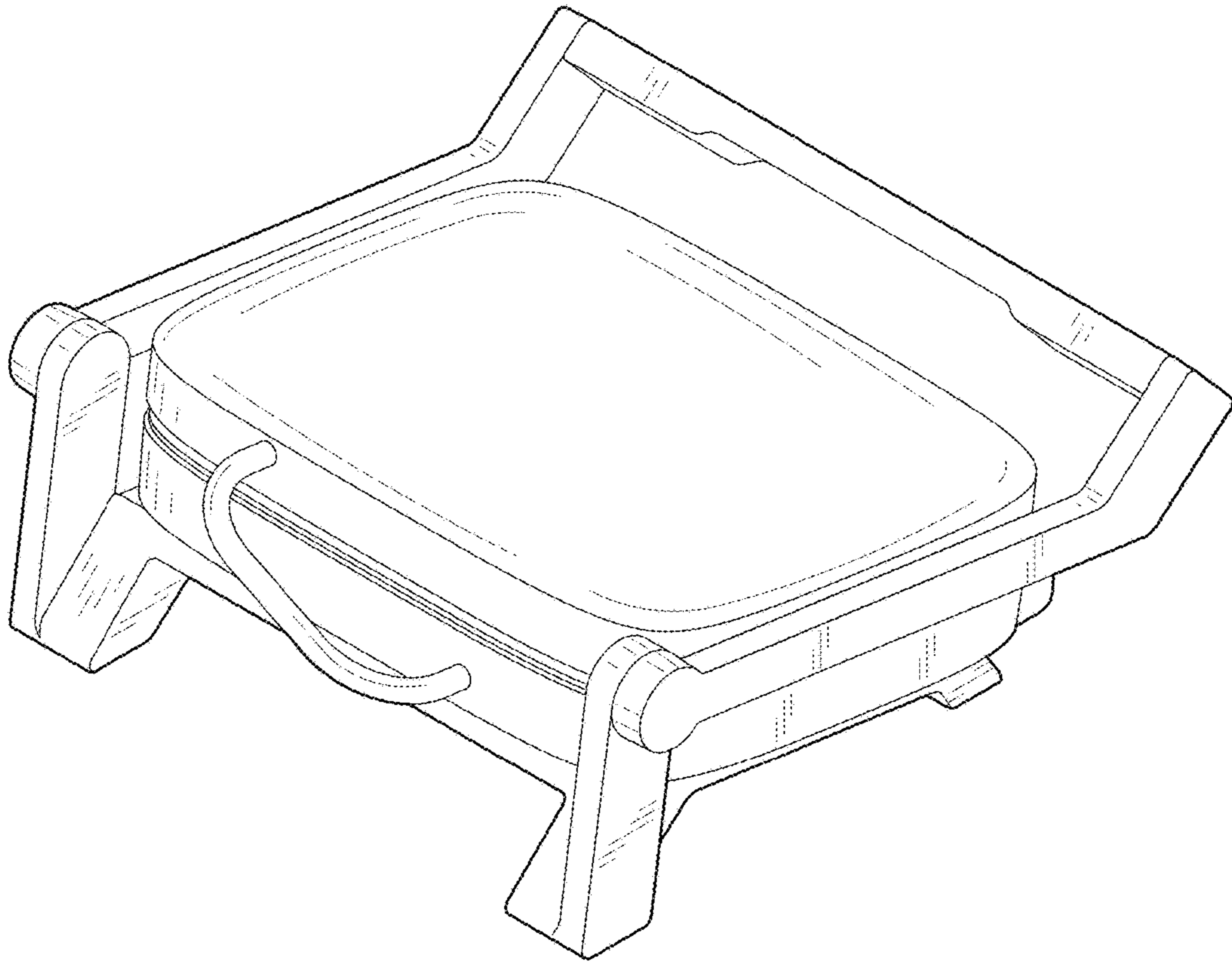


Fig. 8

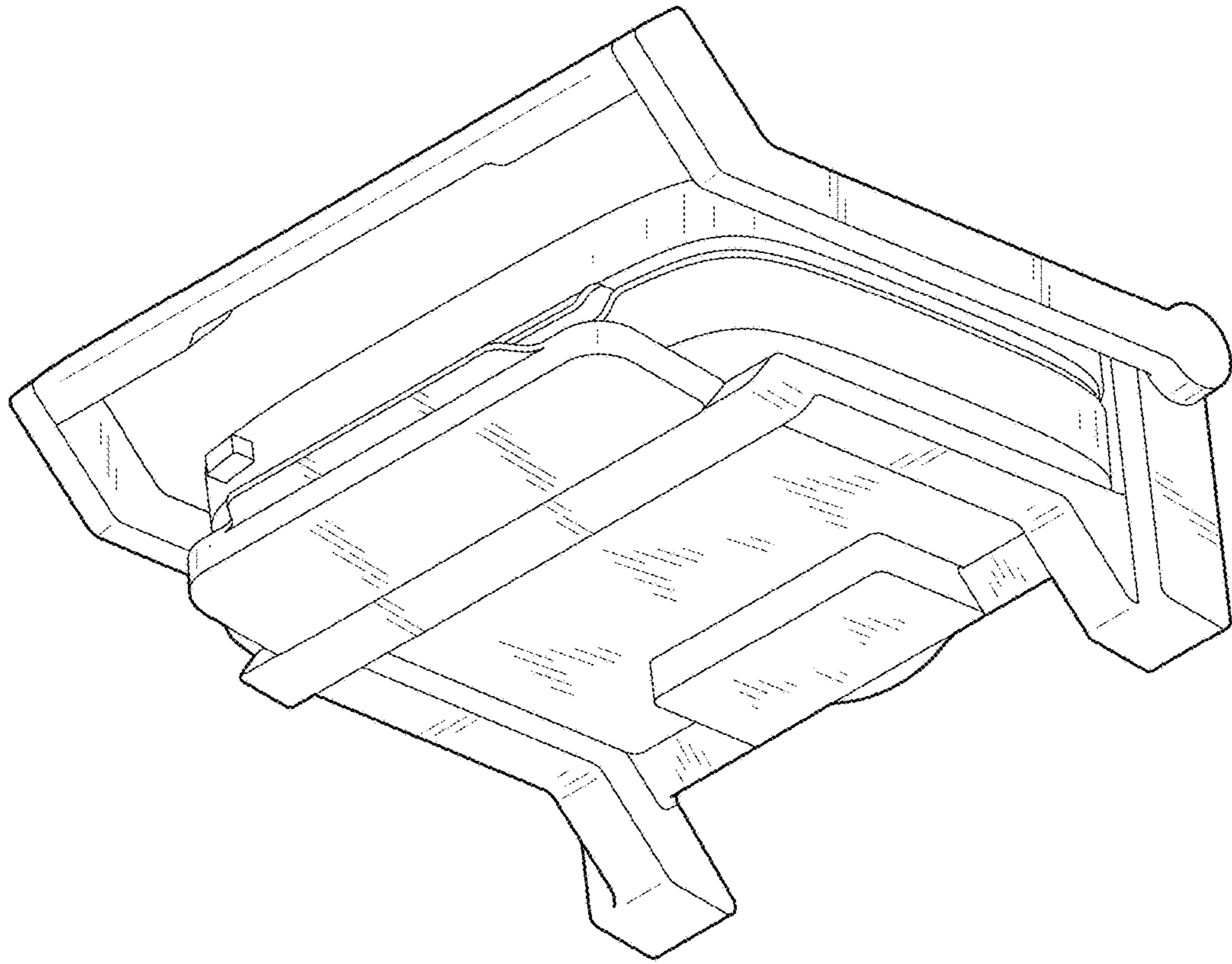


Fig. 9

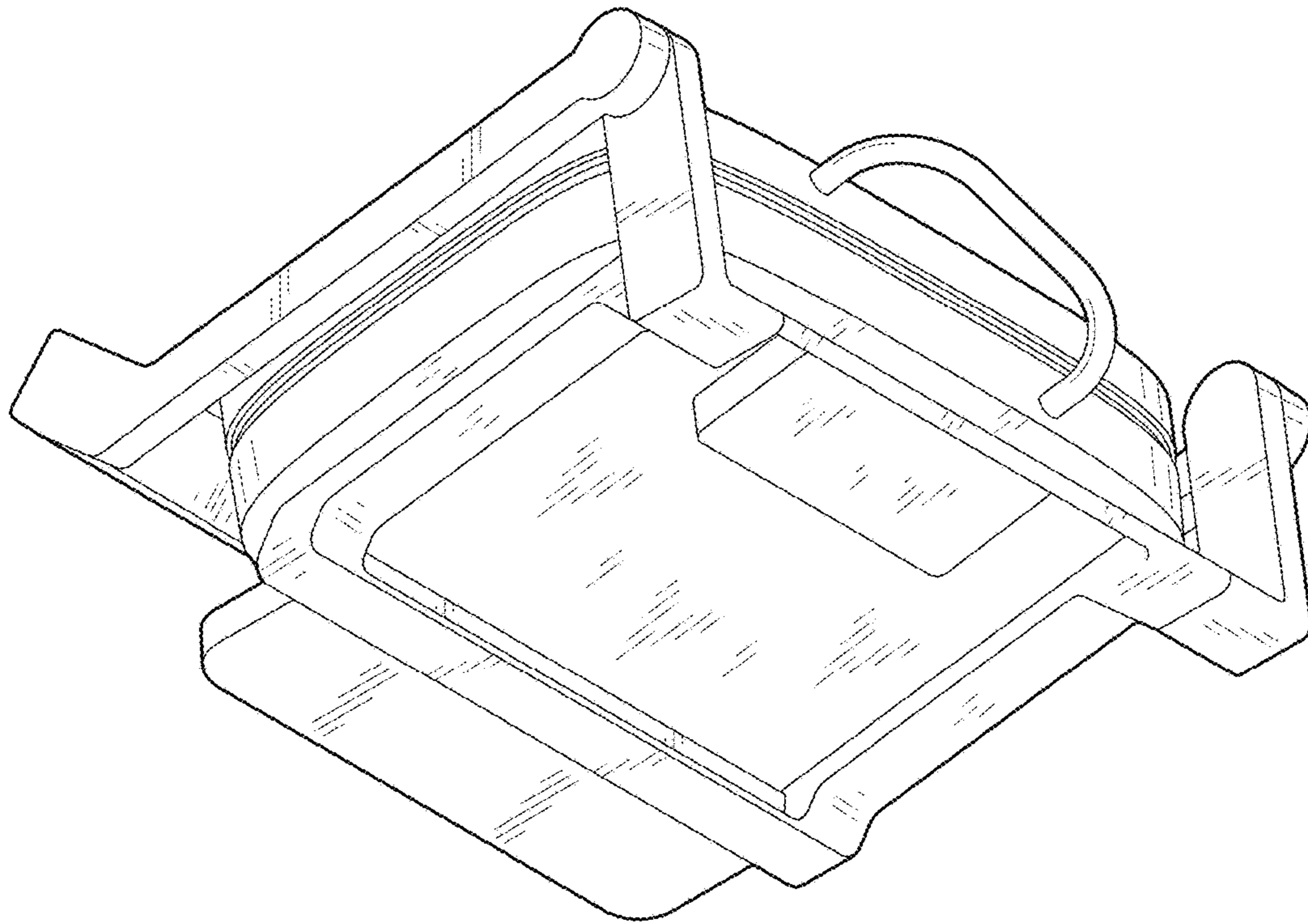


Fig. 10