



US00D828072S

(12) **United States Design Patent**  
**Hagstrom**

(10) **Patent No.:** **US D828,072 S**  
(45) **Date of Patent:** **\*\* Sep. 11, 2018**

(54) **PORTABLE STOVE**

**DESCRIPTION**

(71) Applicant: **Fenix Outdoor Development and CSR AG, Zug (CH)**

(72) Inventor: **Magnus Fredrik Hagstrom, Johanneshov (SE)**

(73) Assignee: **FENIX OUTDOOR DEVELOPMENT AND CSR AG, Zug (CH)**

(\*\*) Term: **15 Years**

(21) Appl. No.: **29/546,512**

(22) Filed: **Nov. 23, 2015**

(30) **Foreign Application Priority Data**

May 21, 2015 (EM) ..... 002705293

(51) **LOC (11) Cl.** ..... **07-02**

(52) **U.S. Cl.**  
USPC ..... **D7/337**

(58) **Field of Classification Search**  
USPC ..... D7/332-337, 402-411; 126/152 R, 25 R  
(Continued)

(56) **References Cited**

**U.S. PATENT DOCUMENTS**

3,521,669 A \* 7/1970 Suchowolec ..... F24C 3/14  
137/505.43

D226,872 S \* 5/1973 Benson ..... D7/337  
(Continued)

*Primary Examiner* — Susan B Hattan

*Assistant Examiner* — Brett Miller

(74) *Attorney, Agent, or Firm* — Jeffer Mangels; Butler & Mitchell LLP; Brennan C. Swain, Esq.

(57) **CLAIM**

The ornamental design for a portable stove, as shown and described.

FIG. 1 is a perspective view of a first embodiment of the present invention in the closed position;  
FIG. 2 is a bottom plan view of the first embodiment of the present invention in the closed position;  
FIG. 3 is a rear elevational view of the first embodiment of the present invention in the closed position;  
FIG. 4 is a top plan view of the first embodiment of the present invention in the closed position;  
FIG. 5 is a right side elevational view of the first embodiment of the present invention in the closed position;  
FIG. 6 is a left side elevational view of the first embodiment of the present invention in the closed position;  
FIG. 7 is a front elevational view of the first embodiment of the present invention in the closed position;  
FIG. 8 is a perspective view of the first embodiment of the present invention in the open position;  
FIG. 9 is a rear elevational view of the first embodiment of the present invention in the open position;  
FIG. 10 is a bottom plan view of the first embodiment of the present invention in the open position;  
FIG. 11 is a front elevational view of the first embodiment of the present invention in the open position;  
FIG. 12 is a right side elevational view of the first embodiment of the present invention in the open position;  
FIG. 13 is a left side elevational view of the first embodiment of the present invention in the open position;  
FIG. 14 is a top plan view of the first embodiment of the present invention in the open position;  
FIG. 15 is a perspective view of a second embodiment of the present invention in the closed position;  
FIG. 16 is a bottom plan view of the second embodiment of the present invention in the closed position;  
FIG. 17 is a rear elevational view of the second embodiment of the present invention in the closed position;  
FIG. 18 is a top plan view of the second embodiment of the present invention in the closed position;  
FIG. 19 is a right side elevational view of the second embodiment of the present invention in the closed position;  
FIG. 20 is a left side elevational view of the second embodiment of the present invention in the closed position;

(Continued)

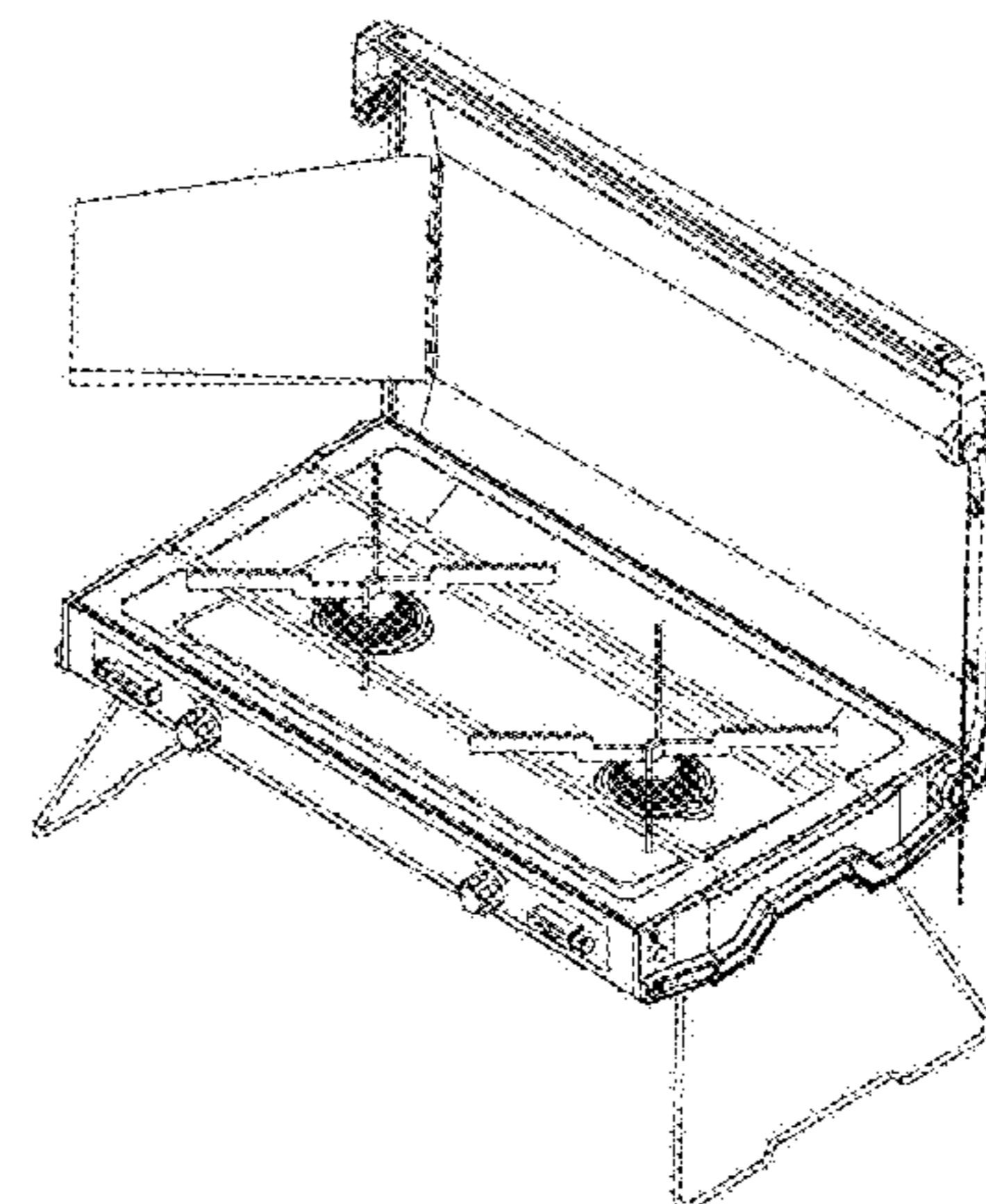
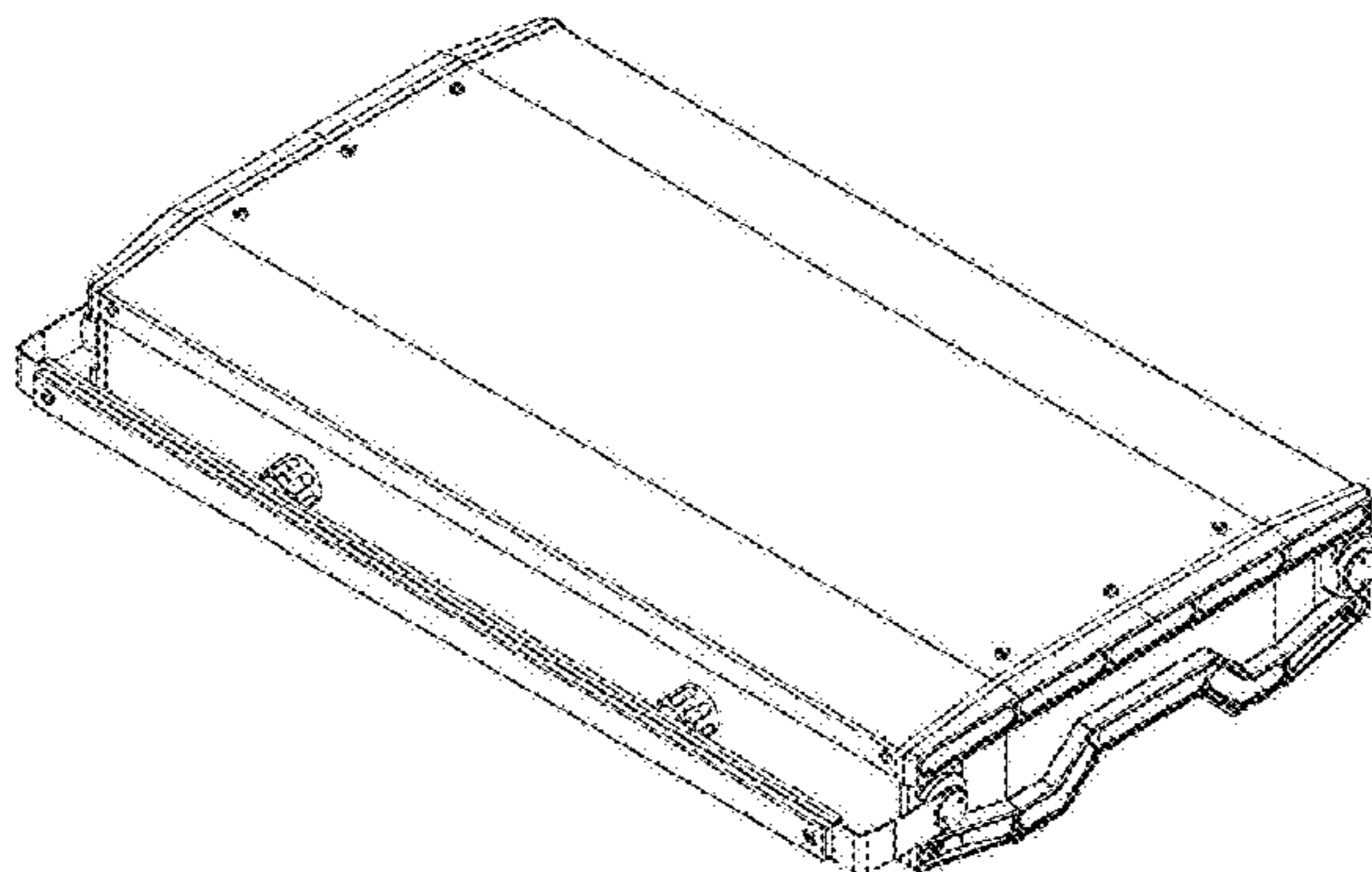


FIG. 21 is a front elevational view of the second embodiment of the present invention in the closed position;  
 FIG. 22 is a perspective view of the second embodiment of the present invention in the open position;  
 FIG. 23 is a rear elevational view of the second embodiment of the present invention in the open position;  
 FIG. 24 is a bottom plan view of the second embodiment of the present invention in the open position;  
 FIG. 25 is a front elevational view of the second embodiment of the present invention in the open position;  
 FIG. 26 is a left side elevational view of the second embodiment of the present invention in the open position;  
 FIG. 27 is a right side elevational view of the second embodiment of the present invention in the open position;  
 FIG. 28 is a top plan view of the second embodiment of the present invention in the open position;  
 FIG. 29 is a perspective view of a third embodiment of the present invention in the closed position;  
 FIG. 30 is a bottom plan view of the third embodiment of the present invention in the closed position;  
 FIG. 31 is a rear elevational view of the third embodiment of the present invention in the closed position;  
 FIG. 32 is a top plan view of the third embodiment of the present invention in the closed position;  
 FIG. 33 is a right side elevational view of the third embodiment of the present invention in the closed position;  
 FIG. 34 is a left side elevational view of the third embodiment of the present invention in the closed position;  
 FIG. 35 is a front elevational view of the third embodiment of the present invention in the closed position;  
 FIG. 36 is a perspective view of the third embodiment of the present invention in the open position;  
 FIG. 37 is a rear elevational view of the third embodiment of the present invention in the open position;  
 FIG. 38 is a bottom plan view of the third embodiment of the present invention in the open position;  
 FIG. 39 is a front elevational view of the third embodiment of the present invention in the open position;  
 FIG. 40 is a left side elevational view of the third embodiment of the present invention in the open position;  
 FIG. 41 is a right side elevational view of the third embodiment of the present invention in the open position;  
 FIG. 42 is a top plan view of the third embodiment of the present invention in the open position;  
 FIG. 43 is a perspective view of a fourth embodiment of the present invention in the closed position;  
 FIG. 44 is a bottom plan view of the fourth embodiment of the present invention in the closed position;  
 FIG. 45 is a rear elevational view of the fourth embodiment of the present invention in the closed position;  
 FIG. 46 is a top plan view of the fourth embodiment of the present invention in the closed position;  
 FIG. 47 is a right side elevational view of the fourth embodiment of the present invention in the closed position;

FIG. 48 is a left side elevational view of the fourth embodiment of the present invention in the closed position;  
 FIG. 49 is a front elevational view of the fourth embodiment of the present invention in the closed position;  
 FIG. 50 is a perspective view of the fourth embodiment of the present invention in the open position;  
 FIG. 51 is a rear elevational view of the fourth embodiment of the present invention in the open position;  
 FIG. 52 is a bottom plan view of the fourth embodiment of the present invention in the open position;  
 FIG. 53 is a front elevational view of the fourth embodiment of the present invention in the open position;  
 FIG. 54 is a left side elevational view of the fourth embodiment of the present invention in the open position;  
 FIG. 55 is a right side elevational view of the fourth embodiment of the present invention in the open position;  
 and,  
 FIG. 56 is a top plan view of the fourth embodiment of the present invention in the open position.

The broken lines depict portions of the portable stove which form no part of the claim. Broken lines that abut claimed surfaces act as boundaries of the claim.

**1 Claim, 56 Drawing Sheets**

(58) **Field of Classification Search**

CPC .. A47J 37/067; A47J 37/0694; A47J 37/0786;  
 A47J 37/0704; A47J 37/0713; A47J  
 37/0781; A47J 37/0777; A47J 37/0763;  
 A47J 37/0611; A47J 37/0709; A47J  
 37/0676; F24C 15/16

See application file for complete search history.

(56) **References Cited**

U.S. PATENT DOCUMENTS

|              |    |   |         |                  |                         |
|--------------|----|---|---------|------------------|-------------------------|
| D231,183     | S  | * | 4/1974  | Avant .....      | D7/337                  |
| 3,890,952    | A  | * | 6/1975  | Hamre .....      | F24C 5/20<br>126/38     |
| D245,220     | S  | * | 8/1977  | Chan .....       | D7/337                  |
| D276,303     | S  | * | 11/1984 | Chan .....       | D7/337                  |
| D295,818     | S  | * | 5/1988  | Chan .....       | D7/332                  |
| D406,722     | S  | * | 3/1999  | Benton .....     | D7/337                  |
| D450,976     | S  | * | 11/2001 | Mosher .....     | D7/337                  |
| D462,562     | S  | * | 9/2002  | Wood .....       | D7/332                  |
| D469,298     | S  | * | 1/2003  | Hinton .....     | D7/332                  |
| D576,443     | S  | * | 9/2008  | Chung .....      | D7/337                  |
| D577,534     | S  | * | 9/2008  | Chung .....      | D7/337                  |
| D614,436     | S  | * | 4/2010  | Chung .....      | D7/337                  |
| D677,106     | S  | * | 3/2013  | Horito .....     | D7/337                  |
| D784,064     | S  | * | 4/2017  | Hebert, Jr. .... | D7/337                  |
| 2006/0086351 | A1 | * | 4/2006  | Wilgus .....     | A47J 37/0713<br>126/9 R |

\* cited by examiner

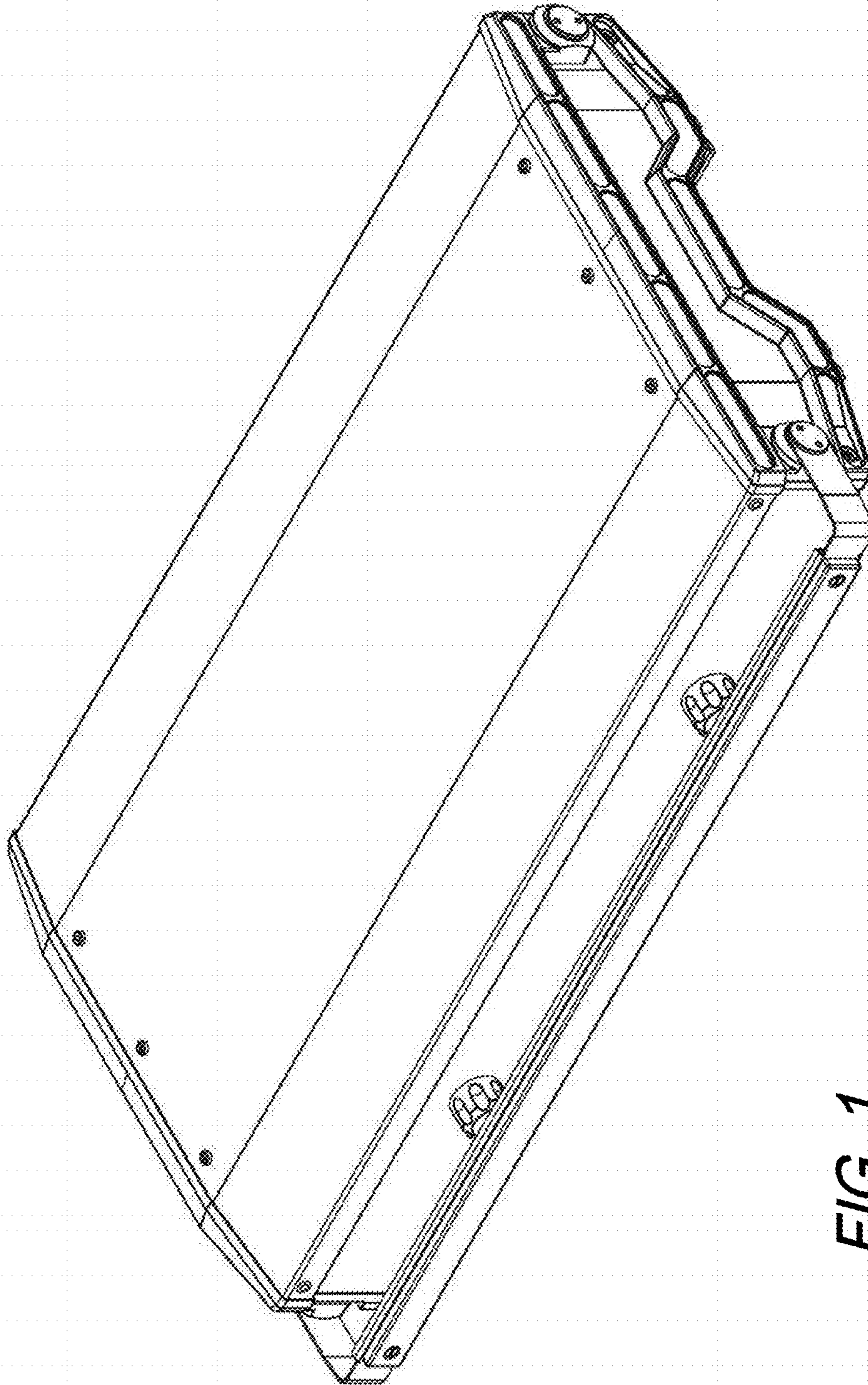


FIG. 1

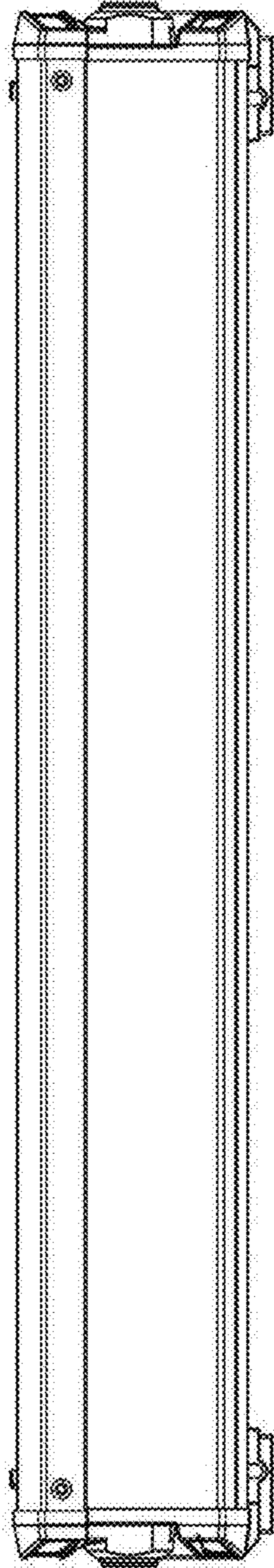


FIG. 2

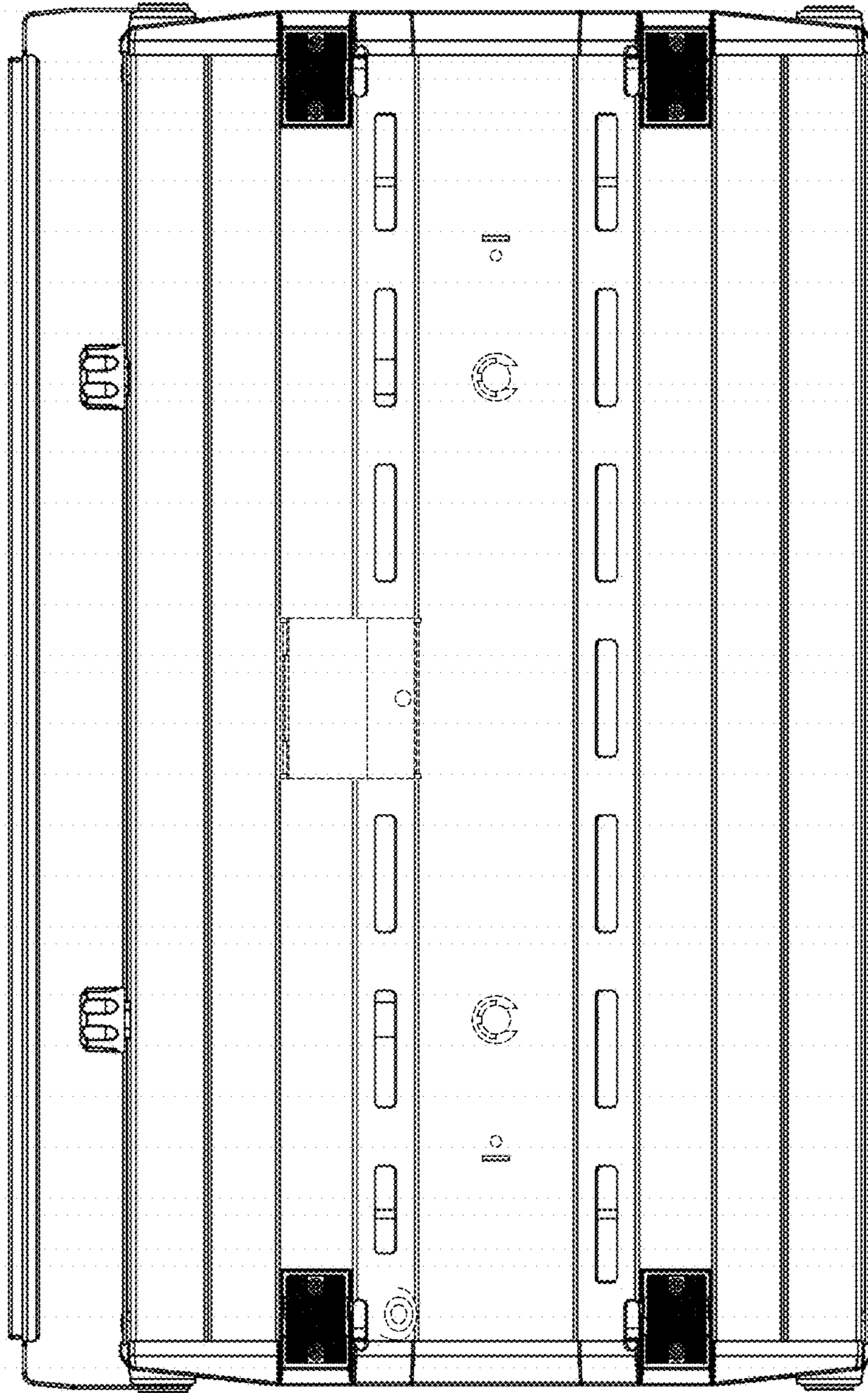


FIG. 3

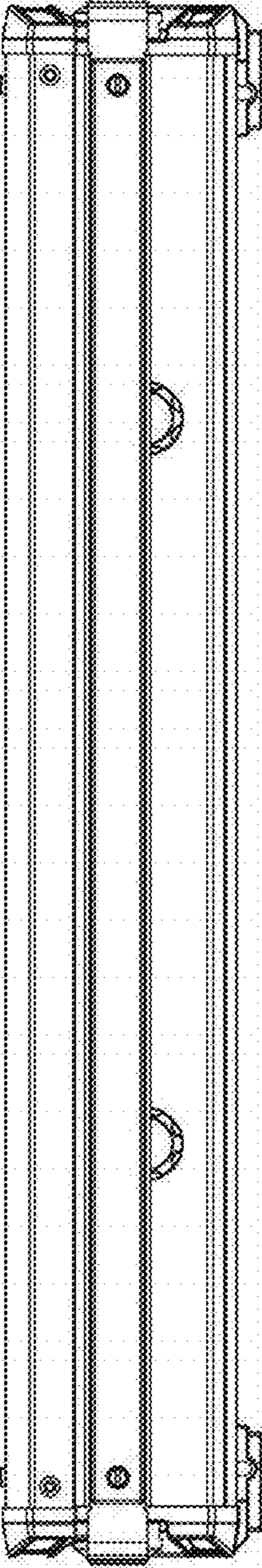


FIG. 4

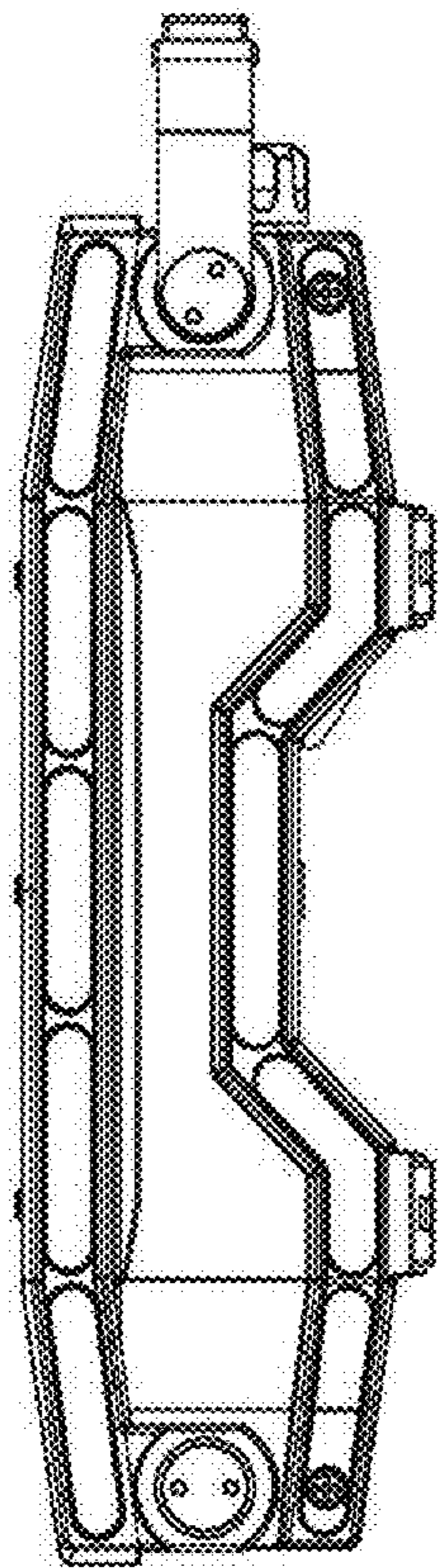


FIG. 5

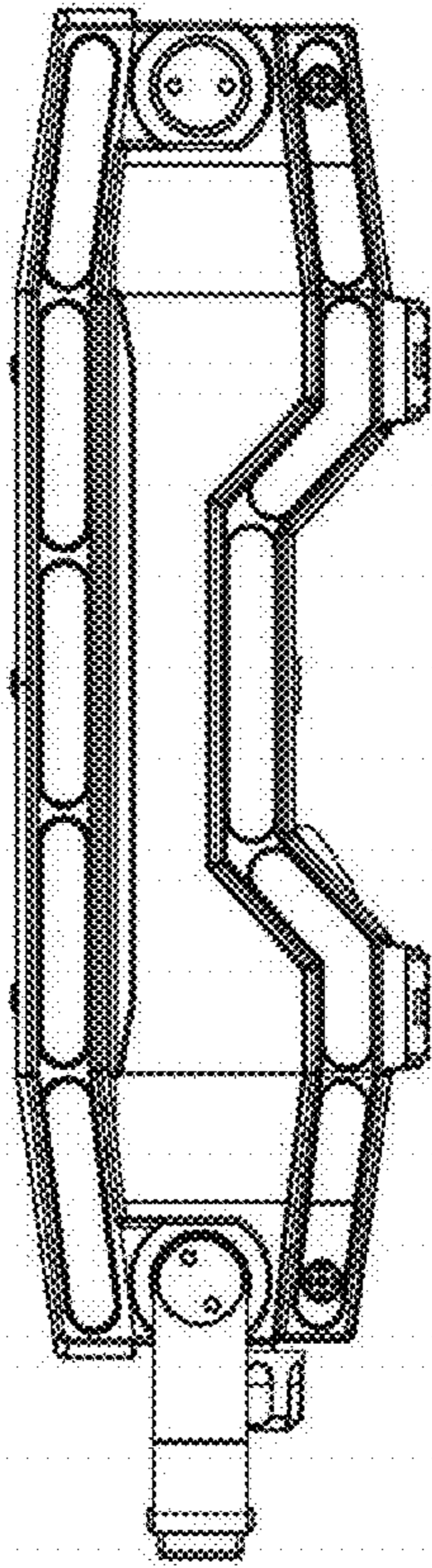


FIG. 6



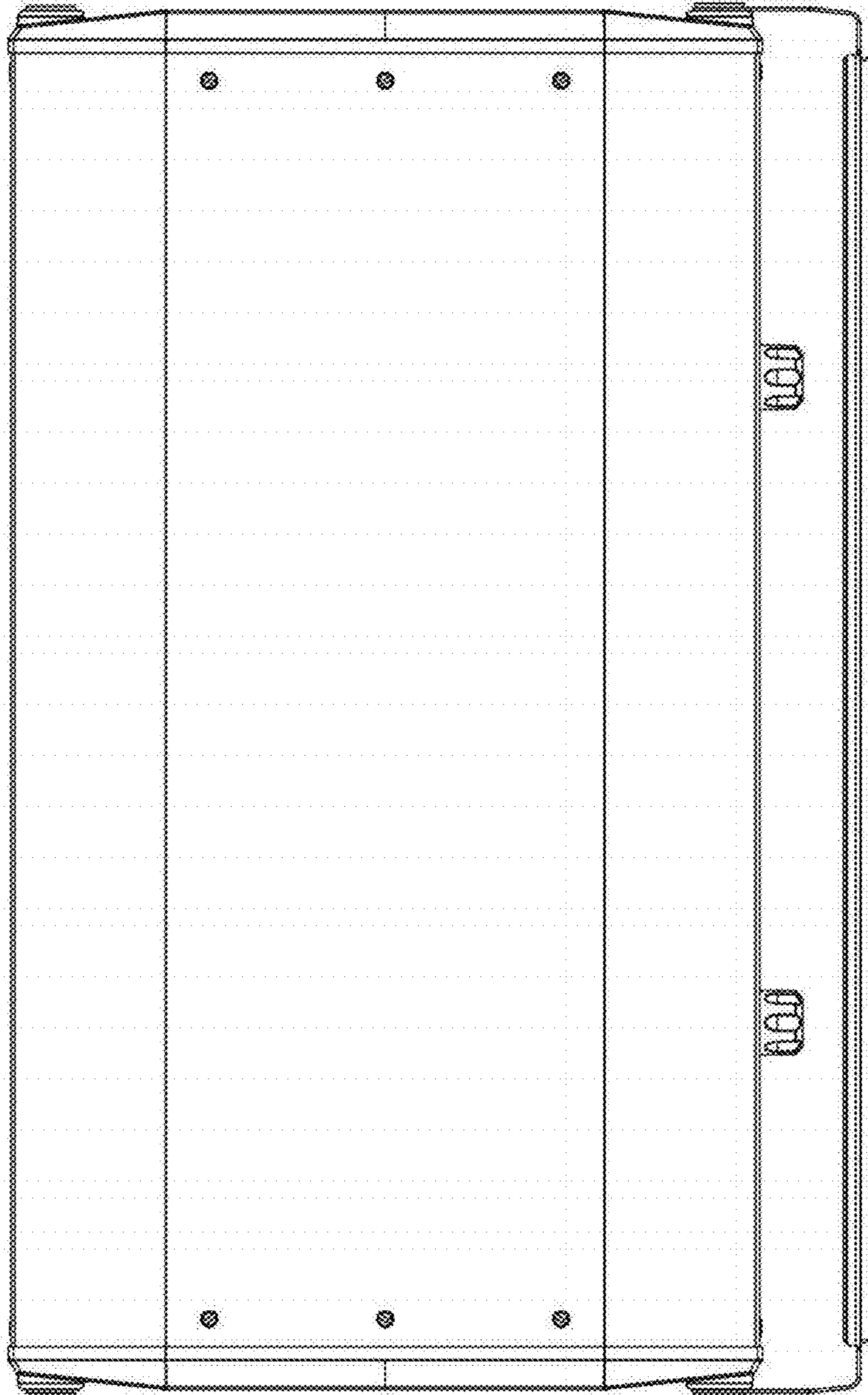


FIG. 7

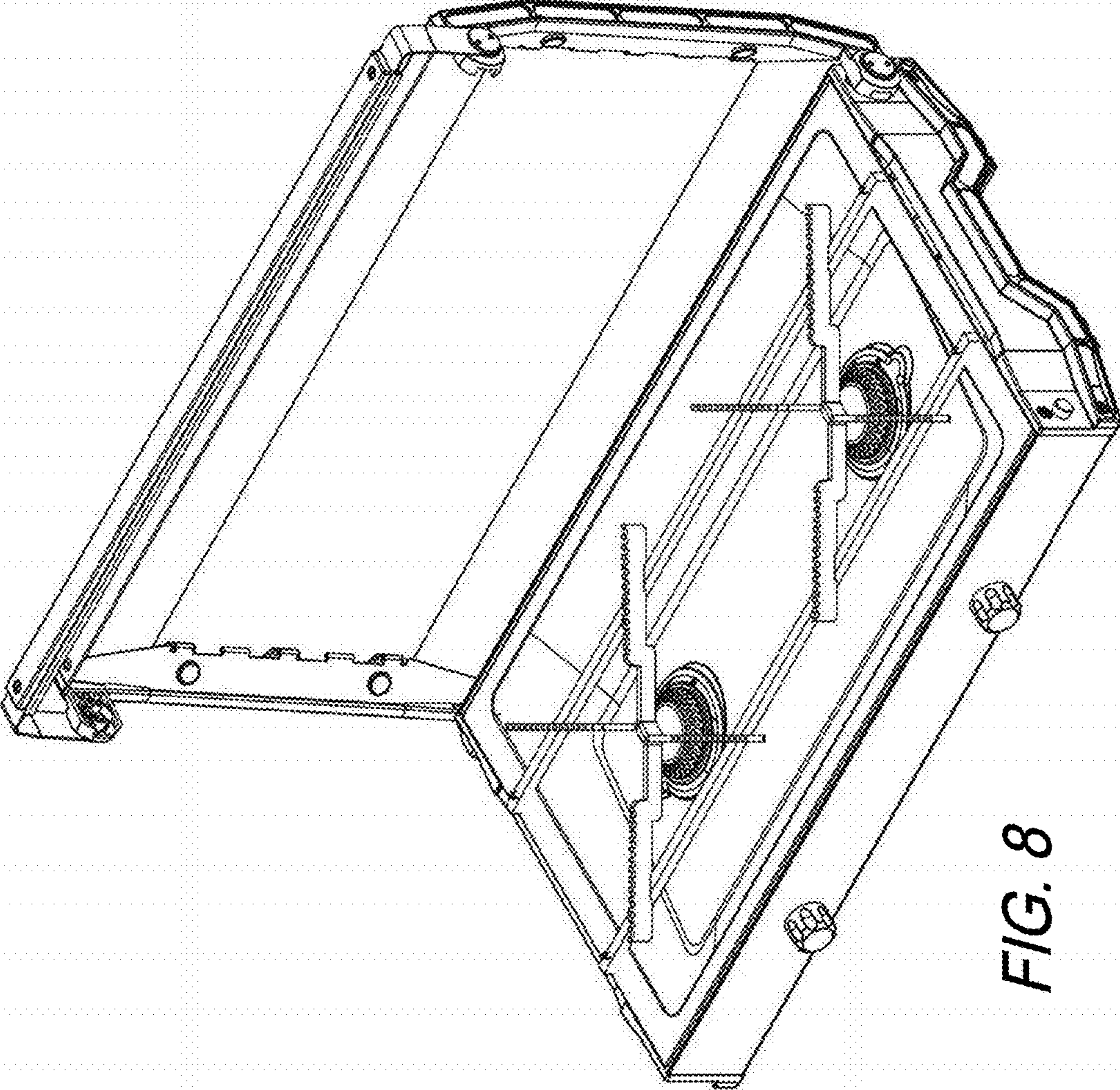


FIG. 8

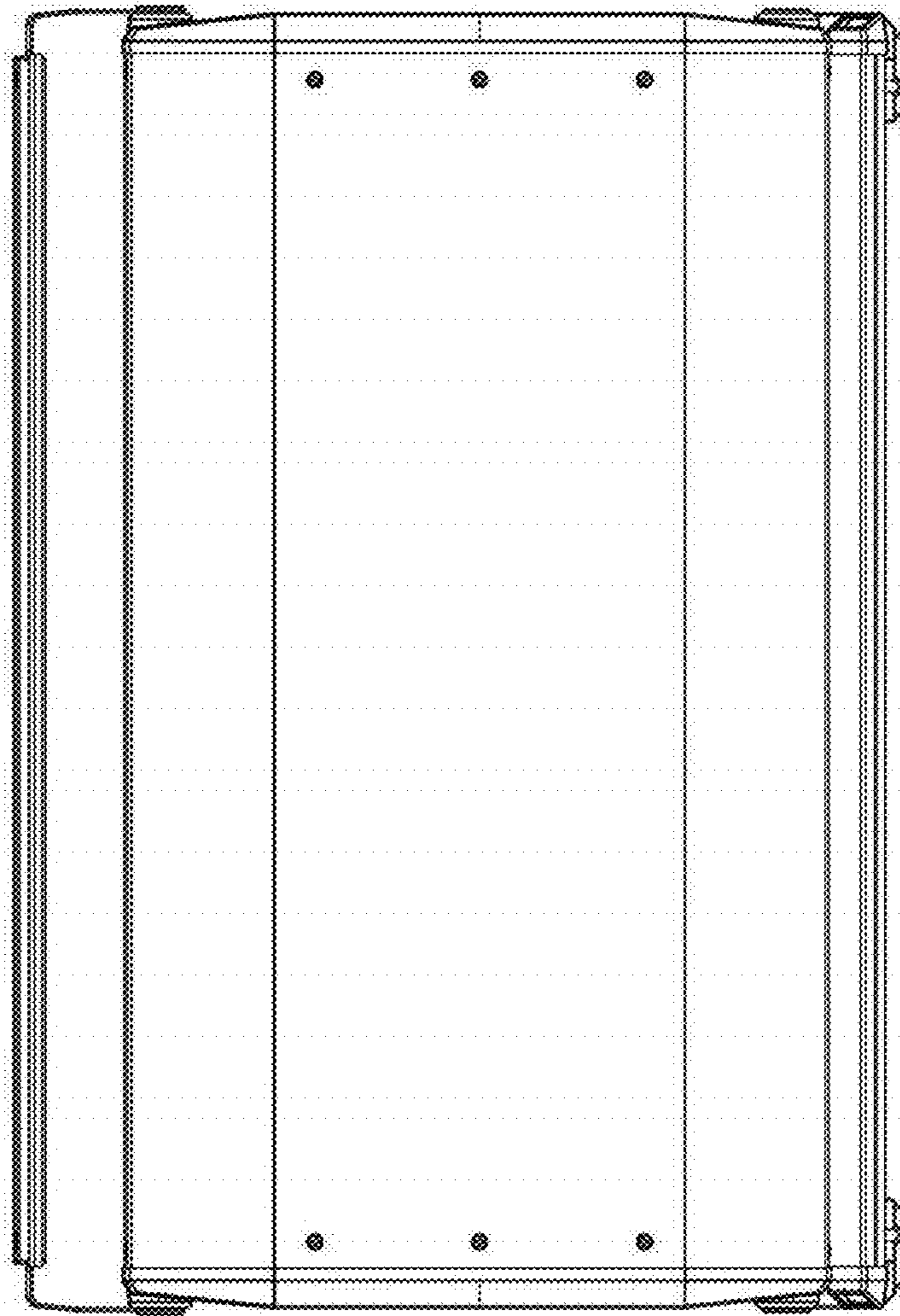


FIG. 9

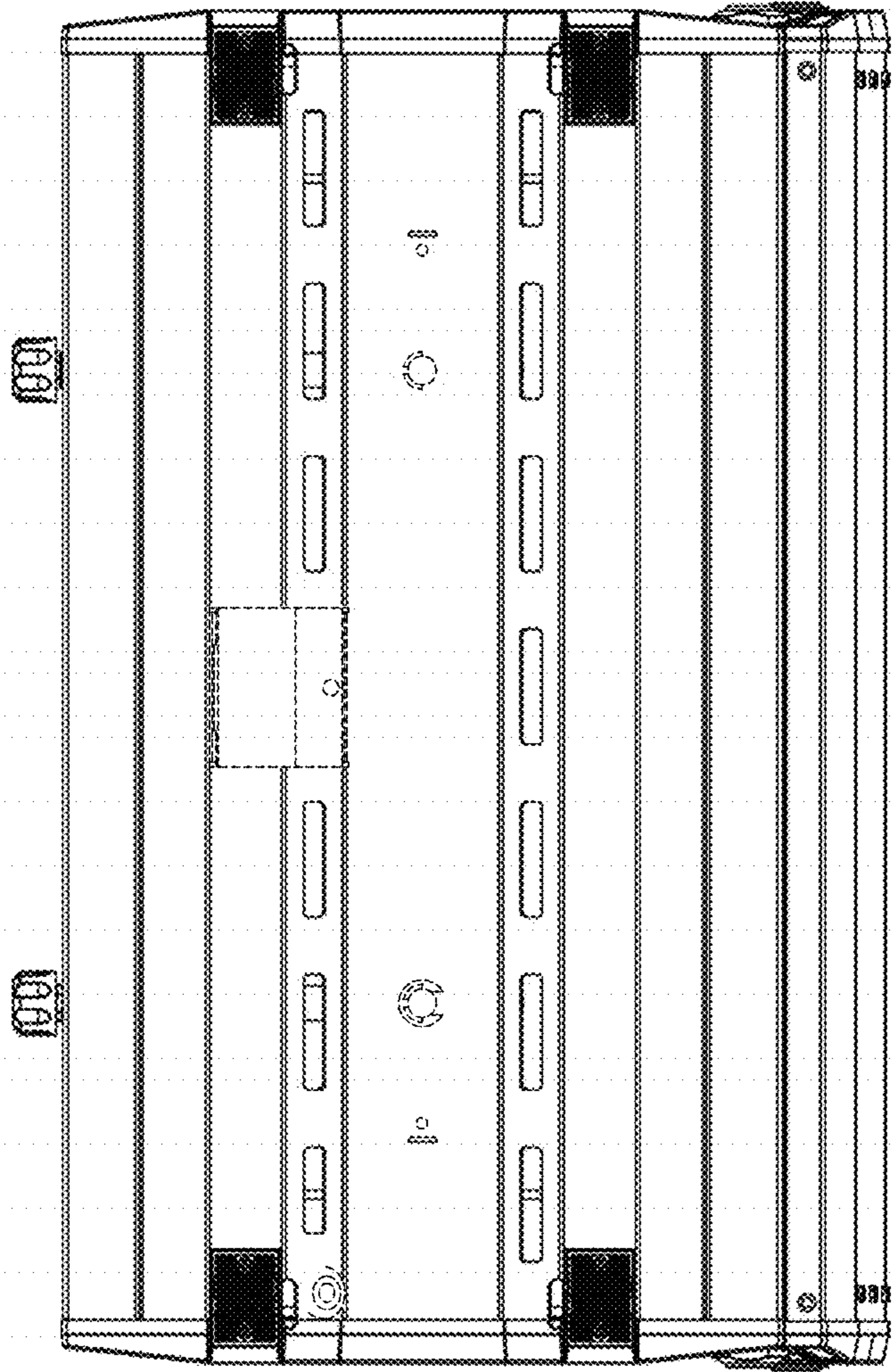


FIG. 10

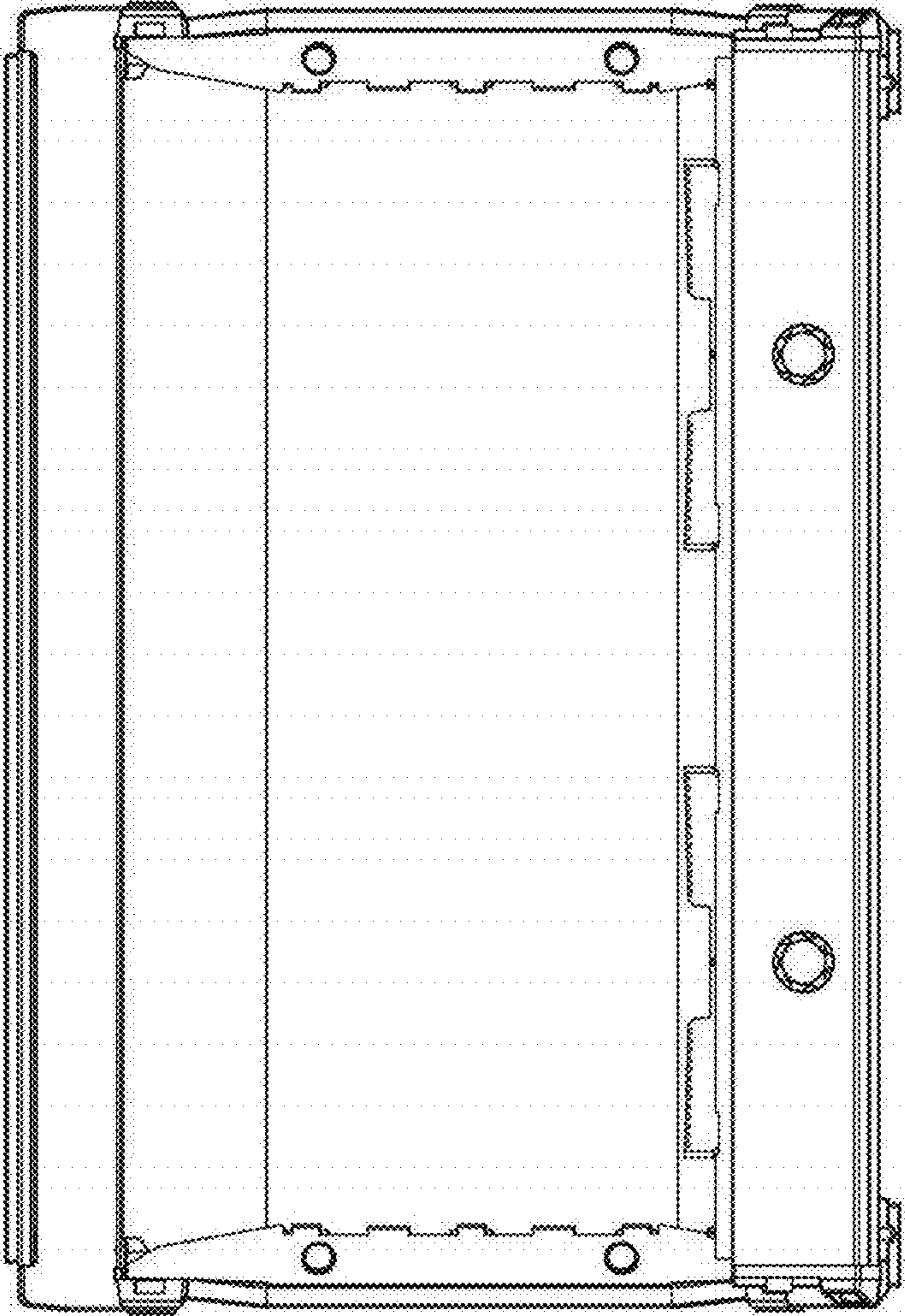


FIG. 11

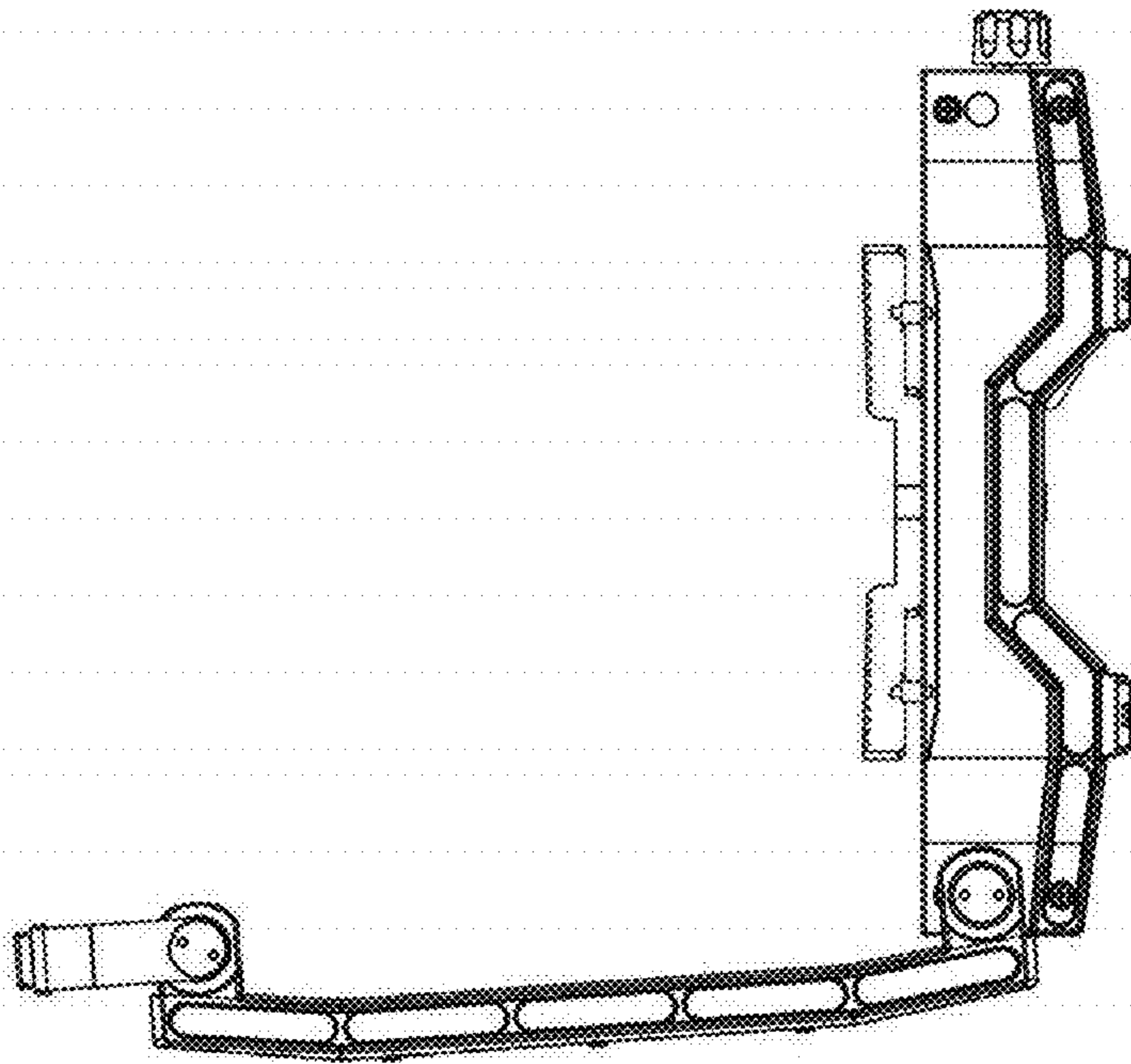


FIG. 12

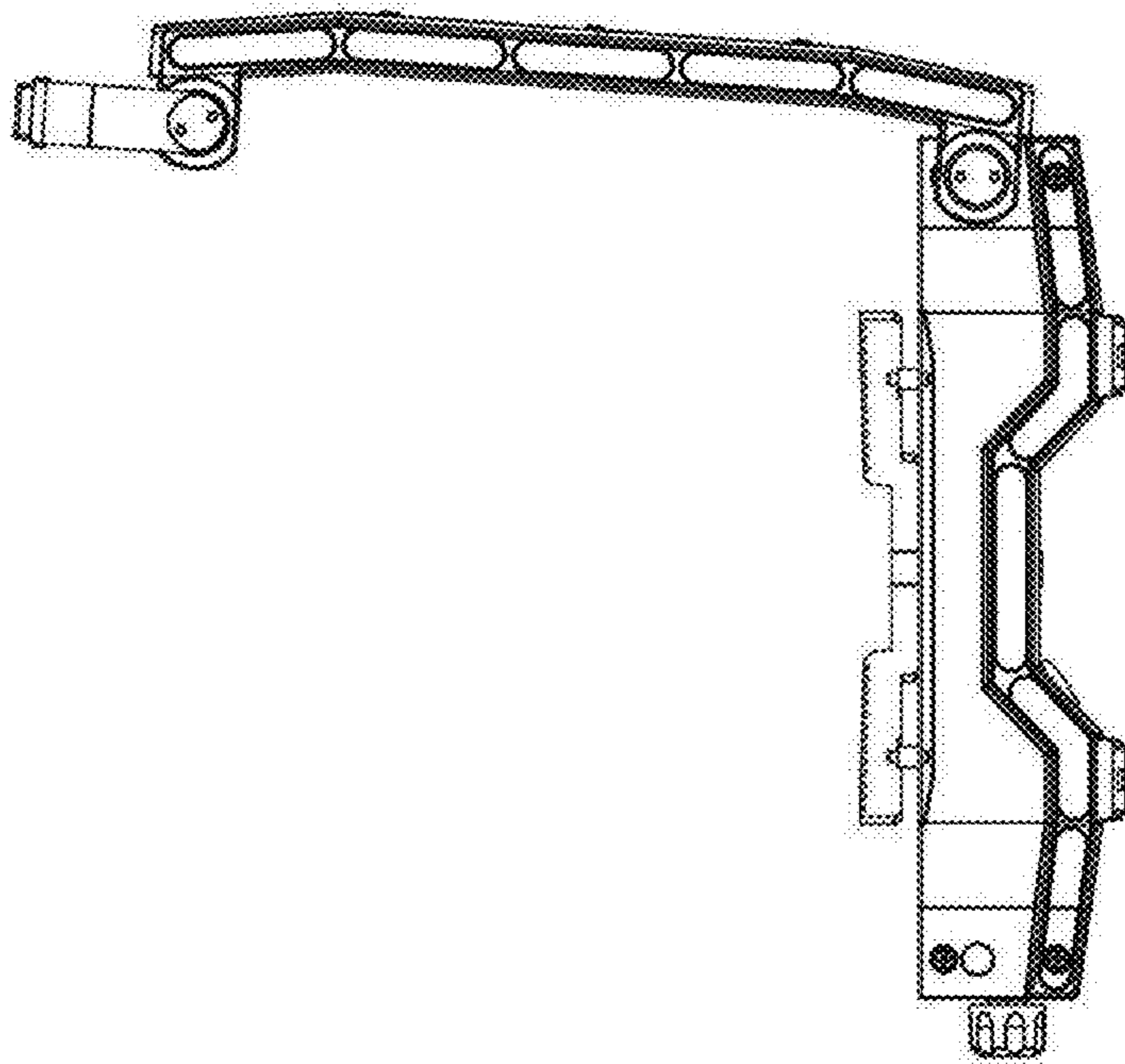


FIG. 13

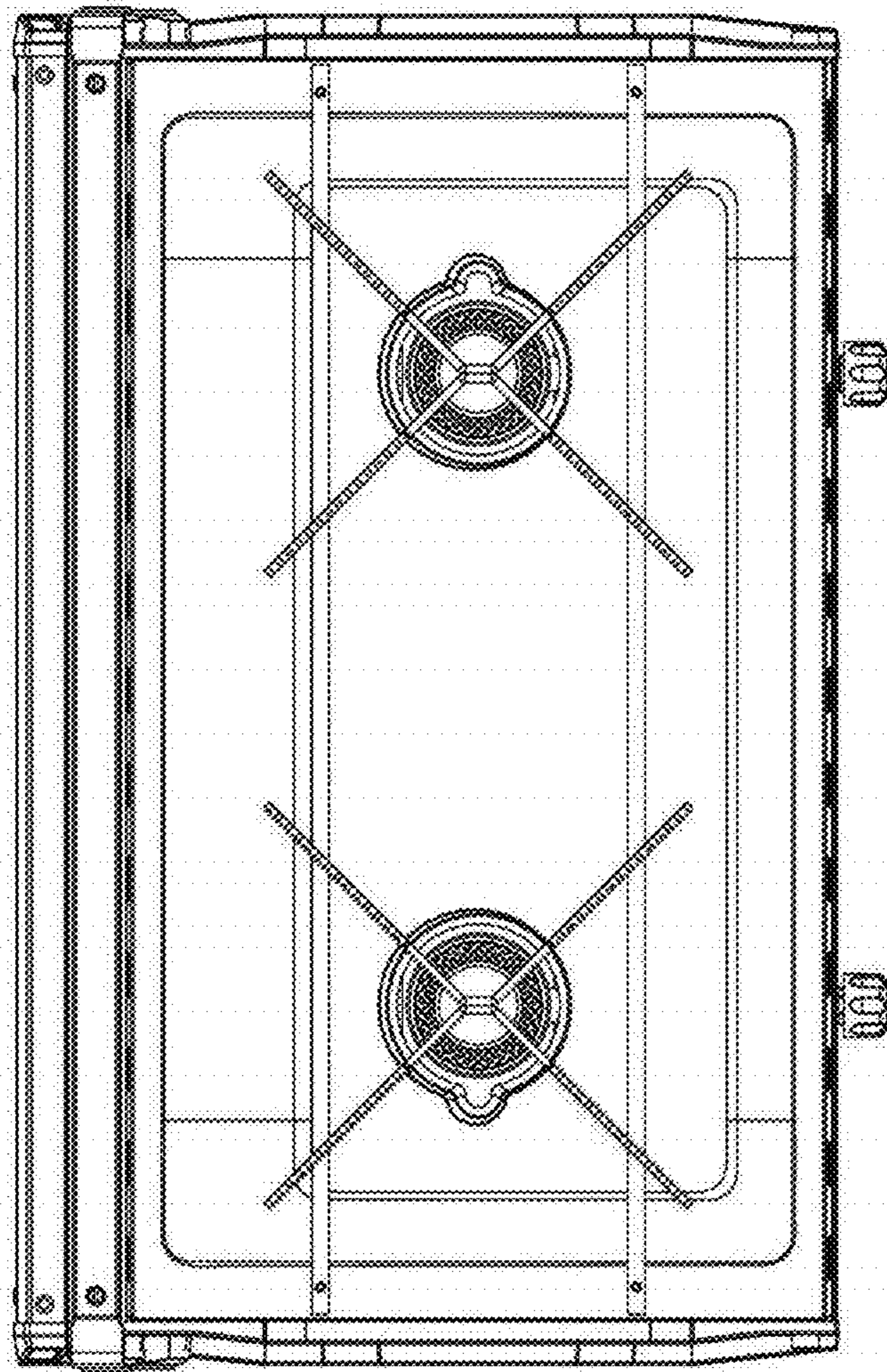


FIG. 14



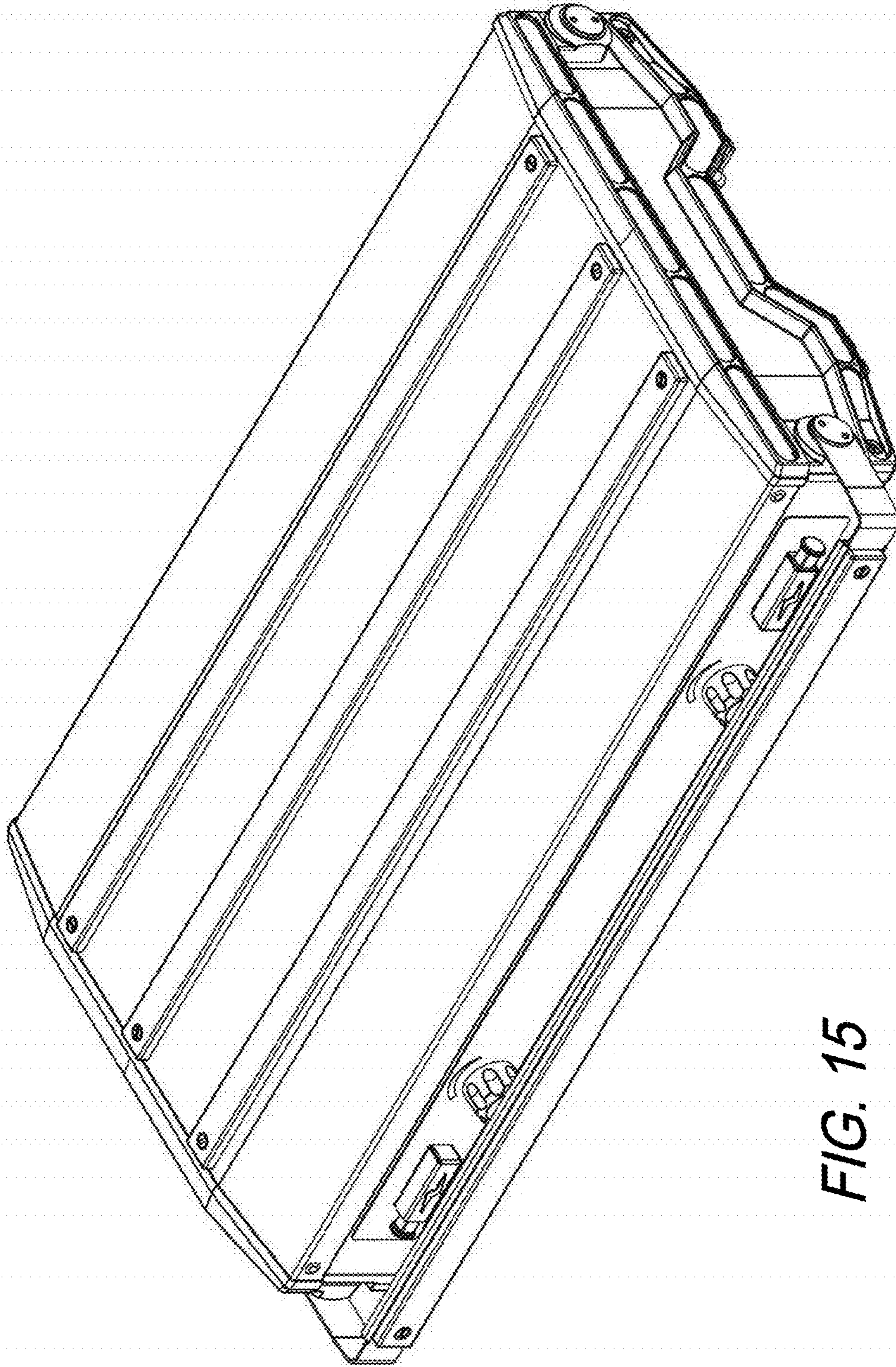
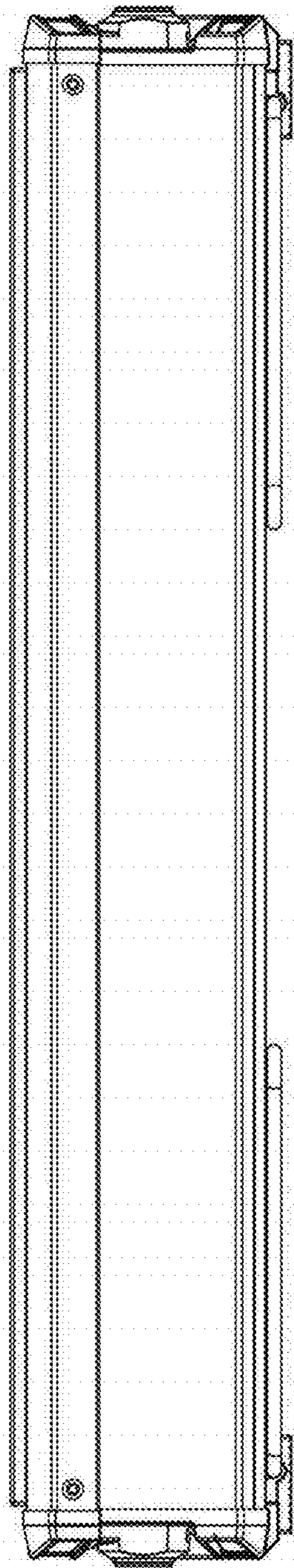


FIG. 15



*FIG. 16*

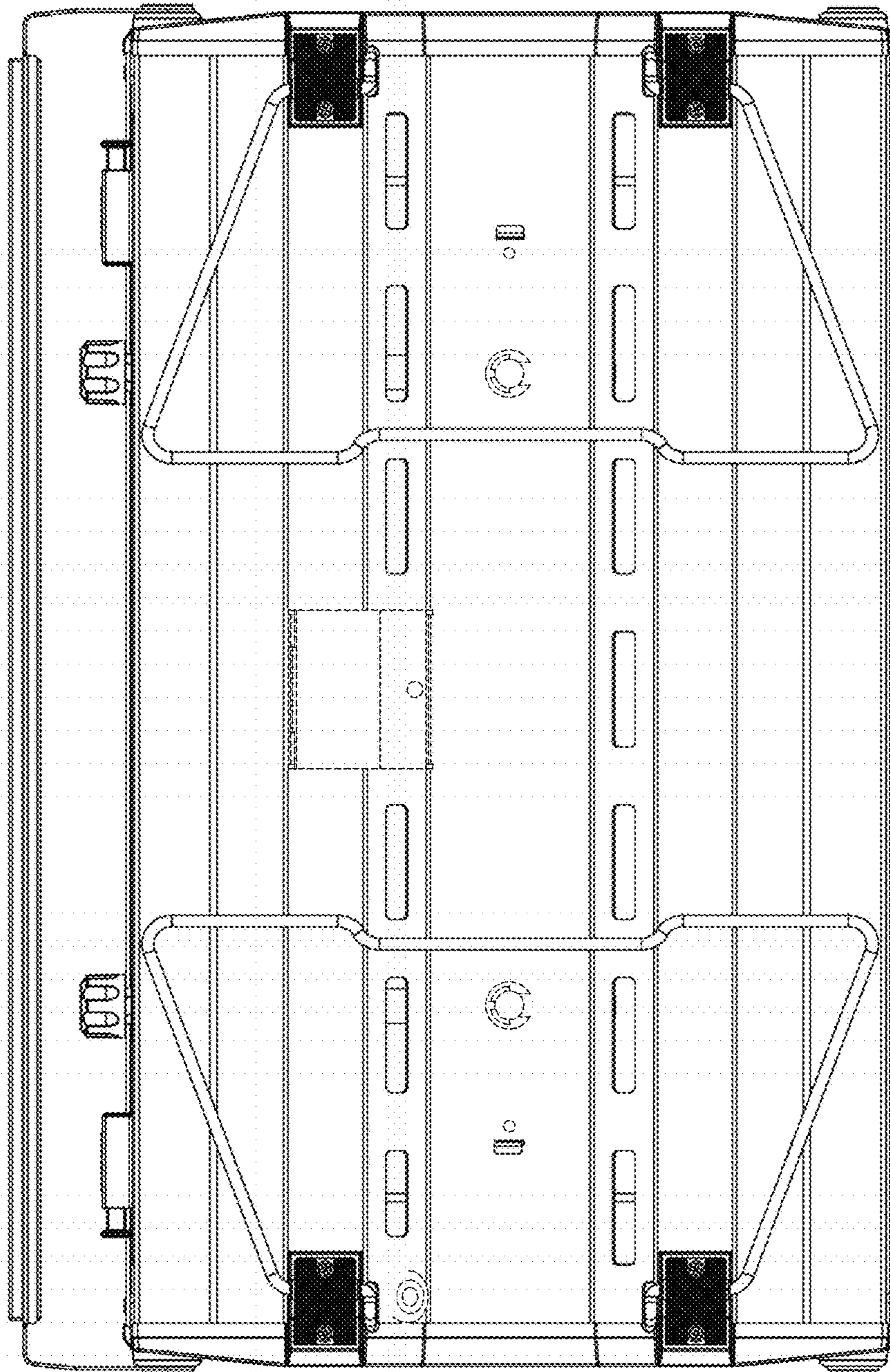


FIG. 17

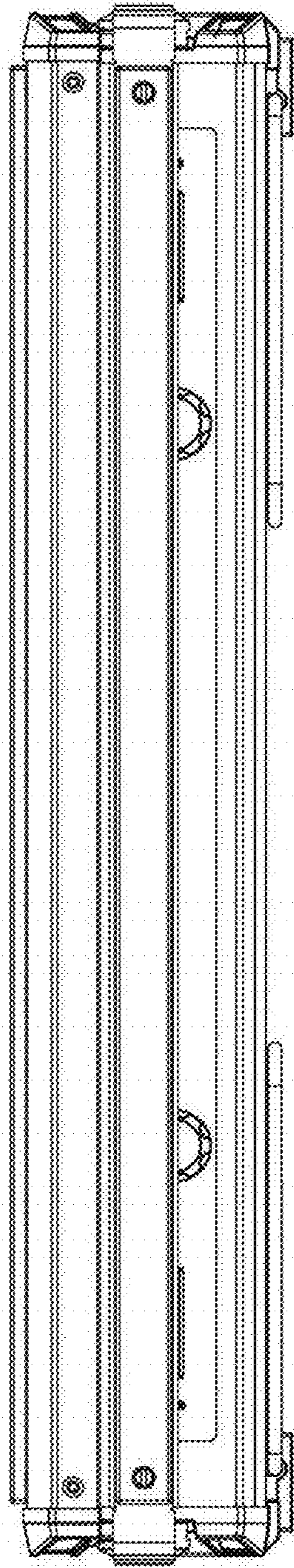
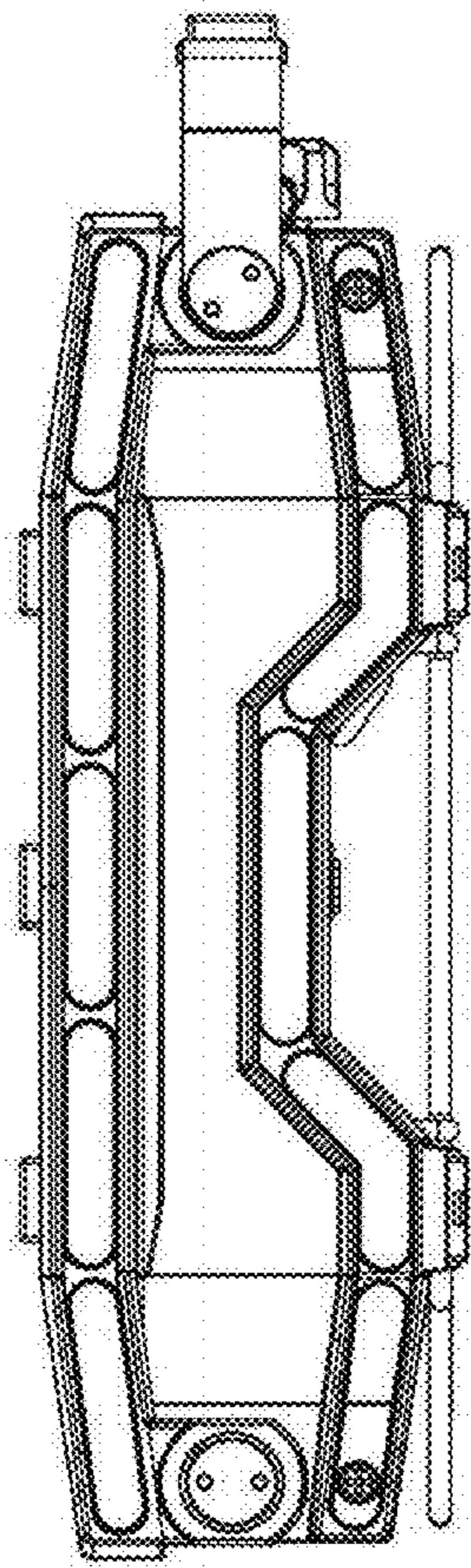


FIG. 18



*FIG. 19*

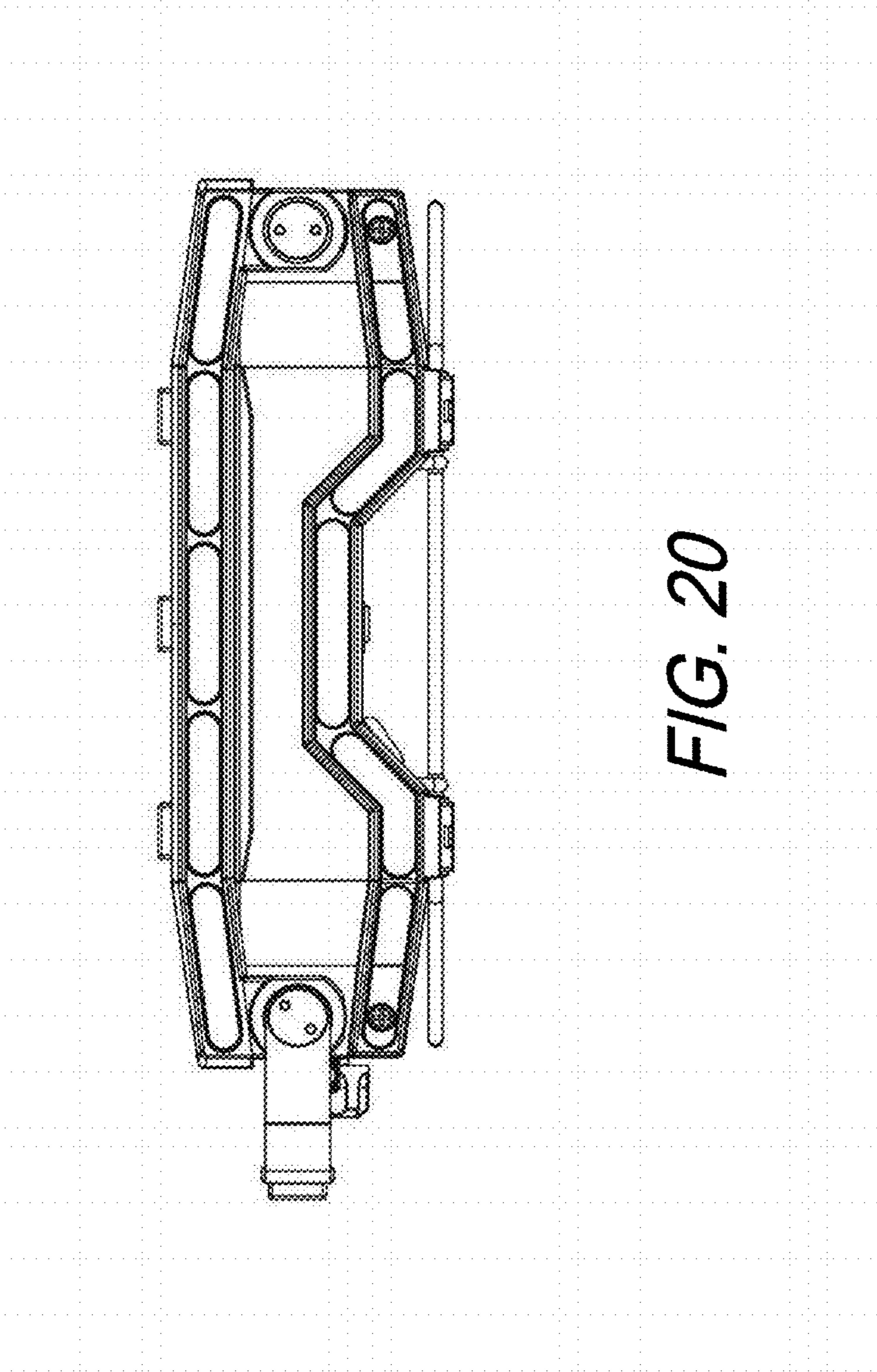


FIG. 20

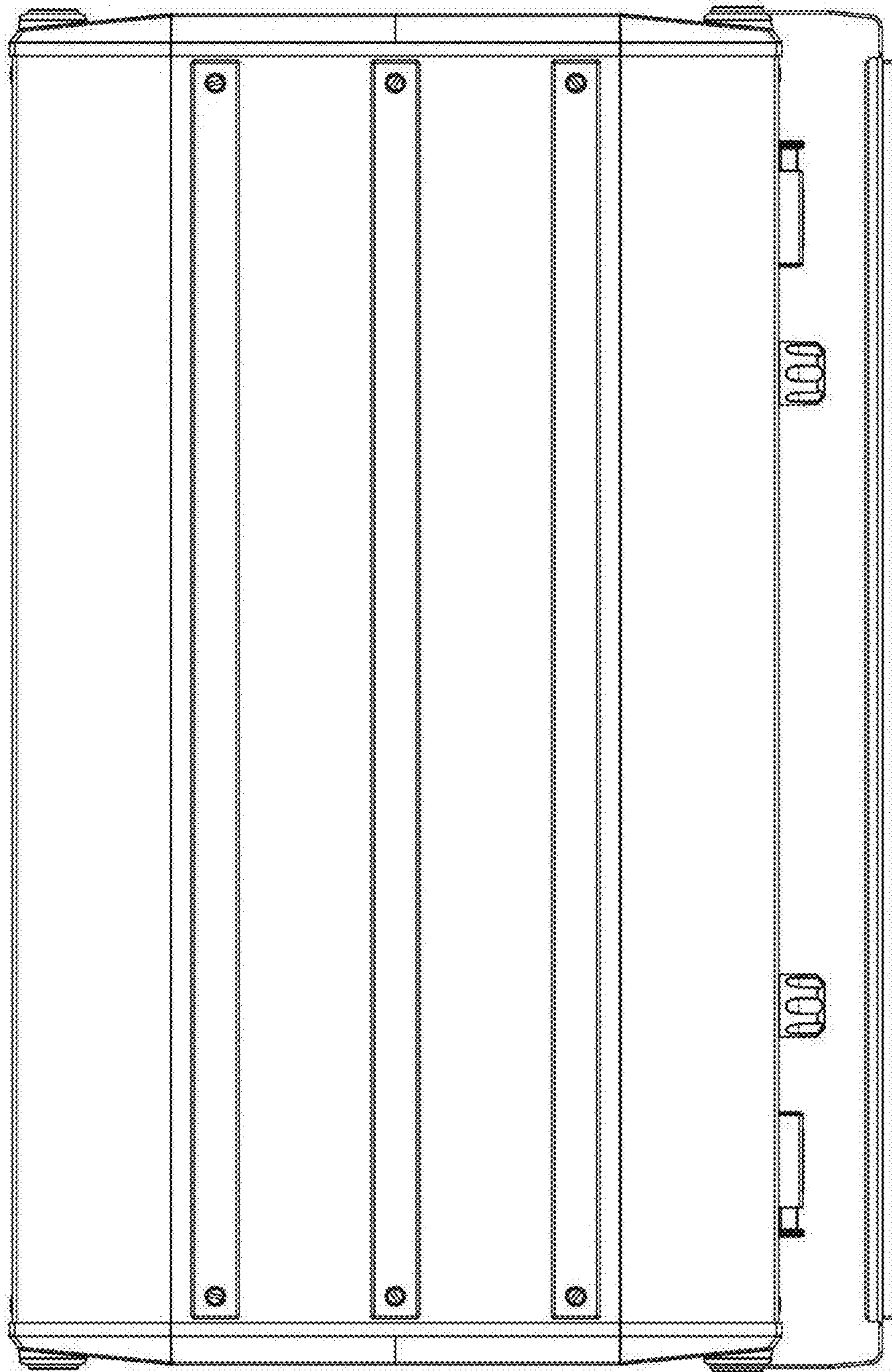


FIG. 21

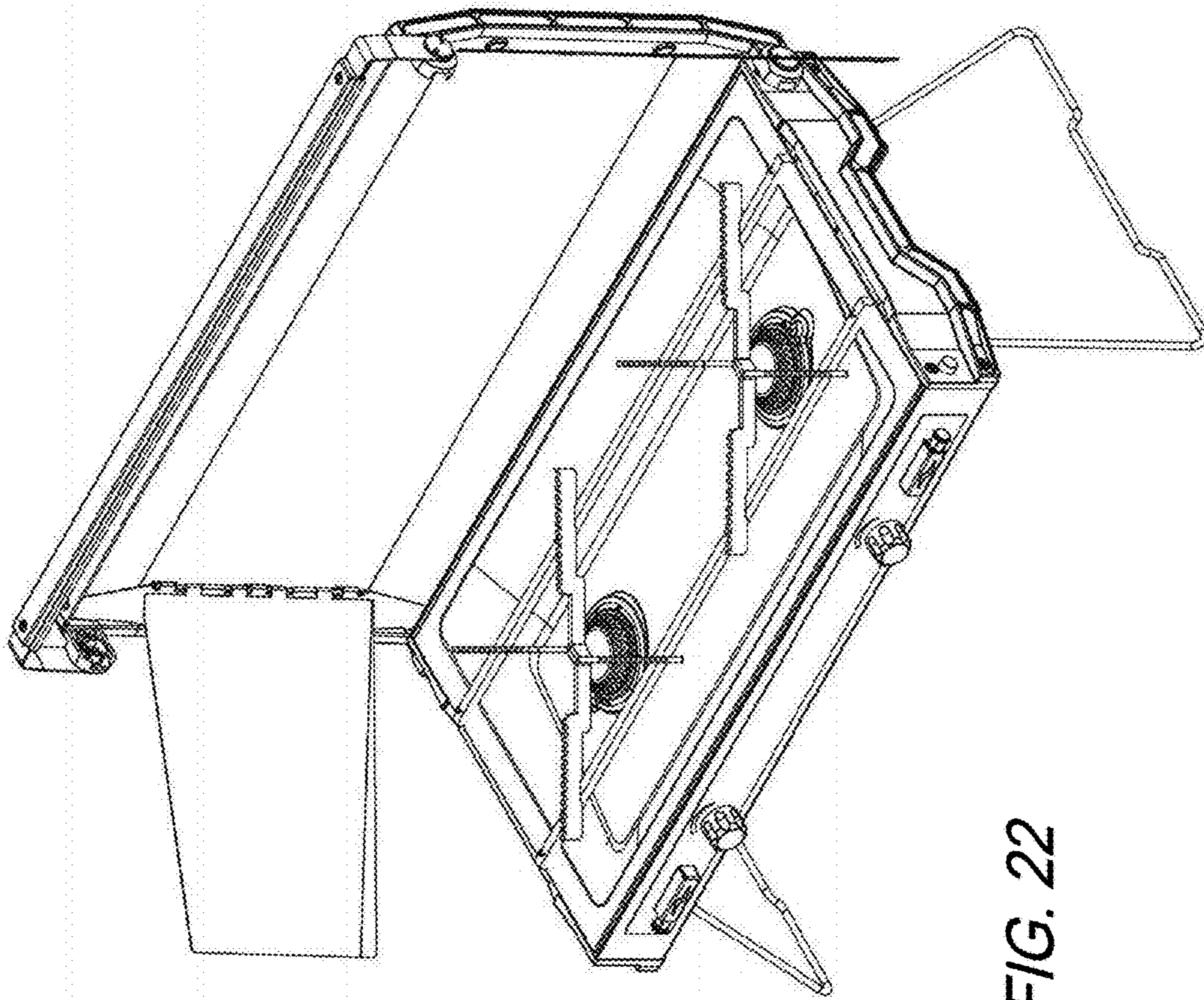


FIG. 22



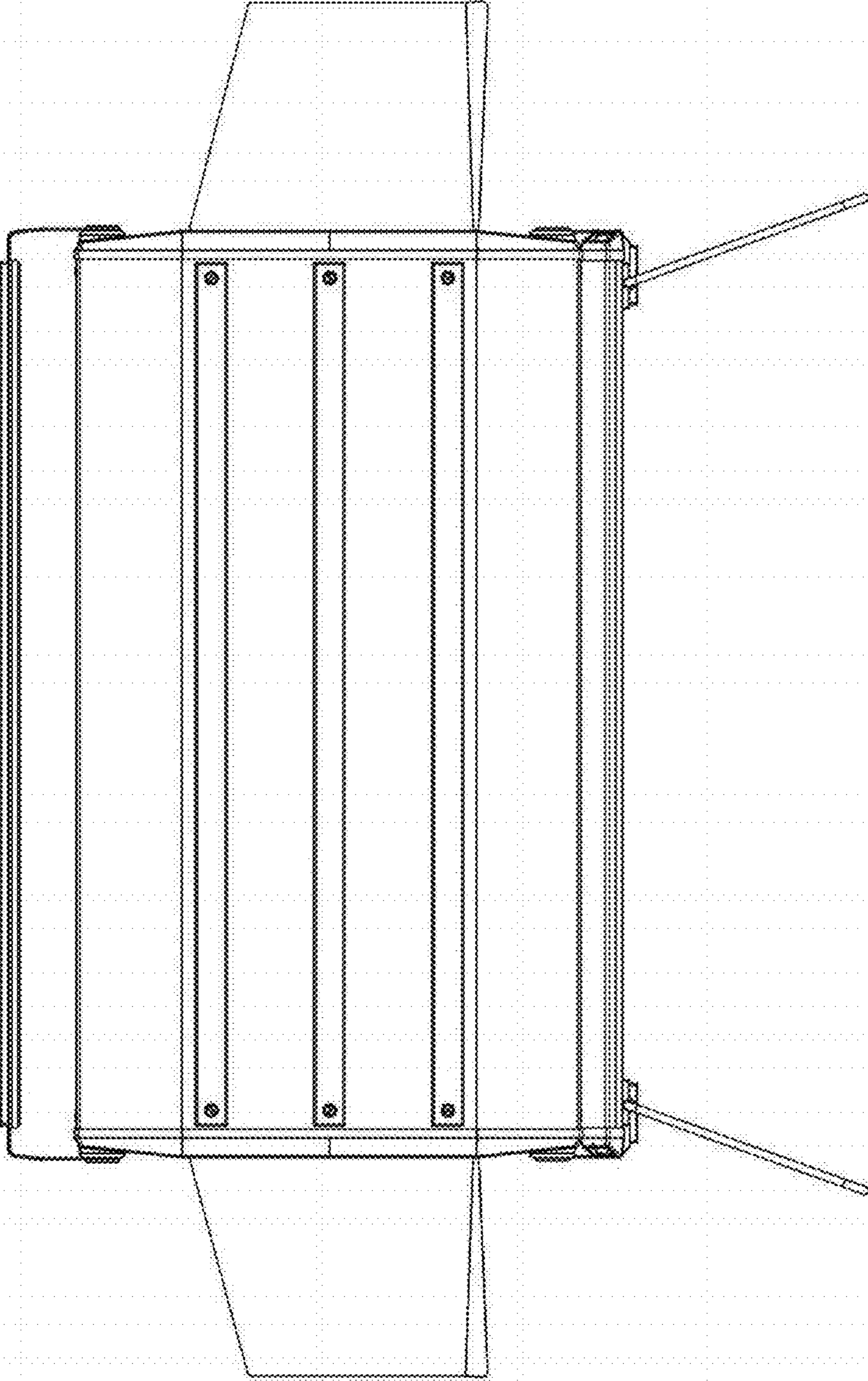


FIG. 23

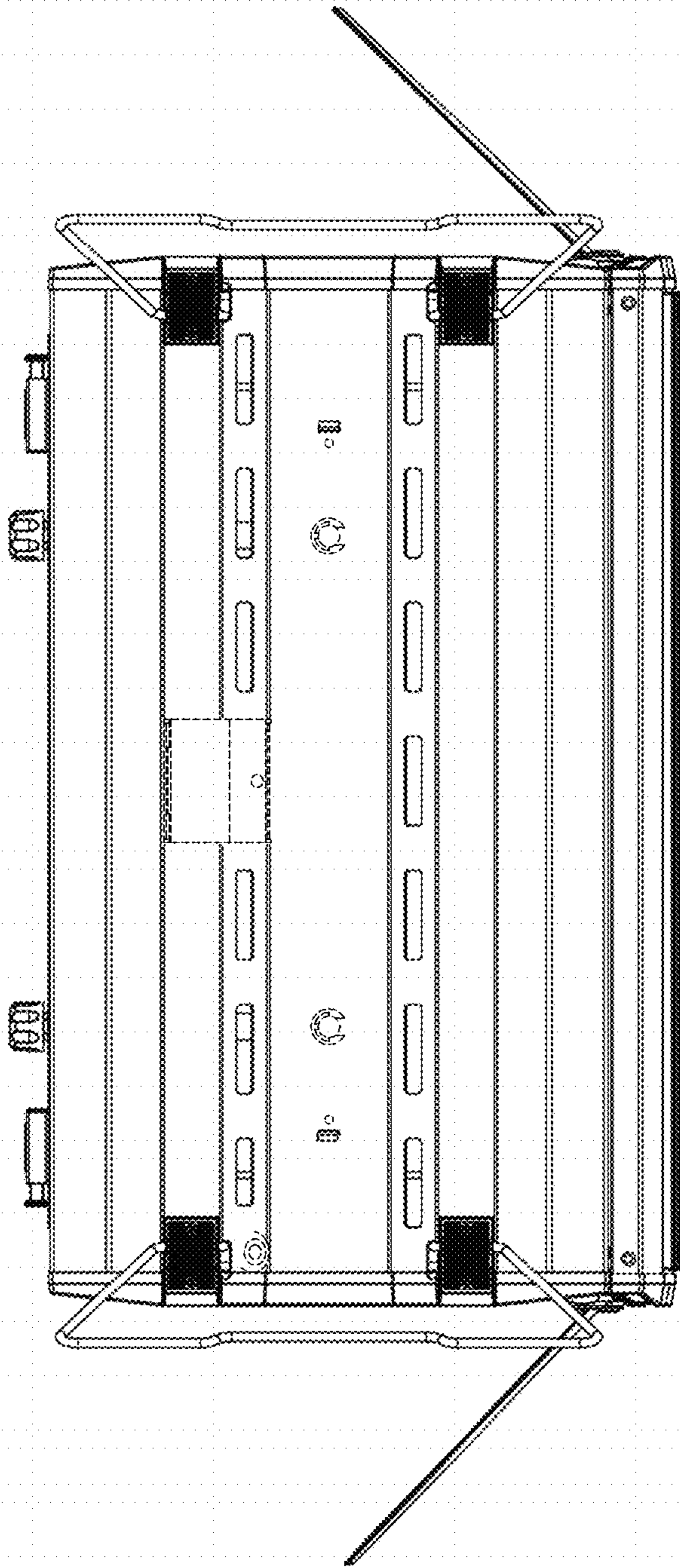


FIG. 24

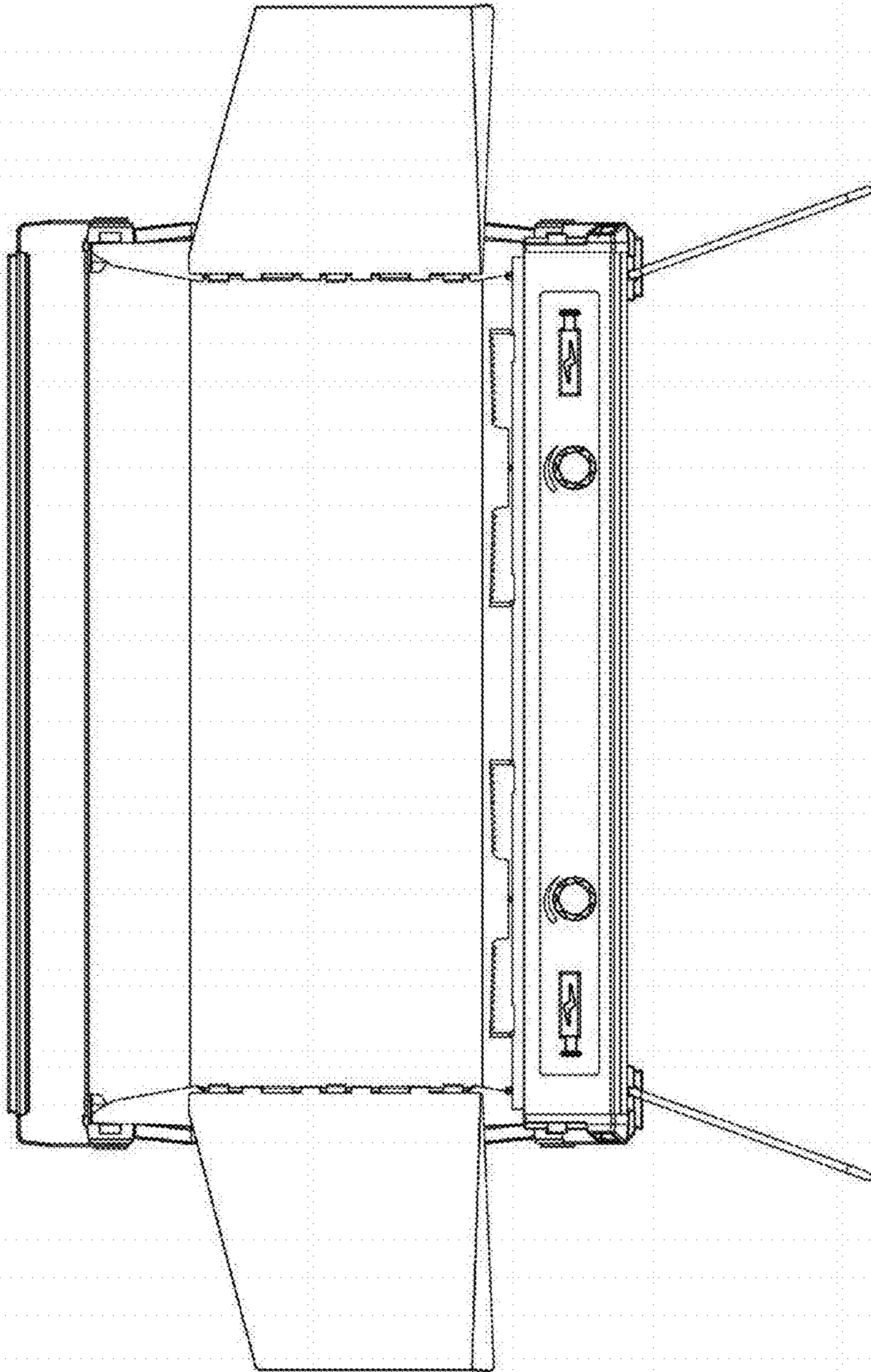


FIG. 25

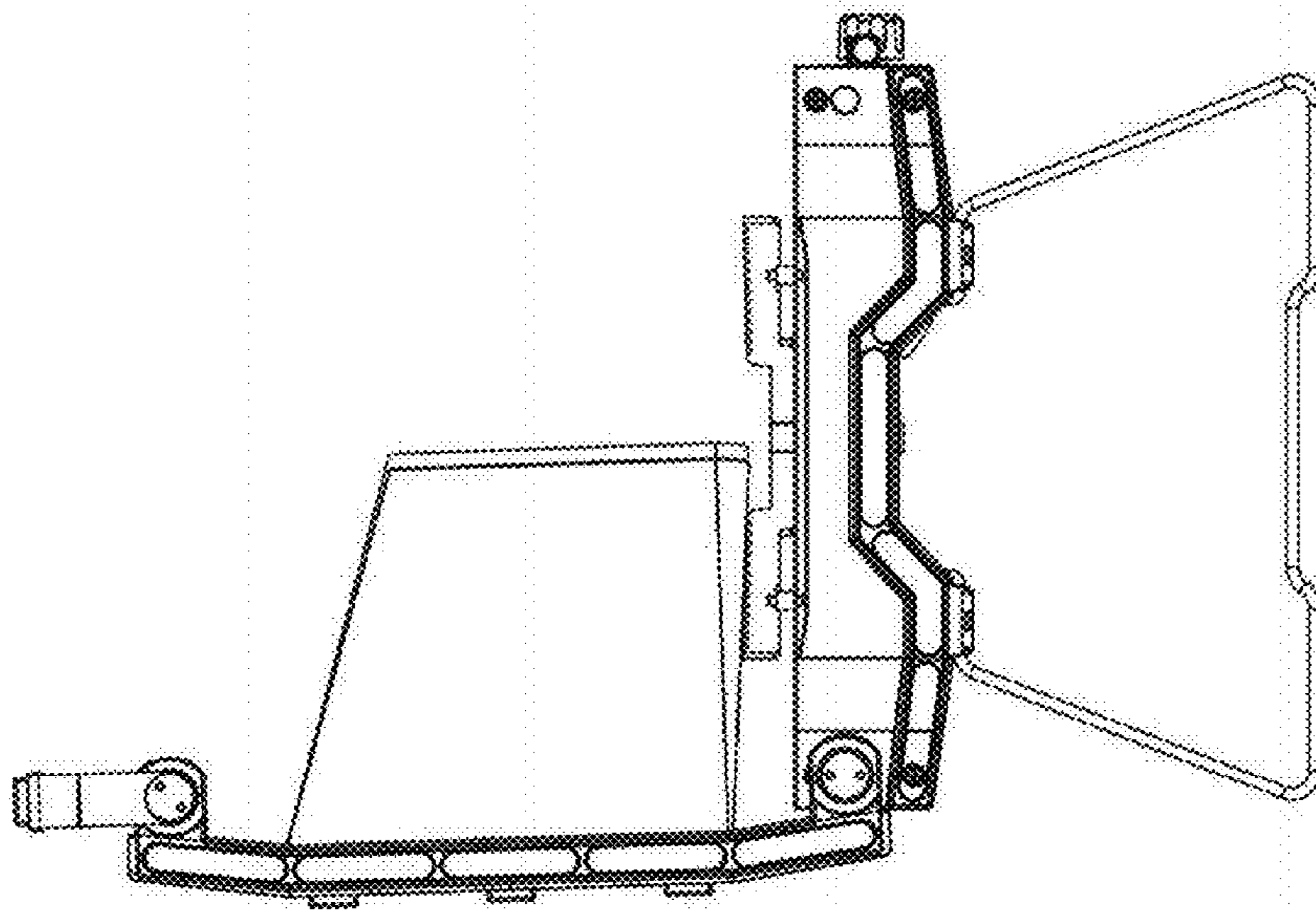


FIG. 26

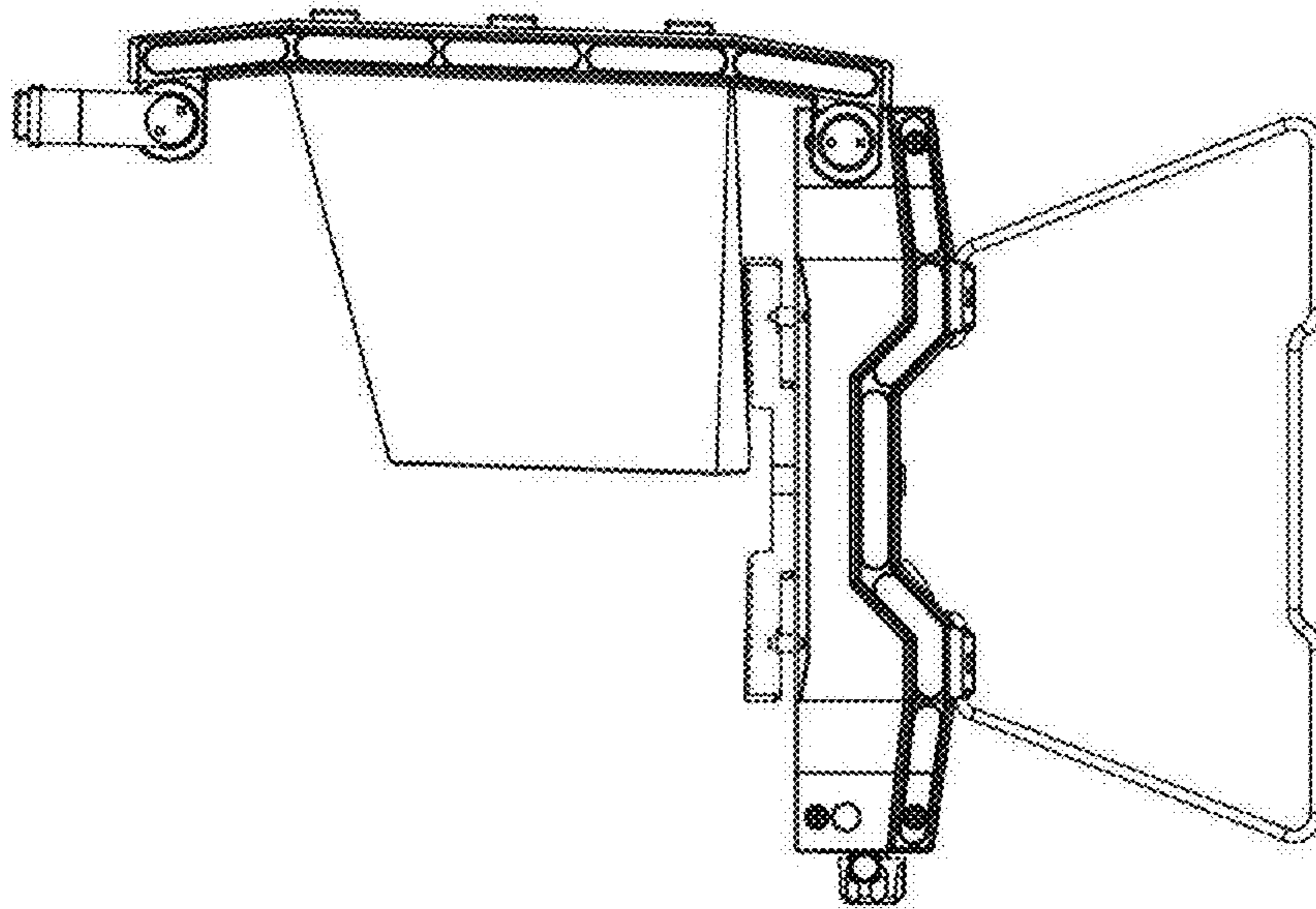


FIG. 27

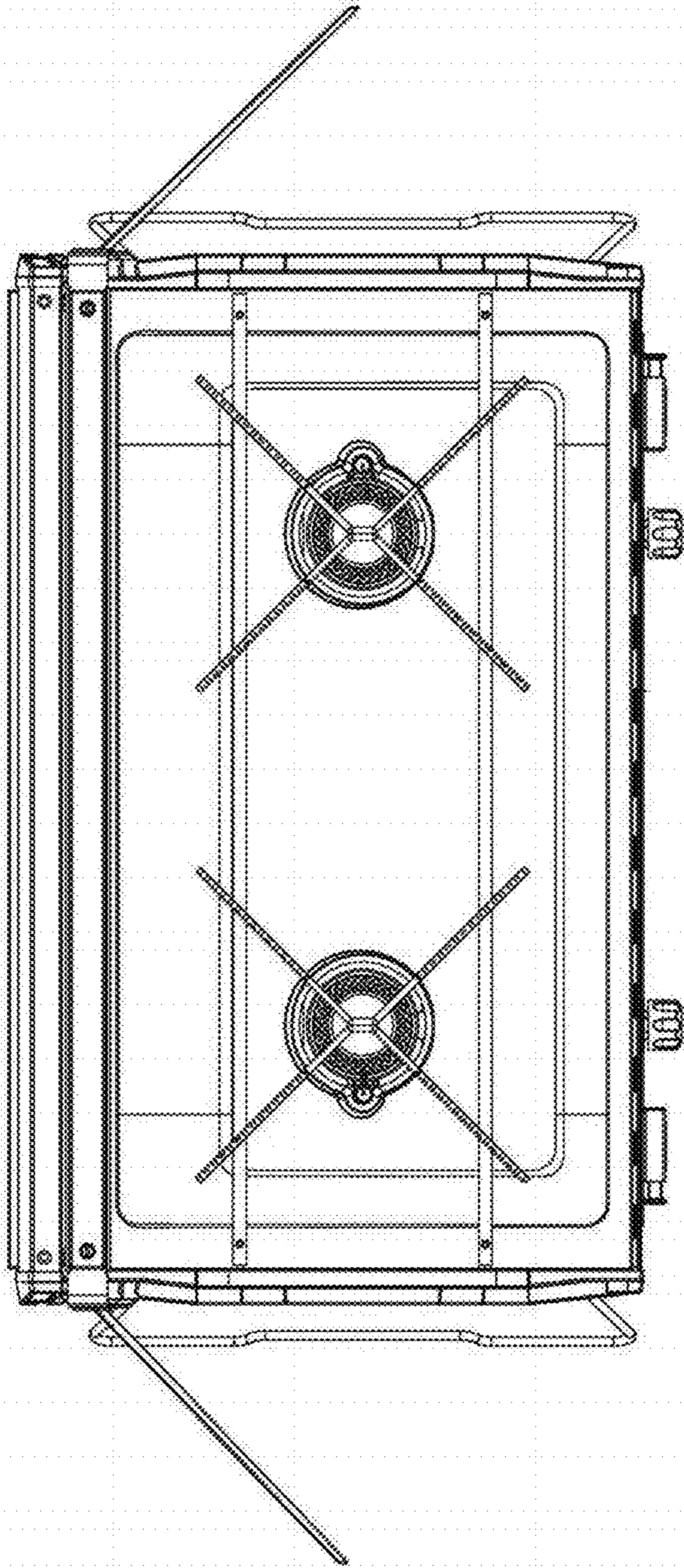


FIG. 28

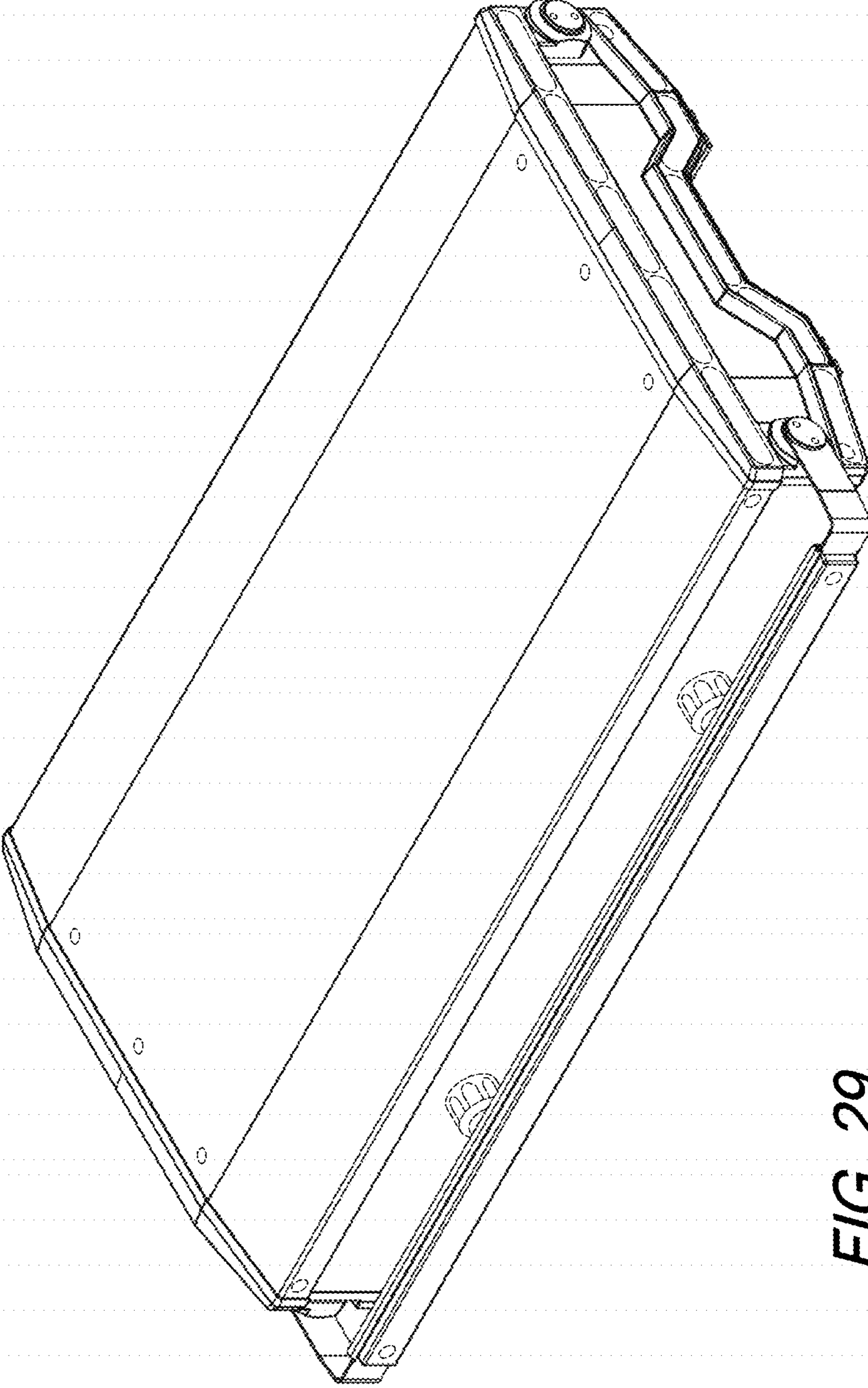
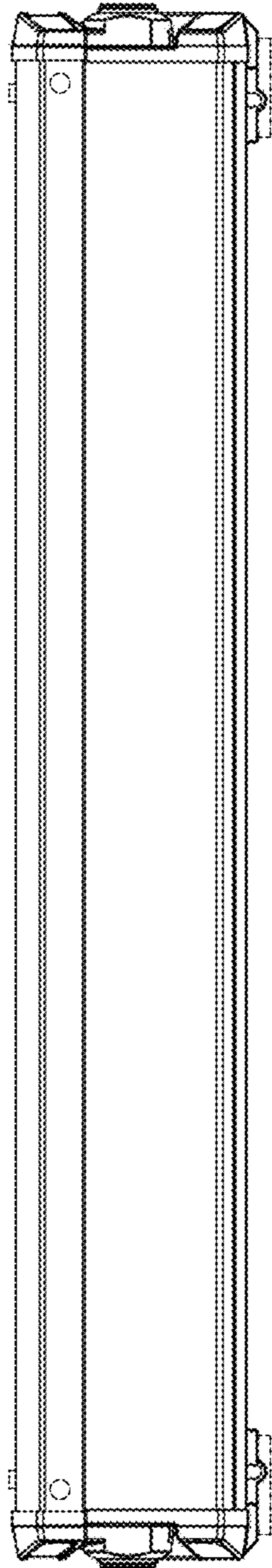


FIG. 29



*FIG. 30*



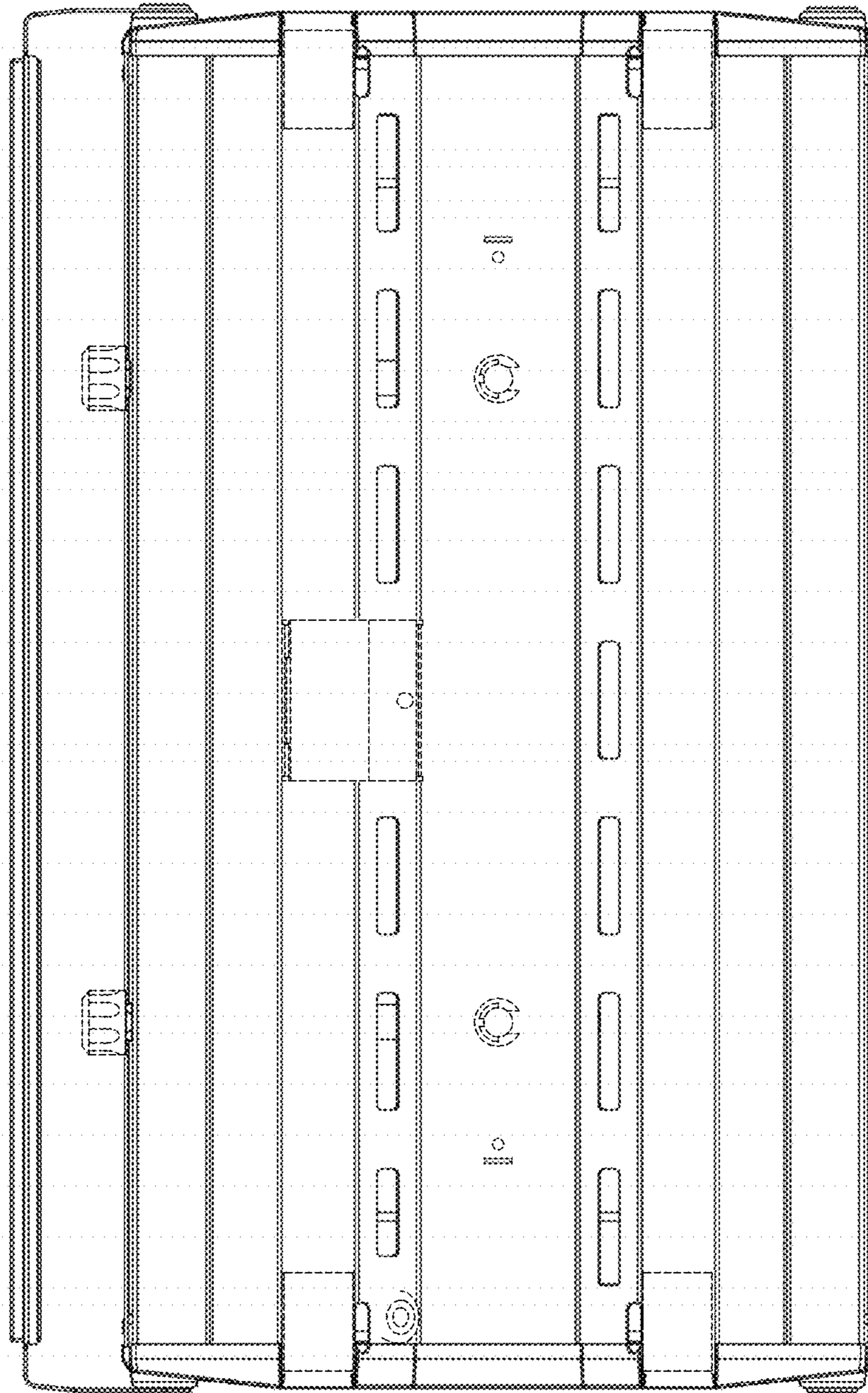


FIG. 31

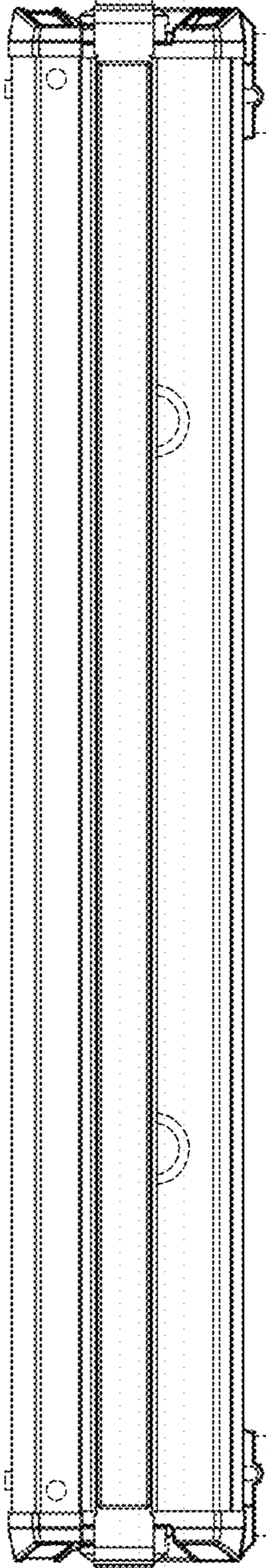


FIG. 32

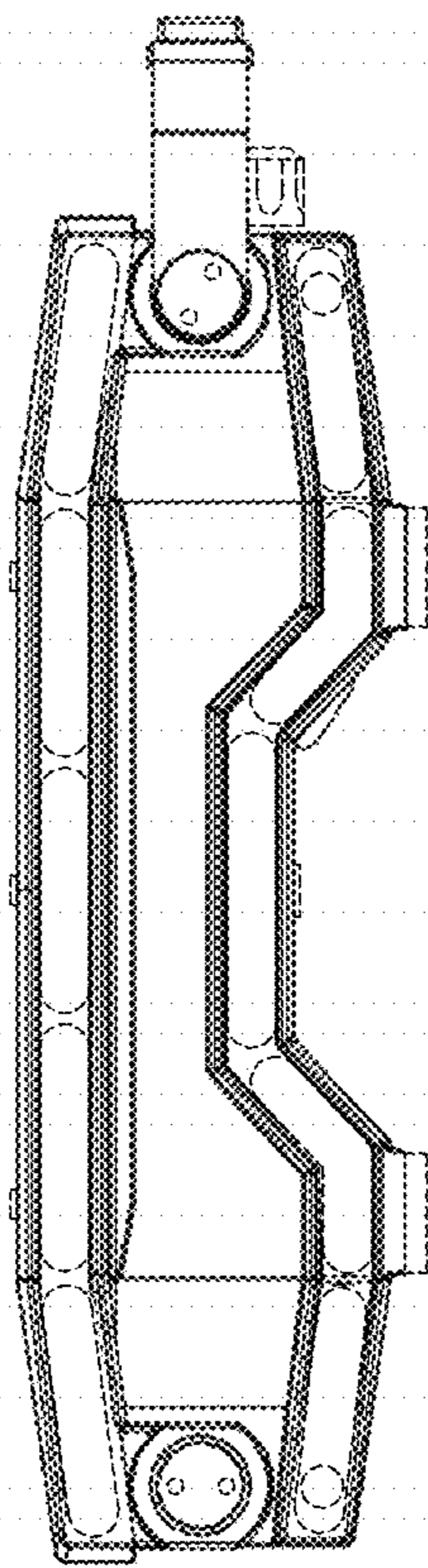


FIG. 33

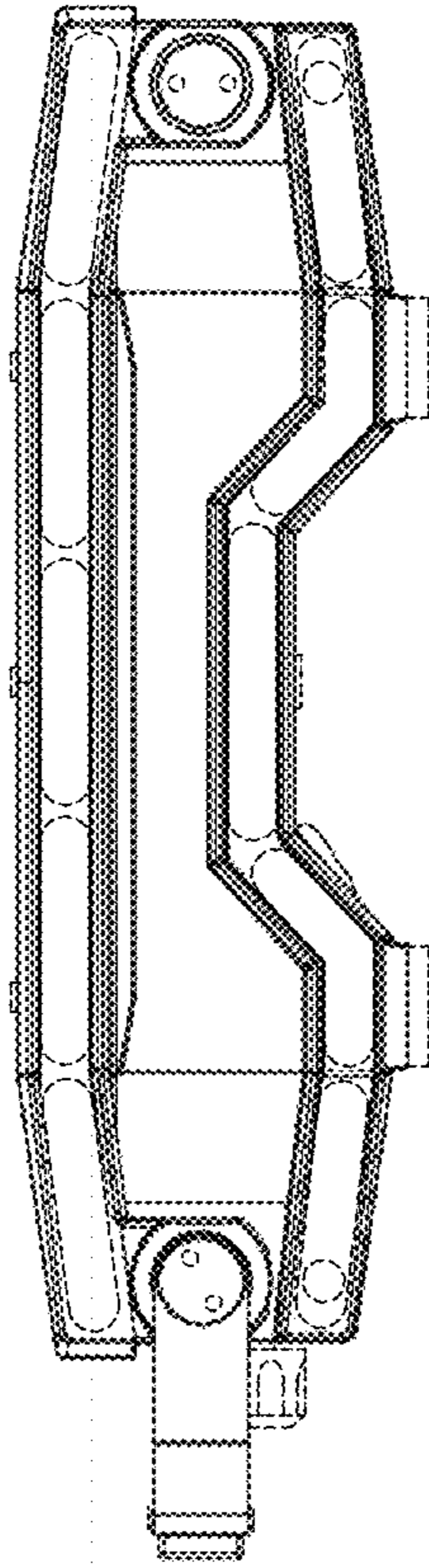


FIG. 34

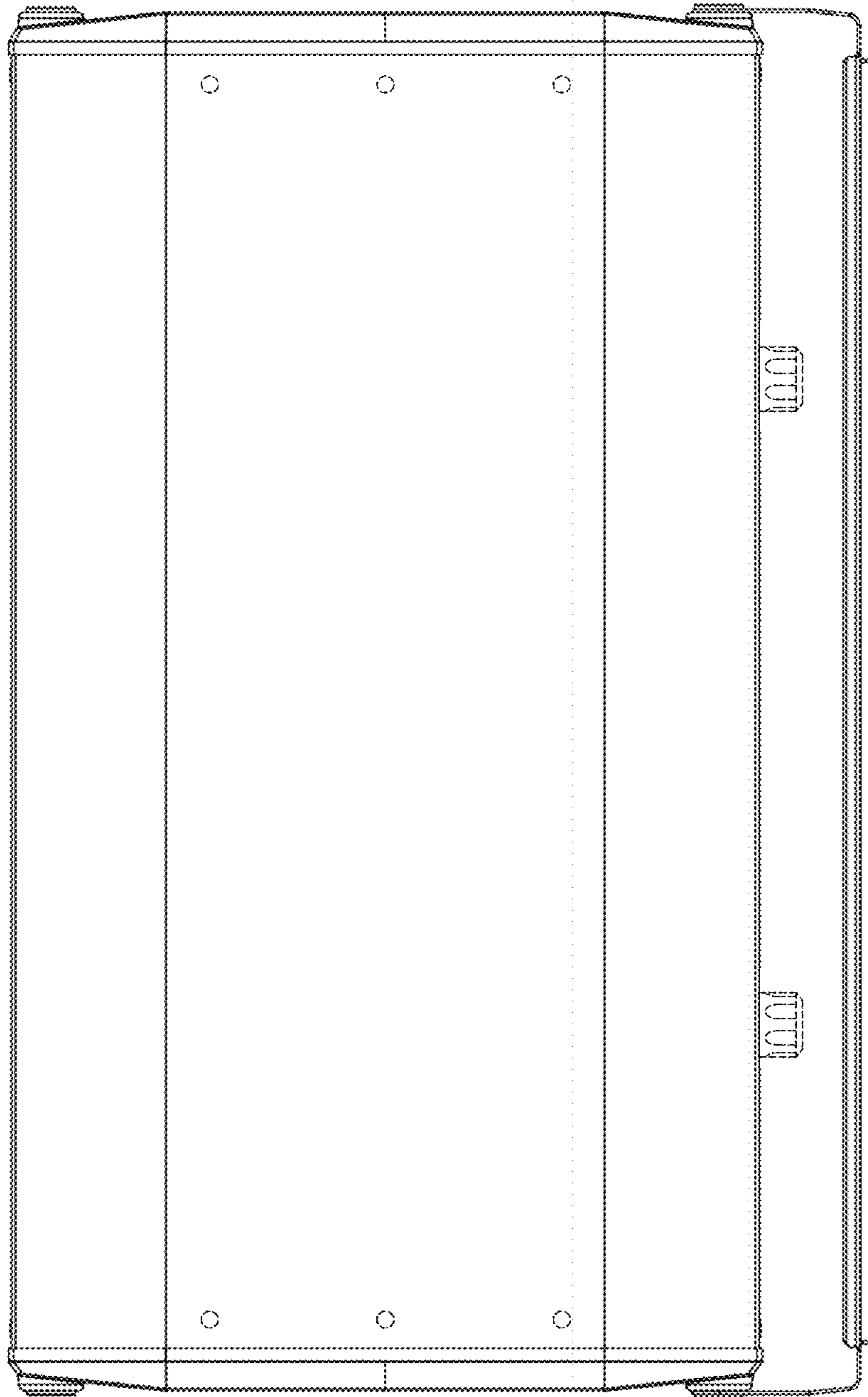


FIG. 35

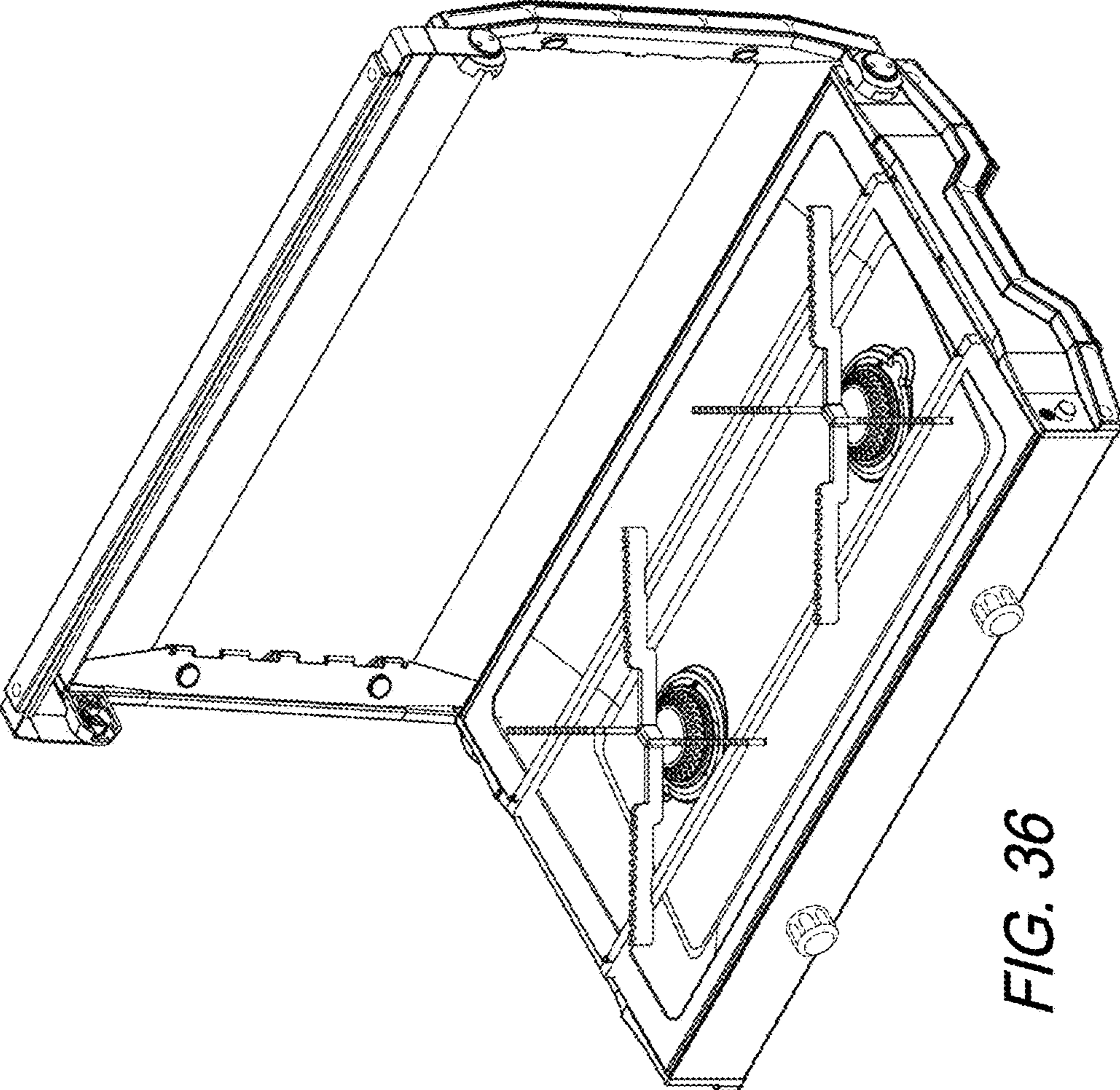


FIG. 36

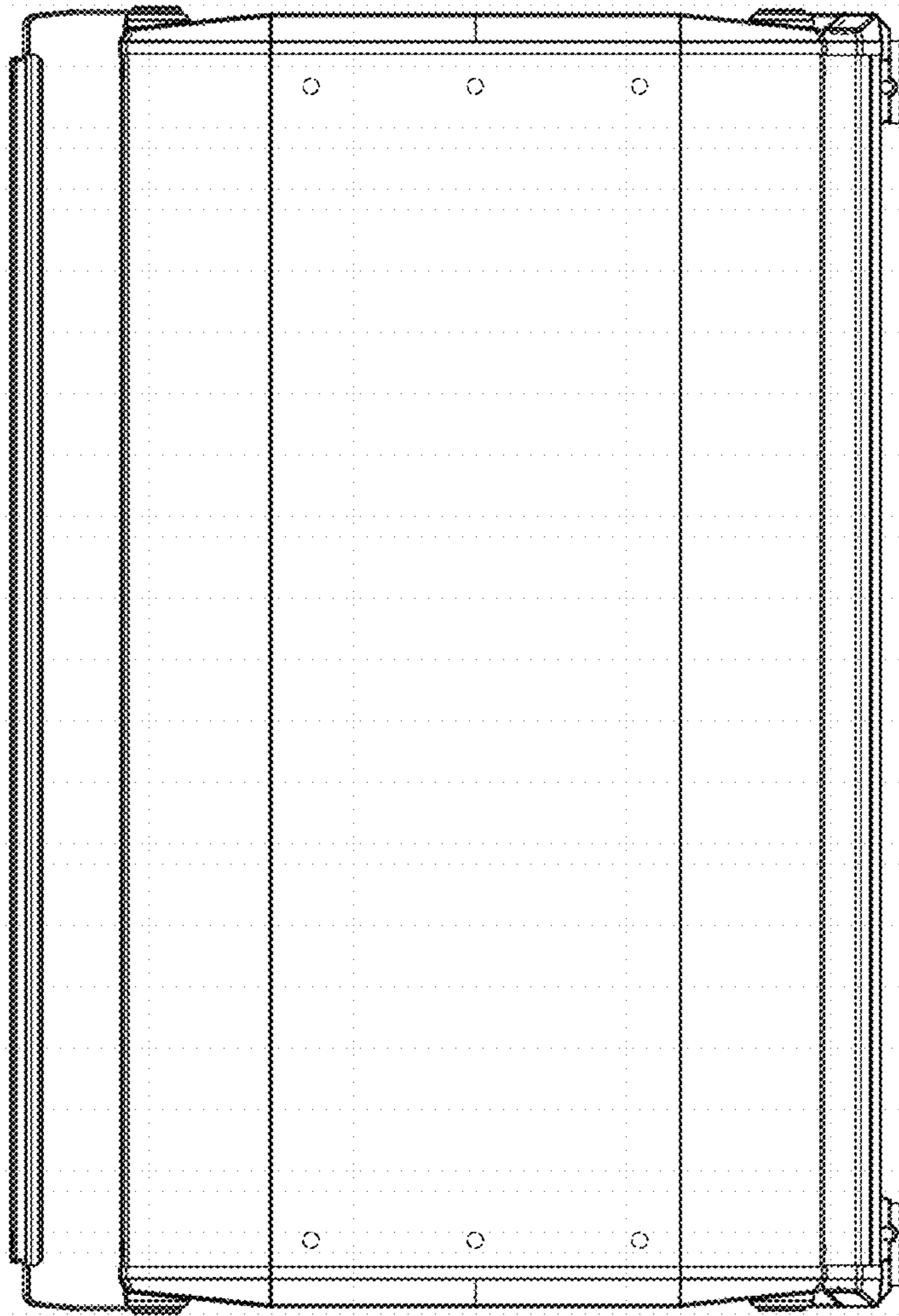


FIG. 37

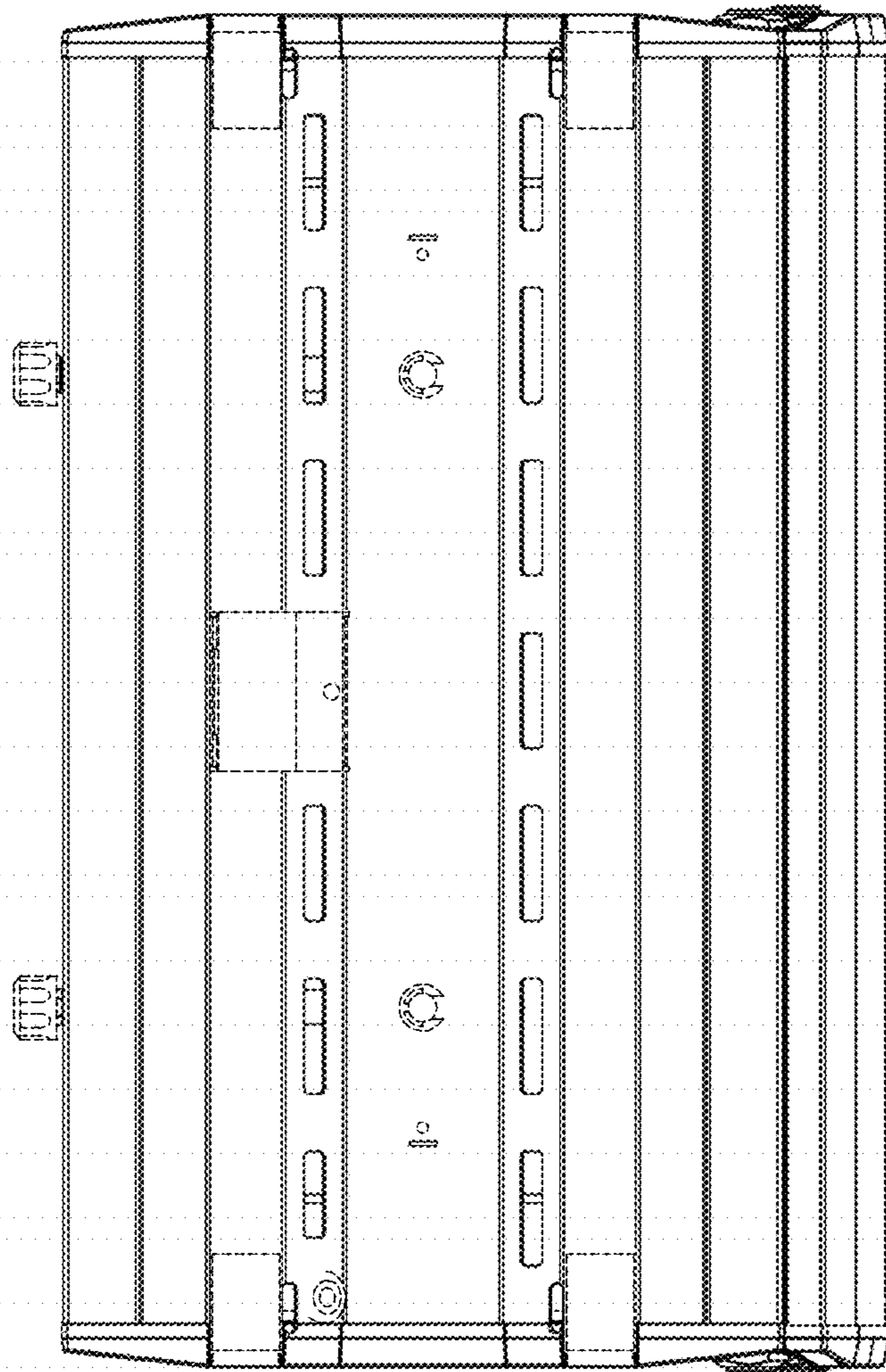


FIG. 38



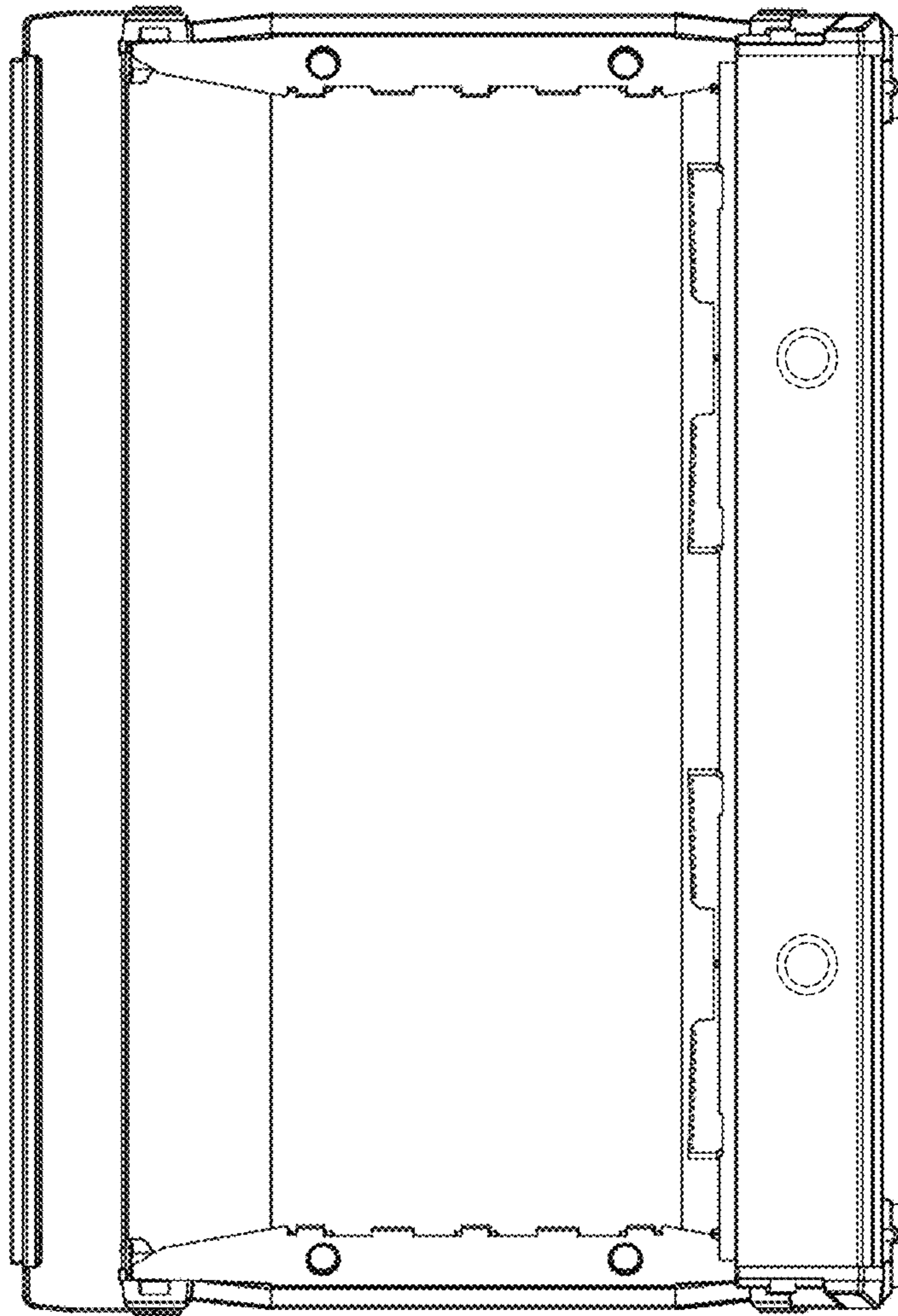


FIG. 39

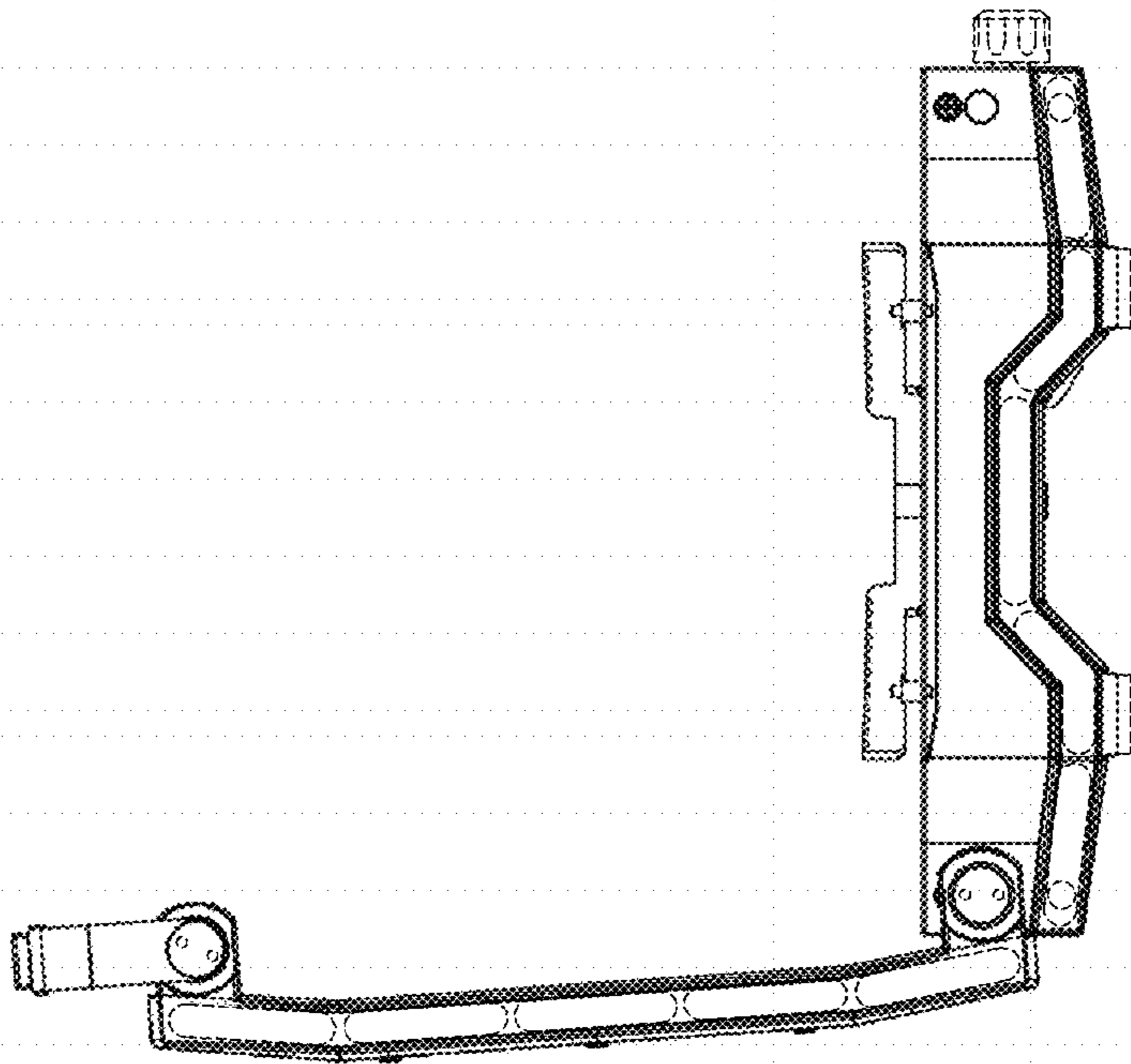


FIG. 40

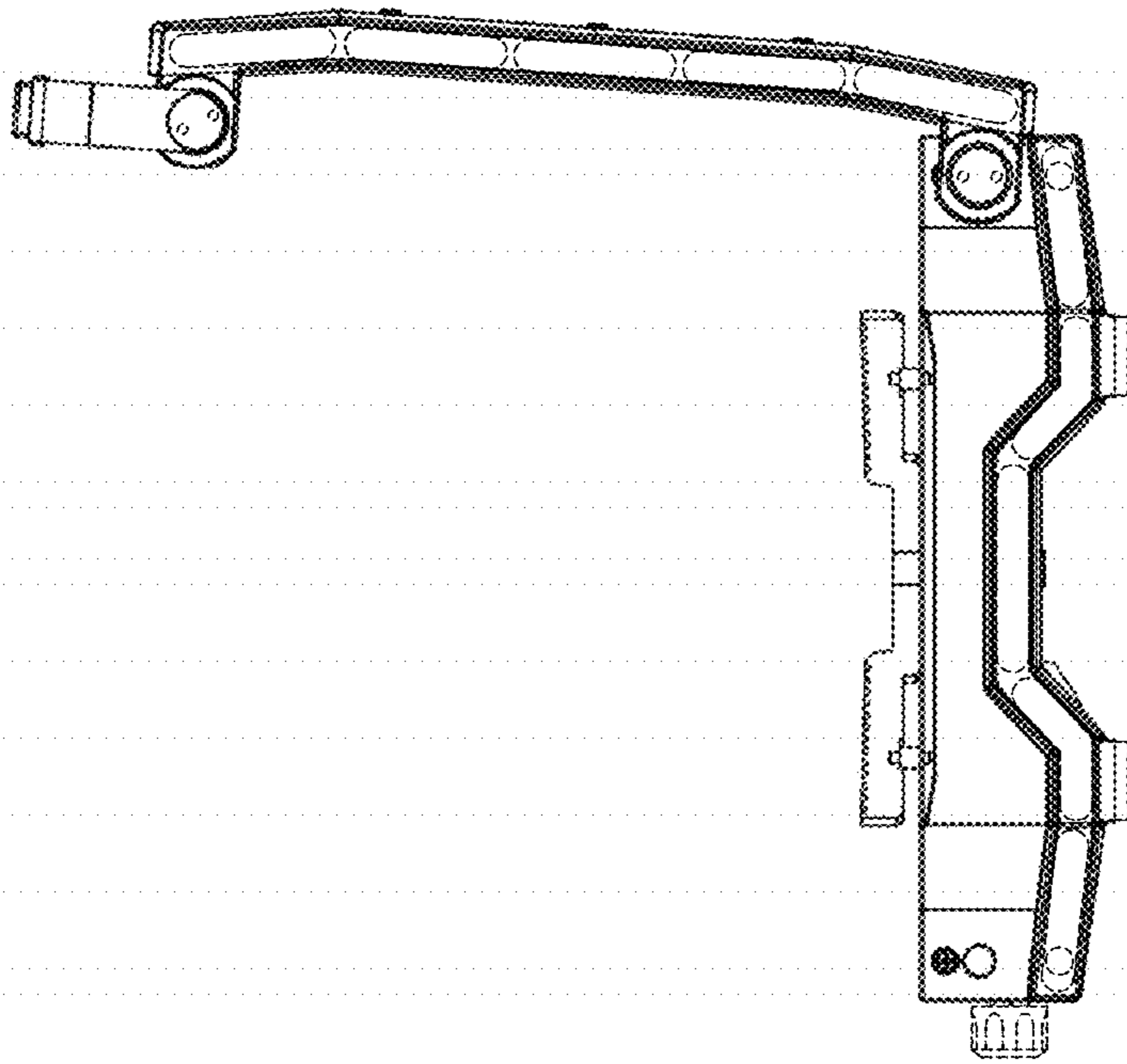


FIG. 41

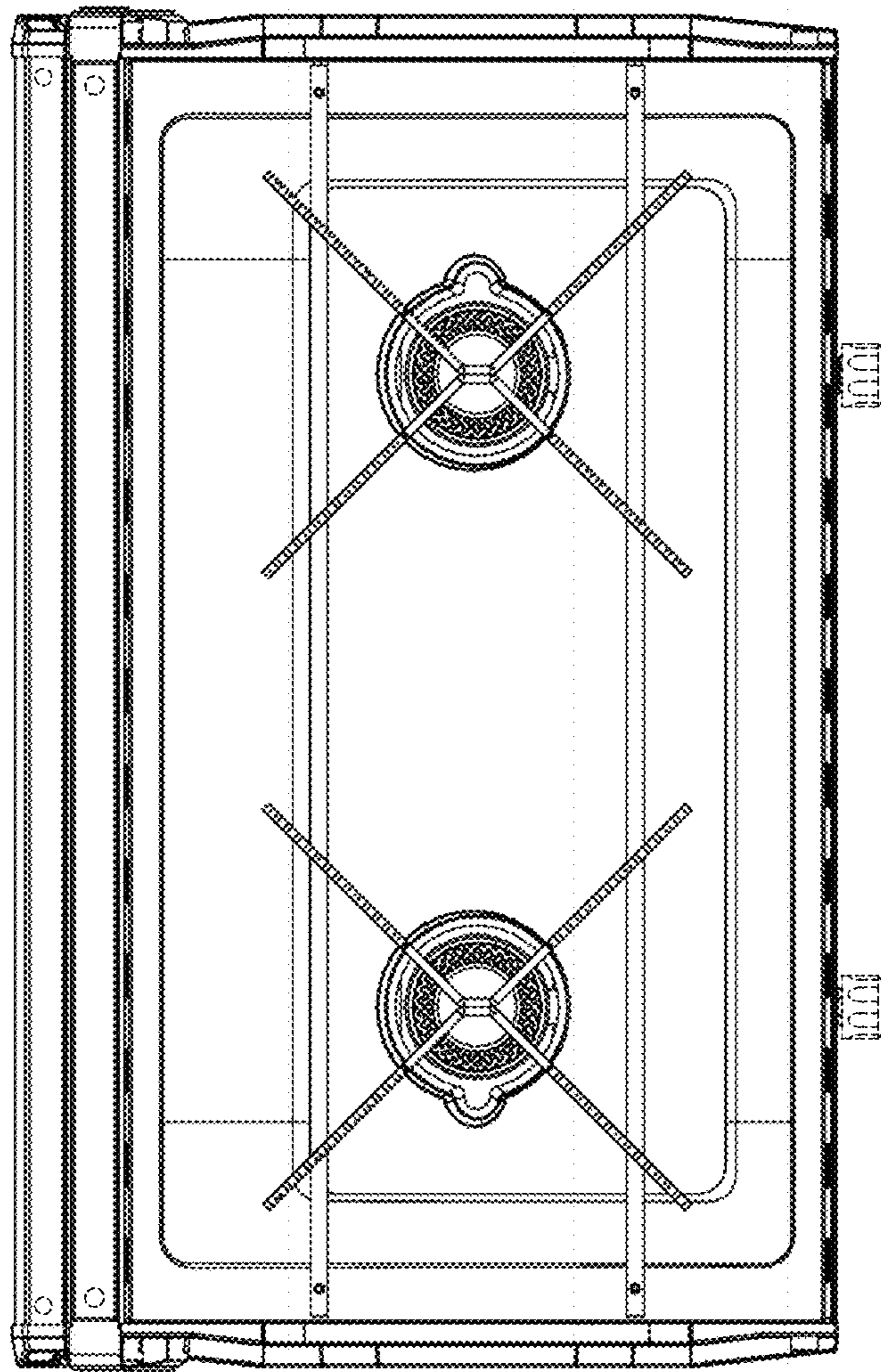


FIG. 42

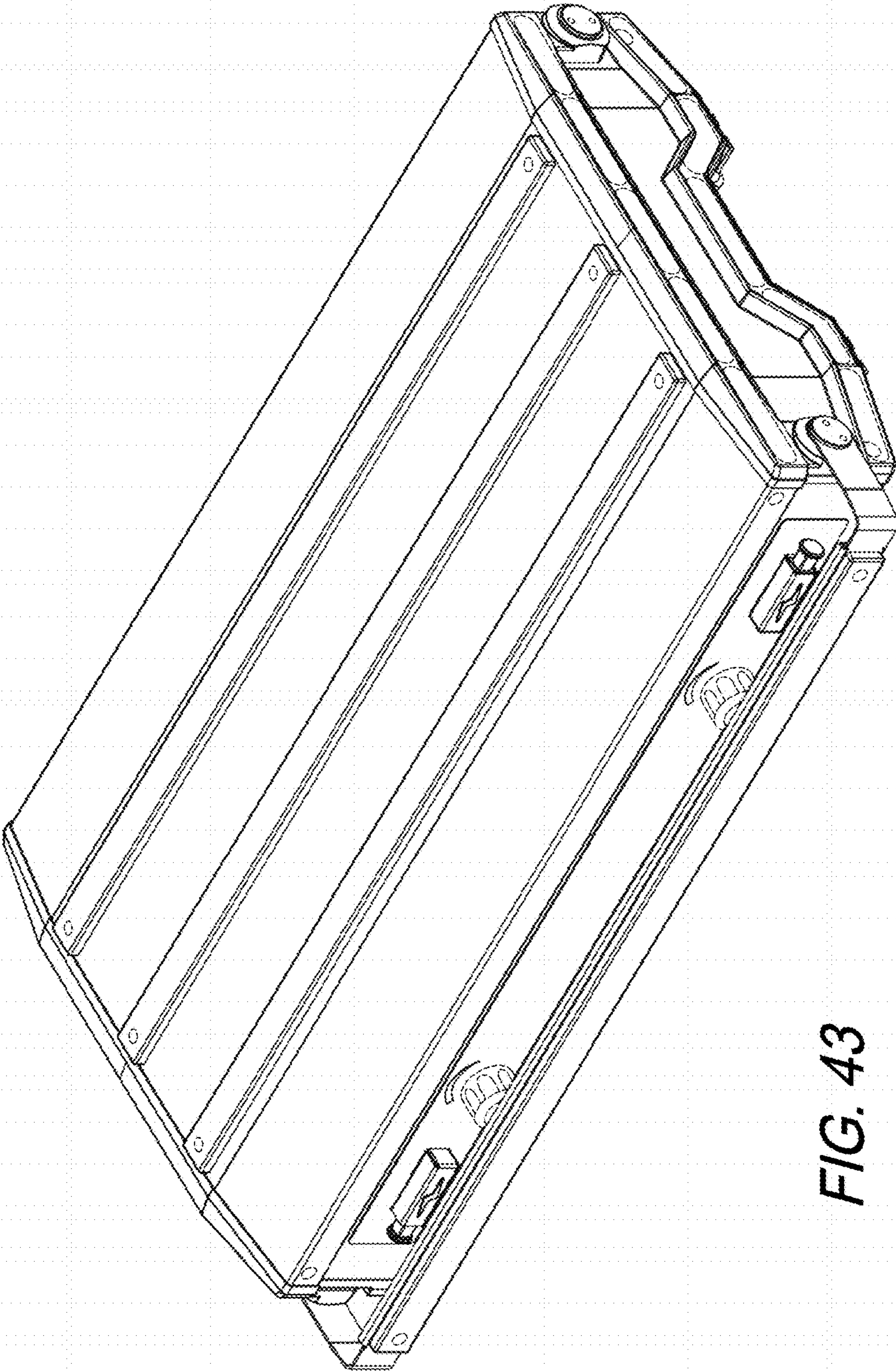


FIG. 43

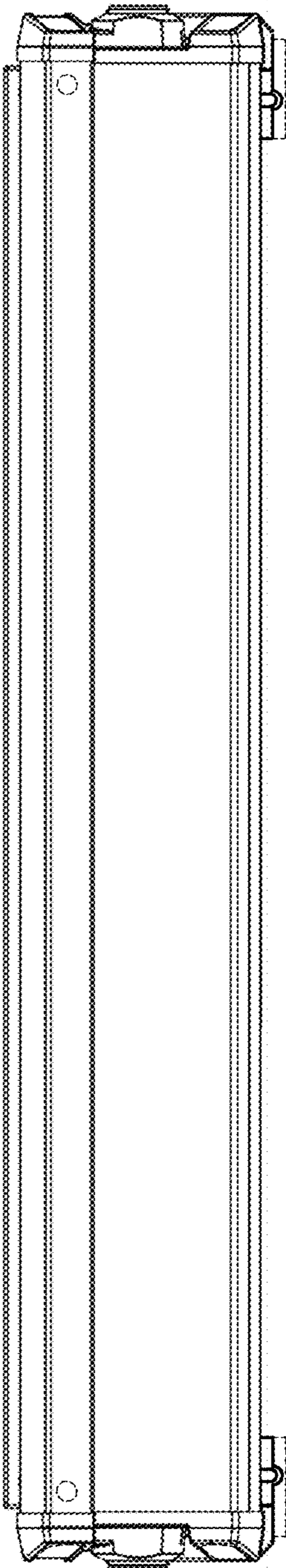


FIG. 44

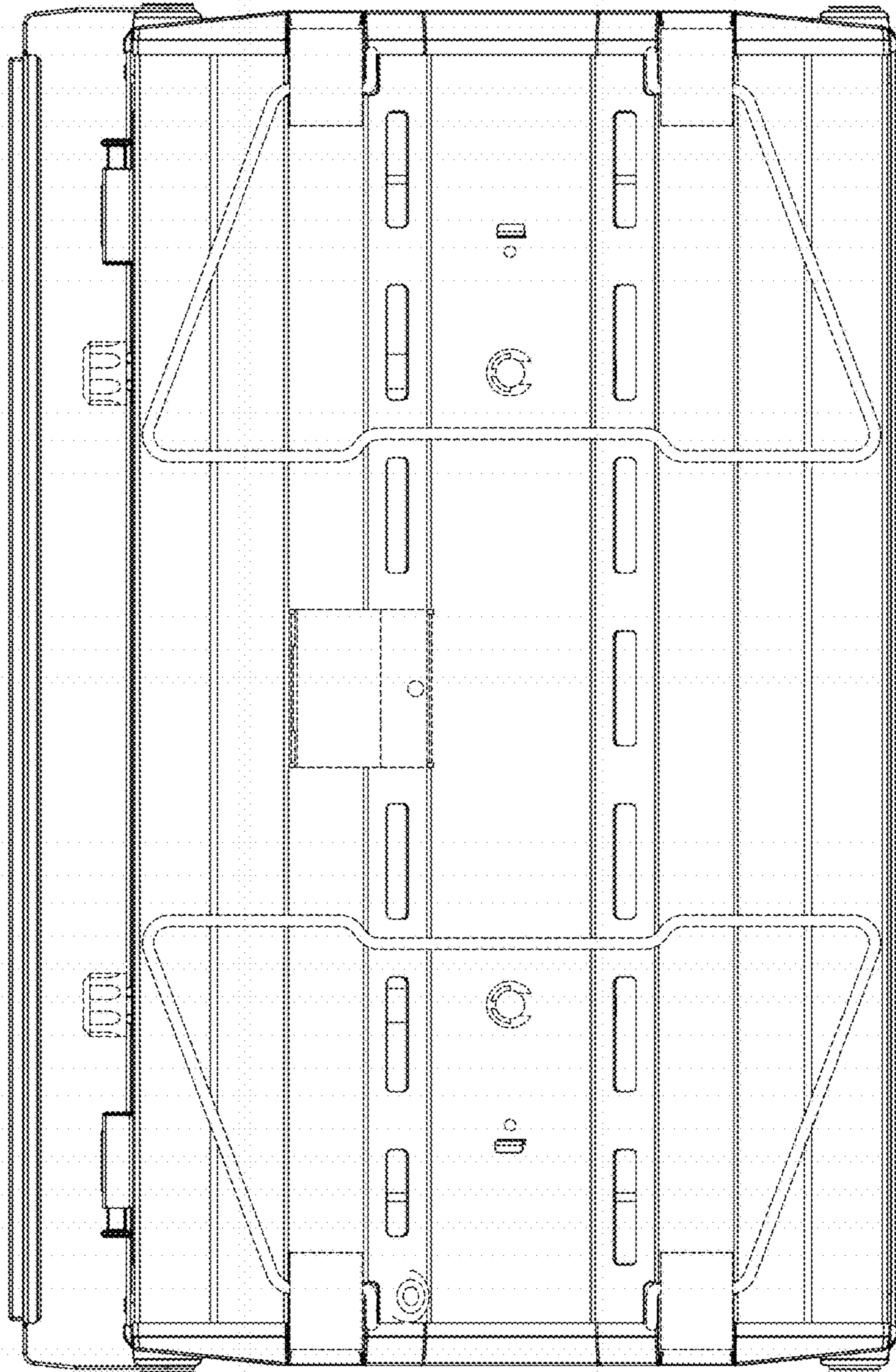


FIG. 45

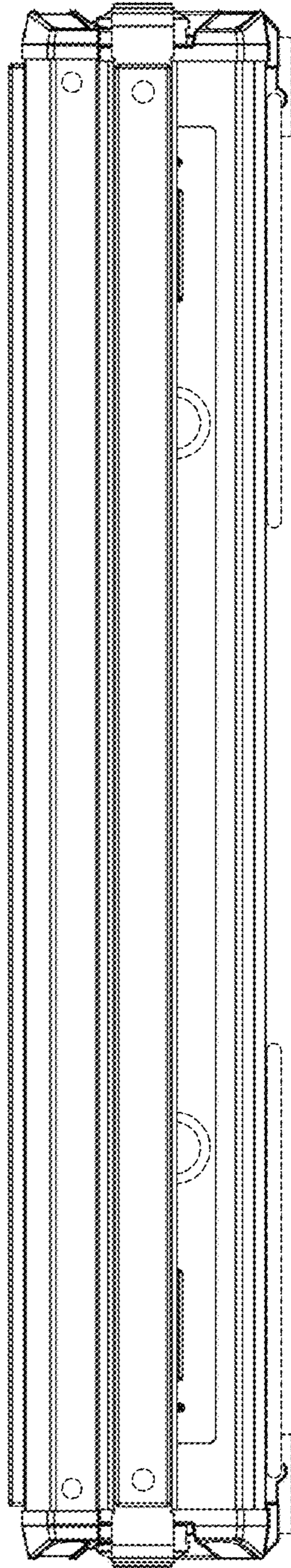


FIG. 46



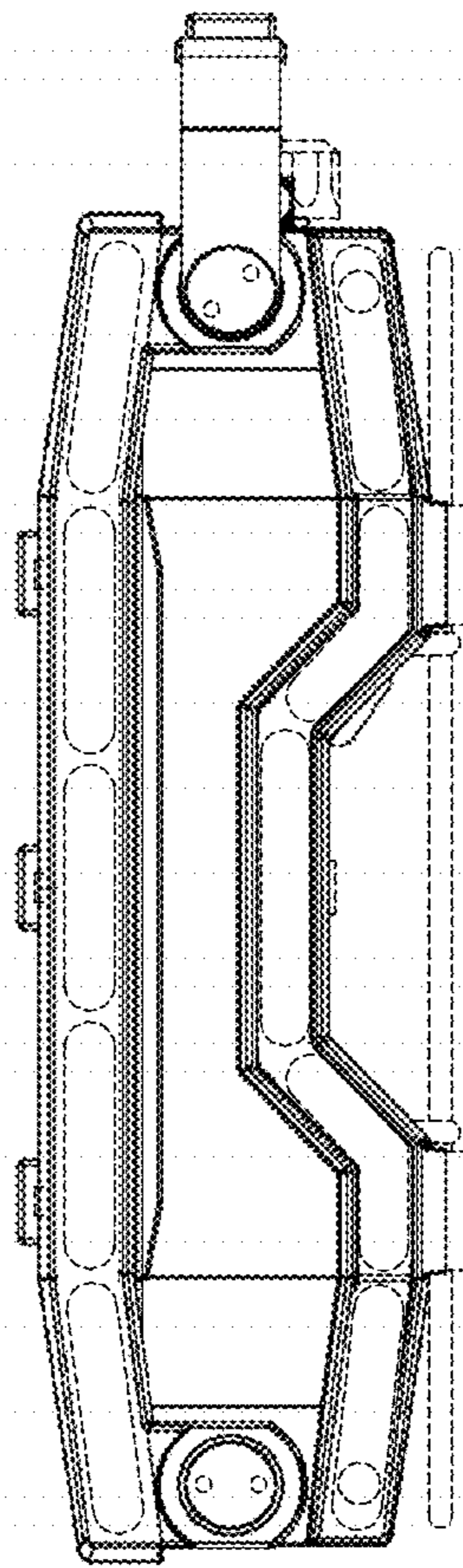


FIG. 47

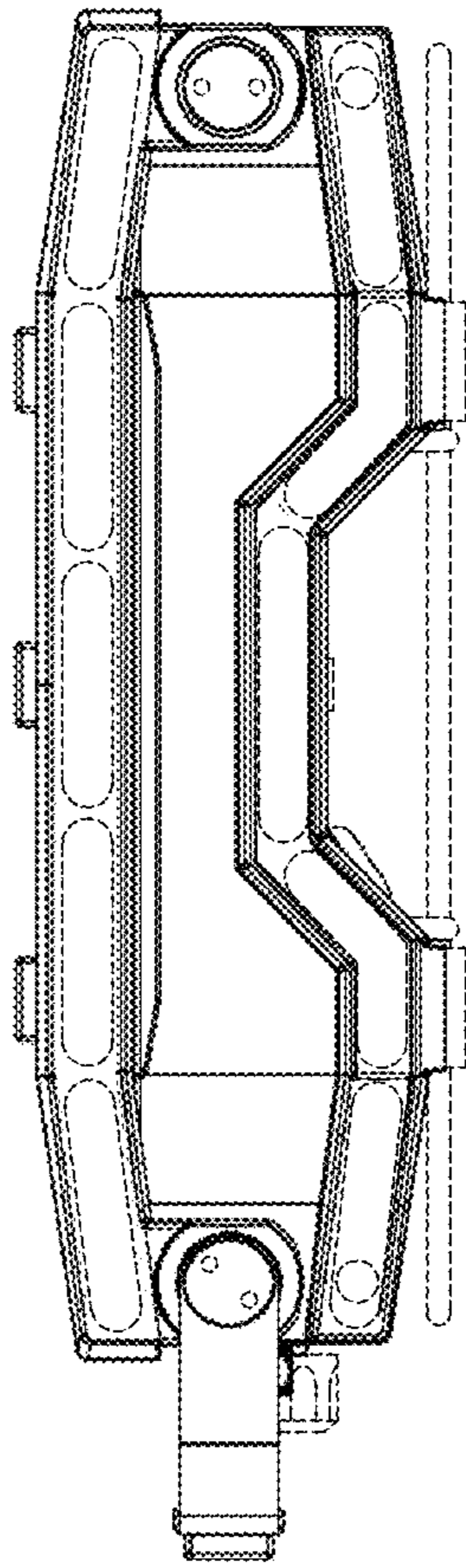
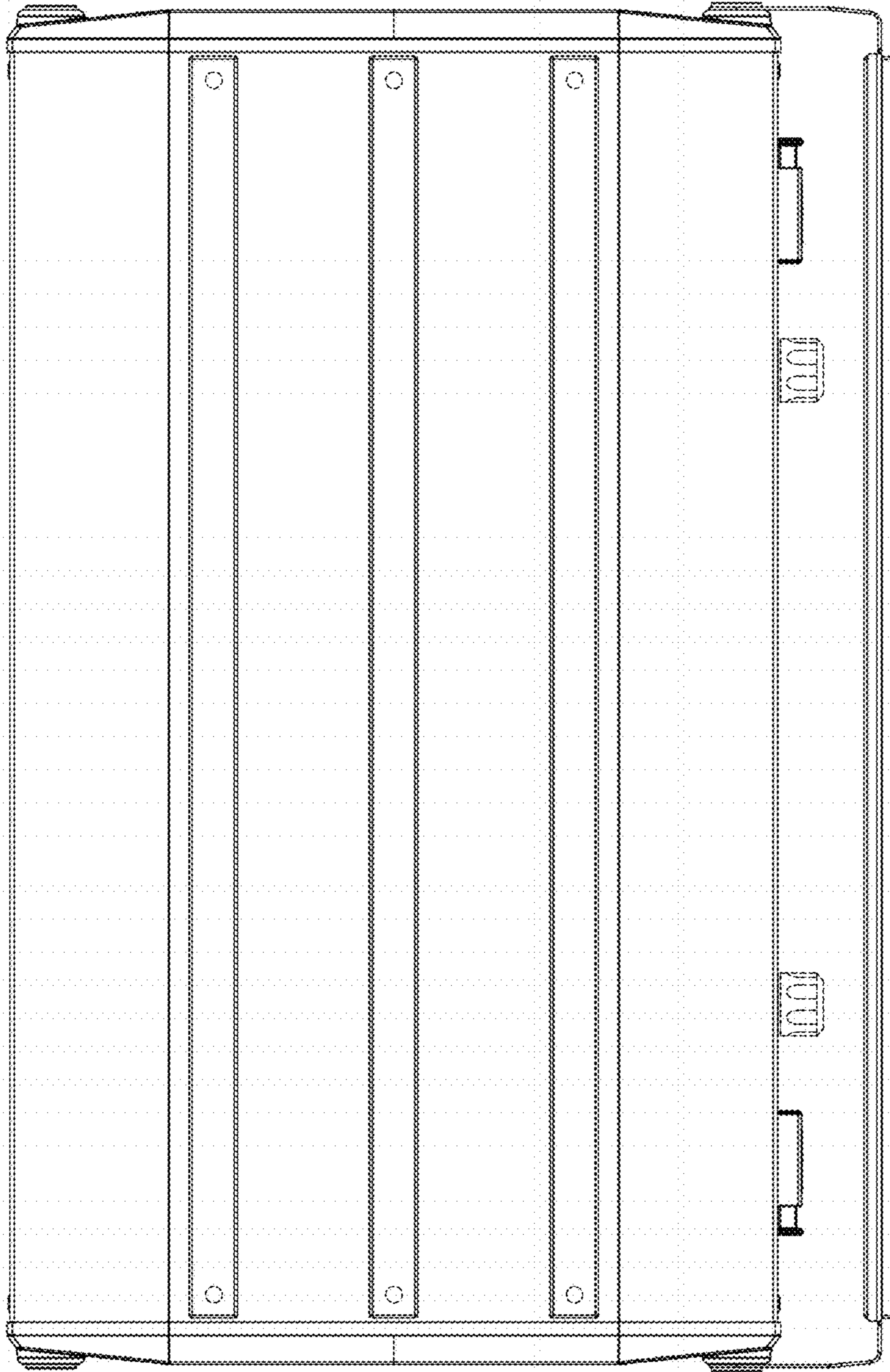


FIG. 48



*FIG. 49*

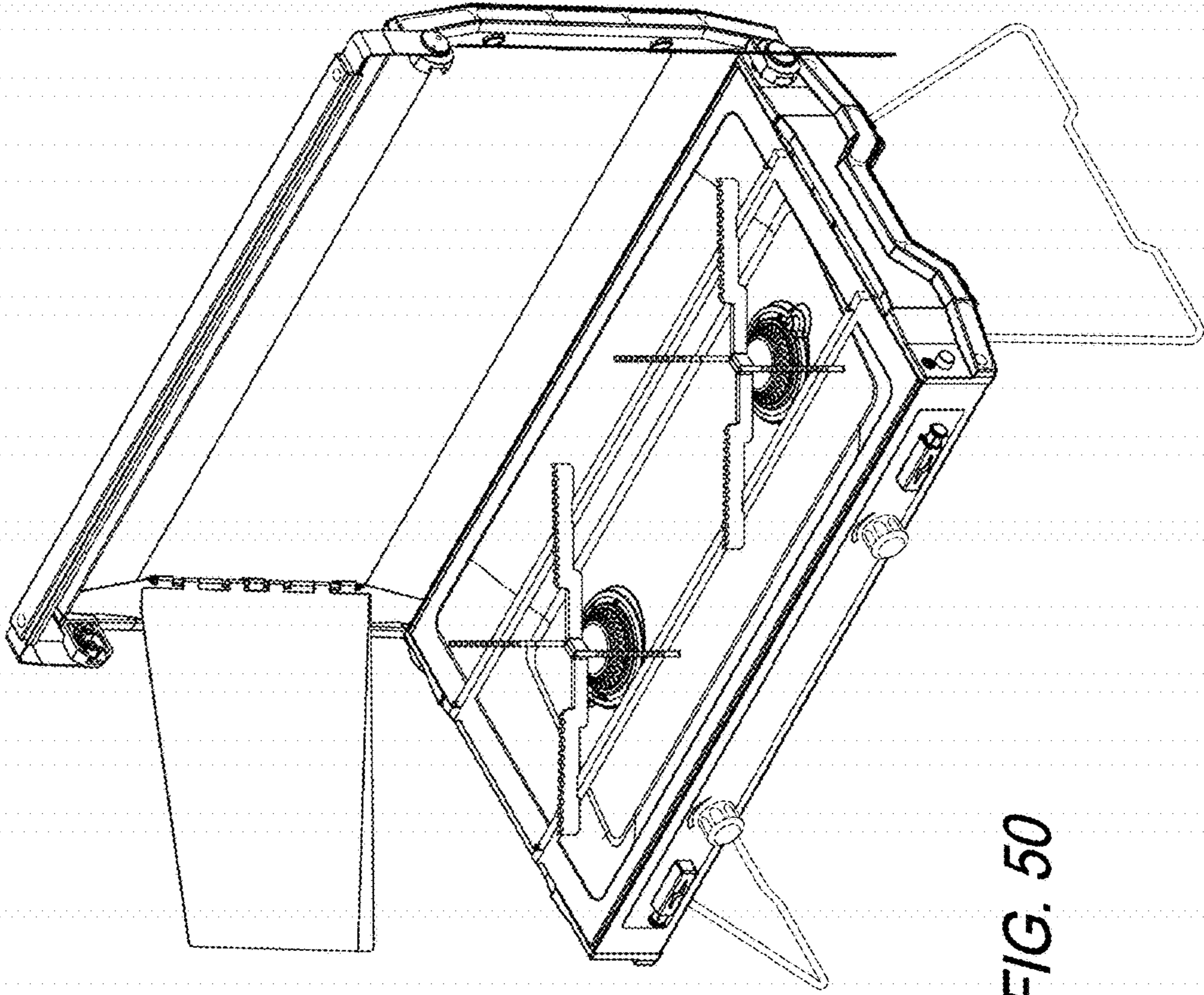


FIG. 50

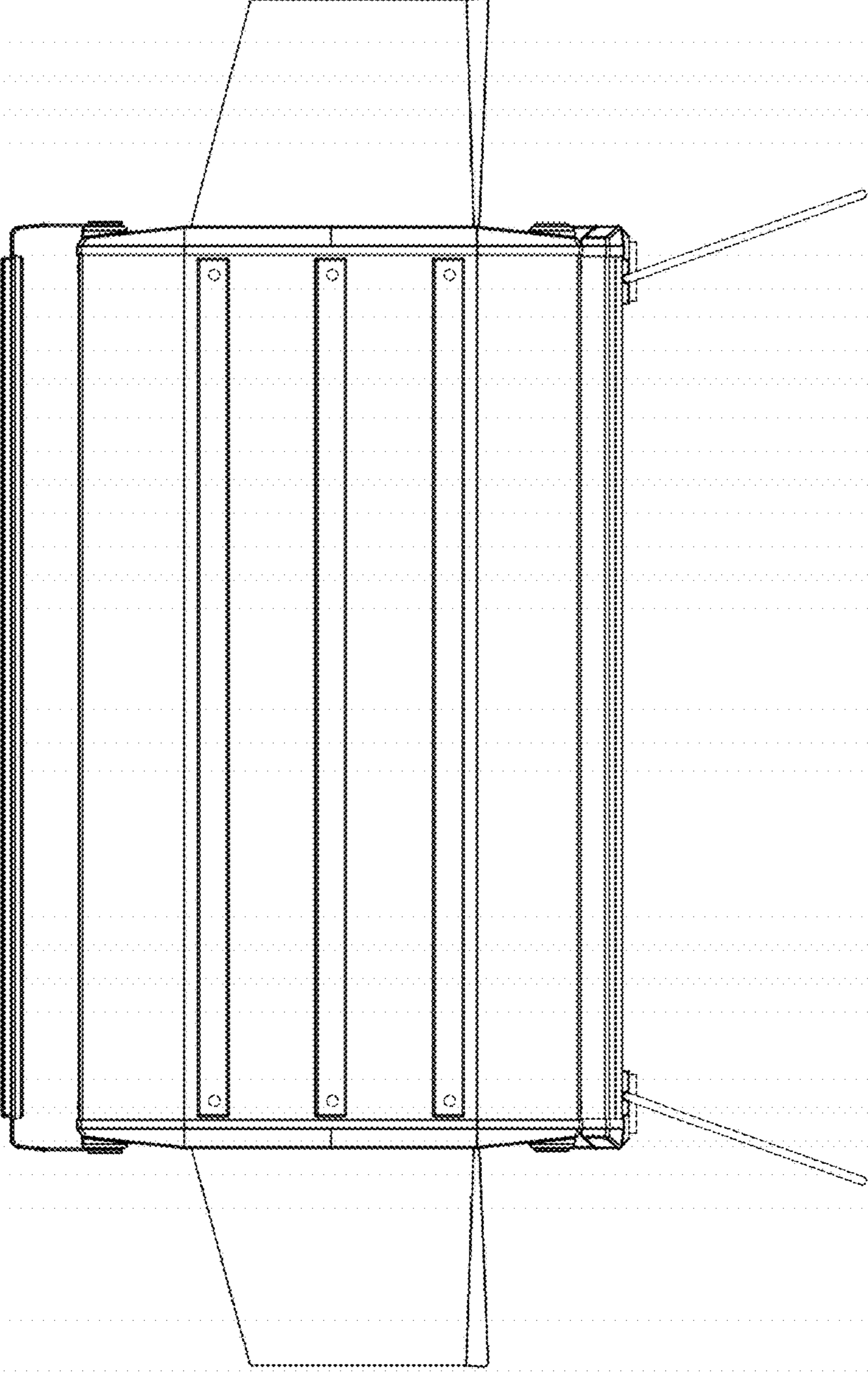


FIG. 51

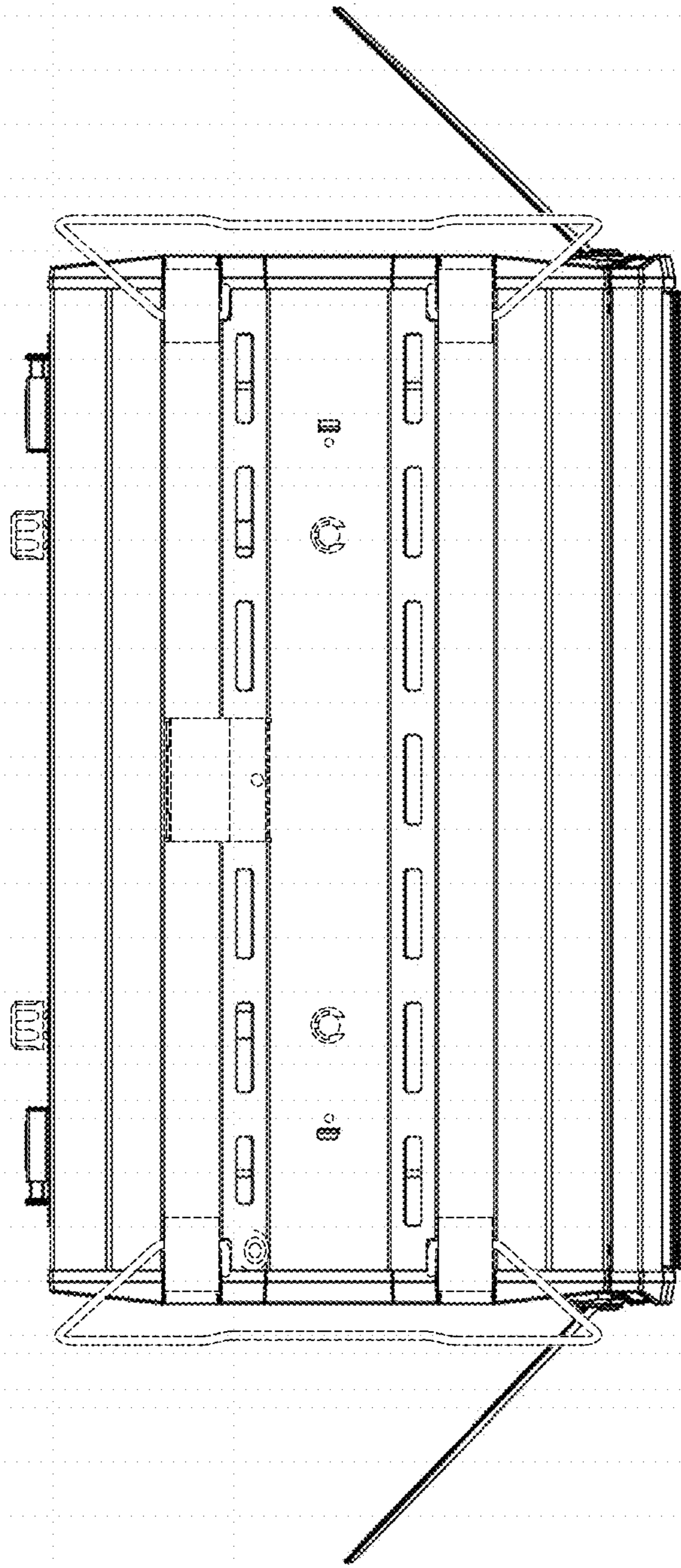


FIG. 52

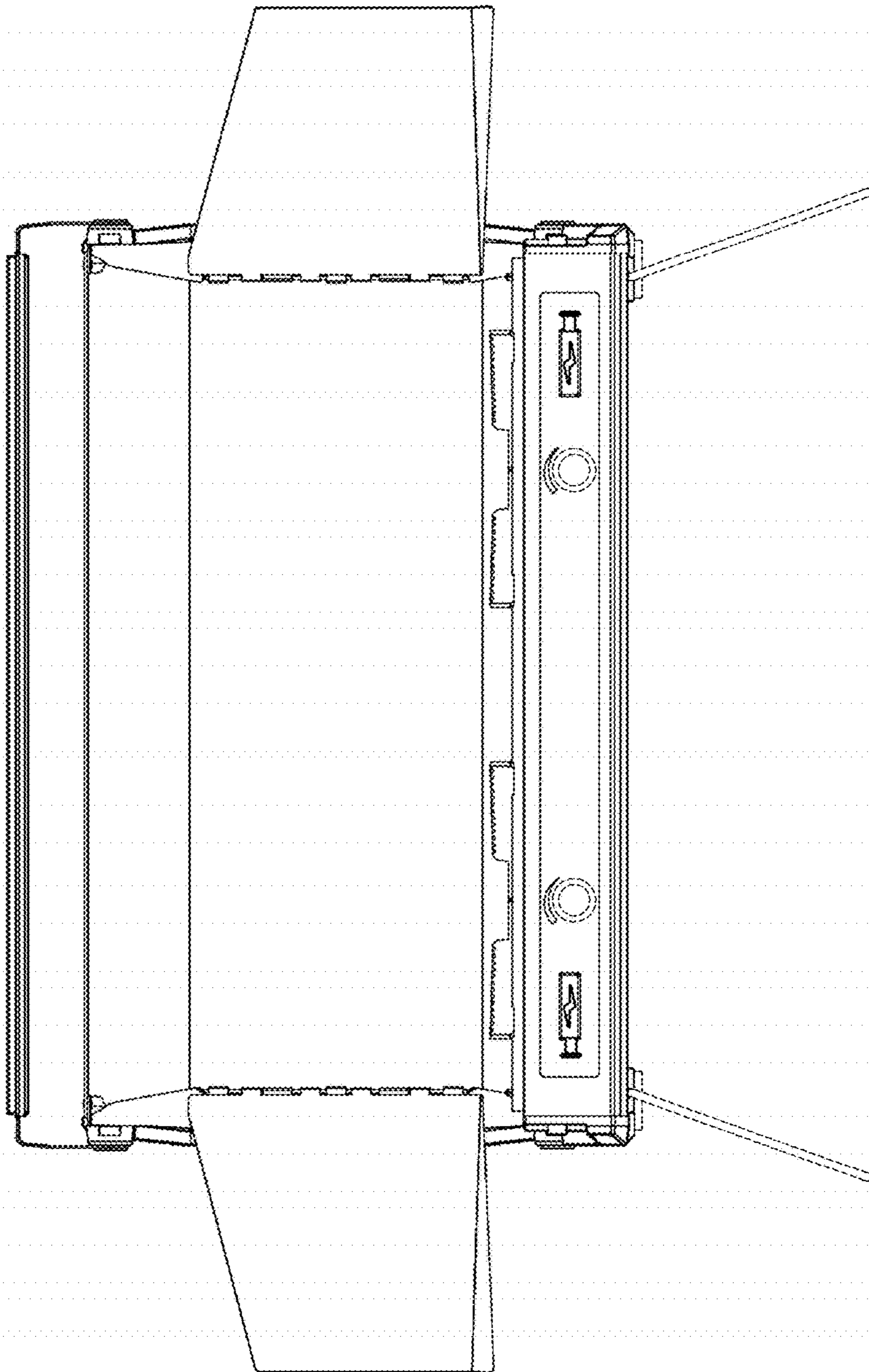


FIG. 53

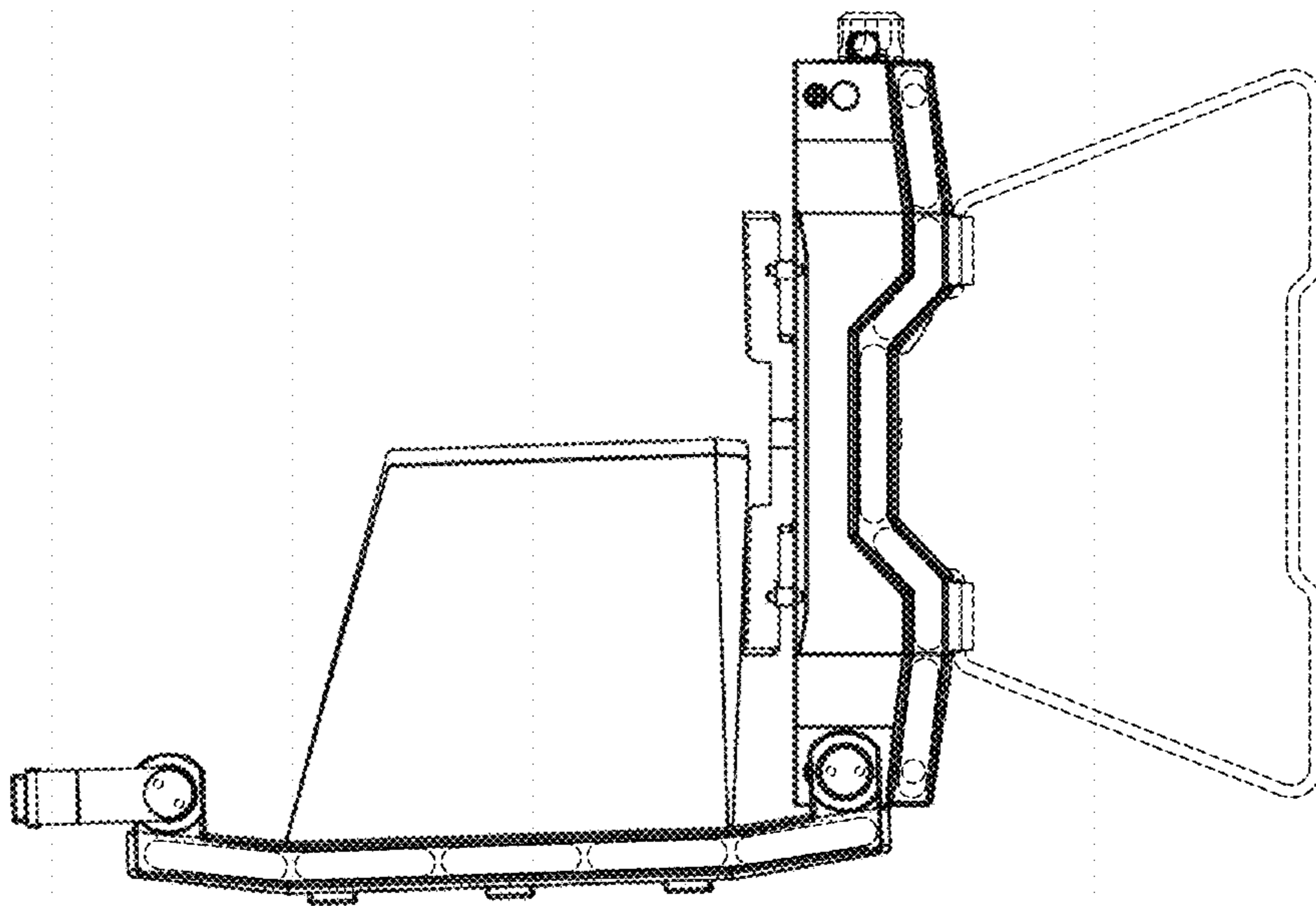


FIG. 54



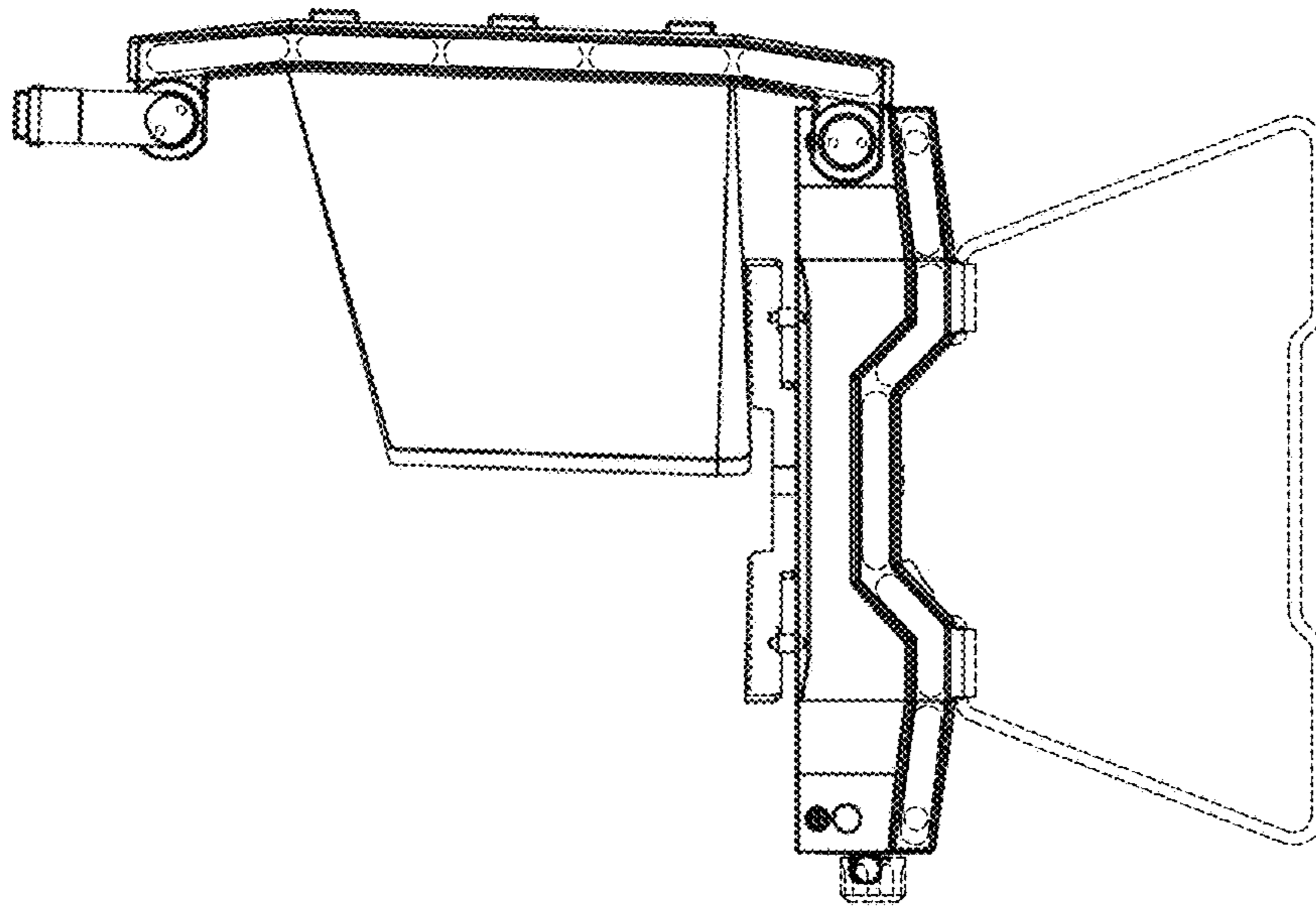


FIG. 55

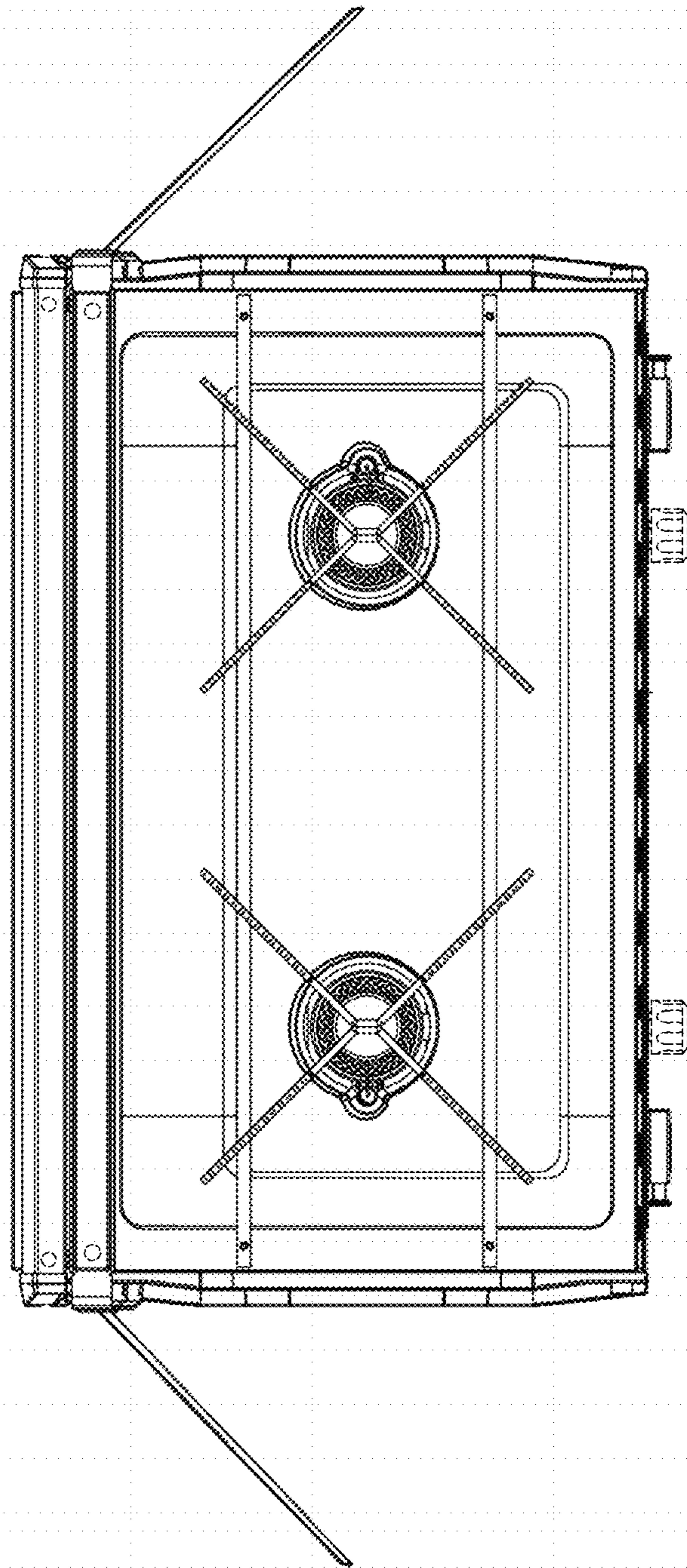


FIG. 56