



US00D828071S

(12) **United States Design Patent**
Dutrueil

(10) **Patent No.:** **US D828,071 S**
(45) **Date of Patent:** **** Sep. 11, 2018**

(54) **ELECTRIC GRILL**
(71) Applicant: **TEFAL**, Rumilly (FR)
(72) Inventor: **Laurent Dutrueil**, Dole (FR)
(73) Assignee: **TEFAL**, Rumilly (FR)
(**) Term: **15 Years**

D677,512 S * 3/2013 Bodum D7/337
8,783,242 B1 * 7/2014 Banas A47J 37/079
126/25 R
D793,793 S * 8/2017 Witsch D7/334
2004/0020484 A1 * 2/2004 Skidmore A47J 37/0763
126/25 R
2010/0218754 A1 * 9/2010 Kuntz A47J 37/0786
126/25 R

* cited by examiner

(21) Appl. No.: **29/585,139**
(22) Filed: **Nov. 21, 2016**

Primary Examiner — Susan B Hattan
Assistant Examiner — Brett A Miller
(74) *Attorney, Agent, or Firm* — Loeb & Loeb LLP

(30) **Foreign Application Priority Data**

May 30, 2016 (EM) 003161900-0001

(51) **LOC (11) Cl.** **07-02**
(52) **U.S. Cl.**
USPC **D7/332**

(58) **Field of Classification Search**
USPC D7/332–337, 402–411; 126/152 R, 25 R
CPC .. A47J 37/067; A47J 37/0694; A47J 37/0786;
A47J 37/0704; A47J 37/0713; A47J
37/0781; A47J 37/0777; A47J 37/0763;
A47J 37/0611; A47J 37/0709; A47J
37/0676; F24C 15/16
See application file for complete search history.

(56) **References Cited**

U.S. PATENT DOCUMENTS

D459,629 S * 7/2002 Pai D7/332
D675,862 S * 2/2013 Bodum D7/337

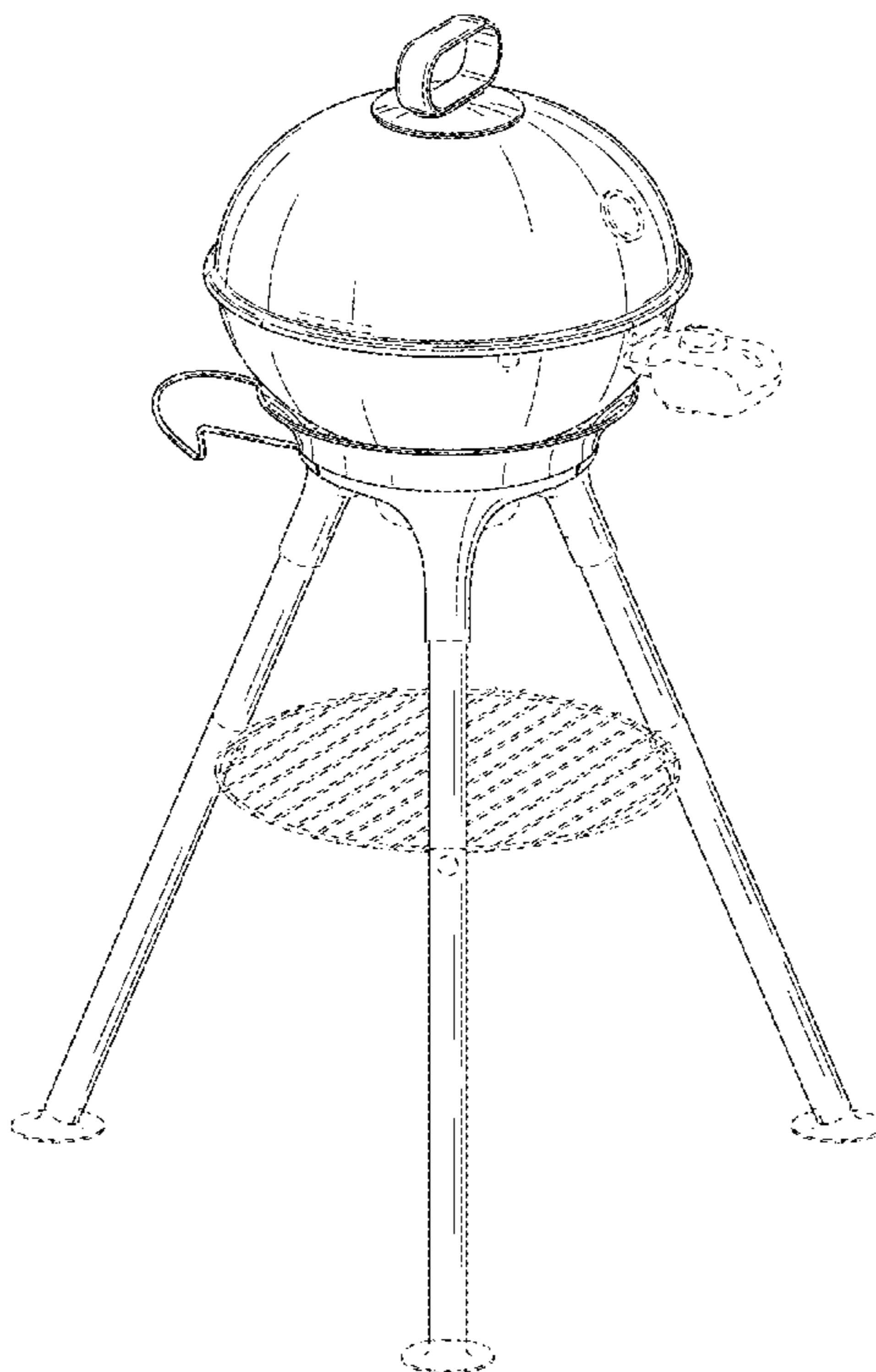
(57) **CLAIM**

The ornamental design for an electric grill, as shown and described.

DESCRIPTION

FIG. 1 is a perspective view of an electric grill showing my new design;
FIG. 2 is a front elevational view thereof;
FIG. 3 is a rear elevational view thereof;
FIG. 4 is a right side elevational view thereof;
FIG. 5 is a left side elevational view thereof;
FIG. 6 is a top view thereof; and,
FIG. 7 is a bottom view thereof.
The broken lines in the figures depict portions of the electric grill that form no part of the claimed design.

1 Claim, 7 Drawing Sheets



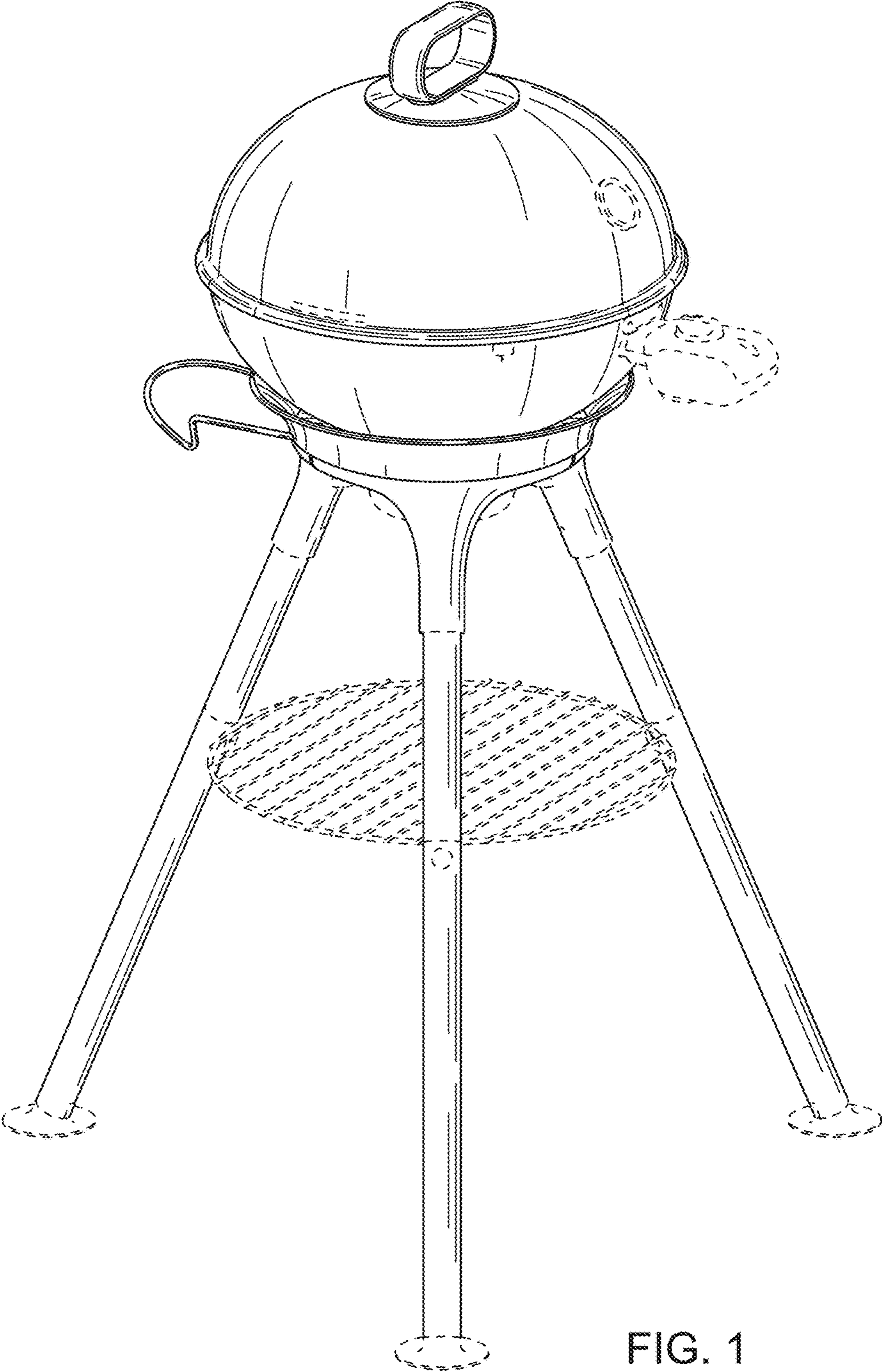


FIG. 1

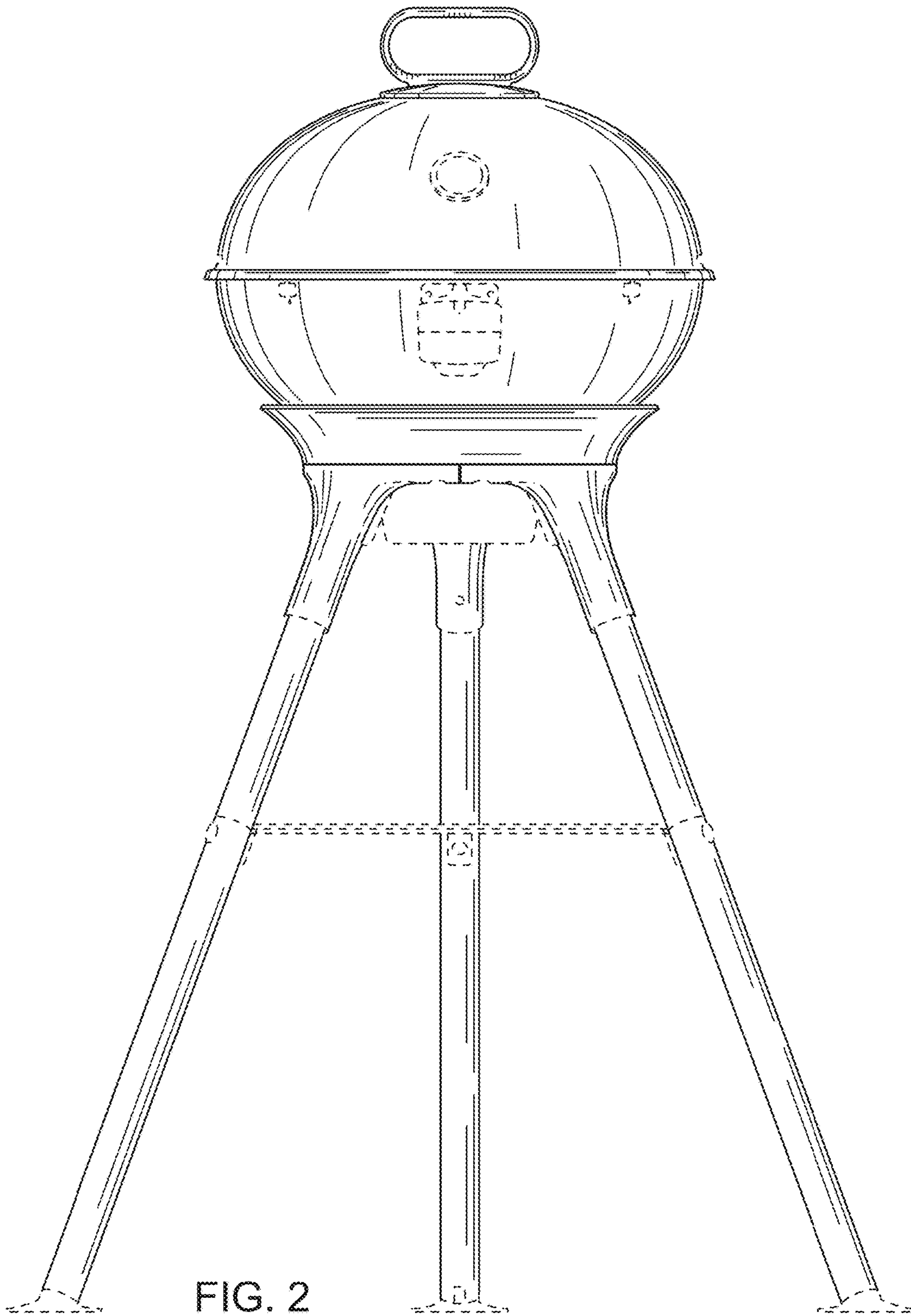
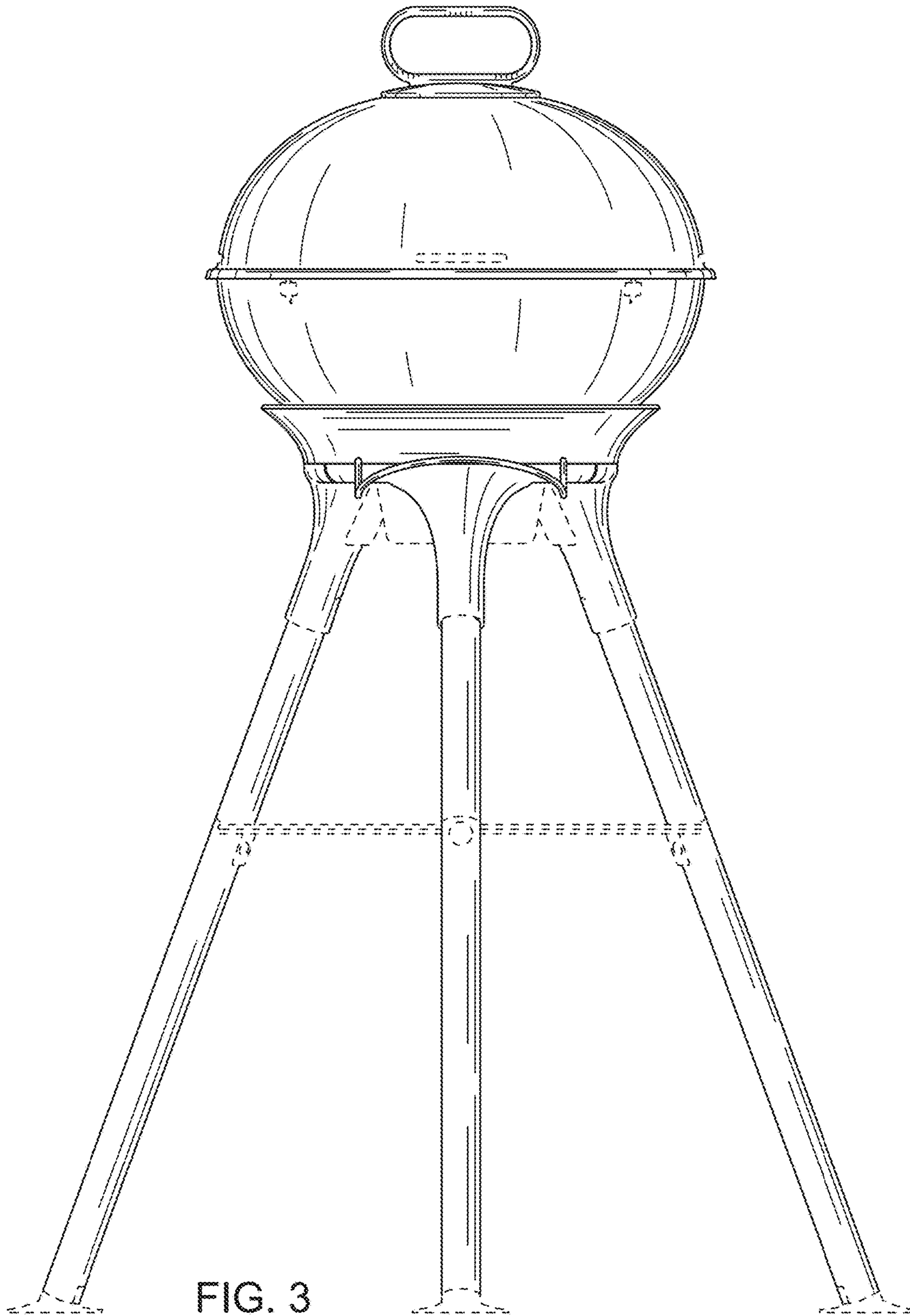


FIG. 2



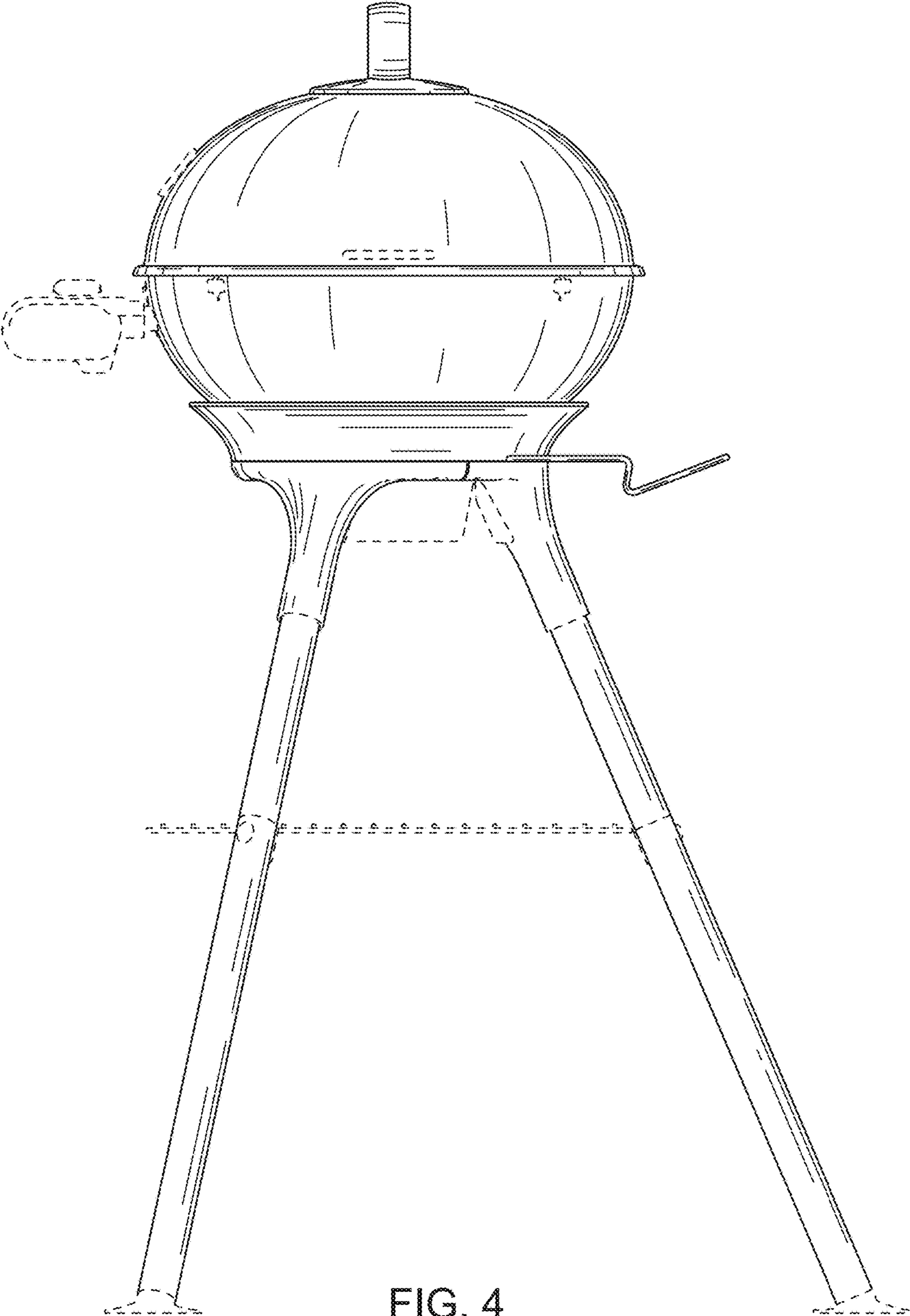


FIG. 4

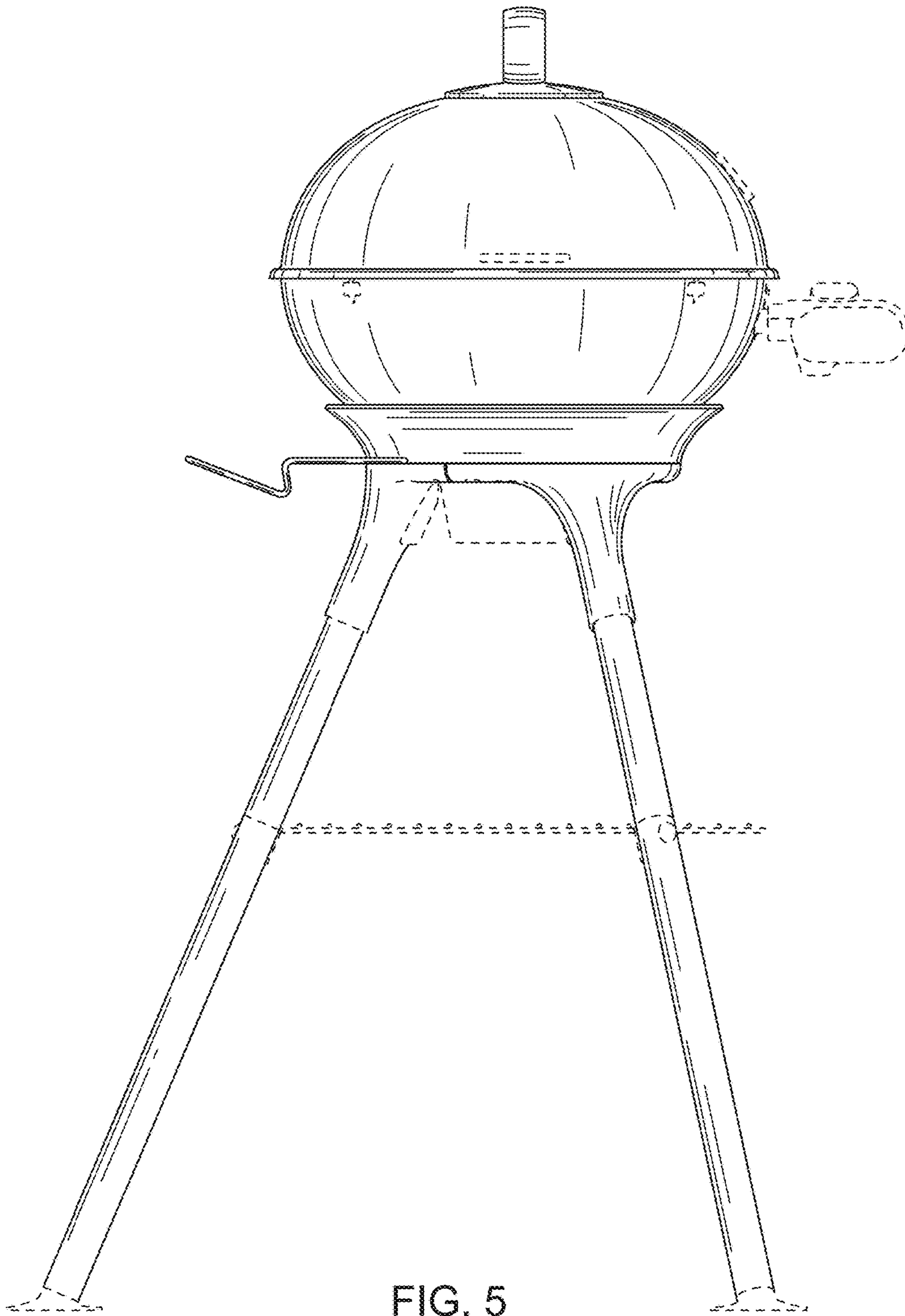


FIG. 5

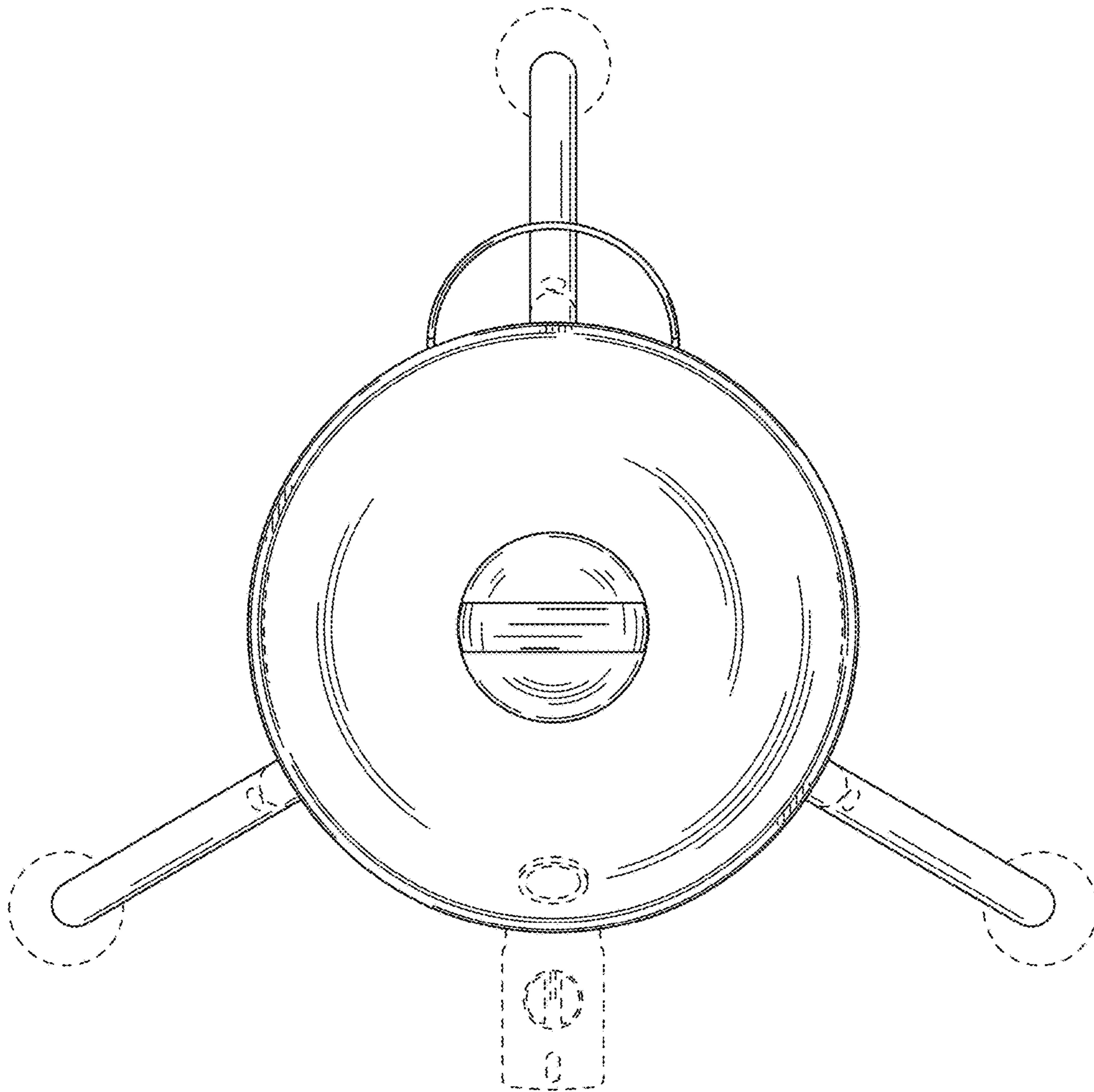


FIG. 6

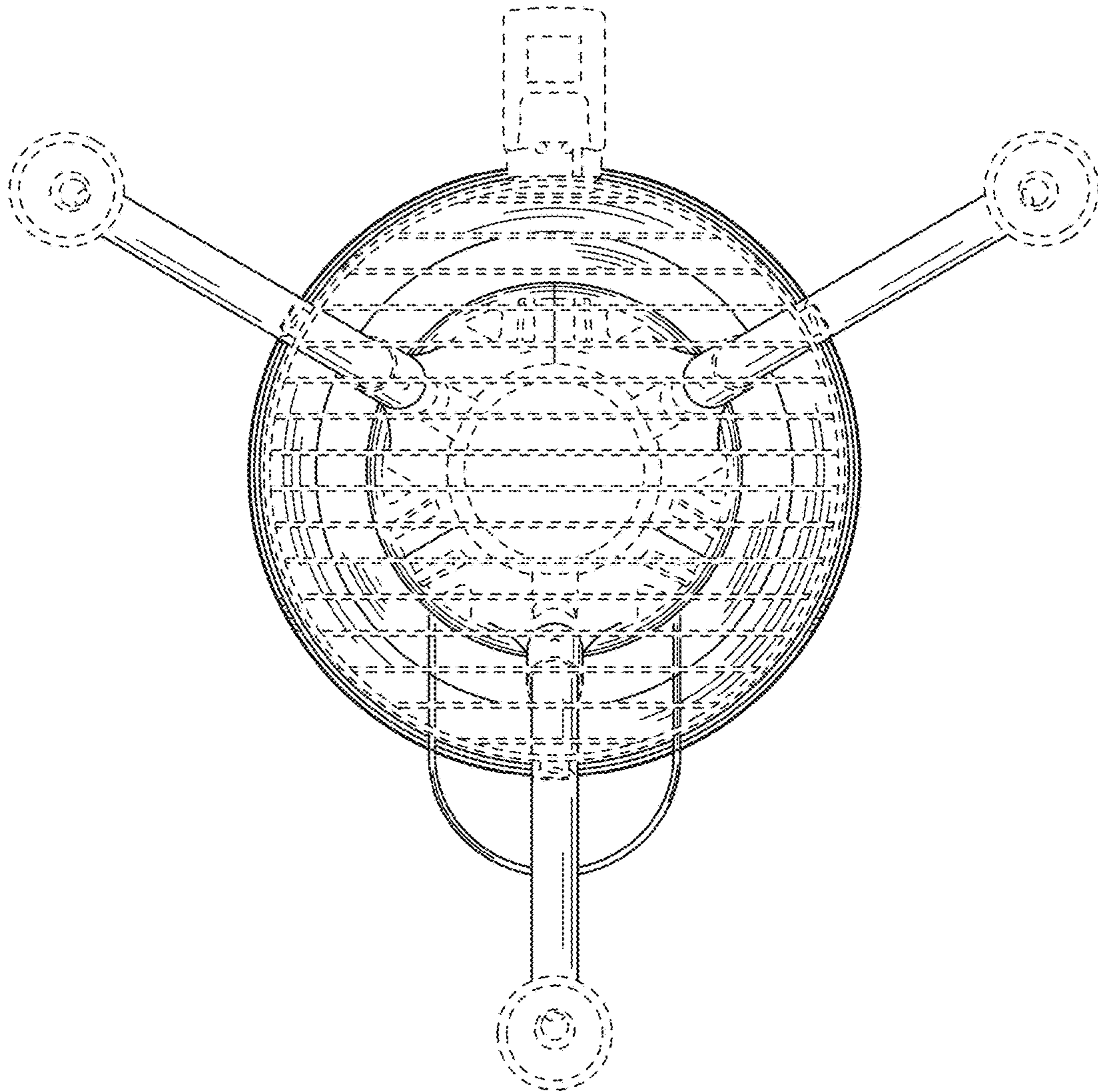


FIG. 7