



US00D828070S

(12) **United States Design Patent** (10) **Patent No.:** **US D828,070 S**  
**Wastney et al.** (45) **Date of Patent:** **\*\* Sep. 11, 2018**

(54) **KETTLE**  
(71) Applicants: **Alexander Wastney**, Auckland (NZ);  
**Daniel Huang**, Taipei (TW)  
(72) Inventors: **Alexander Wastney**, Auckland (NZ);  
**Daniel Huang**, Taipei (TW)  
(73) Assignee: **HELEN OF TROY LIMITED**, St.  
Michael (BB)  
(\*\*) Term: **15 Years**  
(21) Appl. No.: **29/598,241**  
(22) Filed: **Mar. 23, 2017**  
(51) **LOC (11) Cl.** ..... **07-01**  
(52) **U.S. Cl.**  
USPC ..... **D7/321**  
(58) **Field of Classification Search**  
USPC ..... D7/300, 302, 309-312, 316-319, 322,  
D7/333  
CPC ..... A47G 19/14; A47J 27/21; A47J 27/21008;  
A47J 27/21041  
See application file for complete search history.

D683,584 S \* 6/2013 Gross ..... D7/321  
D686,034 S \* 7/2013 Bodum ..... D7/317  
D788,511 S \* 6/2017 Powell ..... D7/318  
D796,888 S \* 9/2017 Miller ..... D23/212  
2017/0280913 A1\* 10/2017 Tseng ..... A47J 27/21175

\* cited by examiner

*Primary Examiner* — Derrick Holland  
*Assistant Examiner* — Andrew Kerr

(57) **CLAIM**

The ornamental design for a kettle, as shown, and described.

**DESCRIPTION**

FIG. 1 is a perspective view of a kettle showing our new design;  
FIG. 2 is a right side view thereof;  
FIG. 3 is a left side view thereof;  
FIG. 4 is a front view thereof;  
FIG. 5 is a rear view thereof;  
FIG. 6 is a top view thereof; and,  
FIG. 7 is a bottom view thereof.  
The broken lines depict unclaimed environment and form no part of the claimed design.

(56) **References Cited**  
U.S. PATENT DOCUMENTS  
D490,639 S \* 6/2004 Kling ..... D7/317  
D603,647 S \* 11/2009 Bodum ..... D7/317

**1 Claim, 7 Drawing Sheets**





FIG. 1

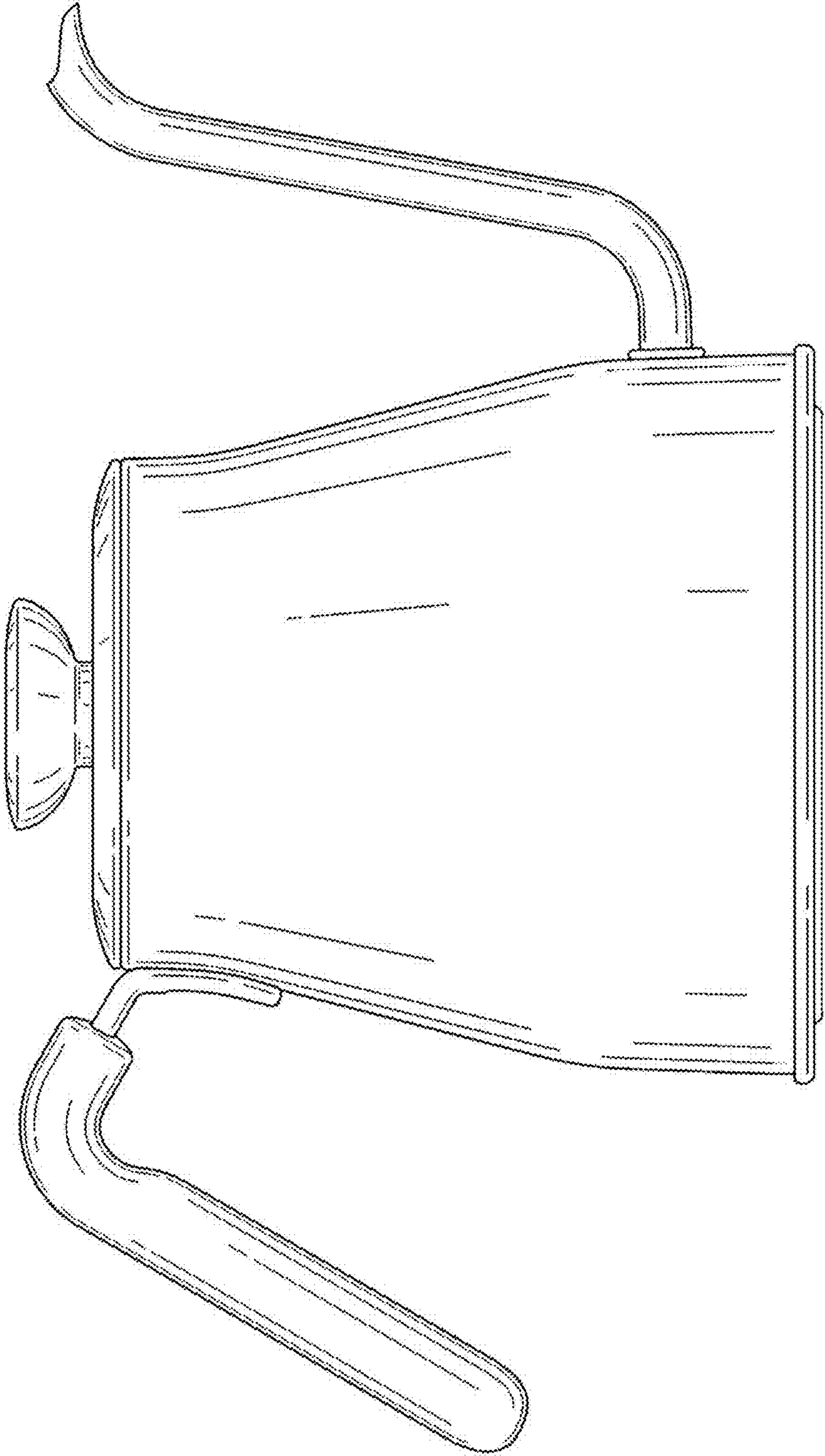


FIG. 2



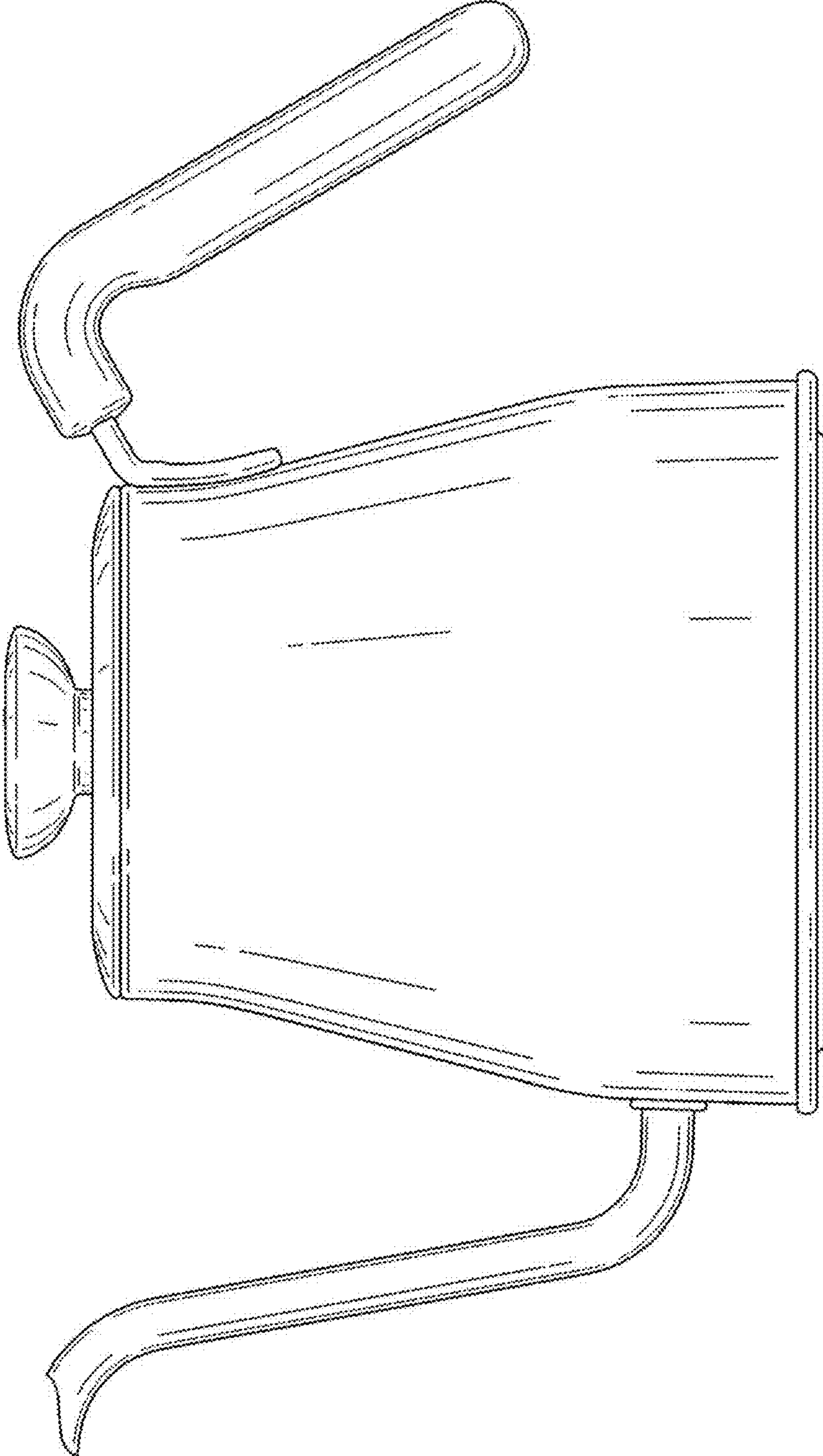


FIG. 3

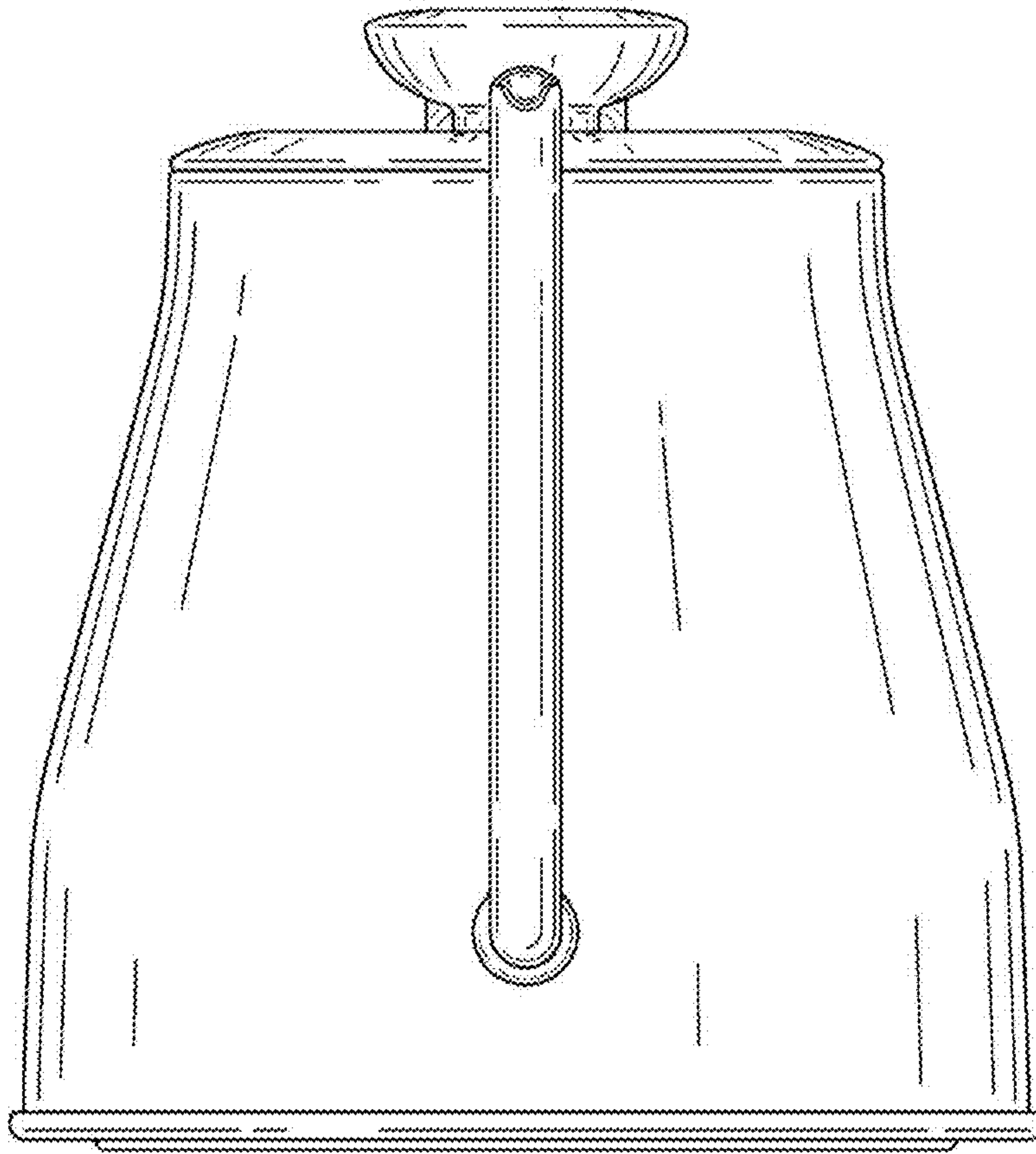


FIG. 4

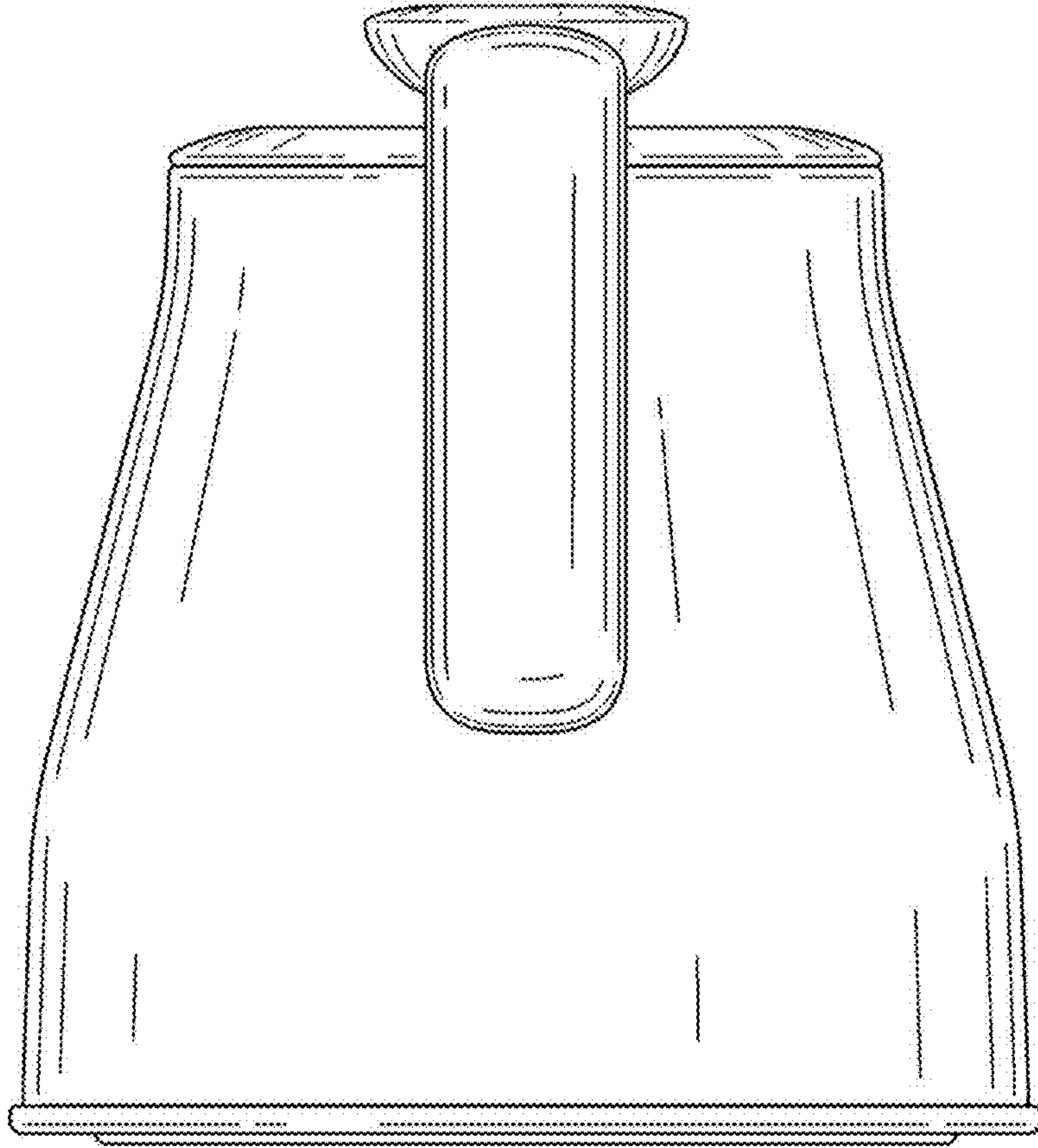


FIG. 5

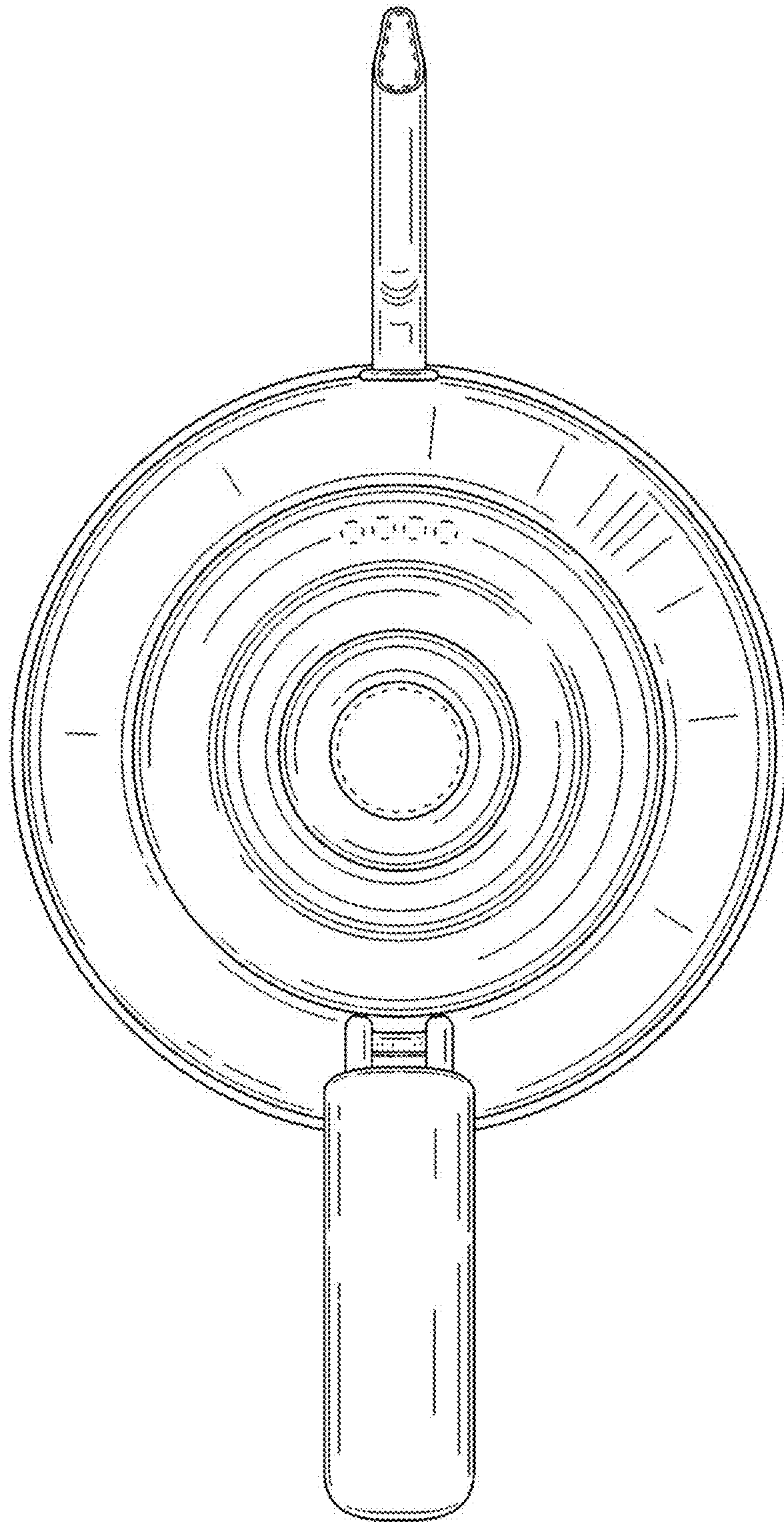


FIG. 6



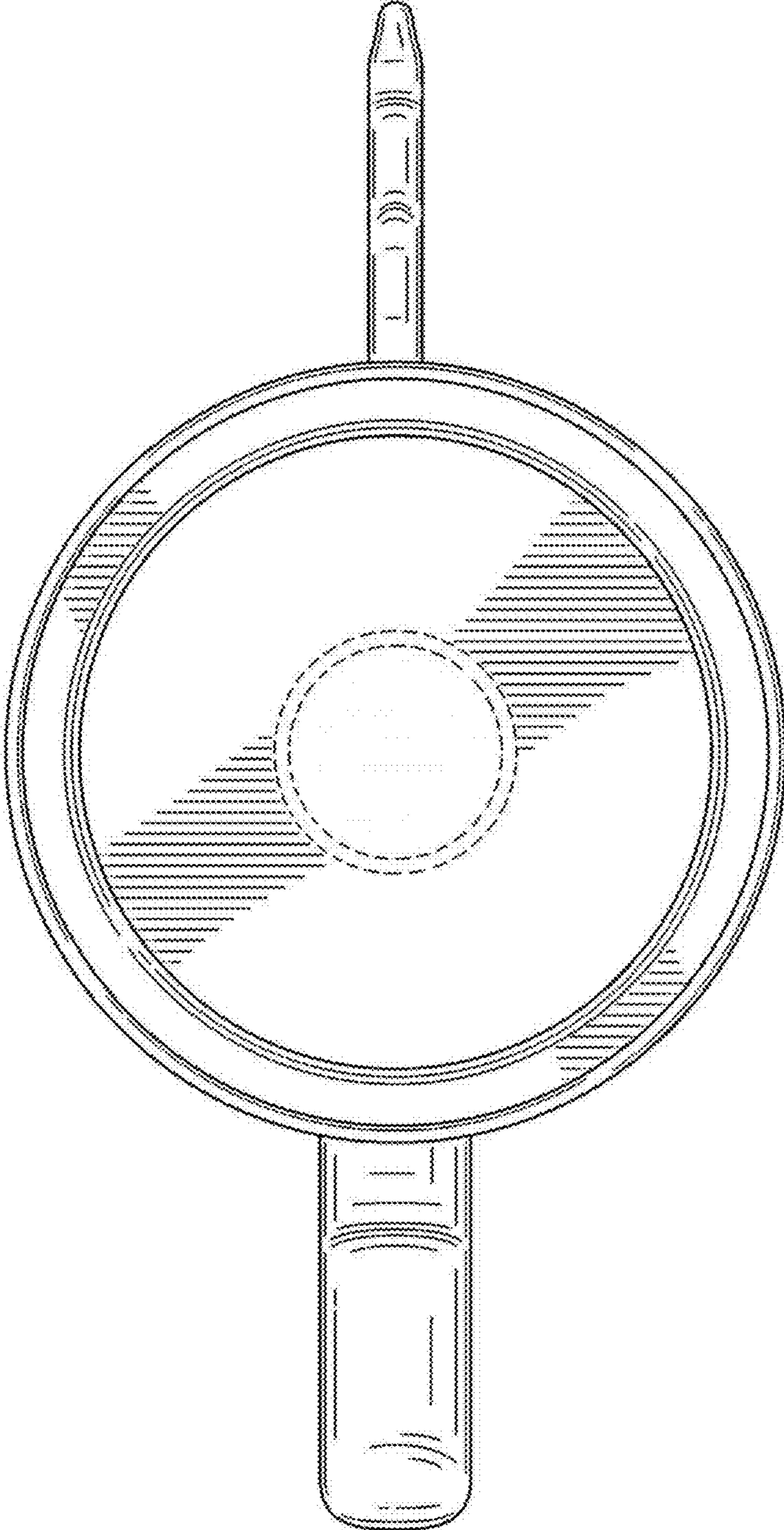


FIG. 7