



US00D828068S

(12) **United States Design Patent** (10) **Patent No.:** **US D828,068 S**
Tsui (45) **Date of Patent:** **** Sep. 11, 2018**

(54) **COLLAPSIBLE BEVERAGE CONTAINER**

D242,074 S * 10/1976 Kulp D17/19
4,428,507 A * 1/1984 Sneider A61J 1/05
222/105
D329,167 S * 9/1992 Robbins, III D7/300

(71) Applicant: **Sam Tung Tsui**, Kowloon (HK)

(72) Inventor: **Sam Tung Tsui**, Kowloon (HK)

(**) Term: **15 Years**

(21) Appl. No.: **29/622,891**

(22) Filed: **Oct. 20, 2017**

(51) **LOC (11) Cl.** **07-01**

(52) **U.S. Cl.**
USPC **D7/313; D7/312; D7/306**

(58) **Field of Classification Search**
USPC D7/300, 312, 313, 306, 512; 220/666
CPC B65D 21/086; A61J 1/05
See application file for complete search history.

(56) **References Cited**

U.S. PATENT DOCUMENTS

- 1,224,519 A * 5/1917 Brenner et al. B65D 21/086
126/43
- 1,260,779 A * 3/1918 Koos B65D 21/086
220/731
- 1,296,742 A * 3/1919 Bevington B65D 21/086
220/8
- 1,574,495 A * 2/1926 Look B67D 3/0029
222/159
- 1,724,743 A 8/1929 Allen
- D110,613 S * 7/1938 Doughty D7/300
- 2,899,110 A 8/1959 Parker
- 3,143,429 A * 8/1964 Swanson A61J 9/005
215/11.3
- 3,220,544 A * 11/1965 Lovell A61J 7/0046
206/218
- 3,329,298 A * 7/1967 Demas B65D 21/086
220/8
- D210,307 S * 2/1968 Branscum D7/313
- 3,471,058 A * 10/1969 Latham B65D 21/086
190/107
- D236,170 S * 7/1975 Birrell D7/311

OTHER PUBLICATIONS

Normann Copenhagen, Strainer blue, Funnel & Strainer, 6 pages, visited Dec. 19, 2013, available at <http://www.normann-copenhagen.com/products/strainer>.

Primary Examiner — Marianne Pandozzi
(74) *Attorney, Agent, or Firm* — Hinshaw & Culbertson LLP

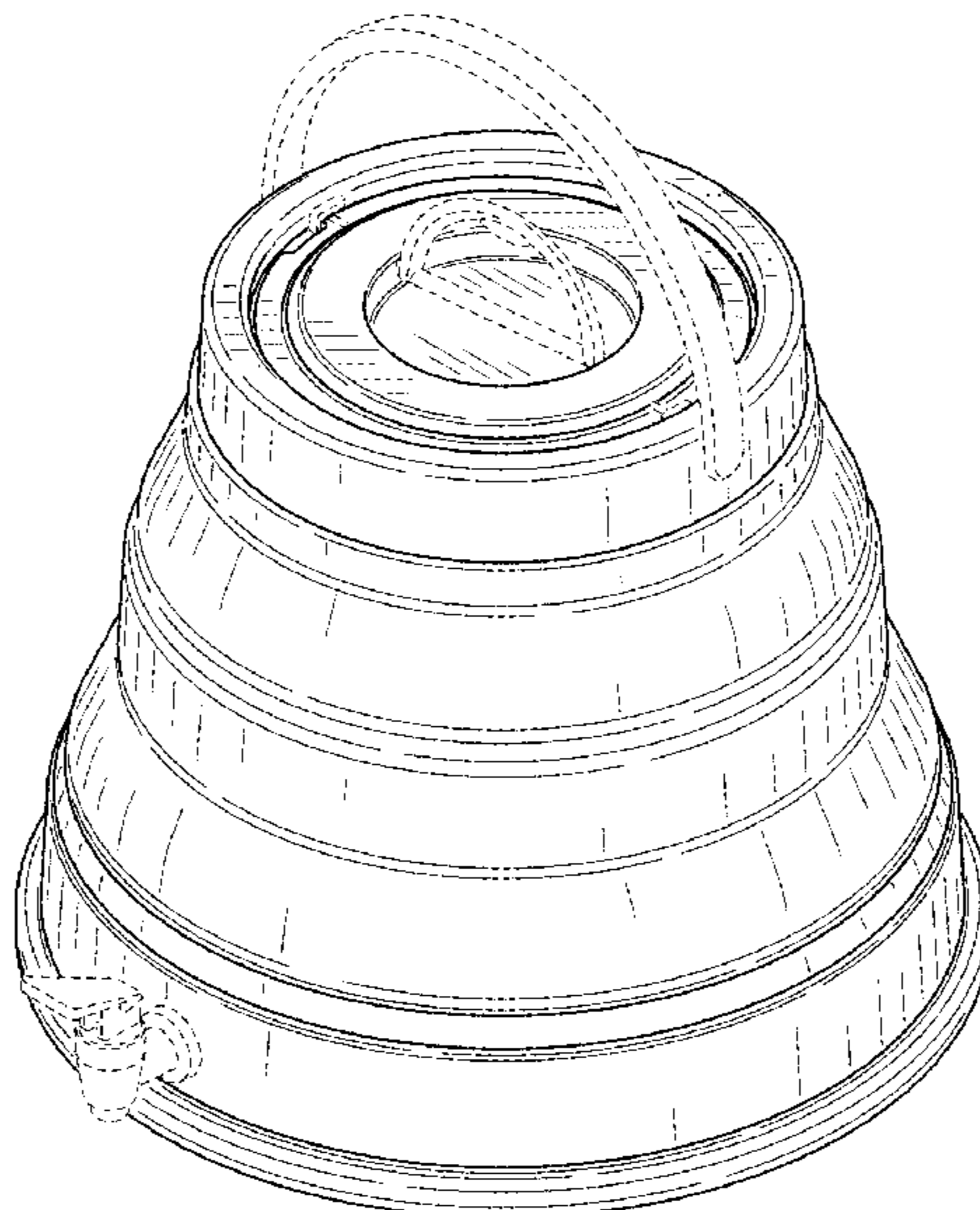
(57) **CLAIM**

I claim the ornamental design for a collapsible beverage container, as shown and described.

DESCRIPTION

FIG. 1 is a top front perspective view of a collapsible beverage container showing my new design in open in use position;
 FIG. 2 is a front view thereof;
 FIG. 3 is a right side view thereof, the left side view being a mirror image thereof;
 FIG. 4 is a rear view thereof;
 FIG. 5 is a top plan view thereof;
 FIG. 6 is a bottom plan view thereof in both open and collapsed position;
 FIG. 7 is a top front perspective view of the collapsible beverage container in collapsed position;
 FIG. 8 is a front view thereof;
 FIG. 9 is a right side view thereof, the left side view being a mirror image thereof;
 FIG. 10 is a rear view thereof; and,
 FIG. 11 is a top plan view thereof.
 The broken lines in the drawing depict environmental subject matter only and form no part of the claimed design.

1 Claim, 7 Drawing Sheets



(56)

References Cited

U.S. PATENT DOCUMENTS

D329,168 S *	9/1992	Robbins, III	D7/300	D692,715 S	11/2013	Tsui	
D329,169 S *	9/1992	Robbins, III	D7/300	D706,134 S *	6/2014	Sory D9/435
D335,744 S *	5/1993	Small	D23/205	D716,094 S *	10/2014	Wang D7/306
D344,657 S *	3/1994	Knopp	D7/313	8,887,942 B2	11/2014	Miksovsky et al.	
5,384,138 A	1/1995	Robbins, III et al.			D724,905 S	3/2015	Tsui	
D356,713 S *	3/1995	Groover	D7/306	D731,225 S *	6/2015	Peterson D7/306
D360,100 S *	7/1995	Van Den Berghe	D7/306	9,044,082 B2	6/2015	Kusuma et al.	
D378,055 S *	2/1997	Waldon	D7/313	9,119,507 B2 *	9/2015	Abrams A47J 41/0022
D386,933 S *	12/1997	Browne	D7/306	D749,373 S	2/2016	Tsui	
5,900,293 A	5/1999	Zettle			D802,852 S *	11/2017	Baker D30/132
6,354,456 B2	3/2002	Rapson			2006/0096929 A1	5/2006	Repp et al.	
6,705,471 B2	3/2004	Kataoka			2007/0023439 A1	2/2007	Vaughn	
6,736,285 B2	5/2004	Stewart-Stand			2007/0290466 A1	12/2007	Lenz	
D529,749 S *	10/2006	Allen	D7/306	2009/0032153 A1	2/2009	Burnett	
D574,673 S	8/2008	Tsui			2009/0050429 A1	2/2009	Adams, Jr.	
7,654,402 B2	2/2010	Kusuma et al.			2011/0248037 A1	10/2011	Fung	
7,678,271 B2	3/2010	Curtin			2011/0272419 A1	11/2011	Vanderberg et al.	
D615,826 S	5/2010	Tsui			2012/0205371 A1	8/2012	Lee	
7,819,263 B1	10/2010	DiCarlo-Nelson			2013/0206800 A1	8/2013	Simonsen	
D656,800 S	4/2012	Lee et al.			2013/0277364 A1	10/2013	Kusuma	
D658,949 S	5/2012	Tsui			2013/0284753 A1 *	10/2013	Kellmann B65F 1/02 220/666
8,215,230 B2	7/2012	Curtin			2015/0251795 A1	9/2015	Tsui	
D668,148 S *	10/2012	Sory	D9/435	2015/0251808 A1	9/2015	Tsui	
					2015/0291309 A1	10/2015	McGregor	
					2016/0347503 A1	12/2016	Tsui	

* cited by examiner

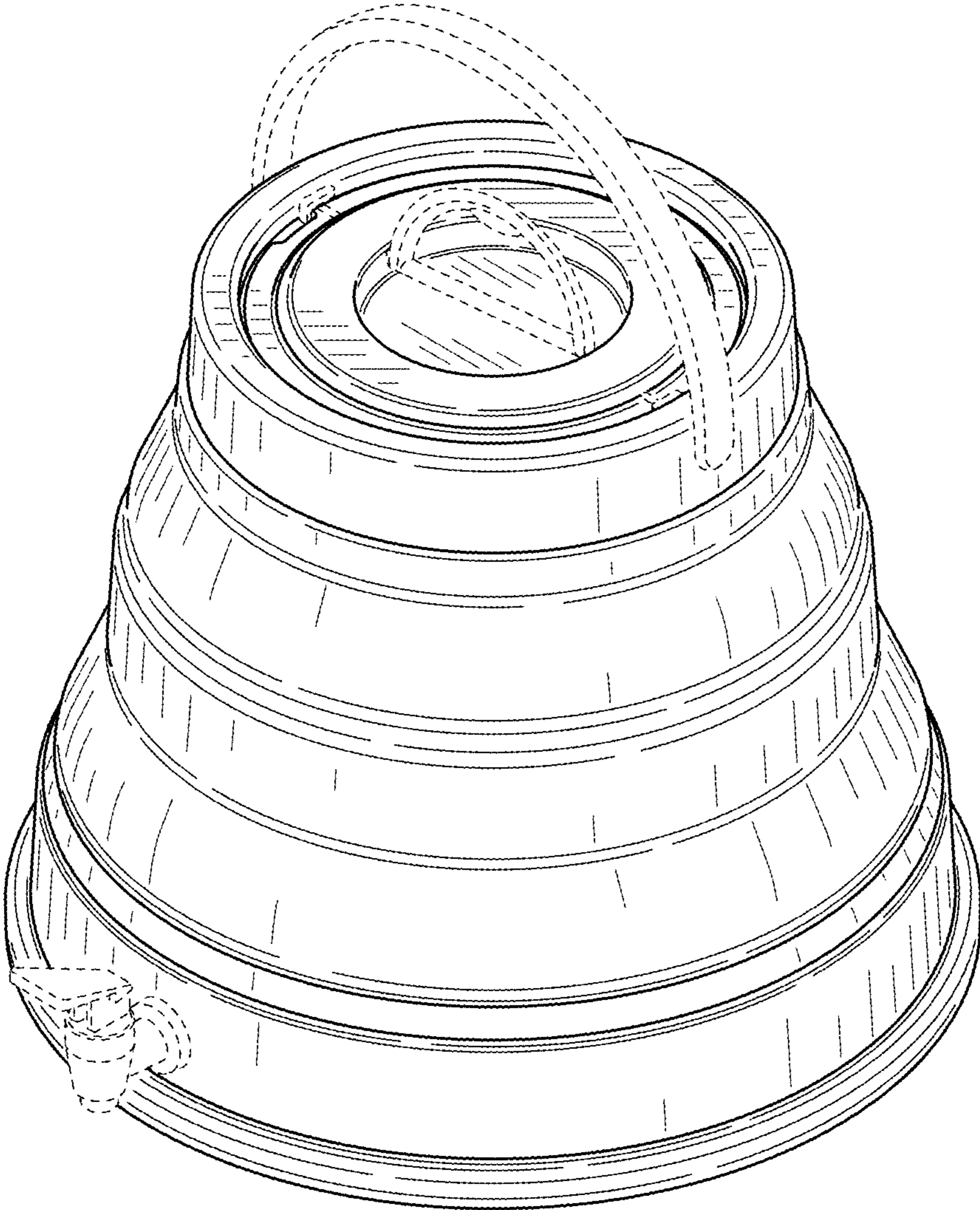


FIG. 1

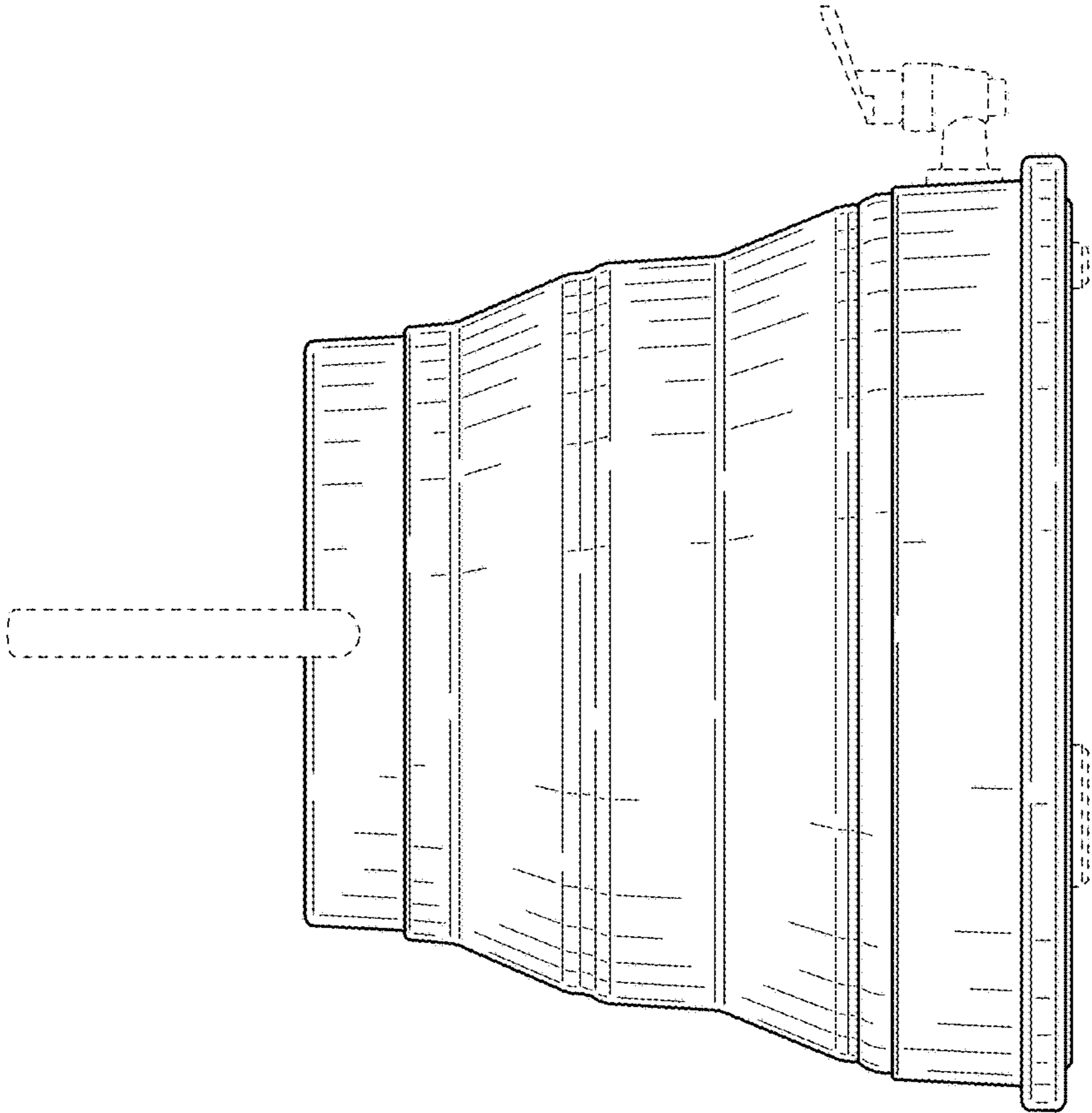


FIG. 2

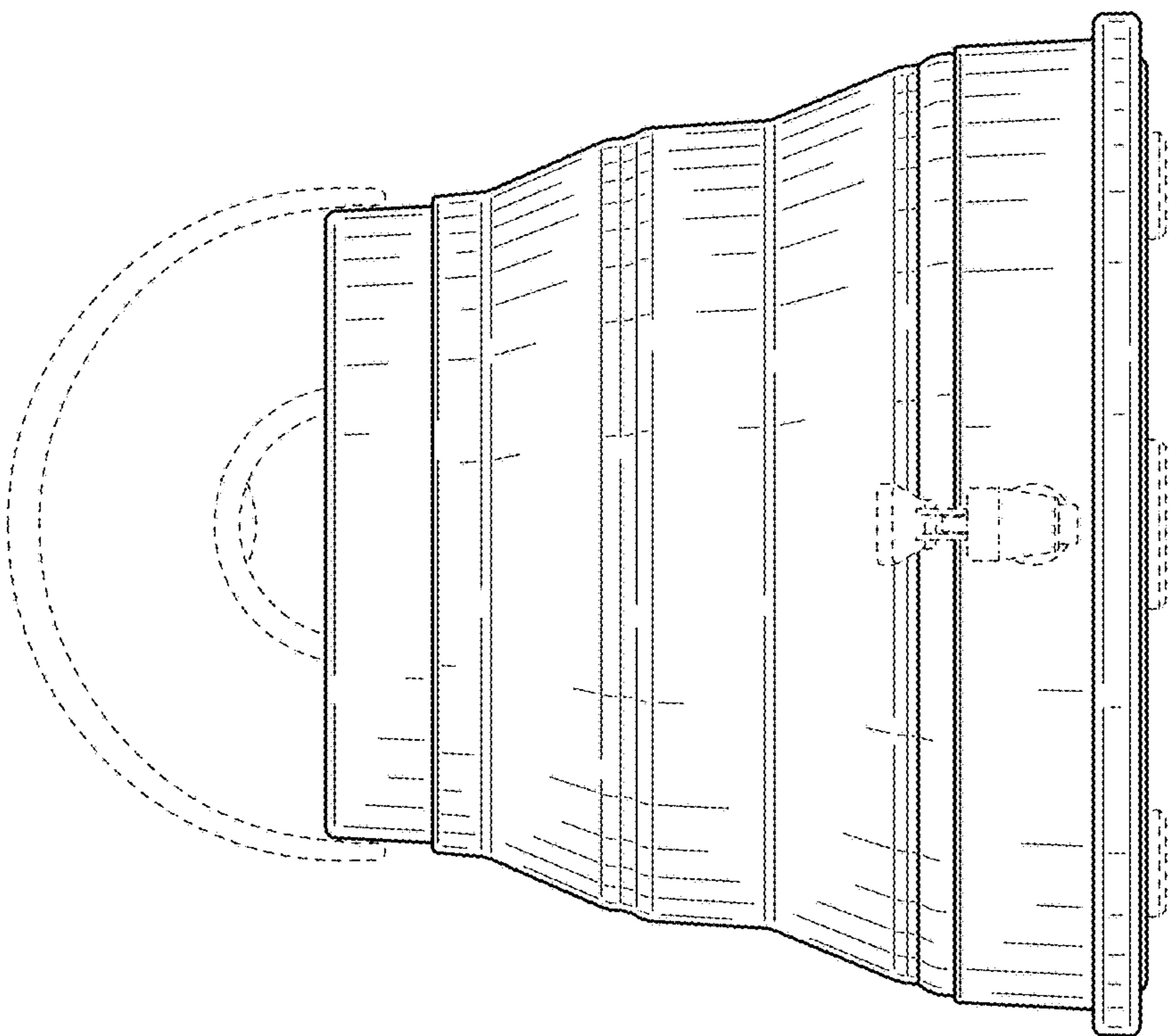


FIG. 3

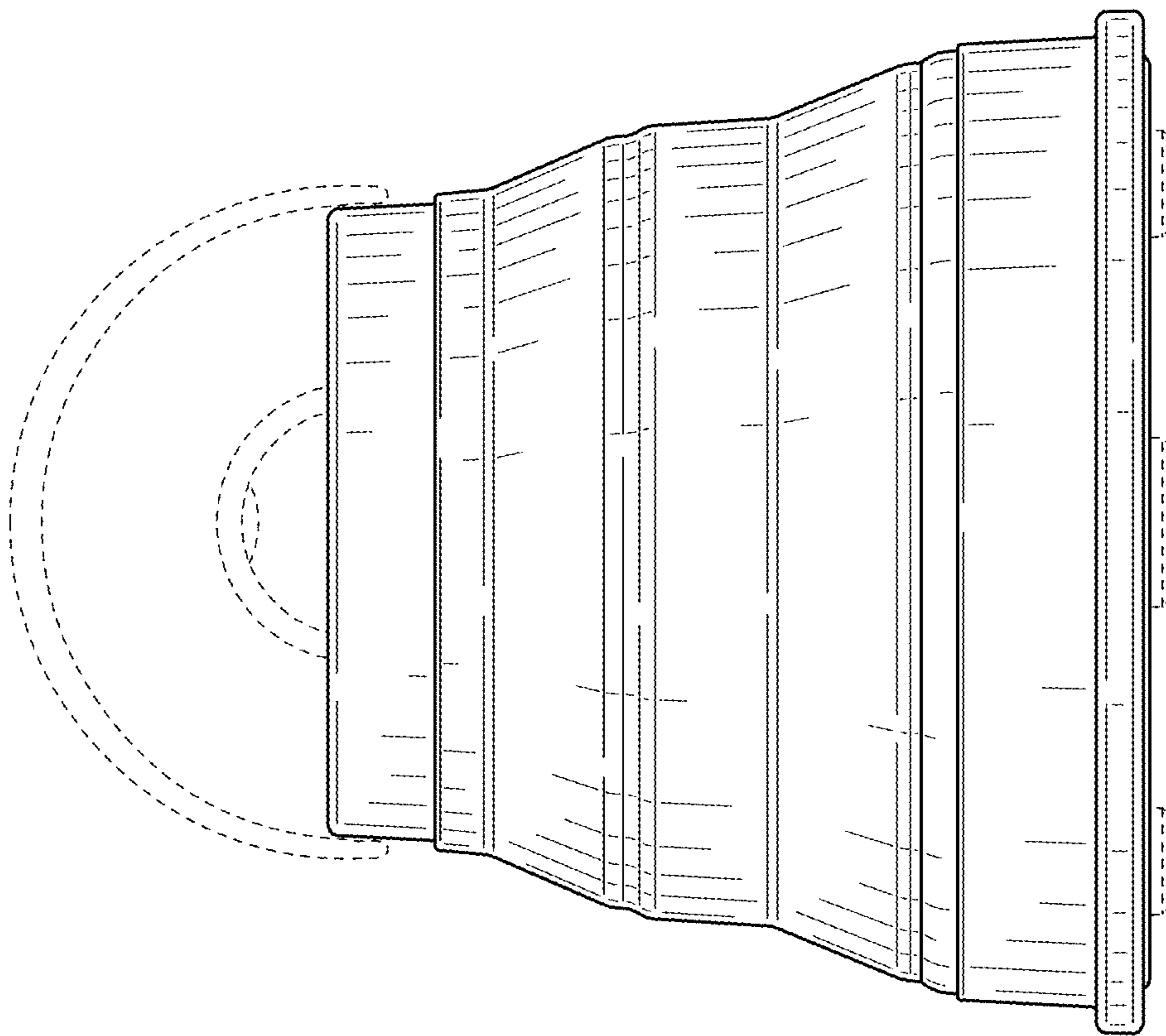


FIG. 4

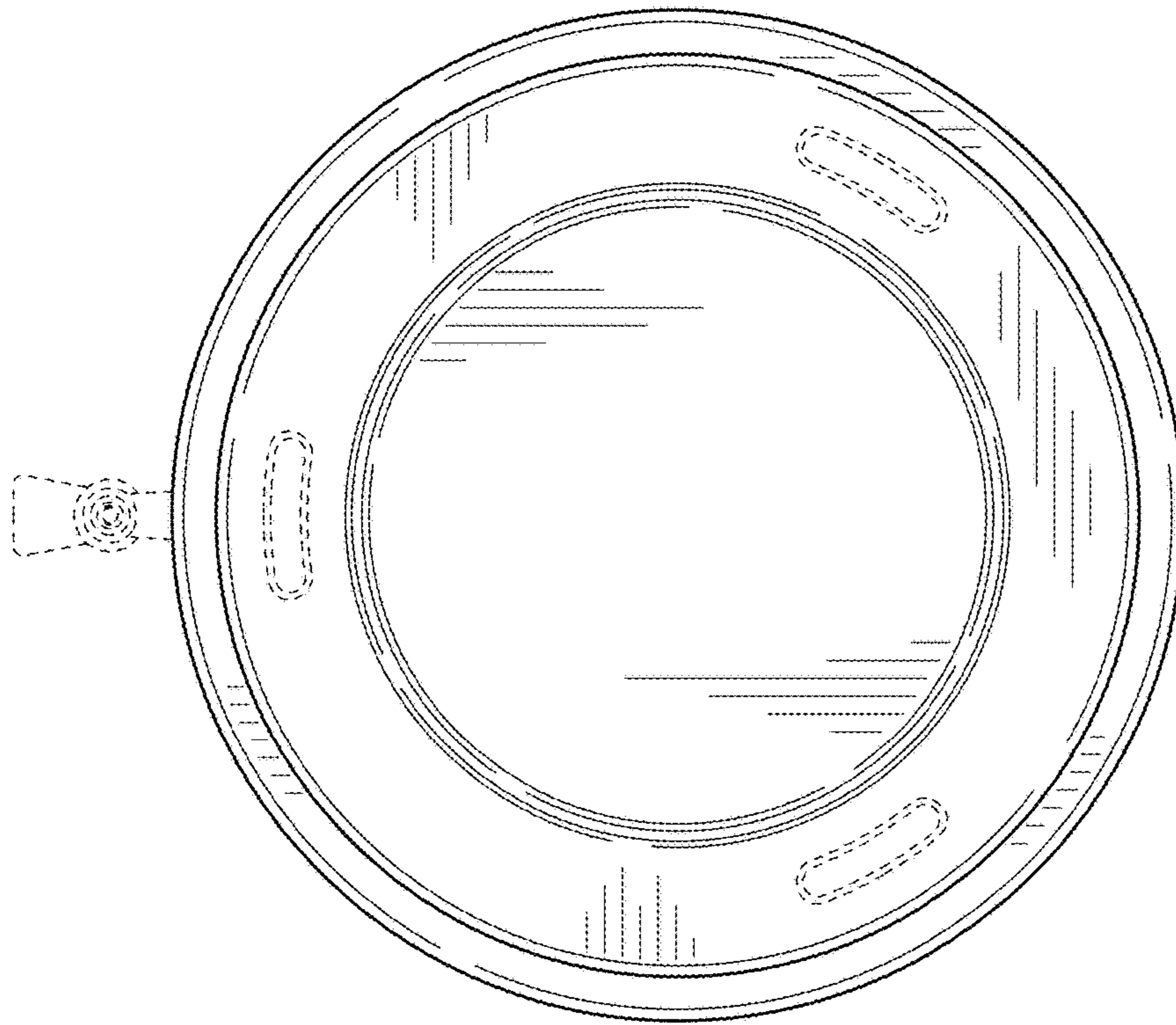


FIG. 6

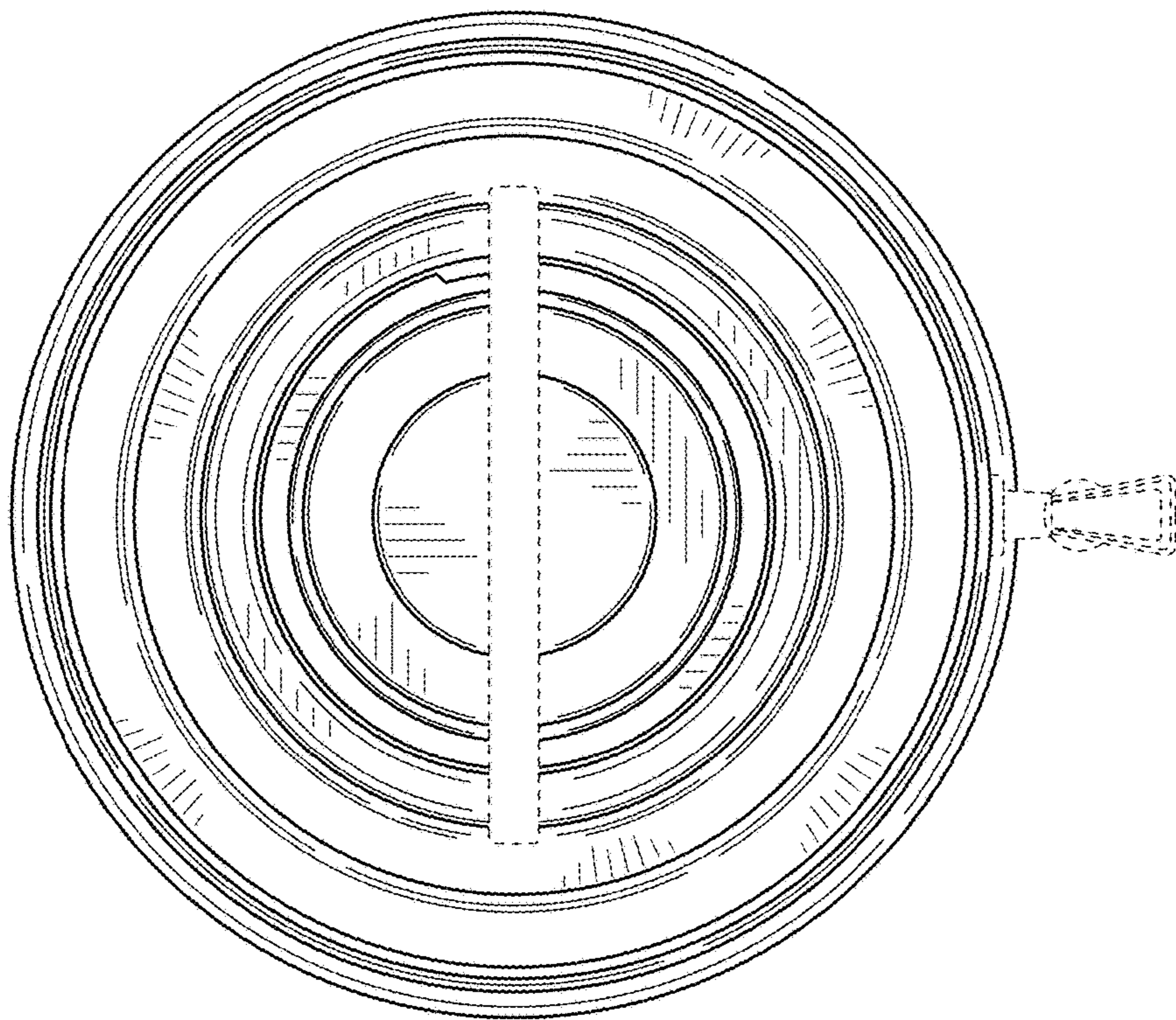


FIG. 5

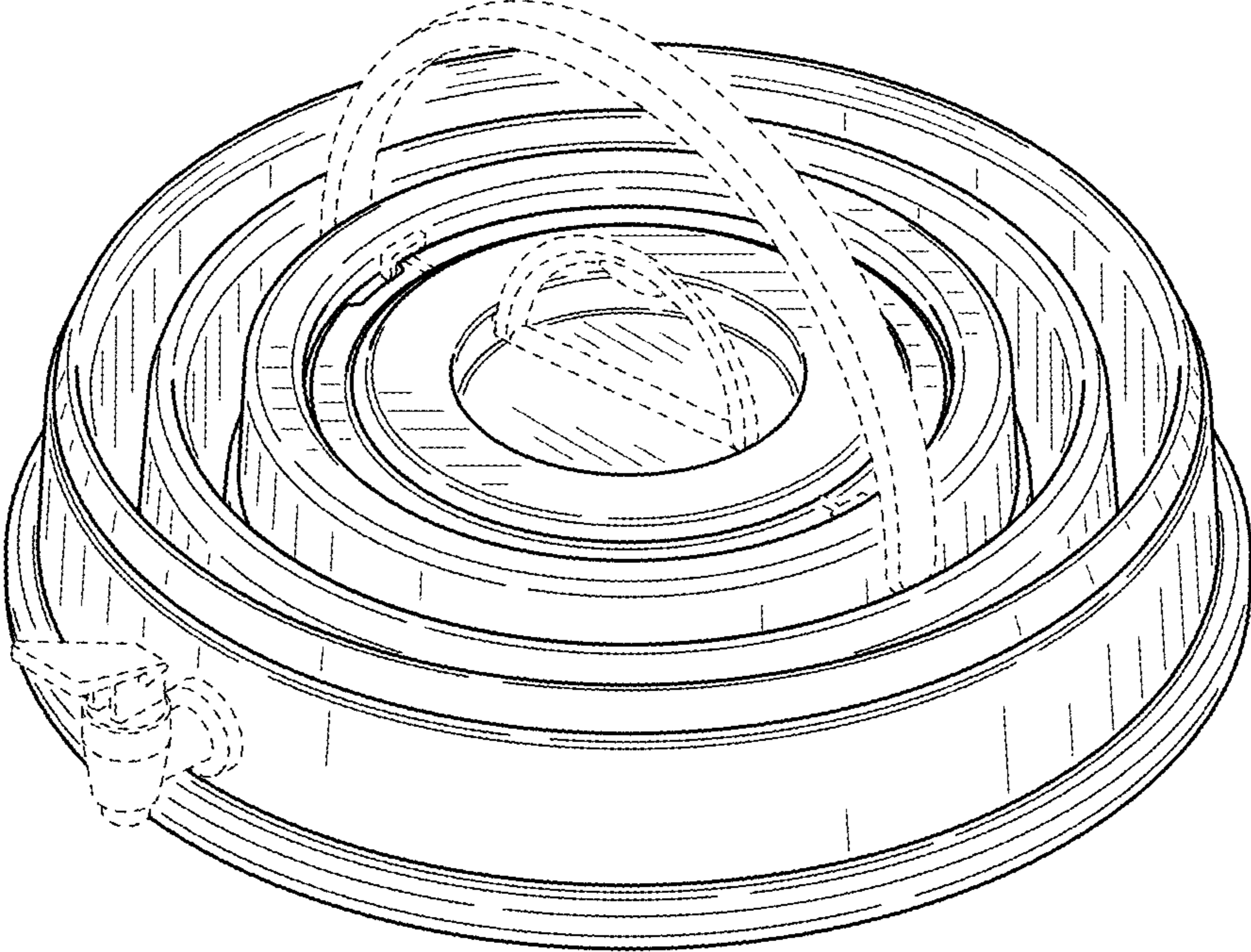


FIG. 7

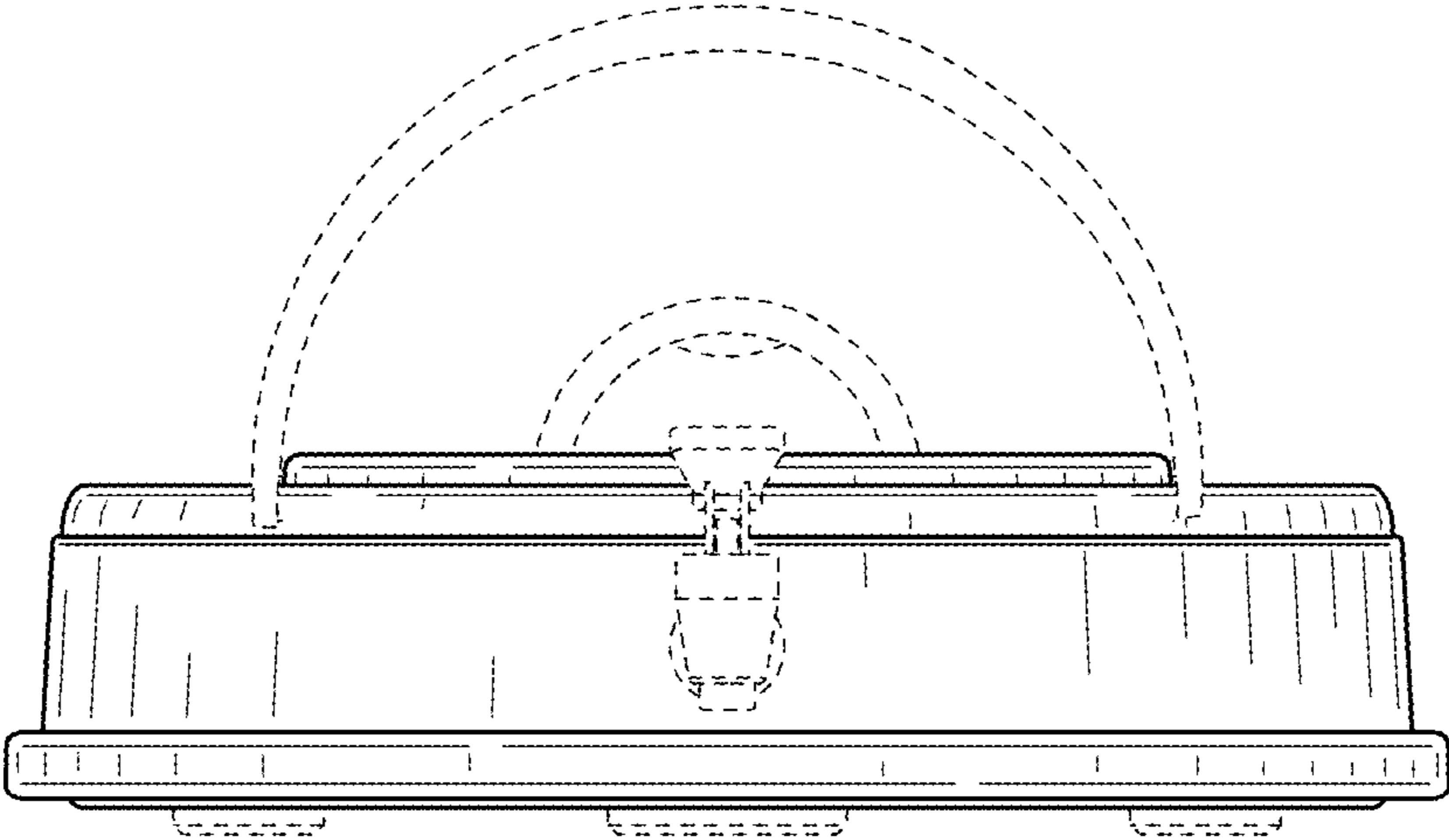


FIG. 8

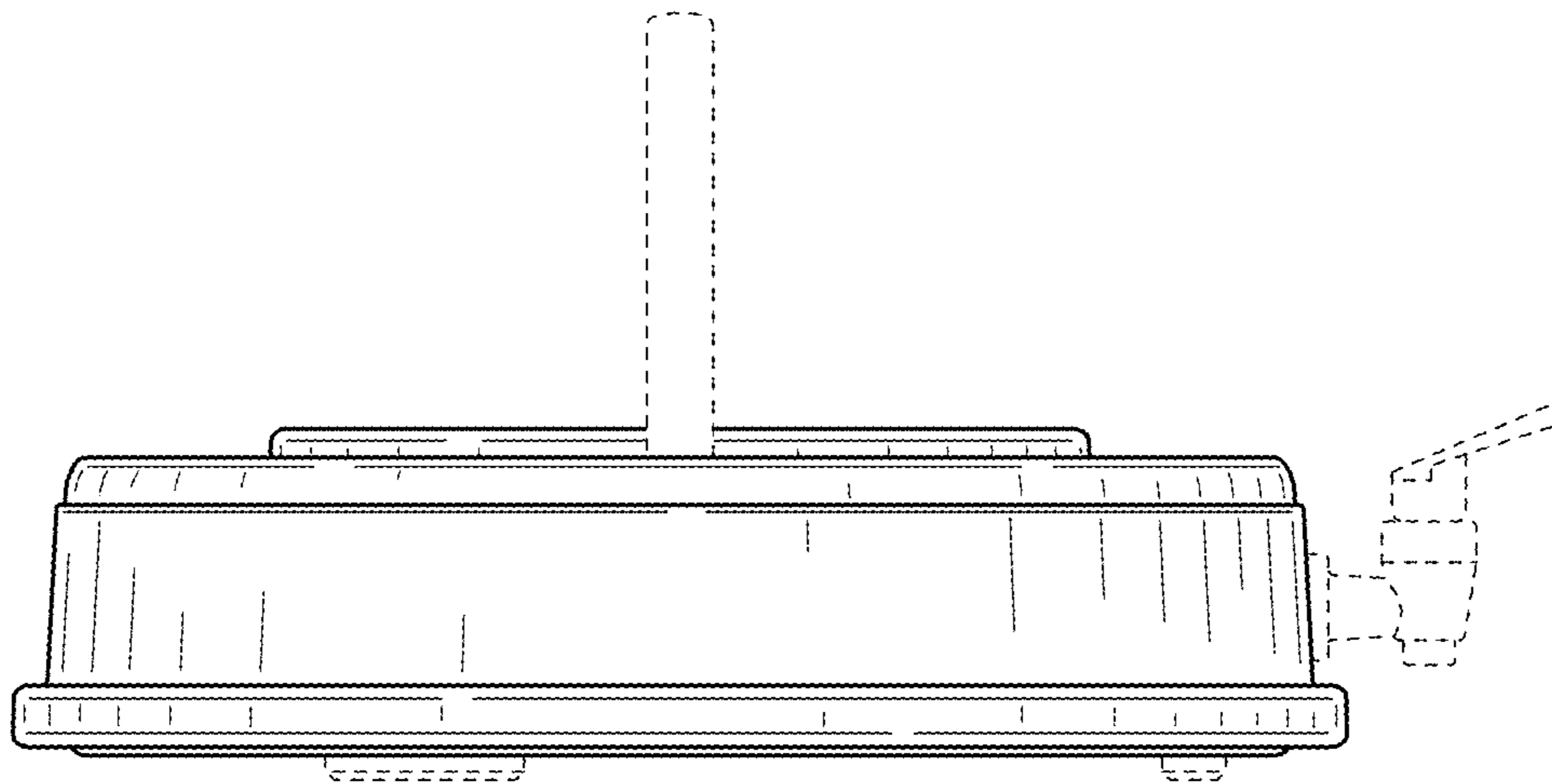


FIG. 9

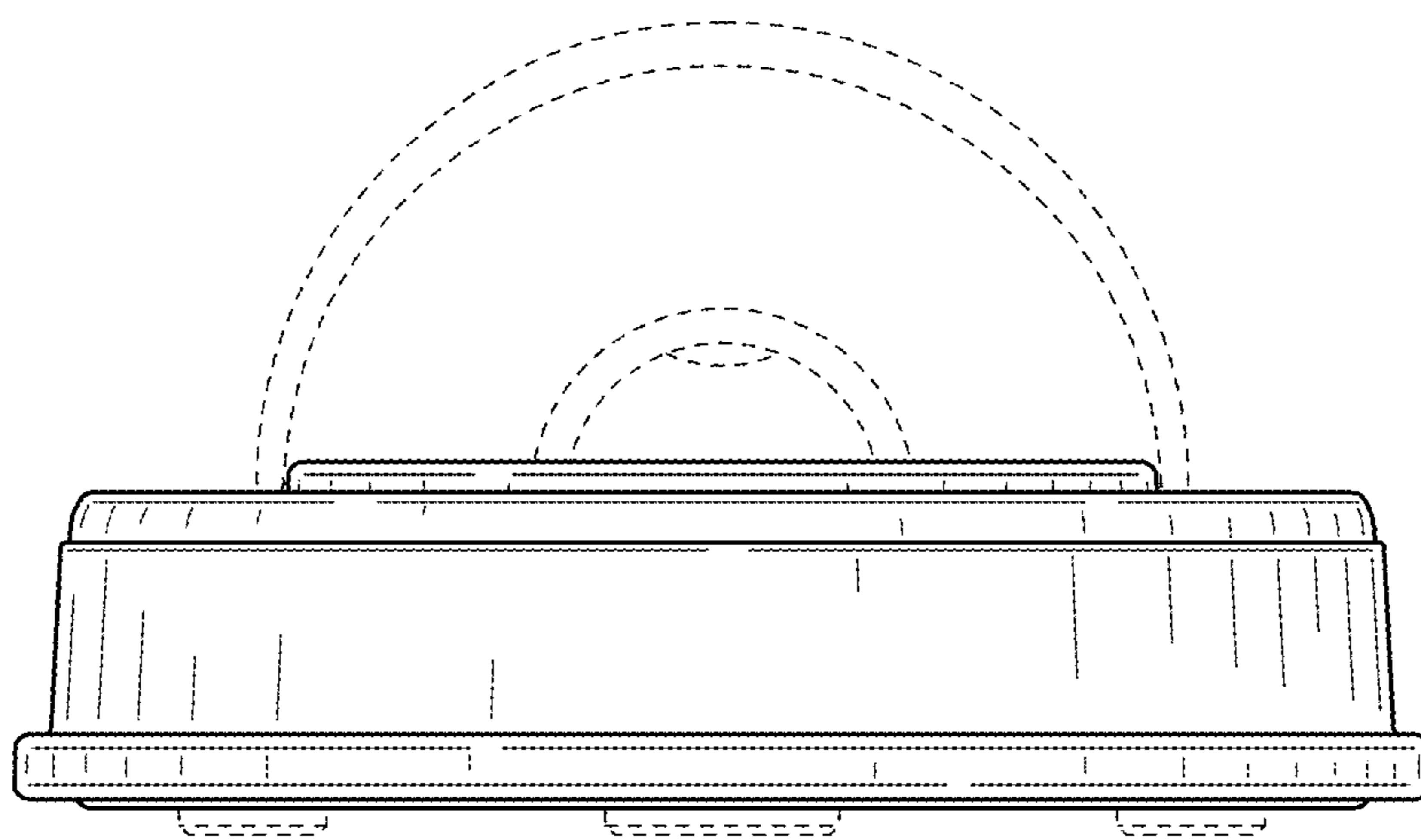


FIG. 10

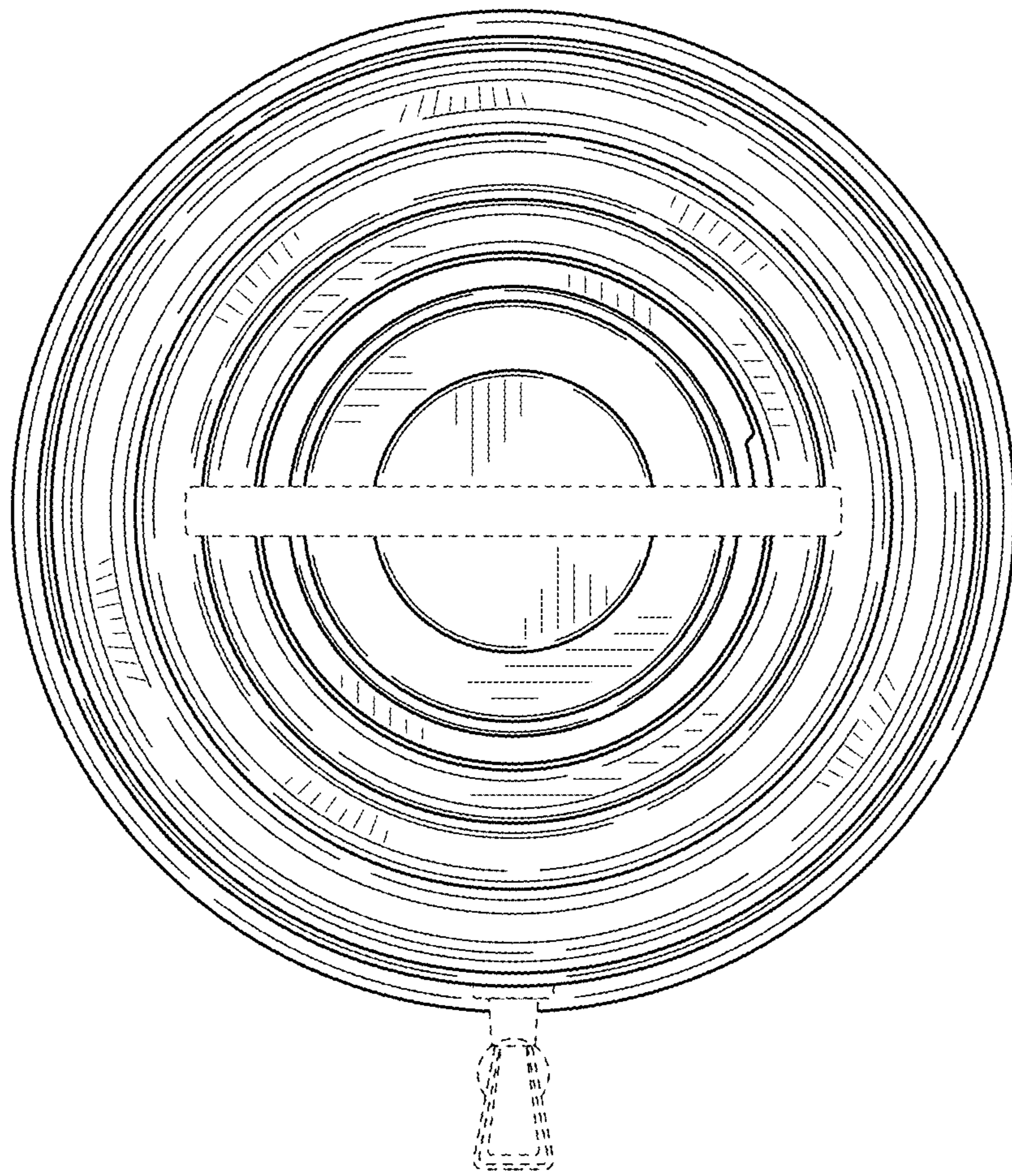


FIG. 11