



US00D828066S

(12) **United States Design Patent**  
**Han et al.**

(10) **Patent No.:** **US D828,066 S**  
(45) **Date of Patent:** **\*\* Sep. 11, 2018**

(54) **BREWING MACHINE WITH MULTIPLE BREWERS**

(71) Applicant: **Adagio Teas, Inc.**, Elmwood Park, NJ (US)

(72) Inventors: **Allen M. Han**, Mountain View, CA (US); **Chung-Ming Ying**, Taichung (TW); **I-Hsuan Tsai**, Taichung (TW)

(\*\*) Term: **15 Years**

(21) Appl. No.: **29/597,132**

(22) Filed: **Mar. 14, 2017**

(51) **LOC (11) Cl.** ..... **07-01**

(52) **U.S. Cl.**  
USPC ..... **D7/307**

(58) **Field of Classification Search**  
USPC ..... D7/300, 305-308, 311-313, 321, 322, D7/387, 391, 392, 397, 589, 590  
CPC .. A47J 31/44; A47J 31/00; A47J 31/46; A47J 31/10

See application file for complete search history.

(56) **References Cited**

**U.S. PATENT DOCUMENTS**

2,956,418	A *	10/1960	McCann	.....	F25D 31/002	165/132
D243,737	S	3/1977	Painter			
D367,989	S *	3/1996	Mills	.....	D7/300	
D408,208	S	4/1999	Hsu			
D484,734	S *	1/2004	Drobeck	.....	D7/309	
D499,926	S	12/2004	Cahen			
D545,608	S	7/2007	Picozza et al.			
D573,392	S	7/2008	Smith			
D589,291	S	3/2009	Jerstroem et al.			
D595,081	S	6/2009	Tan			
D628,007	S	11/2010	Di Bitonto et al.			
D676,701	S *	2/2013	Chung	.....	D7/307	
D688,904	S	9/2013	Chan			

D693,165	S	11/2013	Averty			
D701,071	S	3/2014	Büttler			
D712,188	S	9/2014	Averty			
D719,391	S	12/2014	De Pra			
D719,392	S	12/2014	De Pra			
D719,393	S	12/2014	De Pra			
D721,911	S	2/2015	Cauwood et al.			
D726,483	S	4/2015	Lin			
D728,988	S	5/2015	Warburton			
D739,169	S	9/2015	Shao et al.			
9,161,658	B2	10/2015	Clark et al.			
D742,159	S	11/2015	Doria et al.			
D763,614	S *	8/2016	Han	.....	D7/306	
2010/0187258	A1 *	7/2010	Santy	.....	B67D 1/0044	222/129.1

(Continued)

*Primary Examiner* — Derrick Holland

*Assistant Examiner* — Andrew Kerr

(74) *Attorney, Agent, or Firm* — Matthew A. Googe;  
Robinson IP Law, PLLC

(57) **CLAIM**

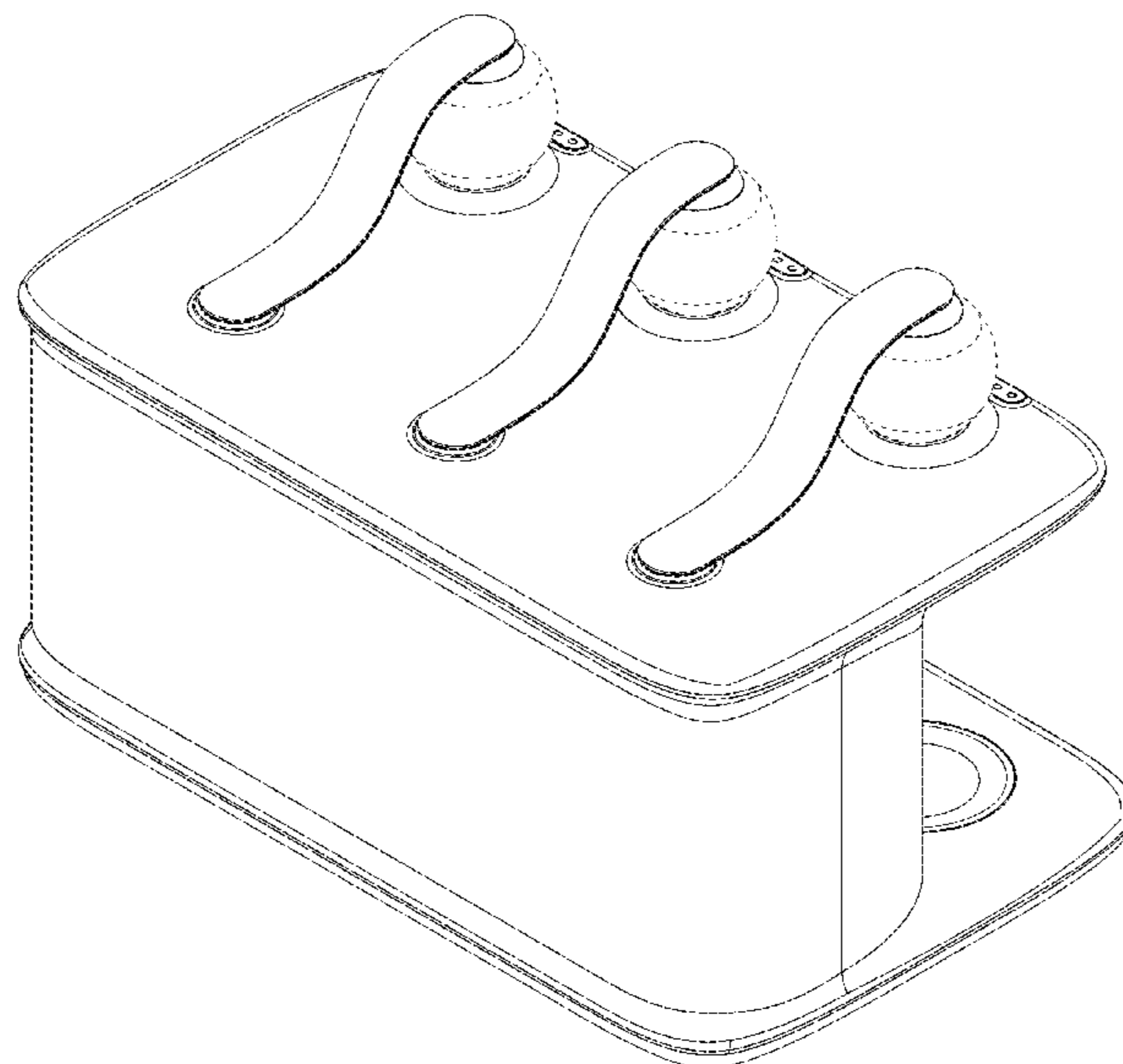
The ornamental design for a brewing machine with multiple brewers, as shown and described.

**DESCRIPTION**

FIG. 1 is a front perspective view of a brewing machine with multiple brewers showing our new design;  
FIG. 2 is a rear perspective view thereof;  
FIG. 3 is a top view thereof;  
FIG. 4 is a right side view thereof;  
FIG. 5 is a left view thereof;  
FIG. 6 is a front view thereof;  
FIG. 7 is a rear view thereof; and,  
FIG. 8 is a bottom view thereof.

The broken line showing of portions of the brewing machine with multiple brewers is for the purpose of illustrating environmental structure only and forms no part of the claimed design.

**1 Claim, 8 Drawing Sheets**



(56)

**References Cited**

U.S. PATENT DOCUMENTS

2013/0004629 A1 1/2013 Clark et al.  
2015/0289712 A1 10/2015 Choi

\* cited by examiner

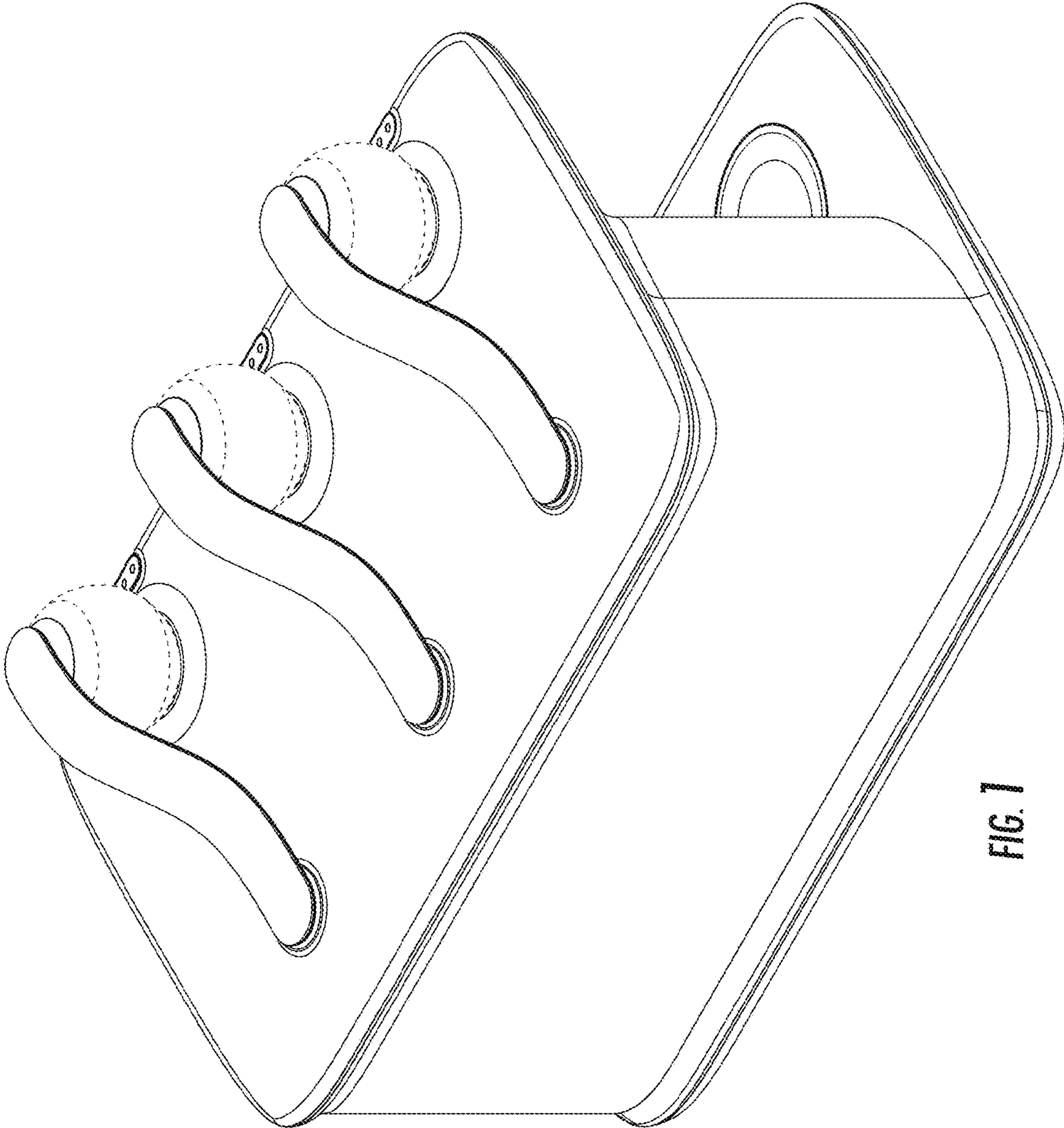


FIG. 1

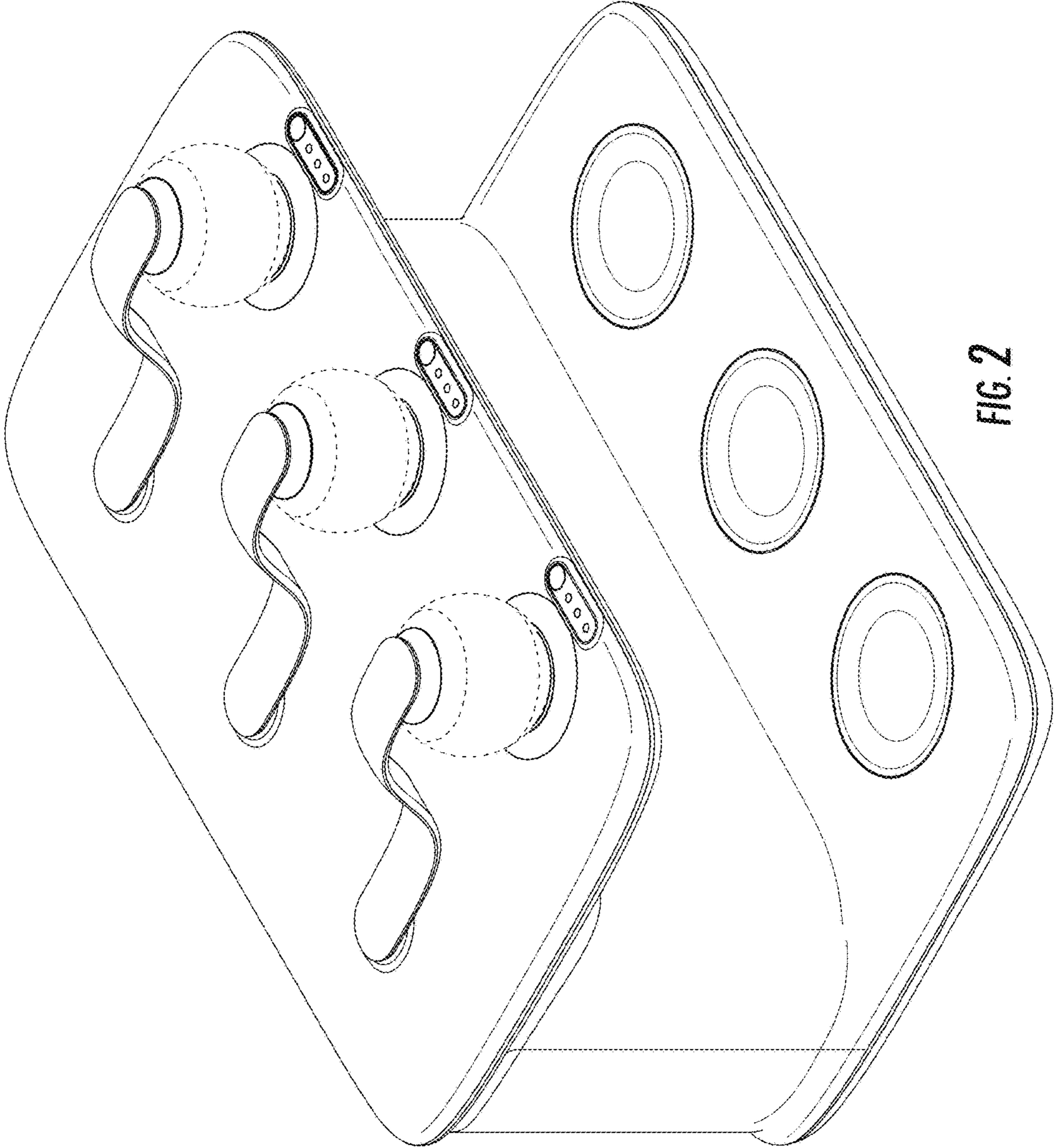


FIG. 2

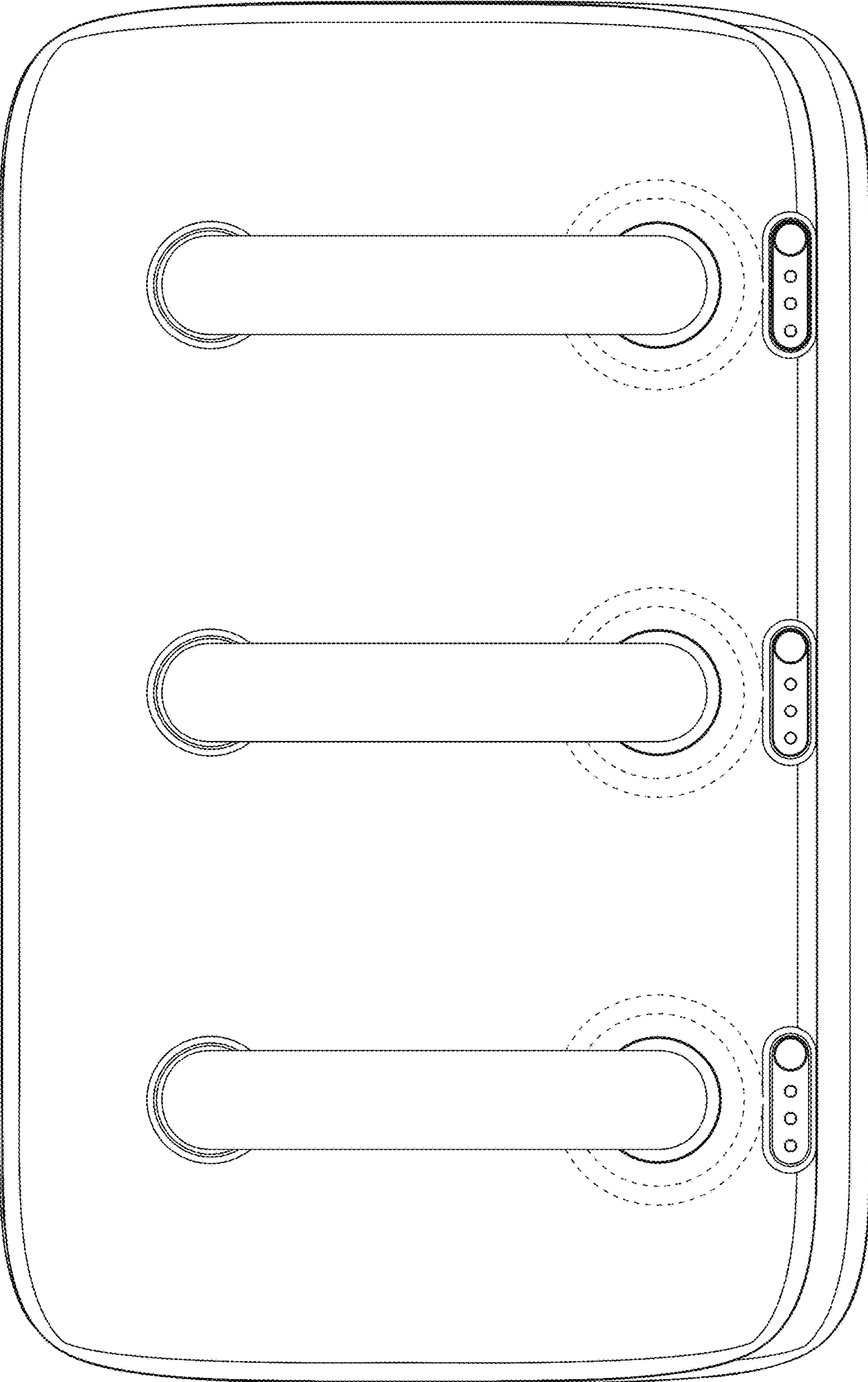


FIG. 3

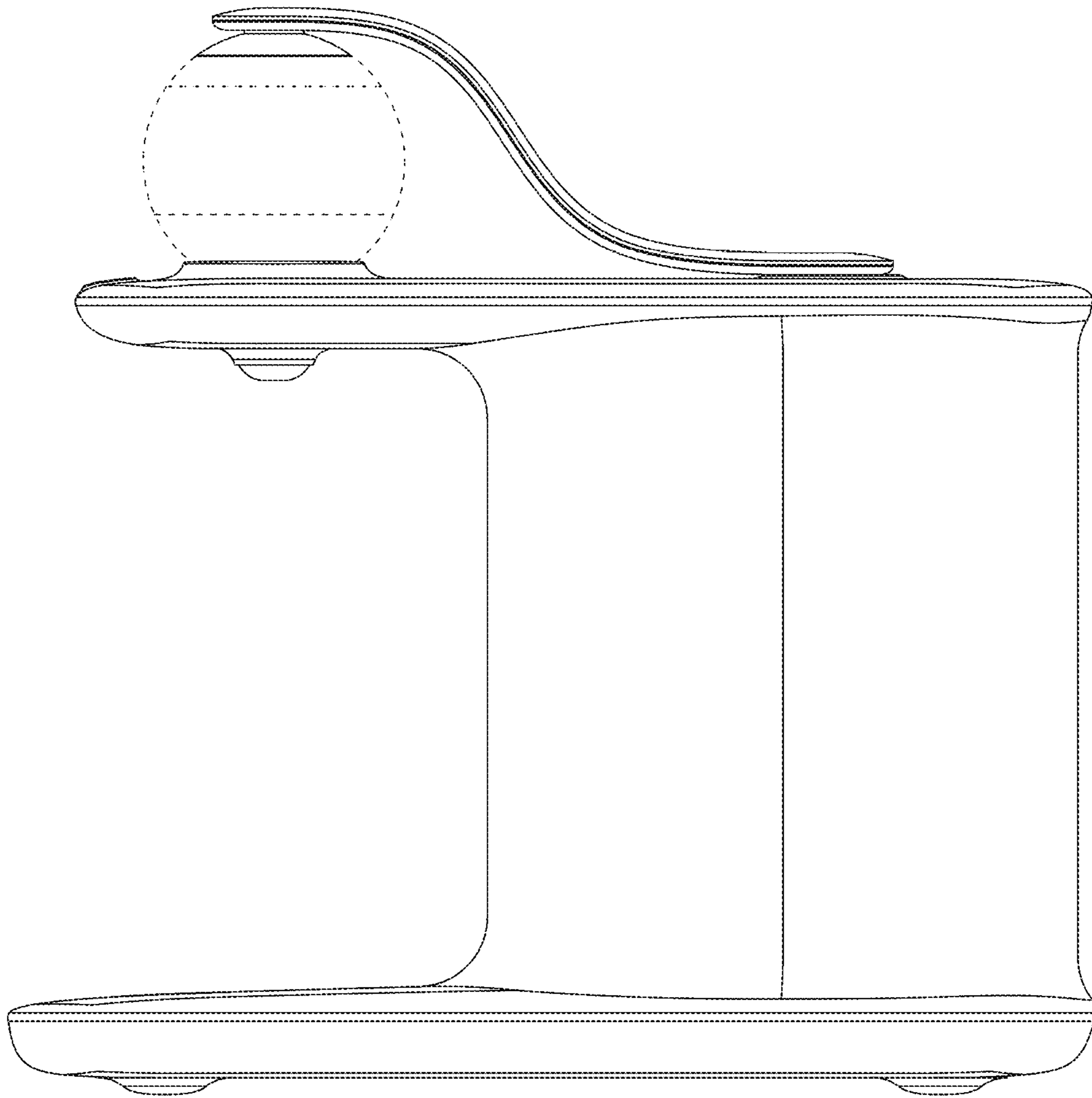


FIG. 4

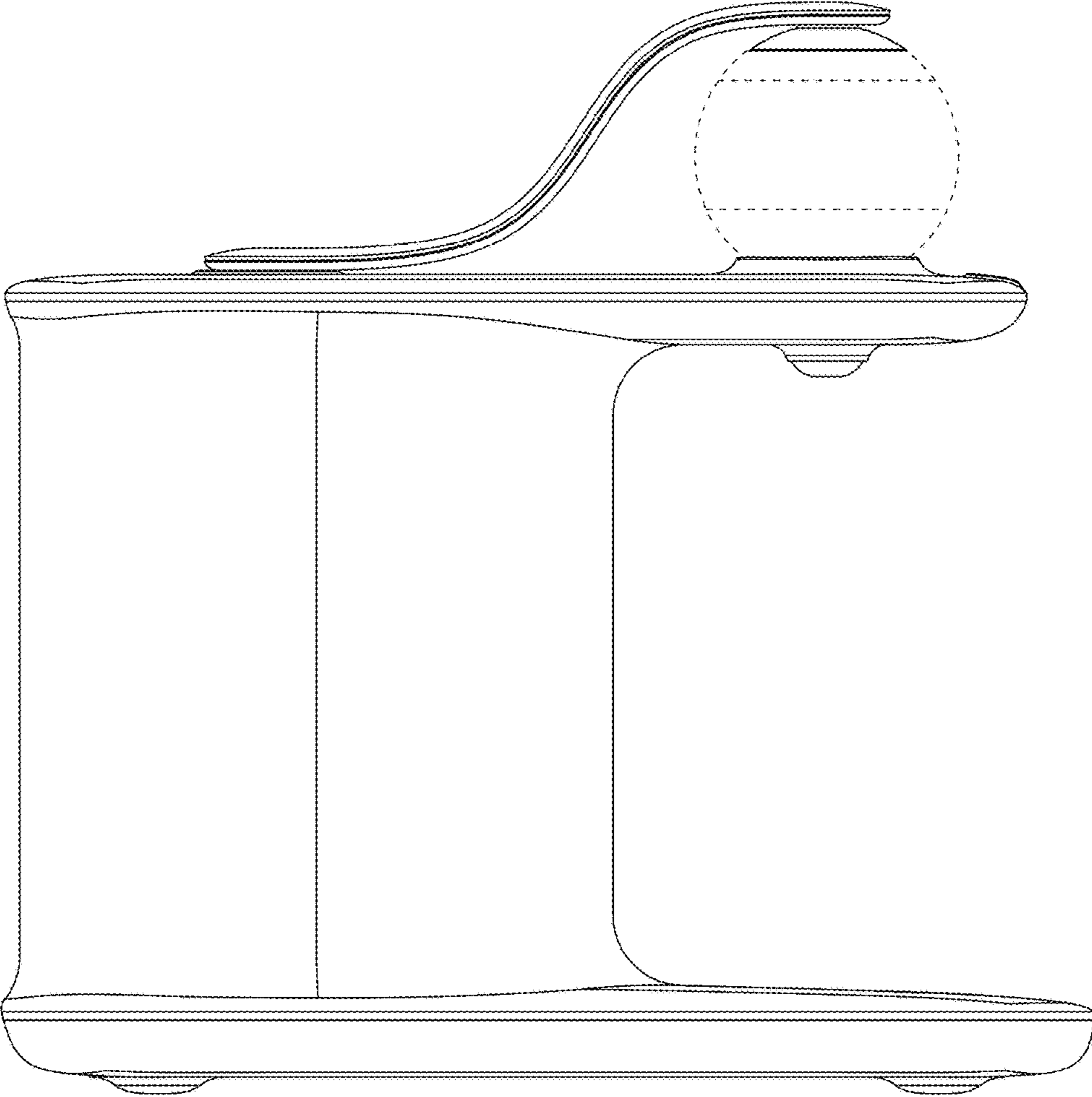


FIG. 5

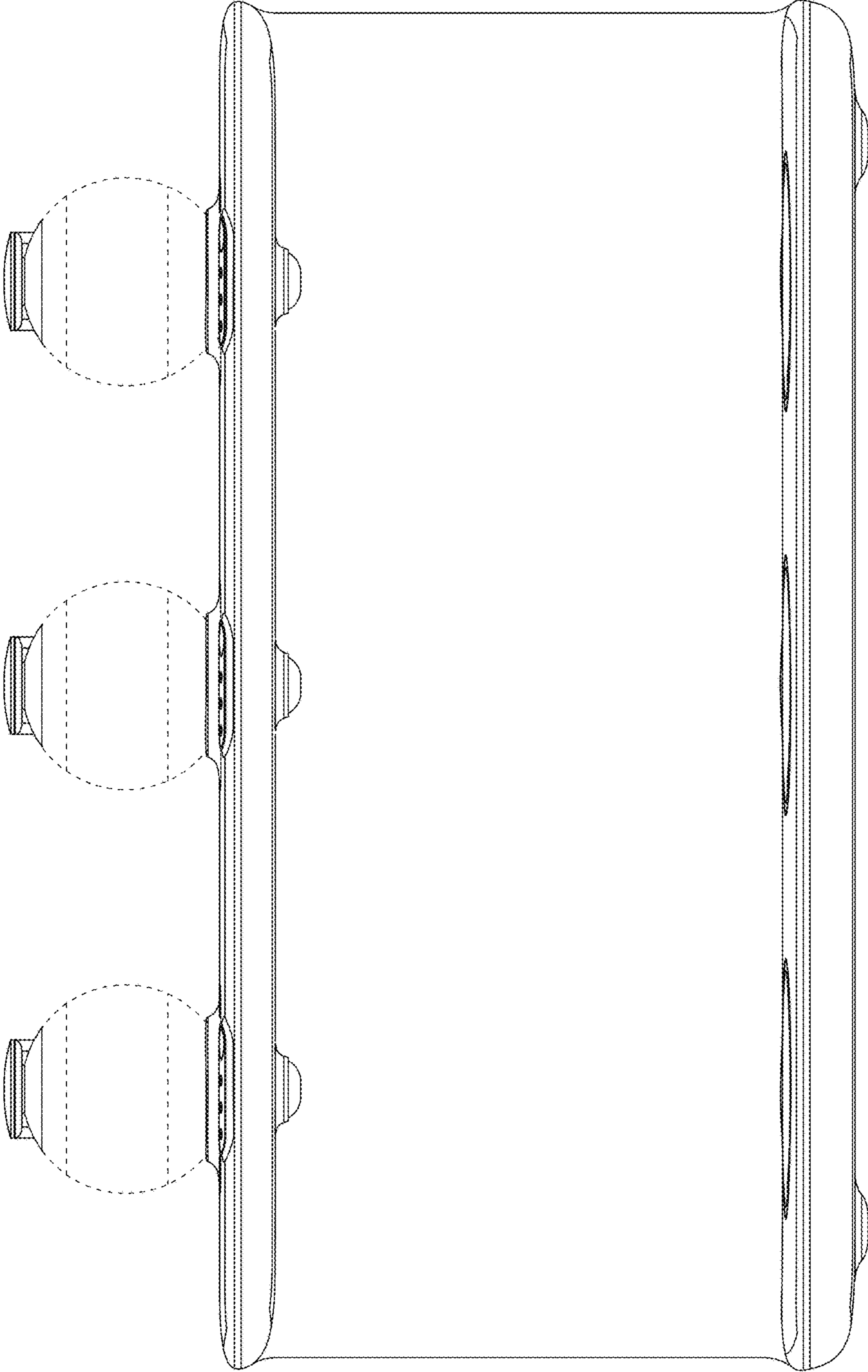


FIG. 6



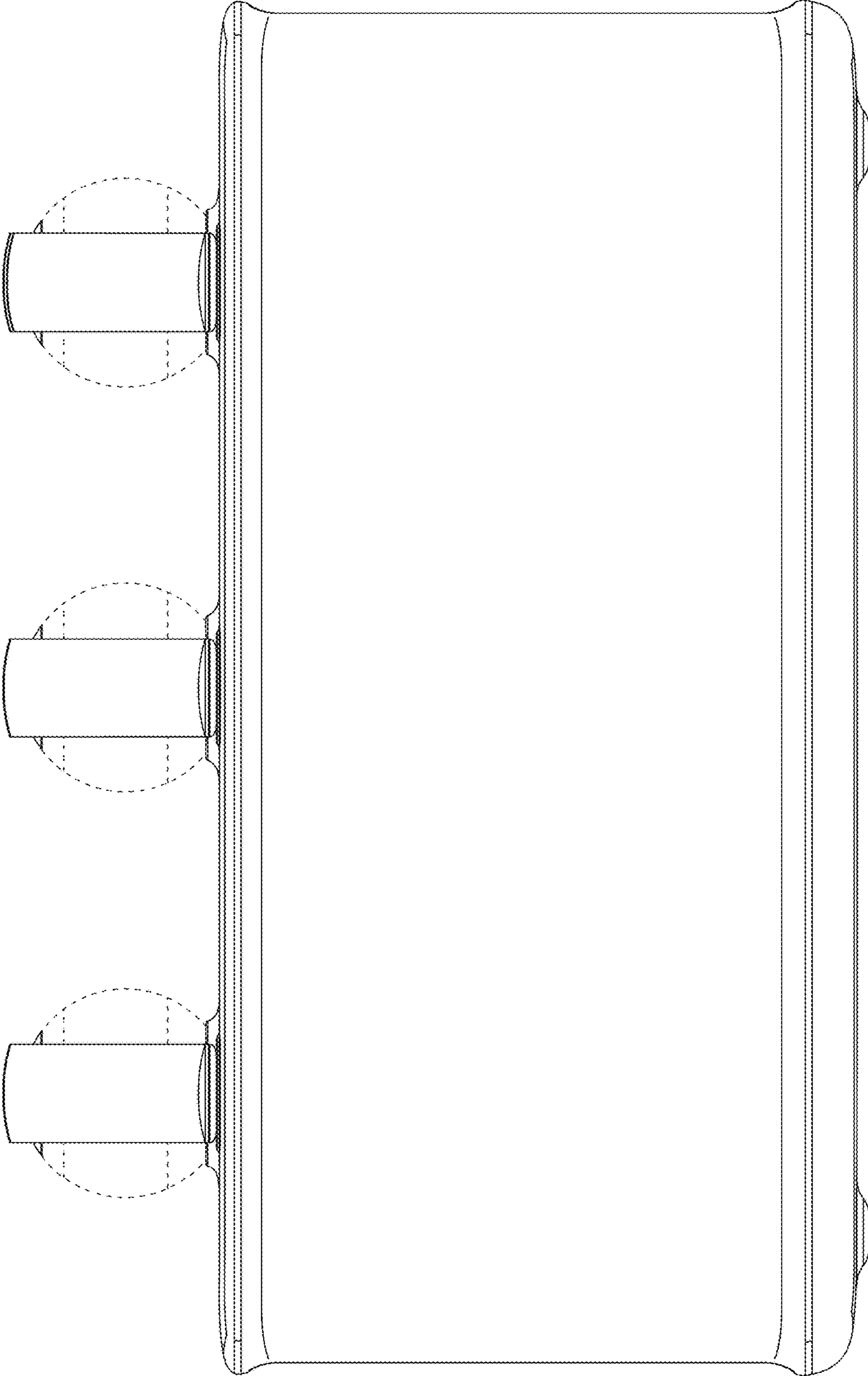


FIG. 7

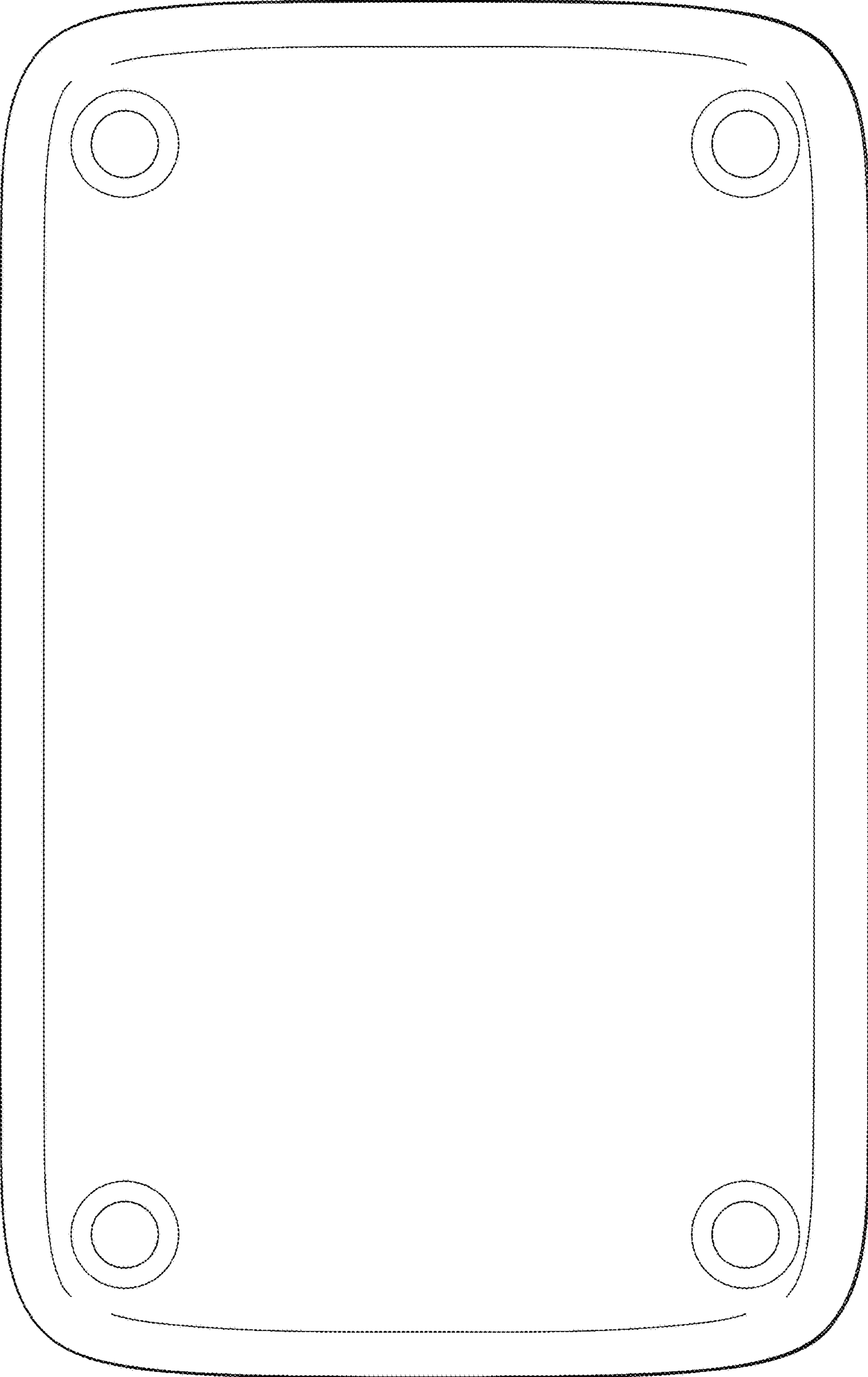


FIG. 8