



US00D828065S

(12) **United States Design Patent** (10) **Patent No.:** **US D828,065 S**
Burrows (45) **Date of Patent:** **** Sep. 11, 2018**

(54) **BEVERAGE BREWER** 5,931,082 A * 8/1999 Kim A47J 31/053
422/26
(71) Applicant: **Remington Designs, LLC**, Valencia, CA (US) D453,655 S * 2/2002 Powell D7/306
D514,371 S * 2/2006 Yang D7/306
D522,793 S * 6/2006 Weaden D7/309
(72) Inventor: **Bruce D. Burrows**, Valencia, CA (US) D525,070 S * 7/2006 Moreno D7/309
D625,136 S * 10/2010 Moriarty D7/309
(73) Assignee: **COFFEE SOLUTIONS, LLC**, Portland, OR (US) 8,201,491 B2 * 6/2012 Garman A47J 31/057
222/146.5
D730,673 S * 6/2015 Harris D7/306
D745,307 S * 12/2015 Kestenbaum D7/309

(**) Term: **15 Years**

* cited by examiner

(21) Appl. No.: **29/600,218**

Primary Examiner — Marianne Pandozzi

(22) Filed: **Apr. 10, 2017**

(74) *Attorney, Agent, or Firm* — Buchalter

Related U.S. Application Data

(62) Division of application No. 29/551,814, filed on Jan. 17, 2016, now Pat. No. Des. 783,333.

(51) **LOC (11) Cl.** **07-01**

(52) **U.S. Cl.**
USPC **D7/306; D7/309; D7/311**

(58) **Field of Classification Search**

USPC D7/300, 309–311, 306–308, 305;
222/146.6, 185.1, 135; 99/295, 273, 304,
99/288, 279, 307, 283
CPC A47J 31/46; A47J 31/407; A47J 31/50;
A47J 31/18; A47J 31/00; A47J 27/04;
A47J 31/0573; A47J 31/52

See application file for complete search history.

(56) **References Cited**

U.S. PATENT DOCUMENTS

D379,049 S * 5/1997 Amiel D7/305
D381,237 S * 7/1997 De'Longhi D7/309
D409,875 S * 5/1999 Alonge D7/309

(57) **CLAIM**

The ornamental design for a beverage brewer, as shown and described.

DESCRIPTION

FIG. 1 is a top, front, right side perspective view of a beverage brewer showing my new design;

FIG. 2 is a front elevation view of the beverage brewer shown in FIG. 1.

FIG. 3 is a rear elevation view of the beverage brewer shown in FIG. 1.

FIG. 4 is a left side elevation view of the beverage brewer shown in FIG. 1.

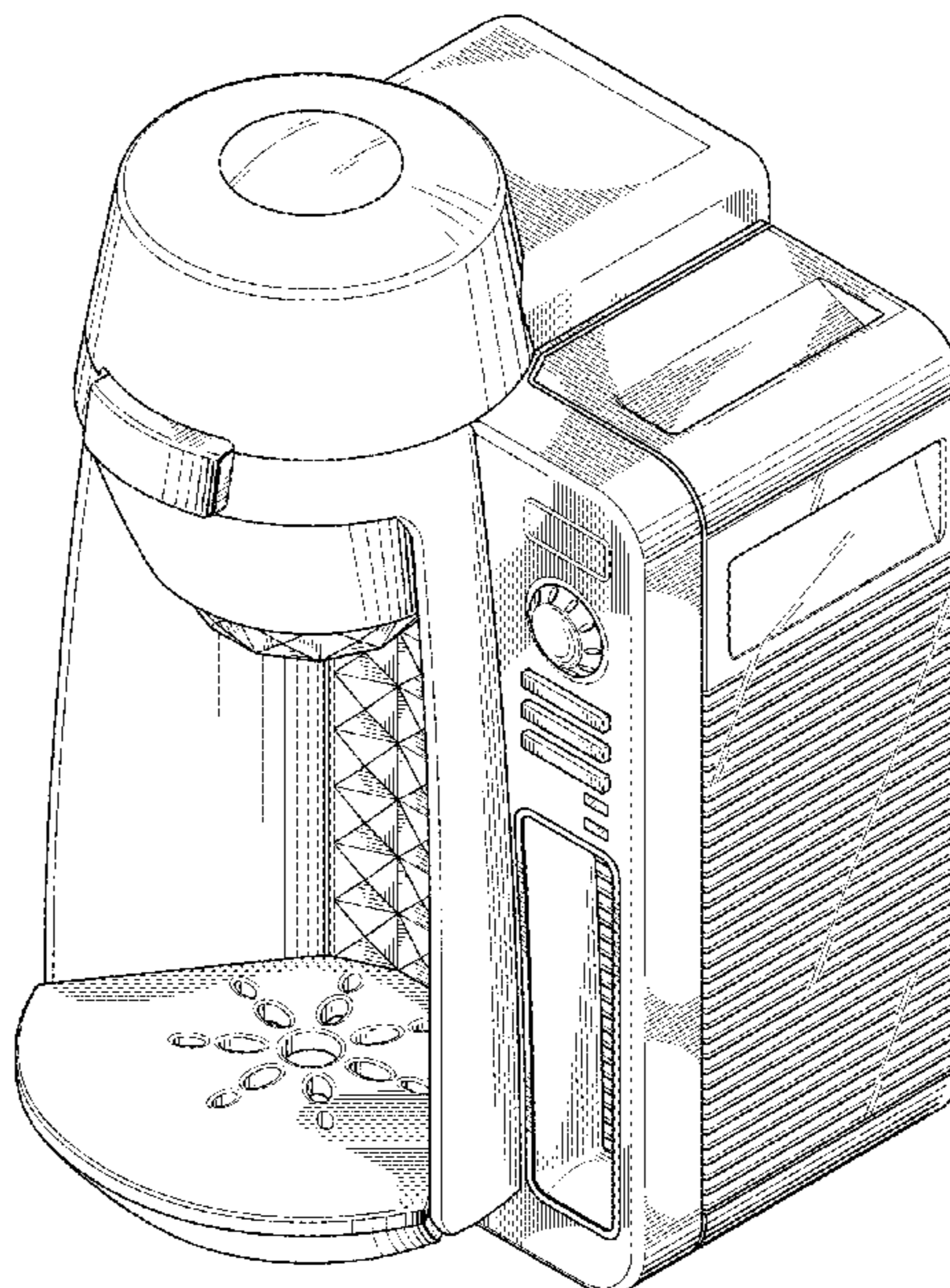
FIG. 5 is a right side elevation view of the beverage brewer shown in FIG. 1.

FIG. 6 is a top plan view of the beverage brewer shown in FIG. 1; and,

FIG. 7 is a bottom plan view of the beverage brewer shown in FIG. 1.

Broken lines in the figures indicate environmental structure and/or boundaries and form no part of the claimed design.

1 Claim, 4 Drawing Sheets



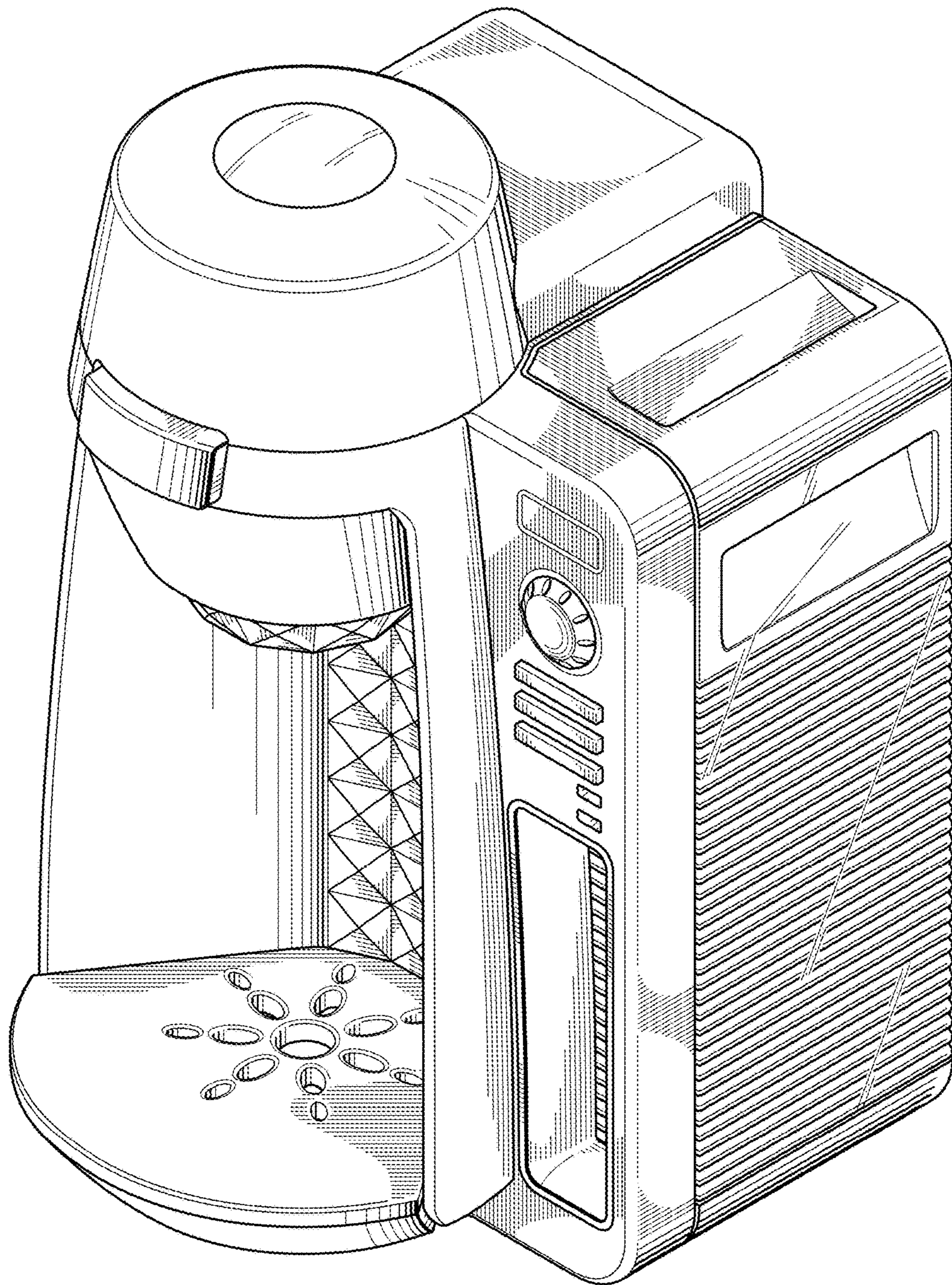


FIG. 1

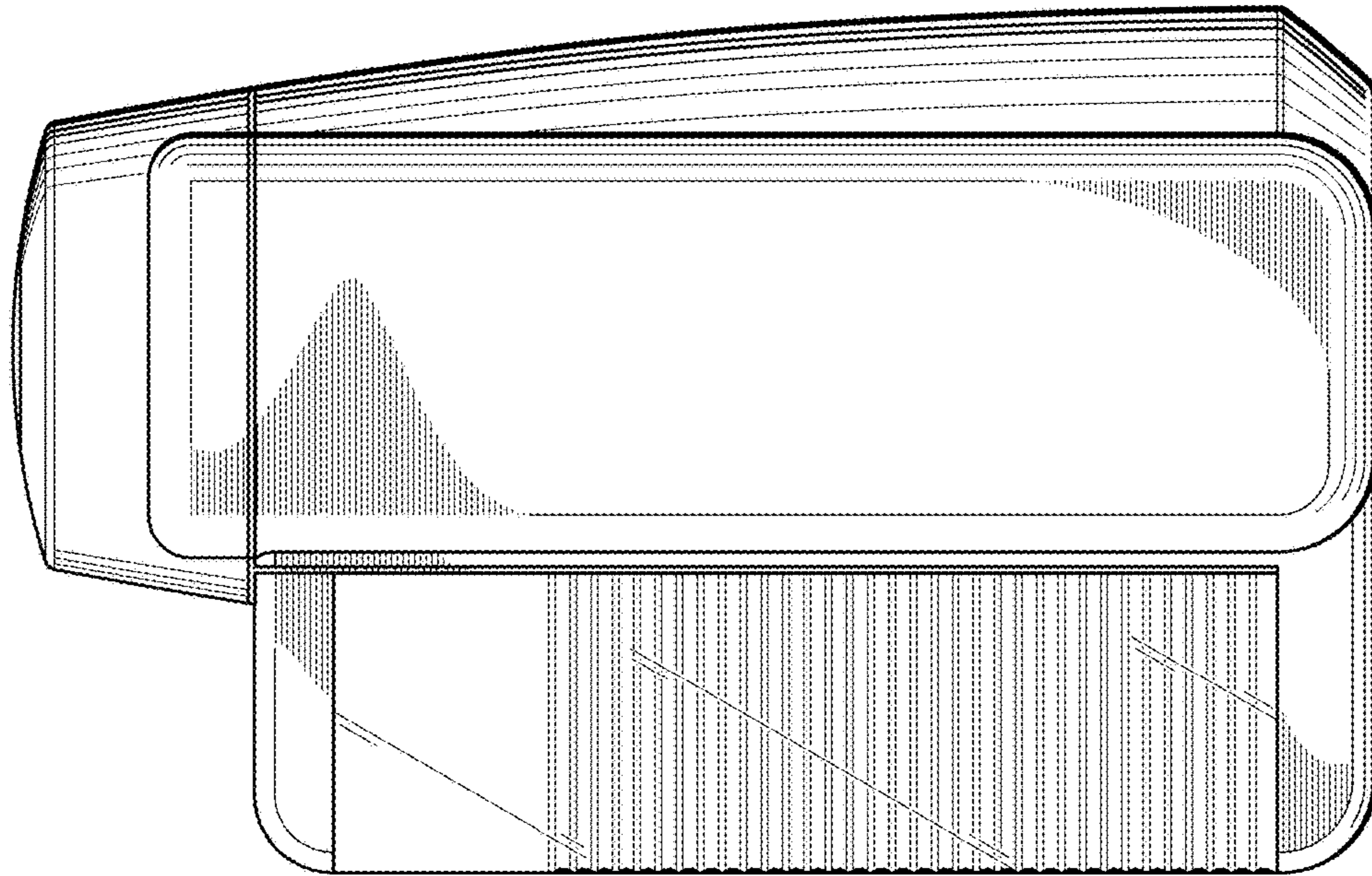


FIG. 3

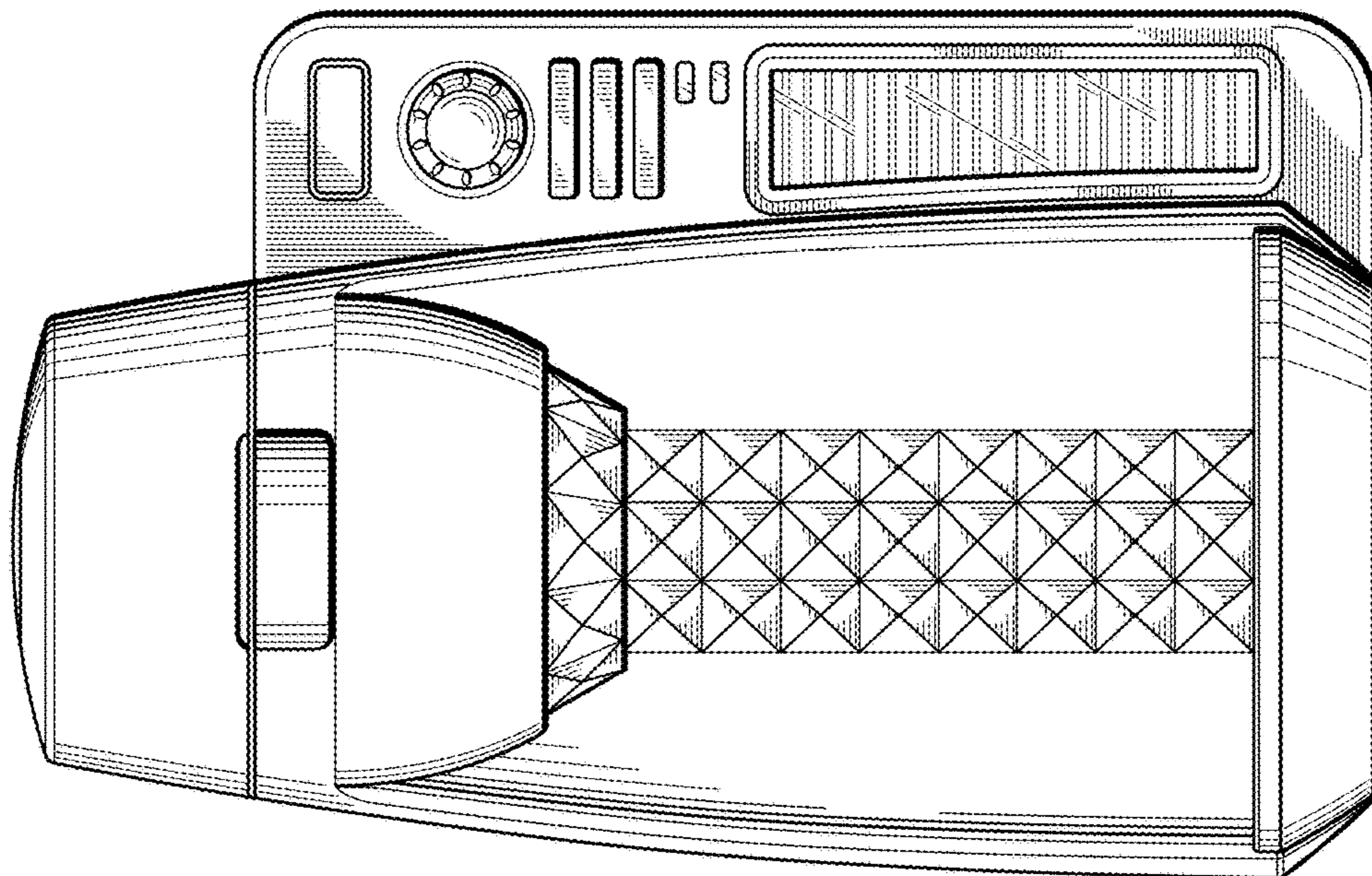


FIG. 2

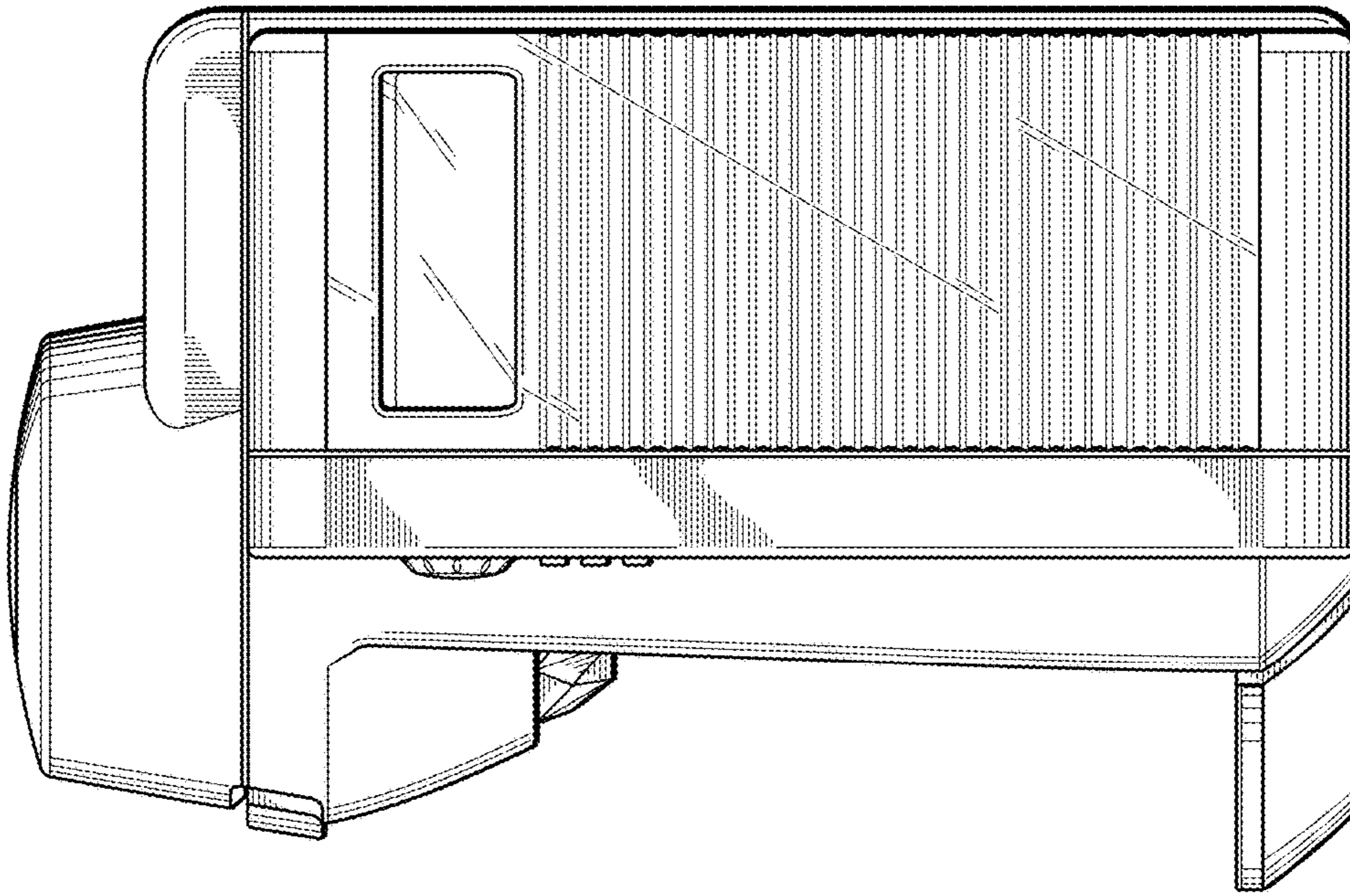


FIG. 5

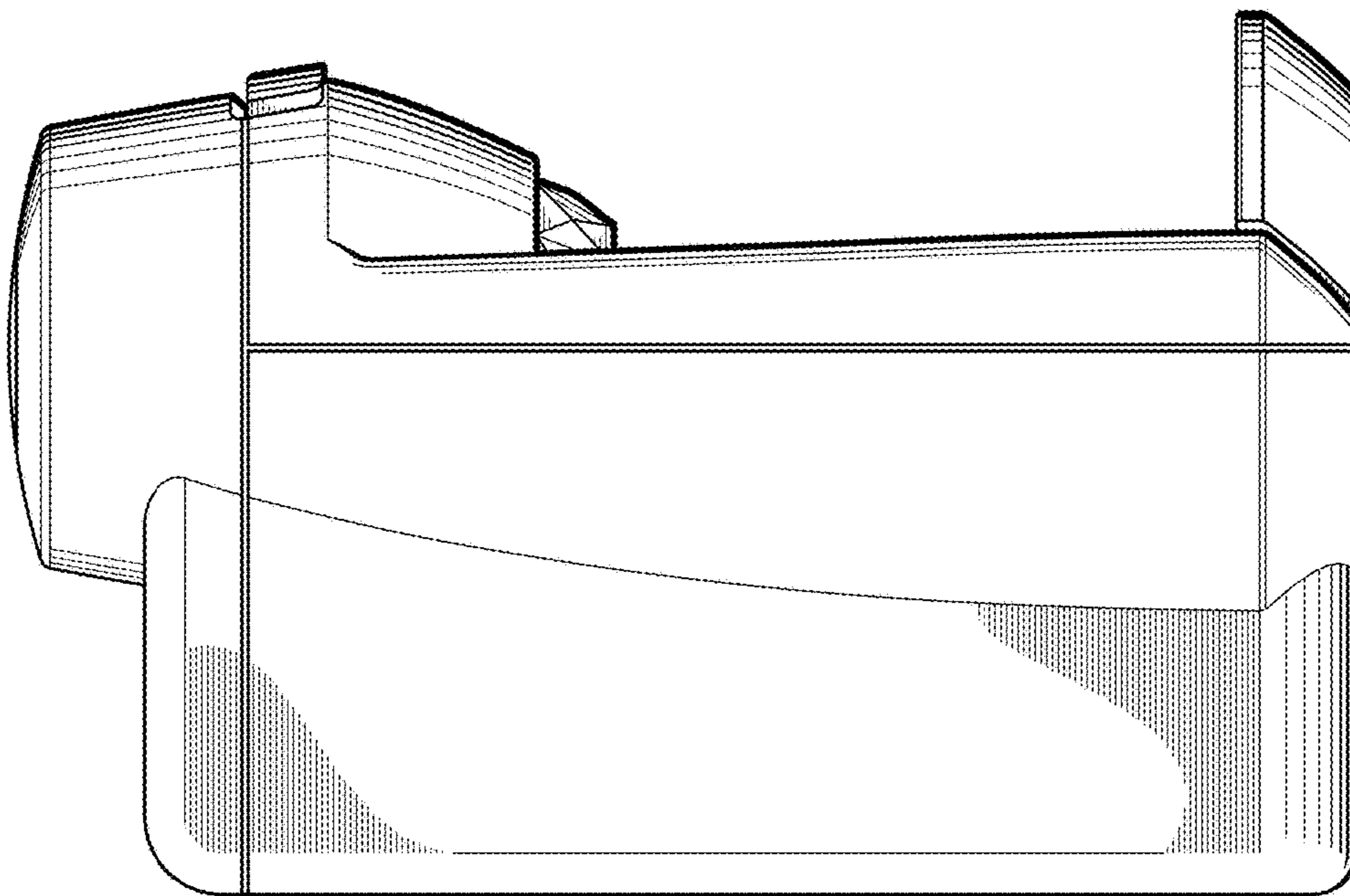


FIG. 4

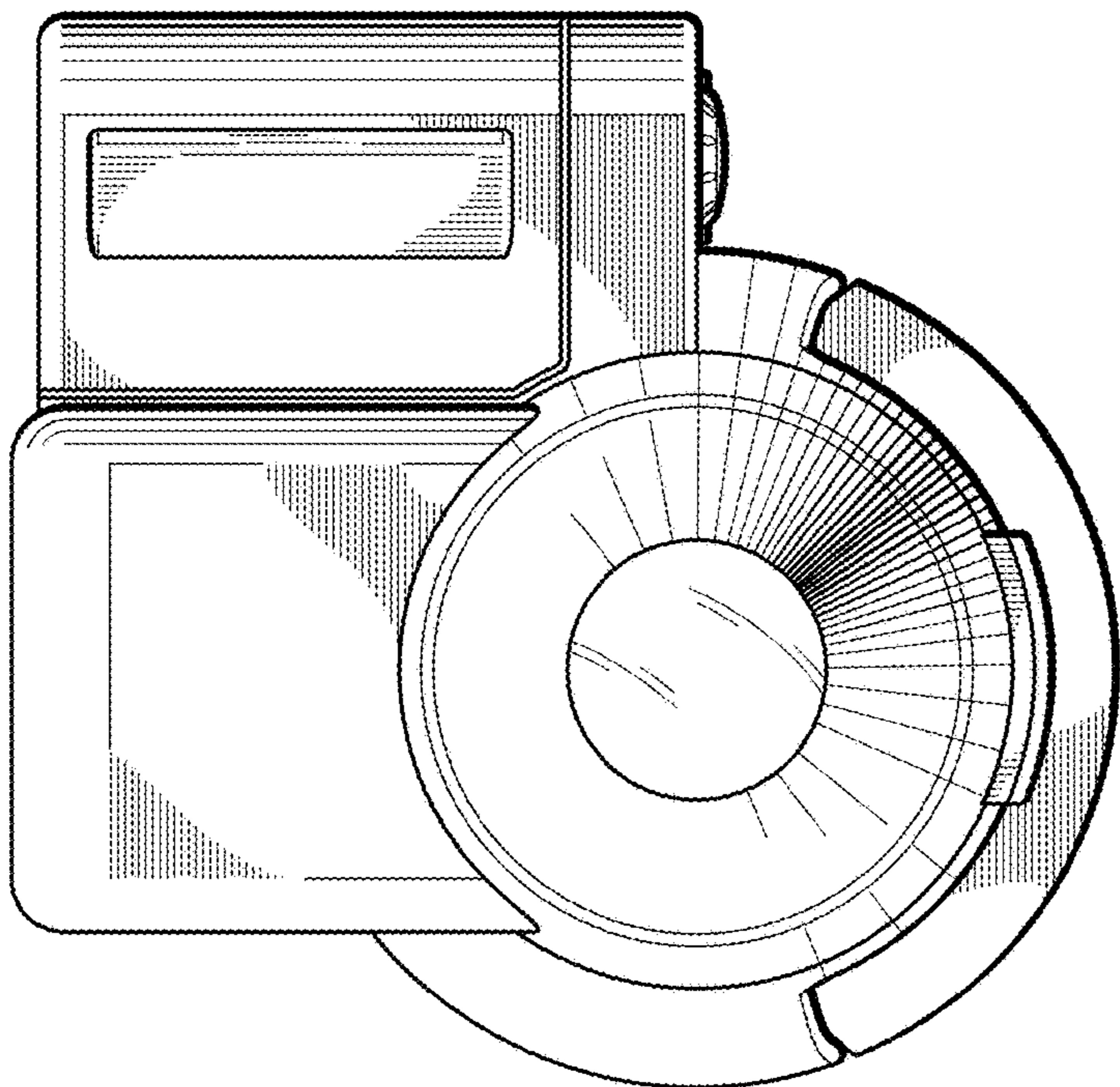


FIG. 6

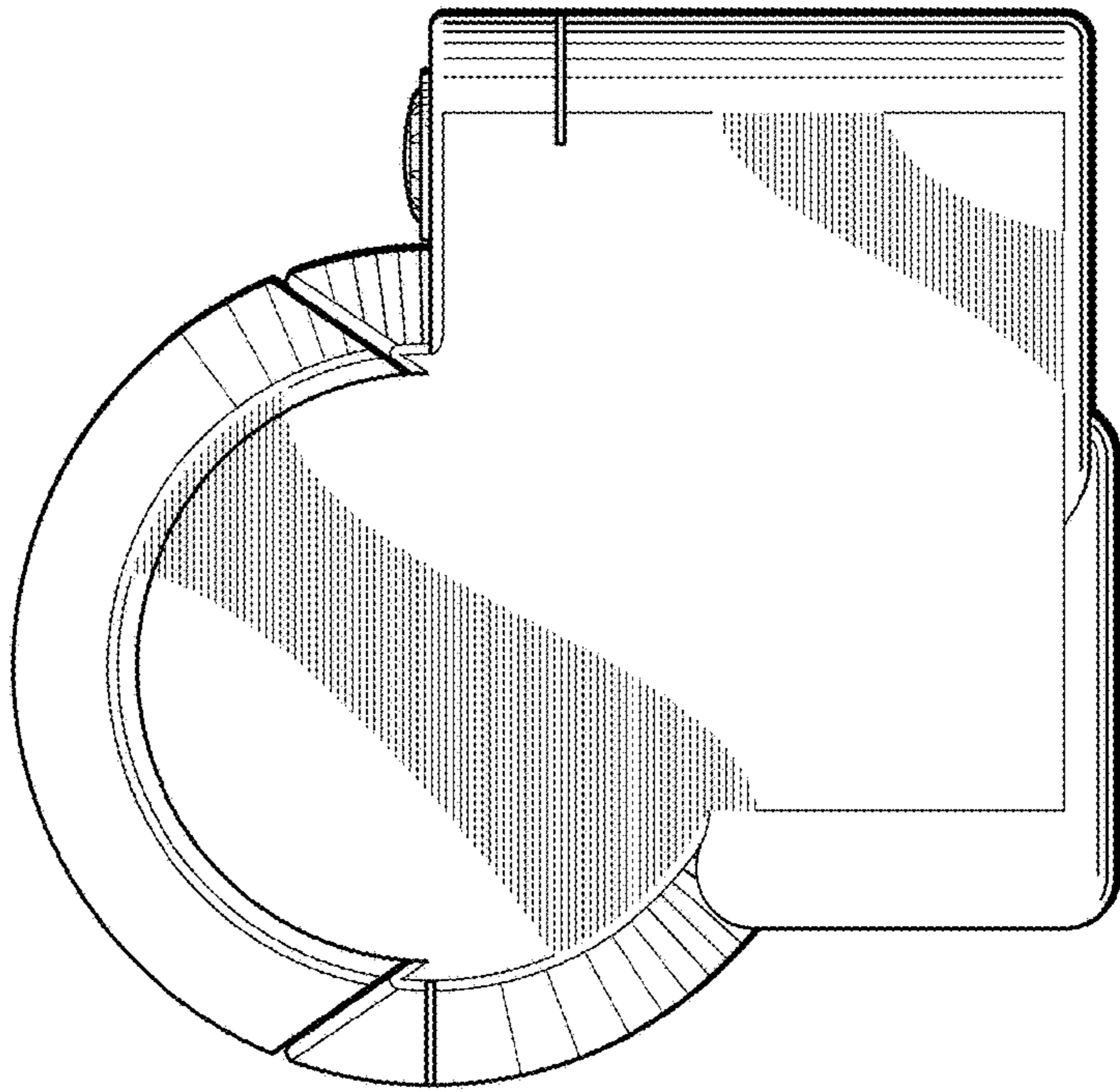


FIG. 7