



US00D828064S

(12) **United States Design Patent** (10) **Patent No.:** **US D828,064 S**
McDonald et al. (45) **Date of Patent:** **** *Sep. 11, 2018**

- (54) **UNIVERSAL BEER DISPENSER**
- (71) Applicant: **Fizzics Group LLC**, Manchester, NH (US)
- (72) Inventors: **David Arlen McDonald**, Merimack, NH (US); **Phillip Petracca**, Howell, NJ (US)
- (73) Assignee: **Fizzics Group LLC**, Manchester, NH (US)
- (*) Notice: This patent is subject to a terminal disclaimer.
- (**) Term: **15 Years**
- (21) Appl. No.: **29/533,246**
- (22) Filed: **Jul. 15, 2015**
- (51) **LOC (11) Cl.** **07-01**
- (52) **U.S. Cl.**
USPC **D7/306; D7/311; D7/313**
- (58) **Field of Classification Search**
USPC **D7/305-311, 313, 300; D15/82; 222/129.1, 146.6, 131; 99/295**
CPC **A47J 31/44; A47J 31/41; A47J 41/0033; B67D 1/36; B67D 1/1234; A47G 23/04; B05B 11/06**
See application file for complete search history.

- D385,747 S * 11/1997 Inoue D7/311
- D401,803 S * 12/1998 Alferink D7/307
- D421,871 S * 3/2000 Klosinski D7/309
- D431,145 S * 9/2000 Woebcke D7/306
- D464,226 S * 10/2002 Lassota D7/306
- D478,460 S * 8/2003 Chiu D7/306
- 6,824,013 B2 11/2004 Harrison
- D509,986 S * 9/2005 O'Neill D7/309
- D519,774 S * 5/2006 Hansen D7/306
- D521,794 S * 5/2006 Hansen D7/306

(Continued)

Primary Examiner — Marianne Pandozzi
(74) *Attorney, Agent, or Firm* — Keeley DeAngelo LLP

(57) **CLAIM**

The ornamental design for a universal beer dispenser, as shown.

DESCRIPTION

FIG. 1 is a front right perspective view of a universal beer dispenser;
 FIG. 2 is a rear right perspective view of a universal beer dispenser;
 FIG. 3 is a front plan view in elevation of the universal beer dispenser of FIGS. 1 and 2;
 FIG. 4 is a side view in elevation of the universal beer dispenser of FIGS. 1 and 2 as seen from the right-hand side thereof;
 FIG. 5 is a rear view in elevation of the universal beer dispenser of FIGS. 1 and 2;
 FIG. 6 is a side view in elevation of the universal beer dispenser of FIGS. 1 and 2 as seen from the left-hand side thereof;
 FIG. 7 is a top plan view of the universal beer dispenser of FIGS. 1 and 2; and,
 FIG. 8 is a bottom plan view of the universal beer dispenser of FIGS. 1 and 2.

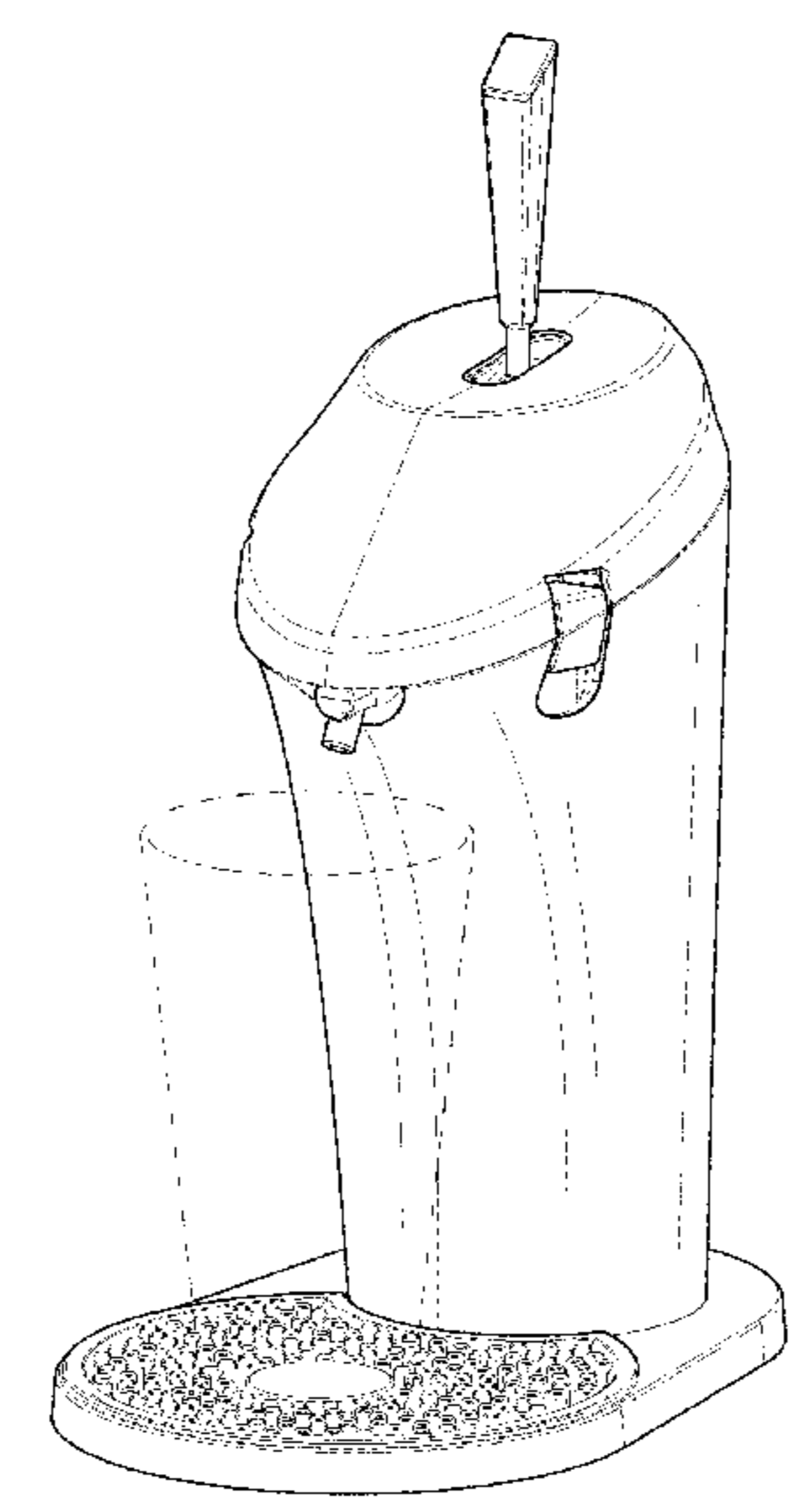
The broken lines in the drawing depict portions of the universal beer dispenser that form no part of the claimed design.

1 Claim, 8 Drawing Sheets

(56) **References Cited**

U.S. PATENT DOCUMENTS

D235,015 S * 4/1975 Stern D23/209
 4,113,147 A * 9/1978 Frazier A47J 41/0033
 222/131
 4,559,979 A 12/1985 Koblasz et al.
 D300,106 S * 3/1989 Paulin D7/309
 5,240,144 A 8/1993 Feldman
 D356,713 S * 3/1995 Groover D7/306
 5,619,905 A * 4/1997 Wu A47G 23/04
 126/358.1



(56)

References Cited

U.S. PATENT DOCUMENTS

D527,214	S	*	8/2006	Hansen	D7/306
D569,162	S	*	5/2008	Gu	D7/306
D582,193	S	*	12/2008	Picozza	D7/306
D606,356	S	*	12/2009	Uylings	D7/308
D625,135	S	*	10/2010	Warburton	D7/306
7,810,679	B2		10/2010	Wauters		
D644,471	S	*	9/2011	Fiori	D7/306
8,453,882	B2		6/2013	Johnson		
D694,055	S	*	11/2013	Hirst	D7/306
D774,348	S	*	12/2016	Veeravagu	D7/306
2011/0127298	A1		6/2011	Shah		

* cited by examiner

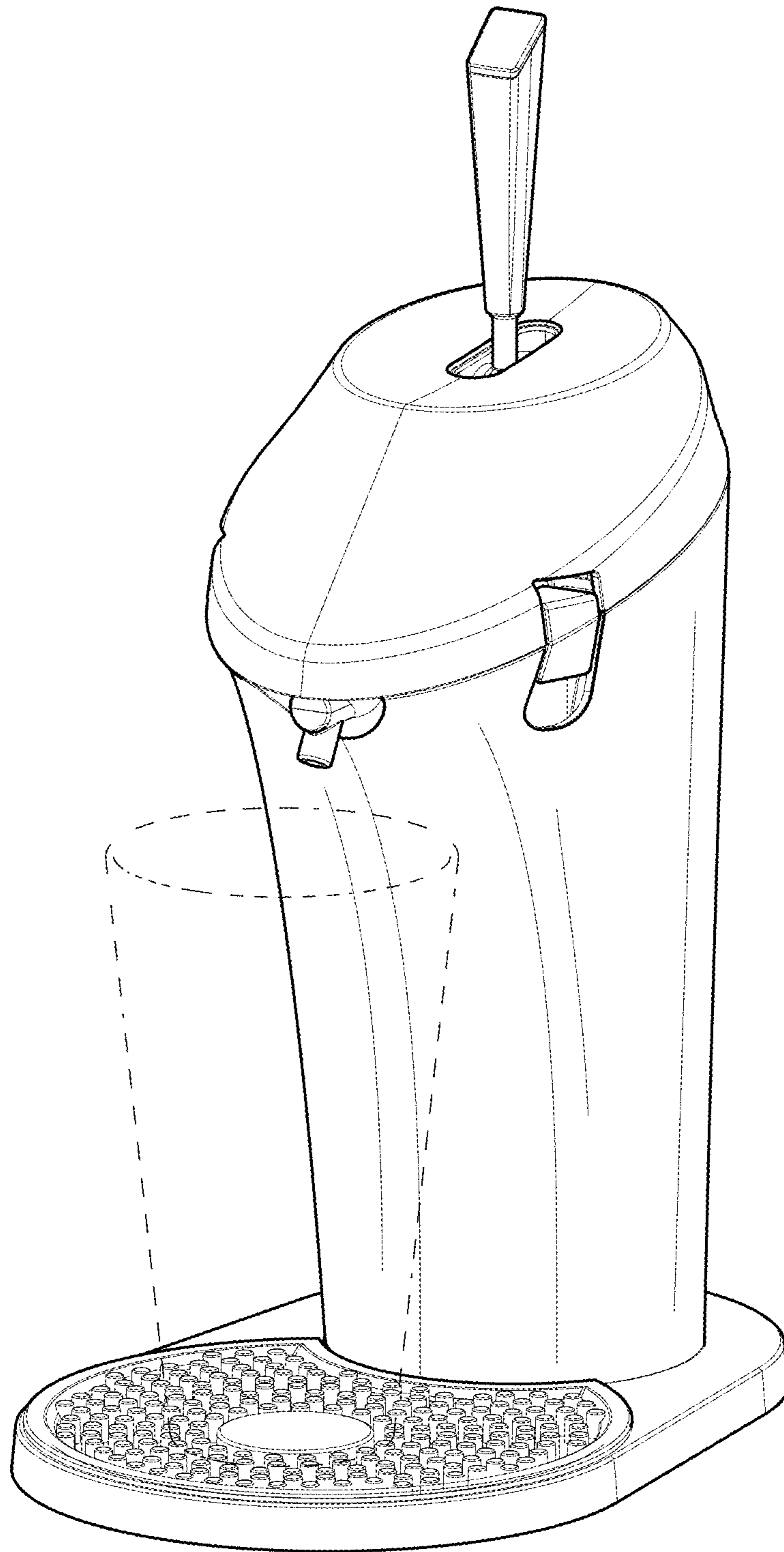


Figure 1

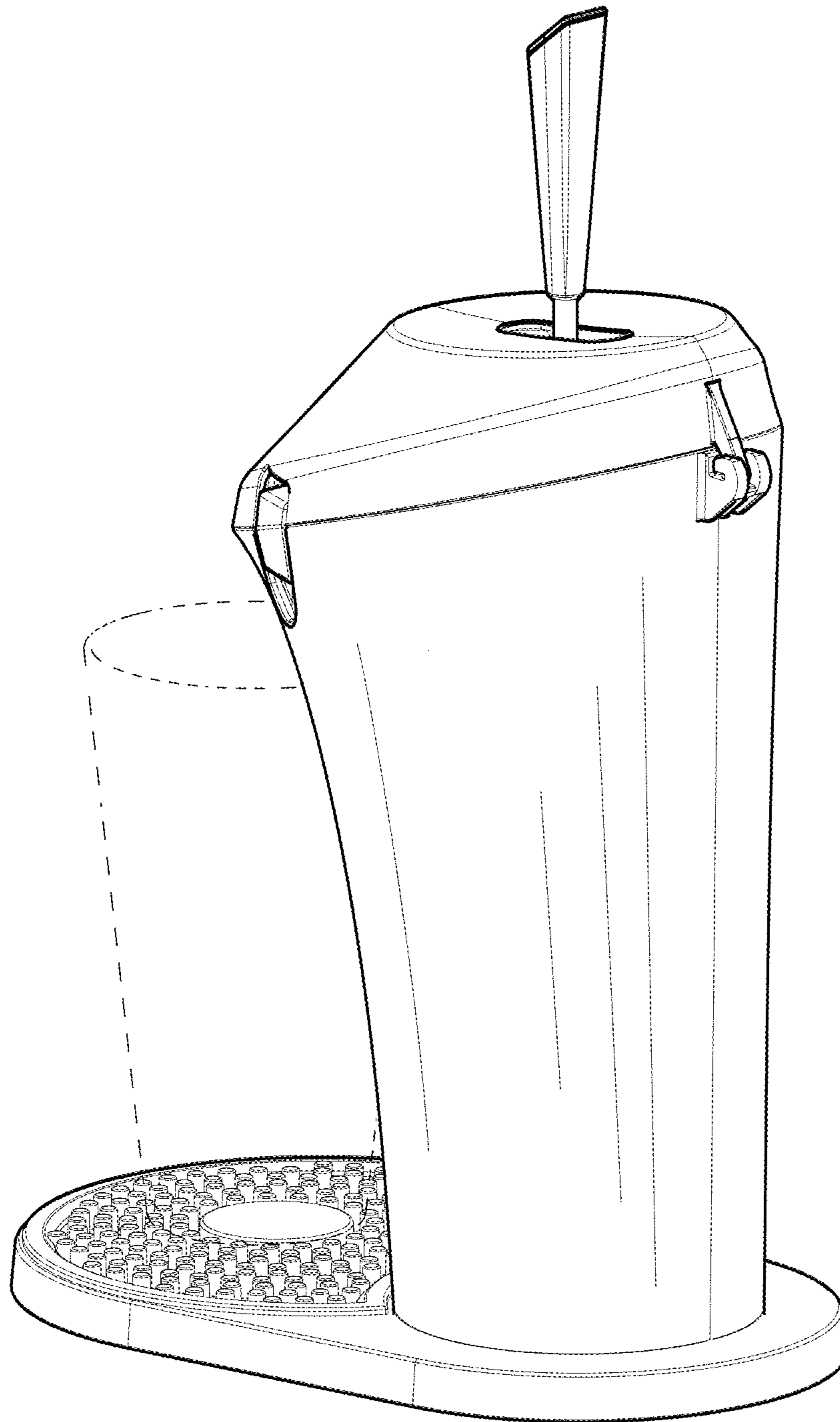


Figure 2

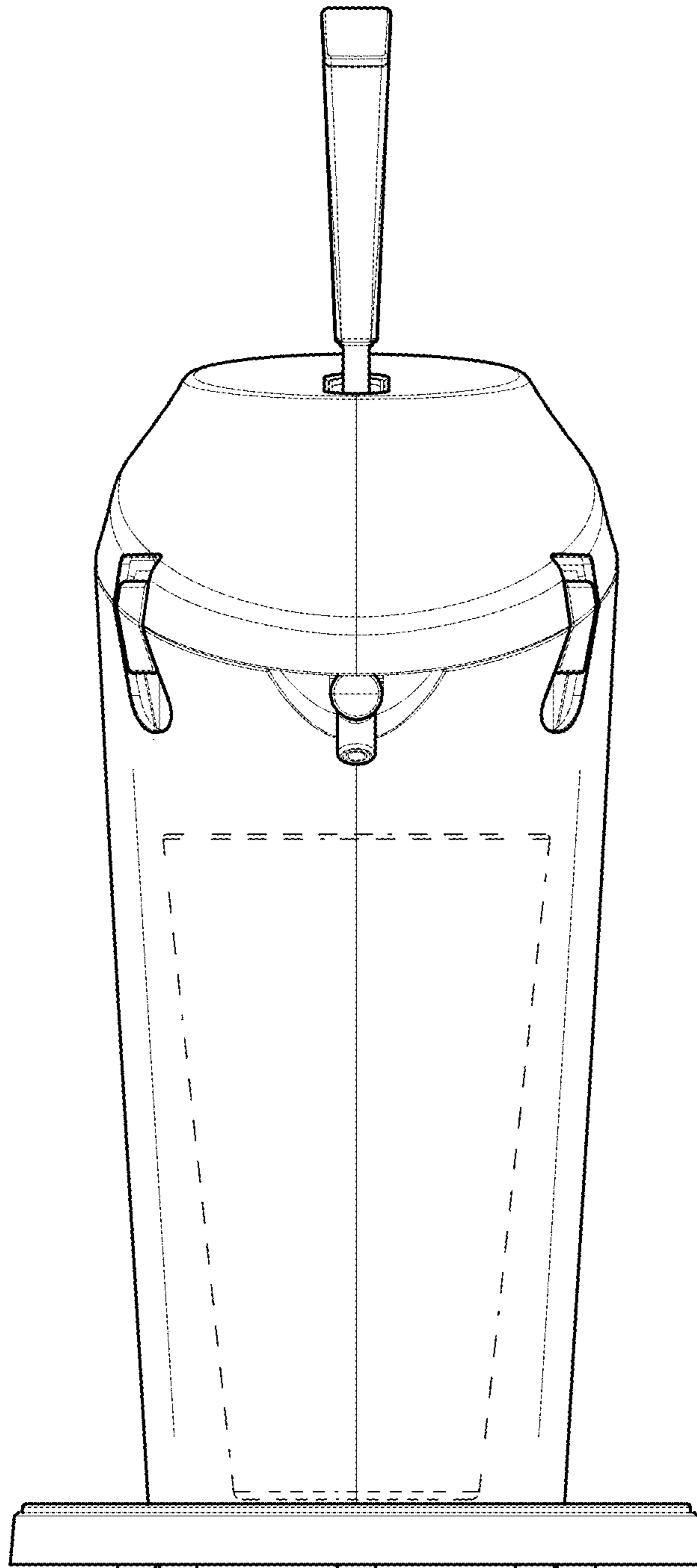


Figure 3

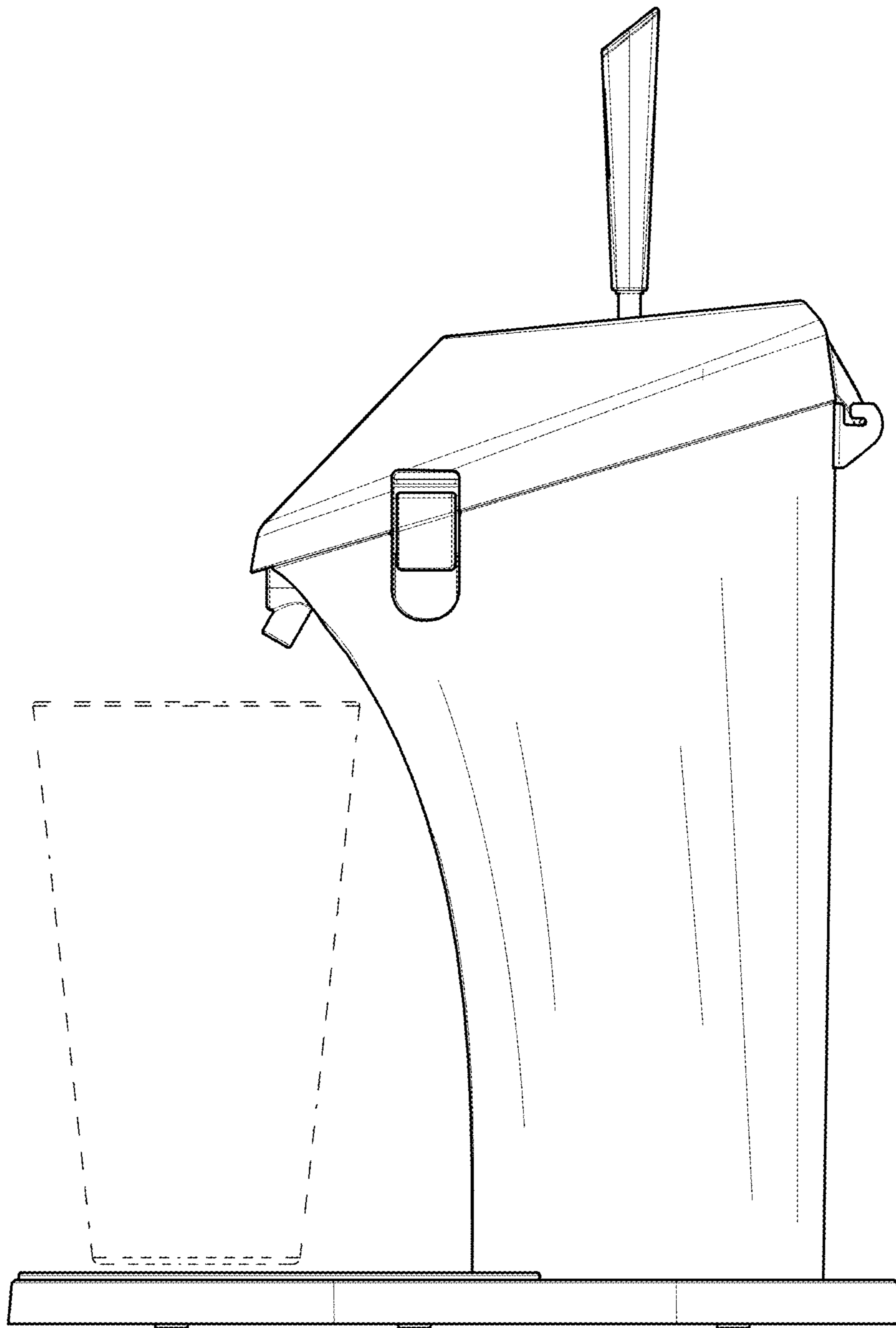


Figure 4

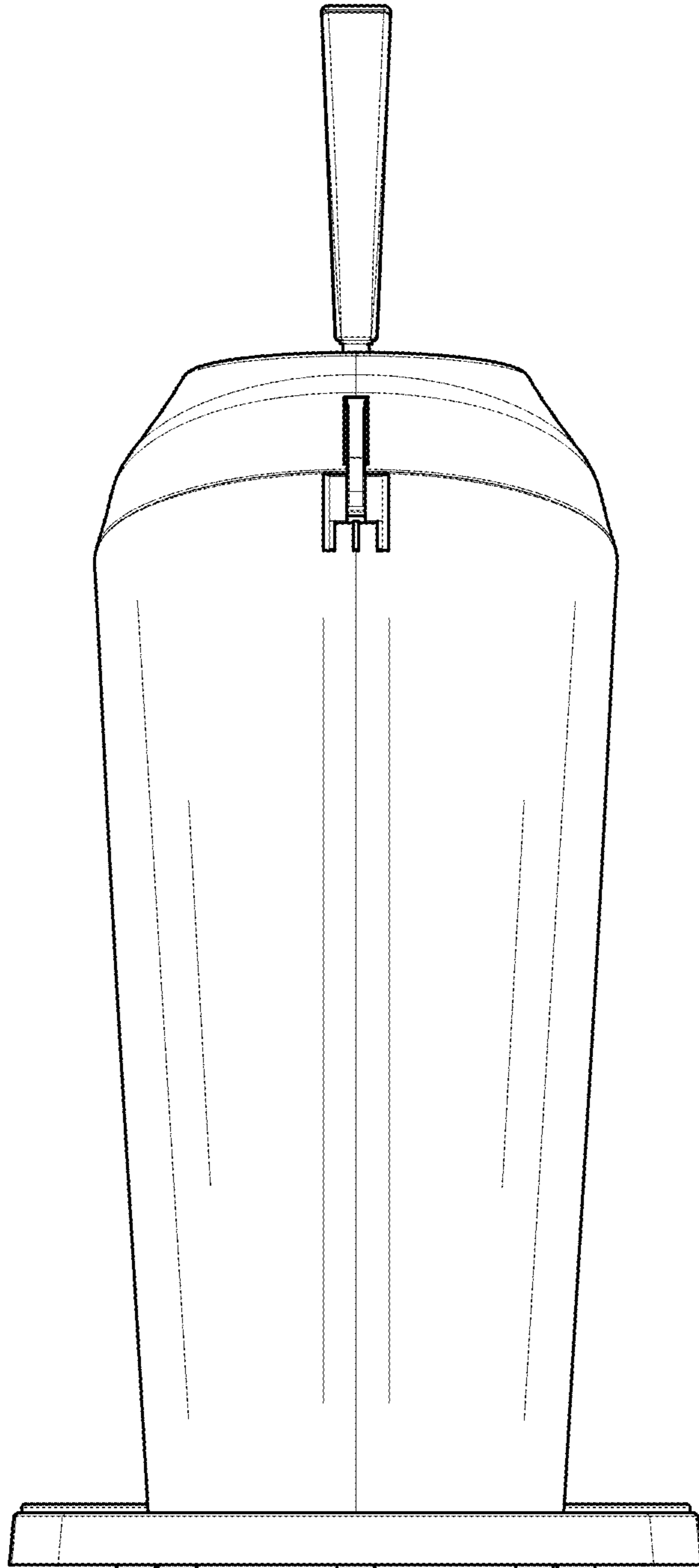


Figure 5

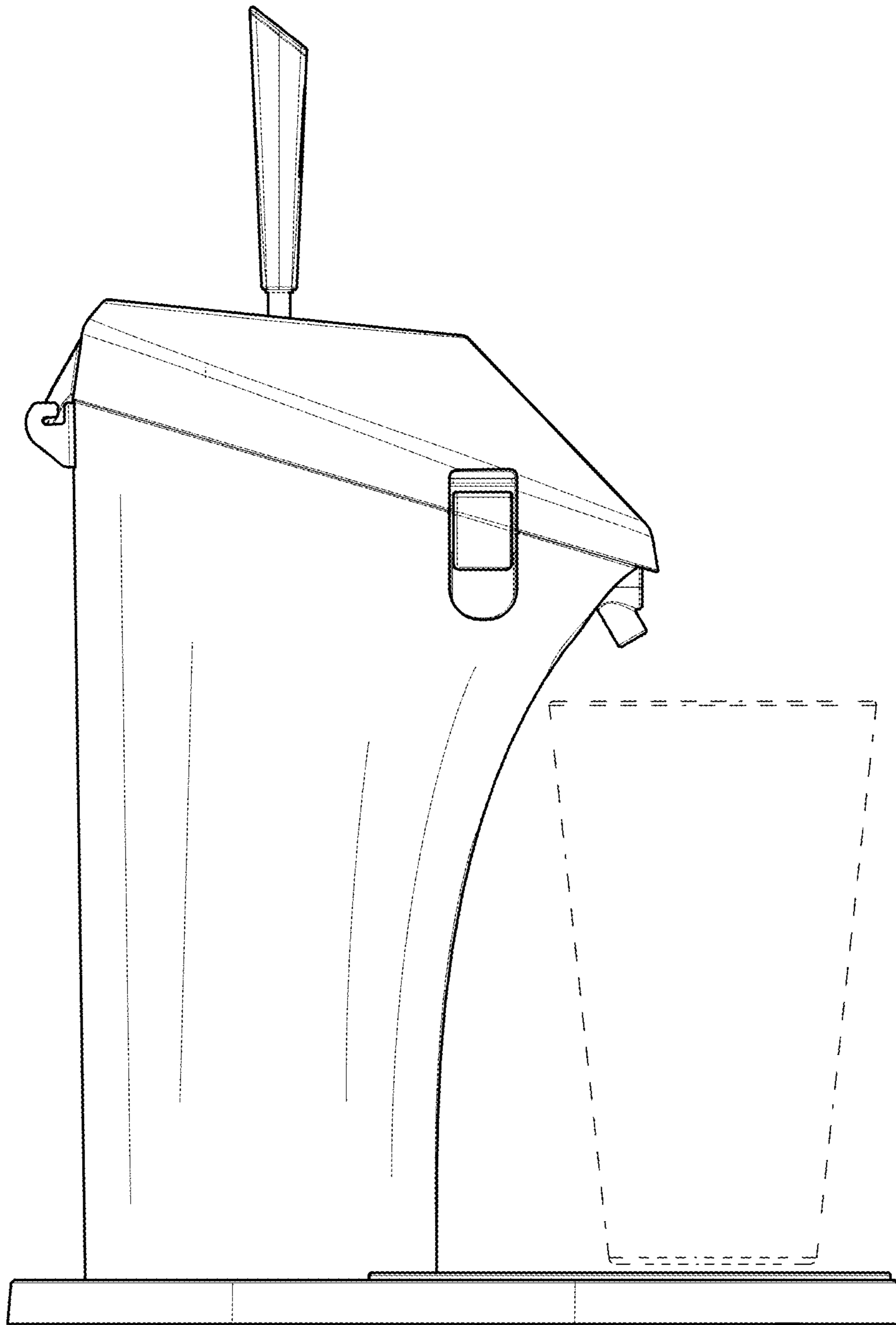


Figure 6

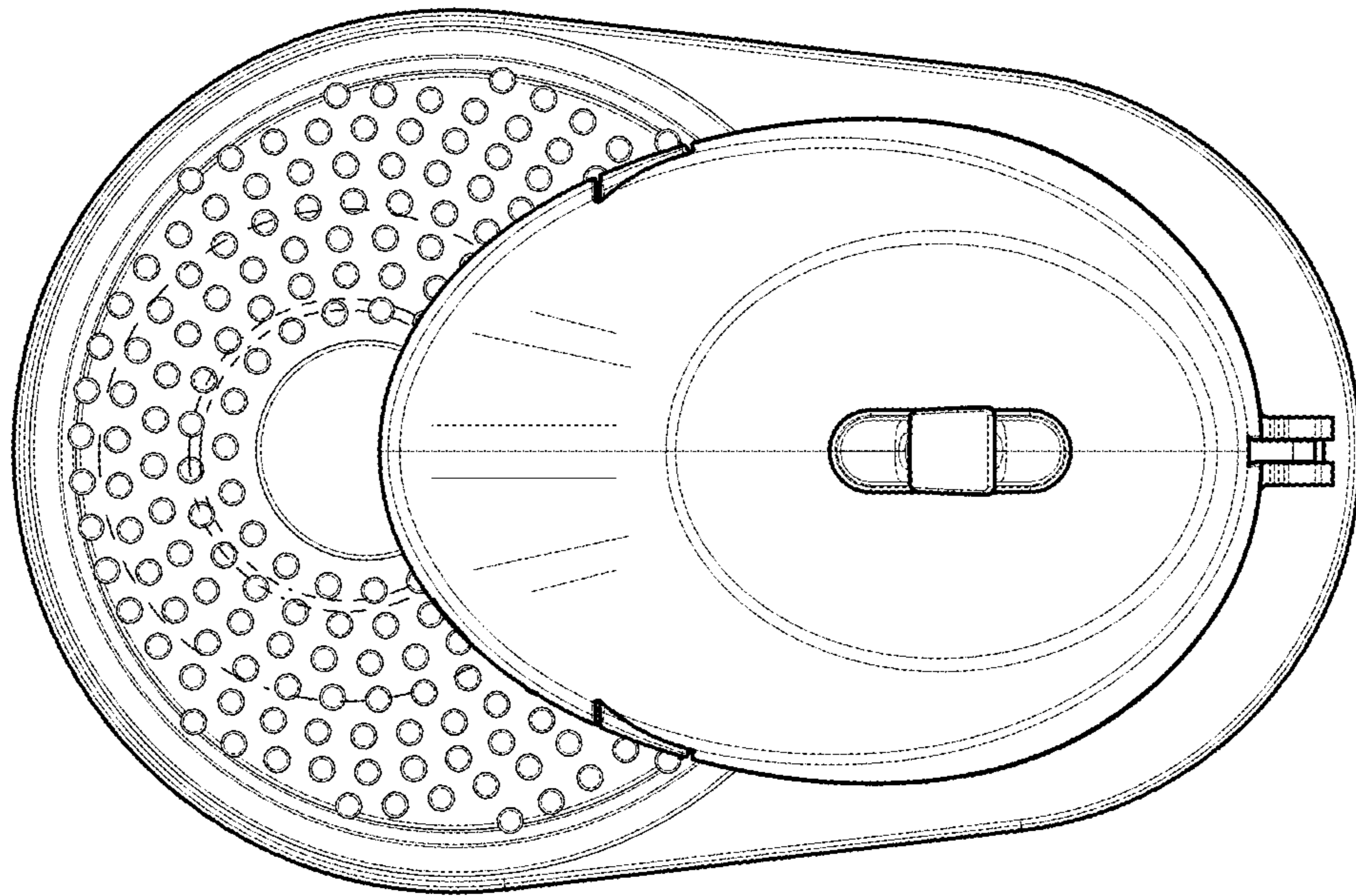


Figure 7

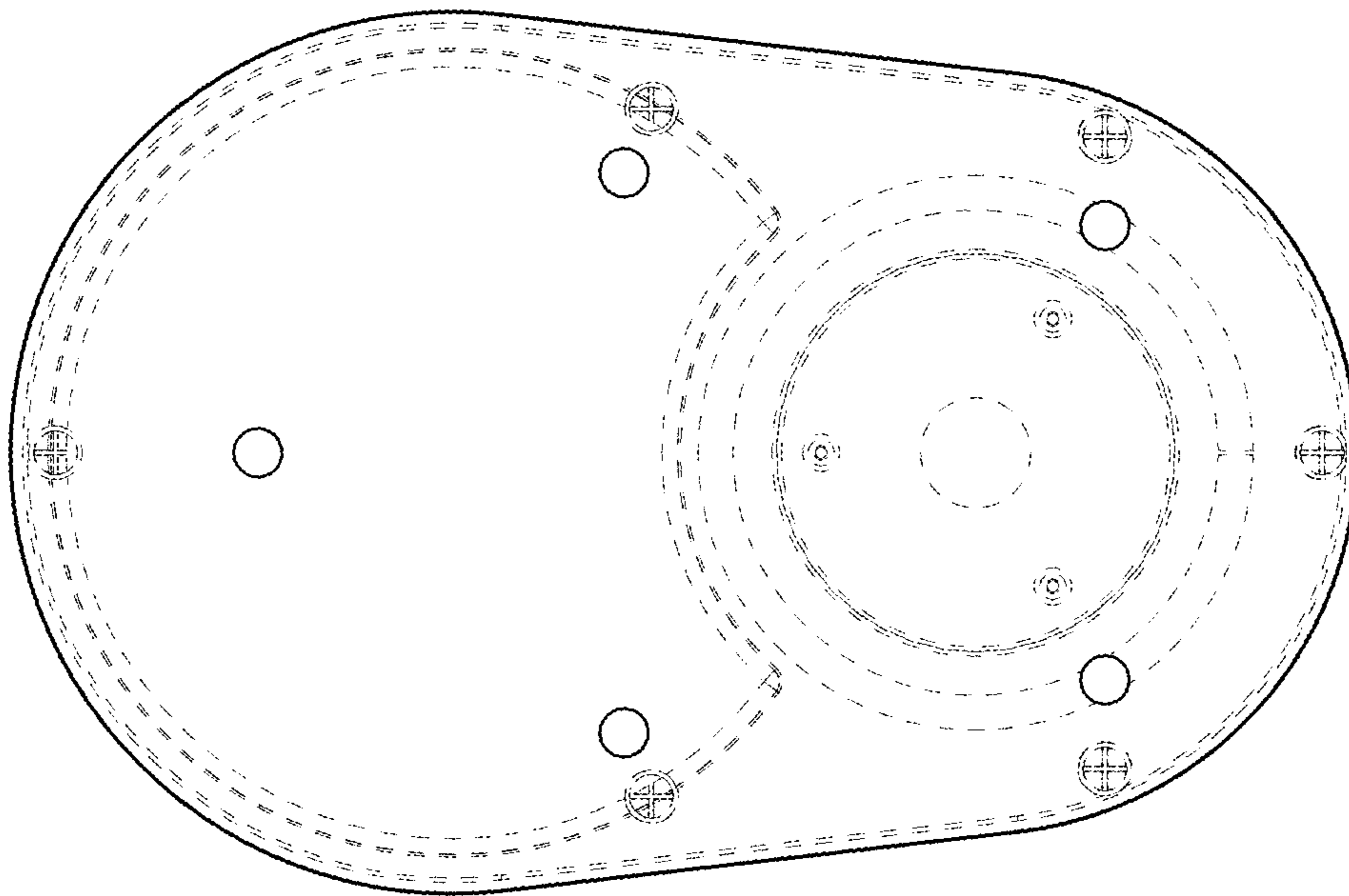


Figure 8