



US00D828059S

(12) **United States Design Patent**
Lunardi

(10) **Patent No.:** **US D828,059 S**

(45) **Date of Patent:** **** Sep. 11, 2018**

(54) **DISPLAY STAND FOR STONE SLABS**

(71) Applicant: **ANTOLINI LUIGI & C. S.P.A.**,
Sant'ambrogio di Valpolicella (IT)

(72) Inventor: **Mauro Lunardi**, Sega di Cavaion (IT)

(**) Term: **15 Years**

(21) Appl. No.: **35/503,116**

(22) Filed: **Dec. 6, 2016**

(80) **Hague Agreement Data**

Int. Filing Date: **Dec. 6, 2016**

Int. Reg. No.: **DM/093989**

Int. Reg. Date: **Dec. 6, 2016**

Int. Reg. Pub. Date: **Jun. 9, 2017**

(51) **LOC (11) Cl.** **06-04**

(52) **U.S. Cl.**
USPC **D6/682.4**

(58) **Field of Classification Search**
USPC D6/513, 672, 675, 682, 682.1-682.4
CPC A47F 5/00; A47F 5/0018; A47F 5/0021;
A47F 5/101; A47F 5/103; A47F 7/00;
A47F 7/0014; A47F 7/0042; A47F 7/146;
A47B 63/00; A47B 65/00; B65G 49/06;
B65G 49/062; G11B 33/0433; G11B
33/0455

See application file for complete search history.

(56) **References Cited**

U.S. PATENT DOCUMENTS

D161,139 S * 12/1950 Shapiro 211/41.1
2,975,089 A * 3/1961 Hargreaves A47G 27/0212
428/168
3,455,462 A * 7/1969 Morgan A47B 65/00
211/42

D224,003 S * 6/1972 Dumm, III A47B 63/00
D12/115
D243,647 S * 3/1977 Schoenfeld A47B 65/00
D6/682.4
4,396,123 A * 8/1983 Swan G11B 23/0236
211/40
D289,586 S * 5/1987 Staab G11B 23/0236
D6/672
4,929,861 A * 5/1990 Metcalf G11B 23/0236
206/387.15
D401,451 S * 11/1998 Sherman D6/682.4
6,082,553 A * 7/2000 Stravitz A47B 63/00
206/308.1
7,510,091 B2 * 3/2009 Sollers B65D 19/0002
211/41.14
2010/0108547 A1 * 5/2010 Mender G11B 33/0455
206/308.1
2015/0166268 A1 * 6/2015 McHugh B65G 49/062
211/41.14

* cited by examiner

Primary Examiner — Mary Ann Calabrese

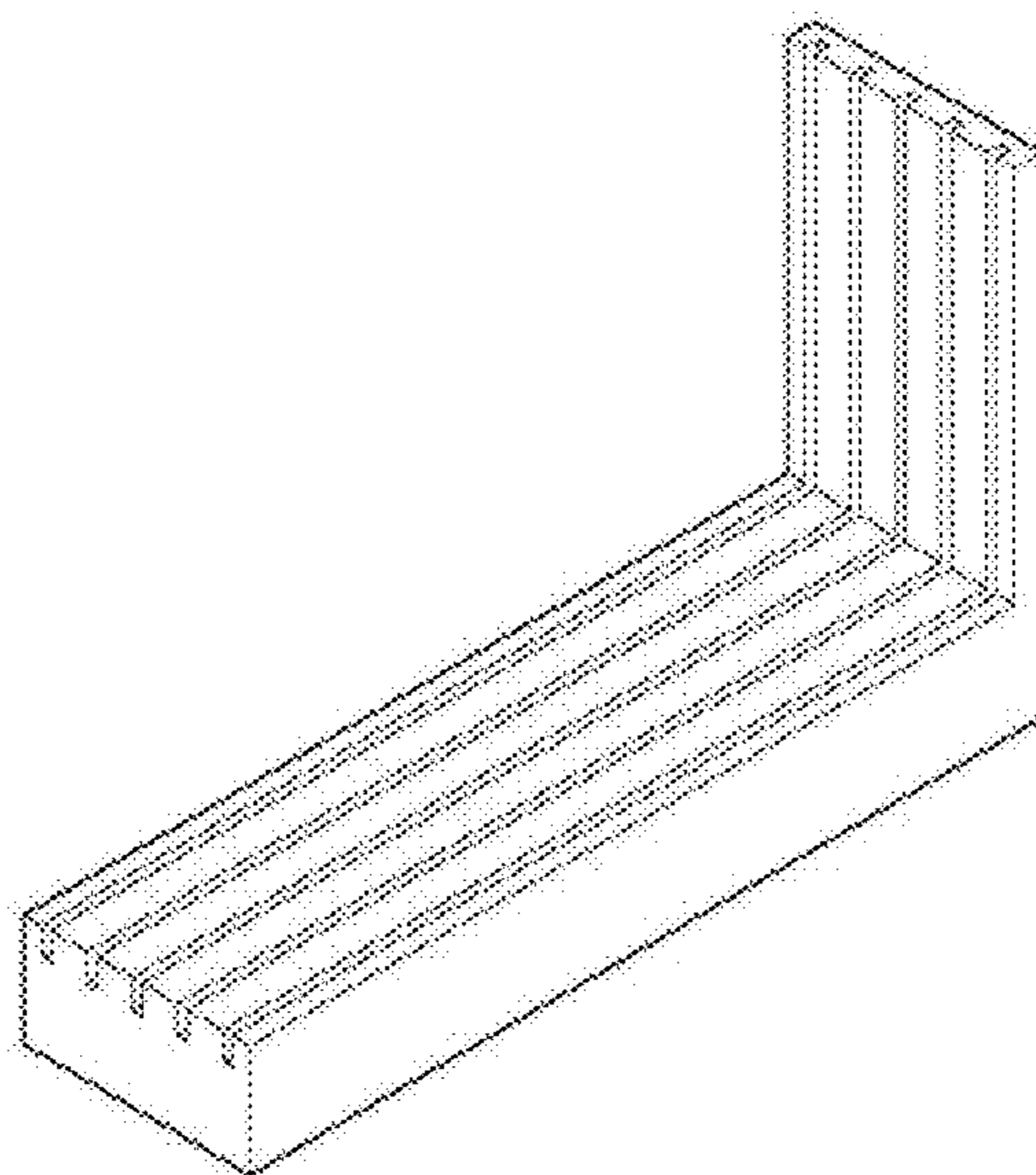
(57) **CLAIM**

The ornamental design for a display stand for stone slabs, as shown and described.

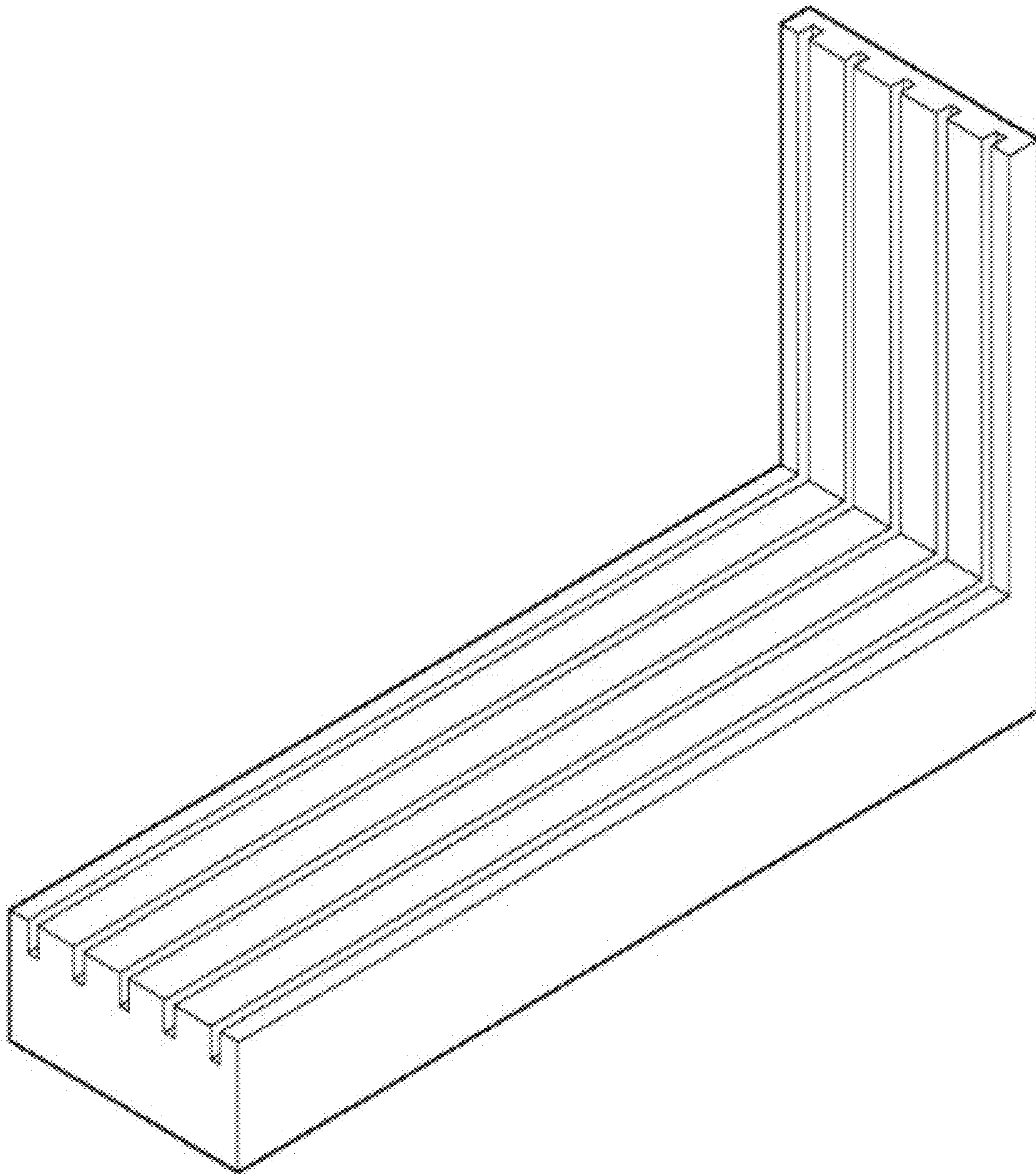
DESCRIPTION

1.-2. Display stands
1.1 is a perspective view of a first embodiment of a display stand for stone slabs;
1.2 is a top view of the display stand of 1.1;
1.3 is a front view of the display stand of 1.1;
1.4 is a left view of the display stand of 1.1;
2.1 is a perspective view of a second embodiment of a display stand for stone slabs;
2.2 is a top view of the display stand of 2.1;
2.3 is a front view of the display stand of 2.1; and,
2.4 is a left view of the display stand of 2.1.

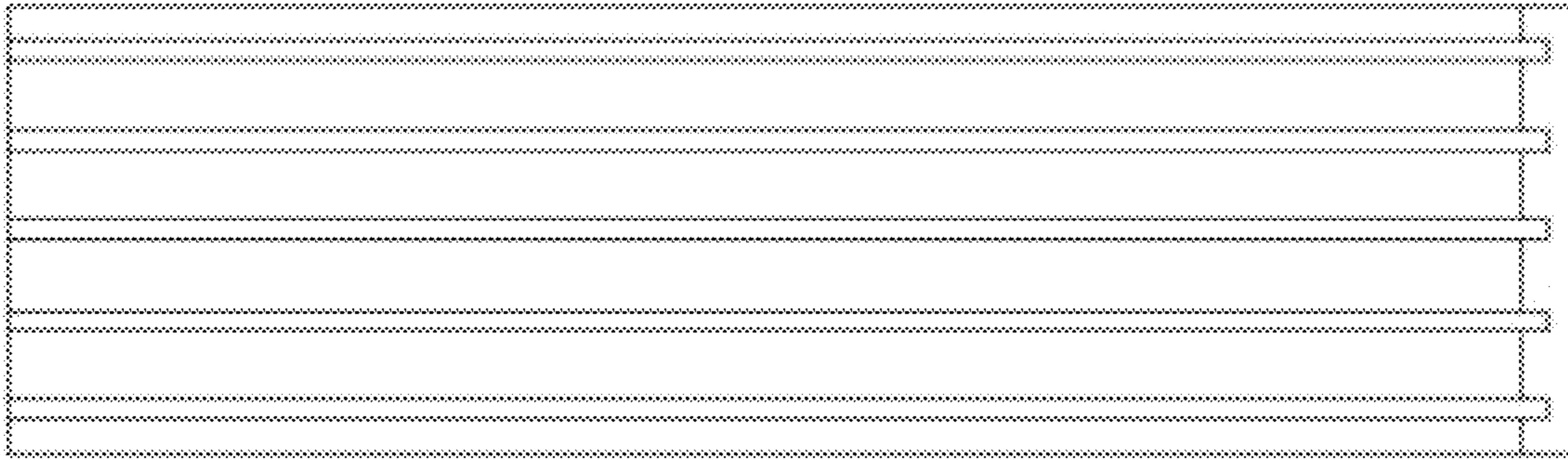
1 Claim, 8 Drawing Sheets



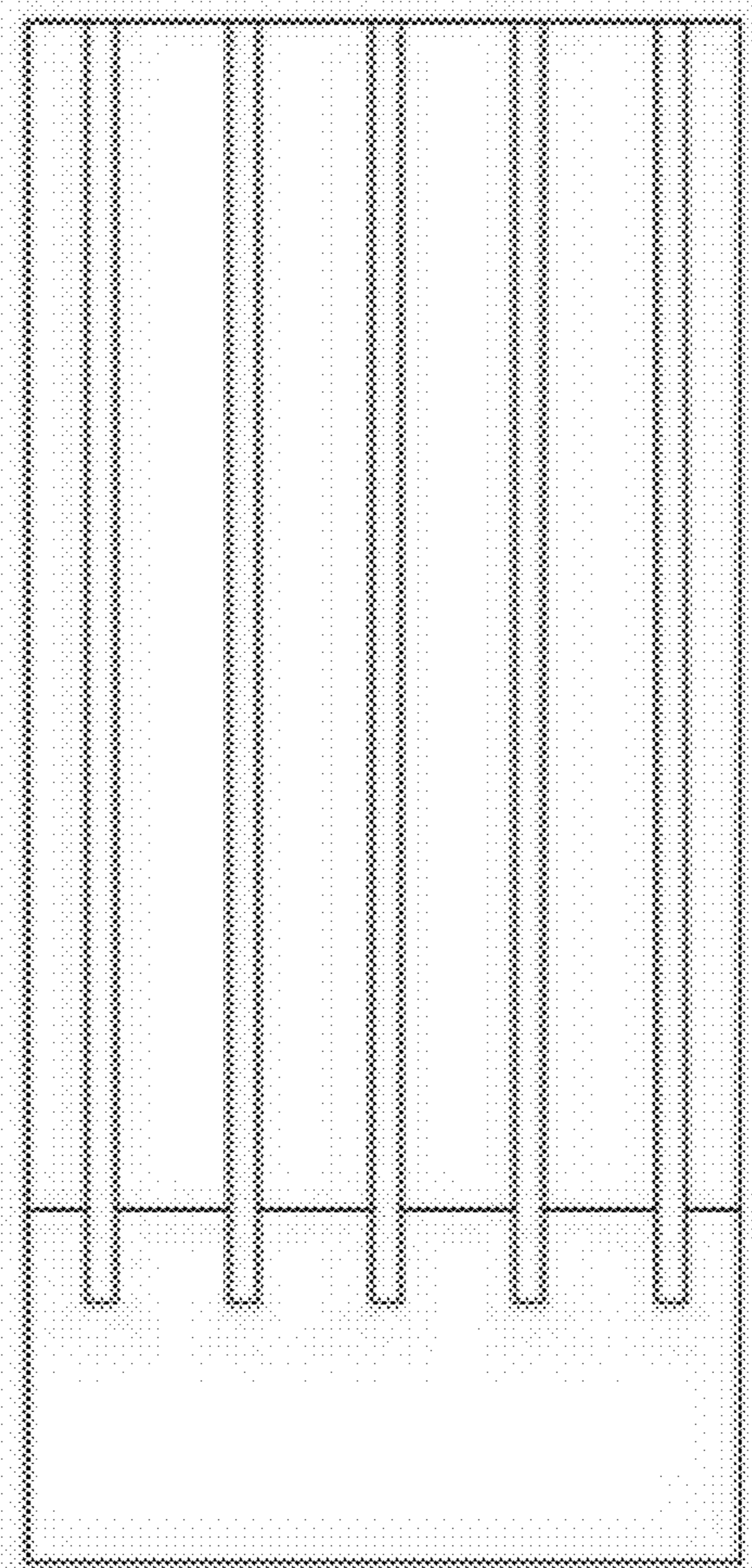
1.1



1.2



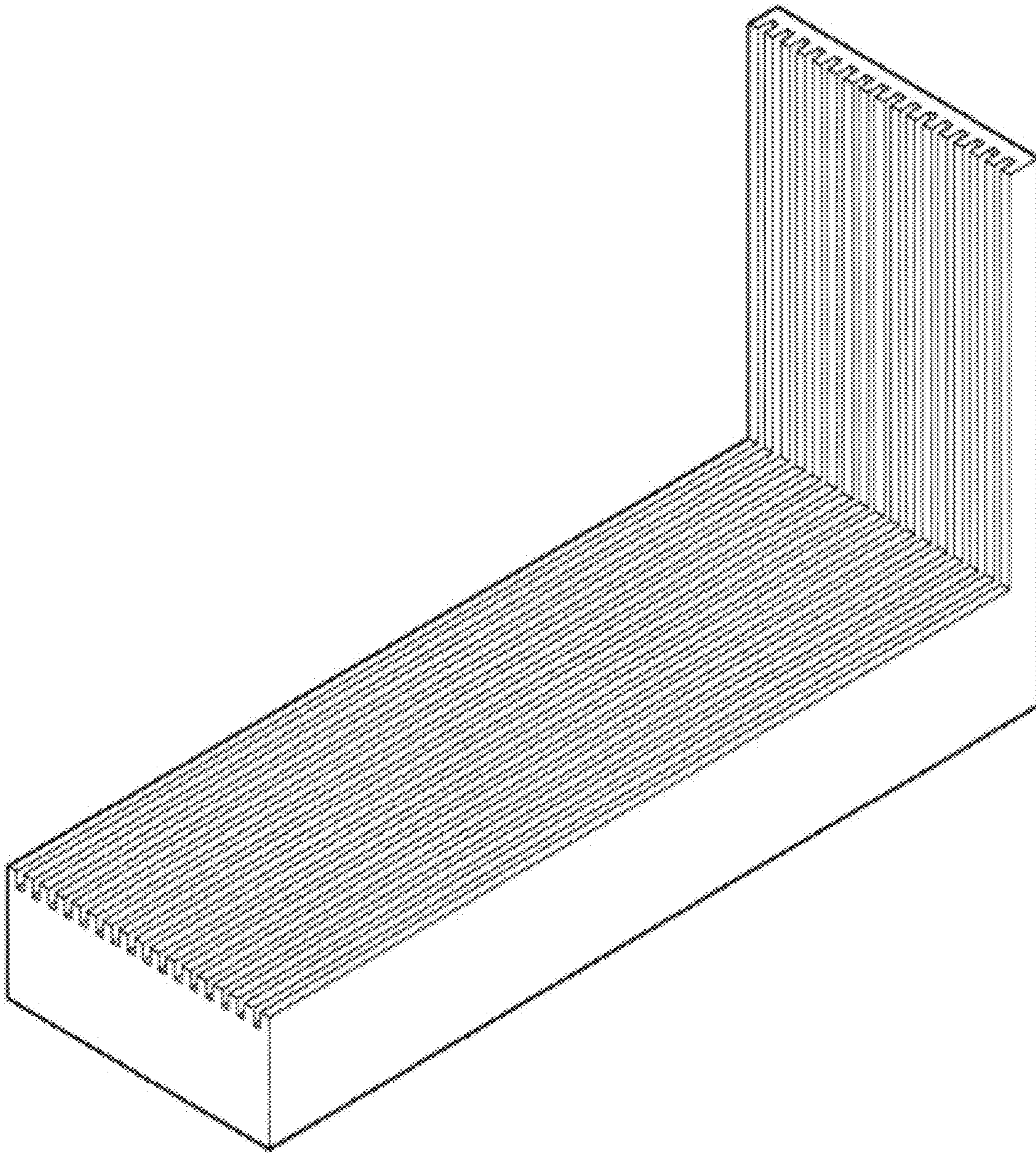
1.3



1.4



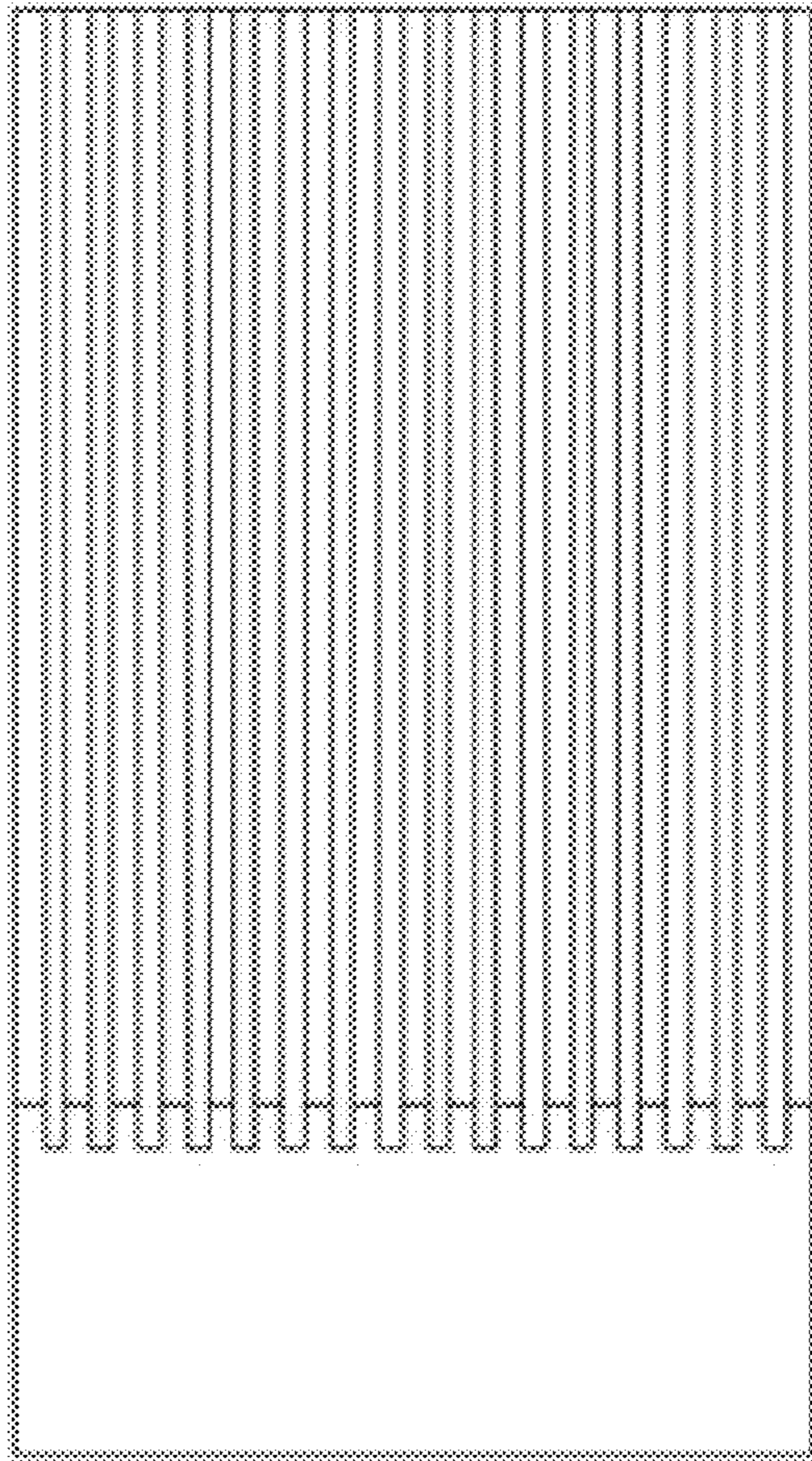
2.1



2.2



2.3



2.4

