



US00D828058S

(12) **United States Design Patent** (10) **Patent No.:** **US D828,058 S**
Khanicheh et al. (45) **Date of Patent:** **** Sep. 11, 2018**

(54) **STAND** 5,110,076 A * 5/1992 Snyder A61M 5/1415
248/125.3
(71) Applicant: **HOYA Corporation**, Tokyo (JP) D326,969 S * 6/1992 Eason D14/224
D332,311 S * 1/1993 Redding D24/128
(72) Inventors: **Azadeh Khanicheh**, Somerville, MA 5,613,305 A * 3/1997 Narrin A45D 20/12
(US); **Isaac Ostrovsky**, Wellesley, MA 34/90
(US); **Michael Barenboym**, Boston,
MA (US); **Hrishikesh Vishvas Deo**,
Brooklyn, NY (US)

(Continued)

FOREIGN PATENT DOCUMENTS

(73) Assignee: **HOYA CORPORATION**, Tokyo (JP)
(**) Term: **15 Years**

JP 2004-275203 A 10/2004
Primary Examiner — John Windmuller
Assistant Examiner — Steven J Czyz
(74) *Attorney, Agent, or Firm* — Finnegan, Henderson,
Farabow, Garrett & Dunner, L.L.P.

(21) Appl. No.: **29/592,651**
(22) Filed: **Feb. 1, 2017**
(51) **LOC (11) Cl.** **06-04**
(52) **U.S. Cl.**
USPC **D6/681**; D24/128
(58) **Field of Classification Search**
USPC D6/672, 681, 681.1, 682, 682.1, 682.3,
D6/682.5, 700, 701; D14/209.1, 211,
D14/227, 228, 229; D24/128, 232, 234
CPC A61B 1/00149; A61B 50/22; A61B 50/26;
F16M 11/046
See application file for complete search history.

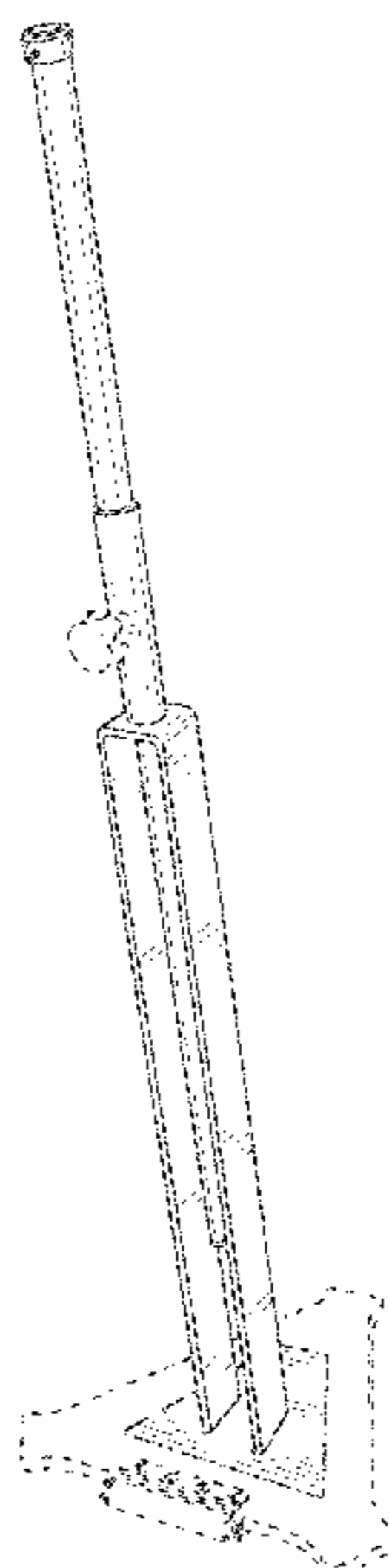
(57) **CLAIM**
The ornamental design for a stand, as shown and described.

DESCRIPTION

(56) **References Cited**
U.S. PATENT DOCUMENTS
3,648,960 A * 3/1972 Krekeler E21D 15/18
248/354.2
D253,323 S * 11/1979 Blatzer D6/310
D262,535 S * 1/1982 Fisher D14/229
4,744,536 A * 5/1988 Bancalari A61M 5/1415
248/125.8
4,854,301 A * 8/1989 Nakajima A61B 1/00147
297/217.3
5,016,384 A * 5/1991 Johnson A01K 97/10
43/21.2
5,048,789 A * 9/1991 Eason F16M 11/10
248/188.7

FIG. 1 is a top, front, right perspective view of a stand, showing our new design;
FIG. 2 is a bottom, rear, left perspective view thereof;
FIG. 3 is a front elevation view thereof;
FIG. 4 is a rear elevation view thereof;
FIG. 5 is left side elevation view thereof;
FIG. 6 is right side elevation view thereof;
FIG. 7 is a top plan view thereof;
FIG. 8 is a bottom plan view thereof;
FIG. 9 is a top, front, left perspective view of the top portion of the stand, shown enlarged;
FIG. 10 is a front elevation view thereof, with the rear elevation view being a mirror image thereof; and,
FIG. 11 is a left side view thereof, with the right side view being a mirror image thereof.
The evenly broken lines depict portions of the article that form no part of the claimed design. The dot-dash-dot lines depict the boundary of the claimed design and form no part thereof.

1 Claim, 8 Drawing Sheets



(56)

References Cited

U.S. PATENT DOCUMENTS

6,248,101 B1 * 6/2001 Whitmore, III ... A61B 1/00149
606/1
D459,106 S * 6/2002 Walter D6/681.1
D552,659 S * 10/2007 Stephens D16/237
D606,775 S * 12/2009 Hessler D6/680.3
D625,528 S * 10/2010 Sprague D6/681
D646,501 S * 10/2011 Hepeng D6/681.1
D685,448 S * 7/2013 O'Donnell D22/147
D728,284 S * 5/2015 Nentwich D6/682.5
D774,022 S * 12/2016 Huang D14/209.1
D783,837 S * 4/2017 Janzen D24/186
D790,868 S * 7/2017 Gorman D6/310
D791,937 S * 7/2017 Schoenig D24/128
D796,047 S * 8/2017 Janzen D24/186
2002/0154789 A1 * 10/2002 Rodgers F16M 11/041
381/363
2007/0023587 A1 * 2/2007 Eggleston A61M 5/1415
248/98
2008/0154089 A1 * 6/2008 Kanazawa A61B 1/00149
600/102
2008/0188868 A1 * 8/2008 Weitzner A61B 1/0014
600/130
2013/0168526 A1 * 7/2013 Walther A61M 5/1415
248/519
2013/0291364 A1 * 11/2013 Blake B62H 1/06
29/428
2017/0027422 A1 * 2/2017 Khanicheh A61B 1/00149

* cited by examiner

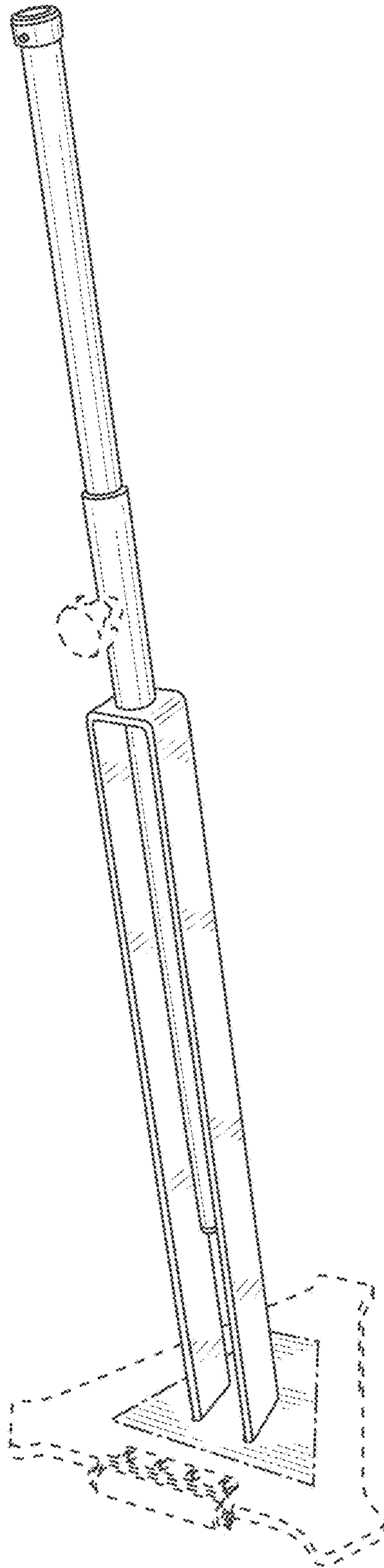


FIG. 1

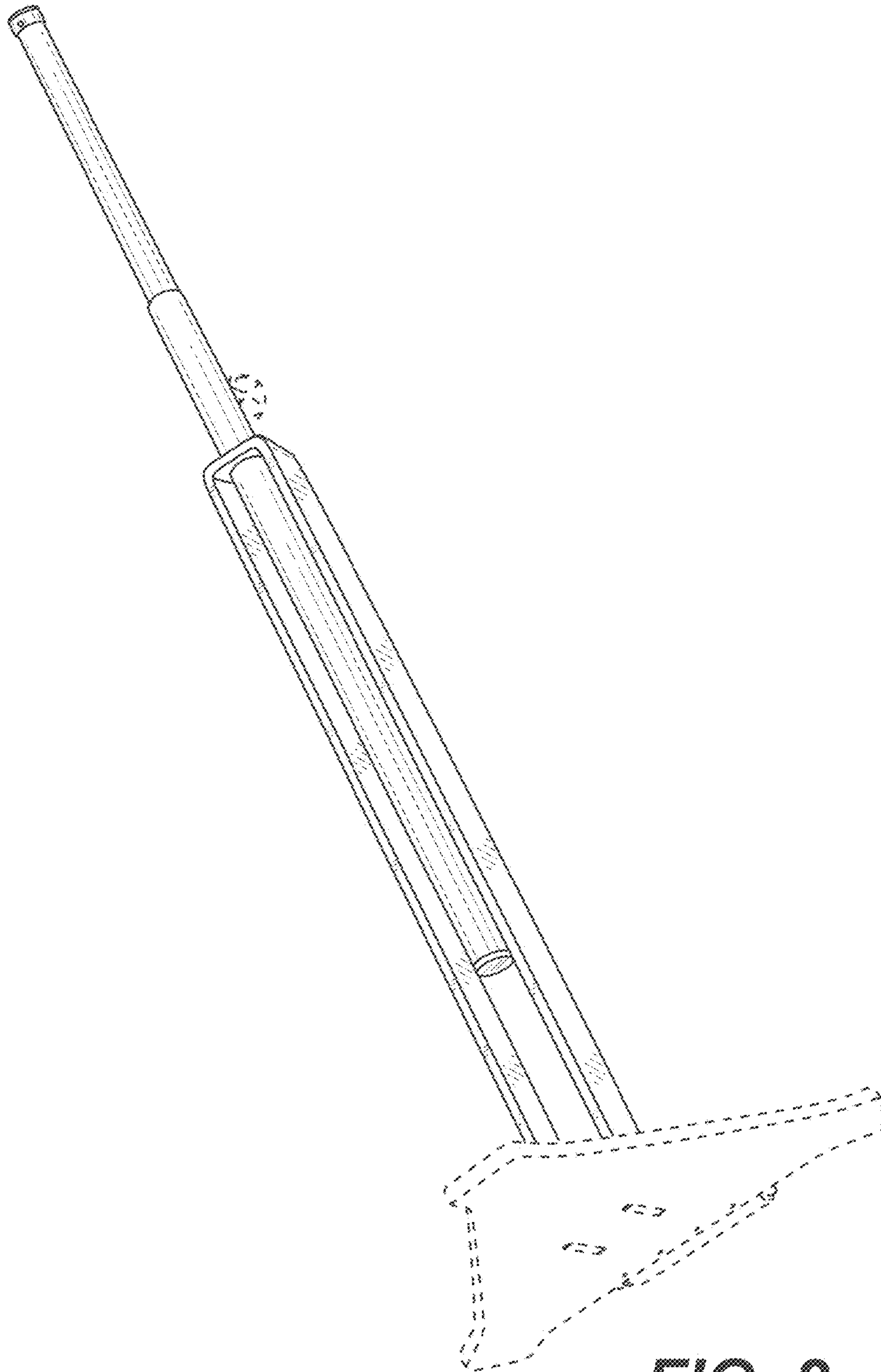


FIG. 2

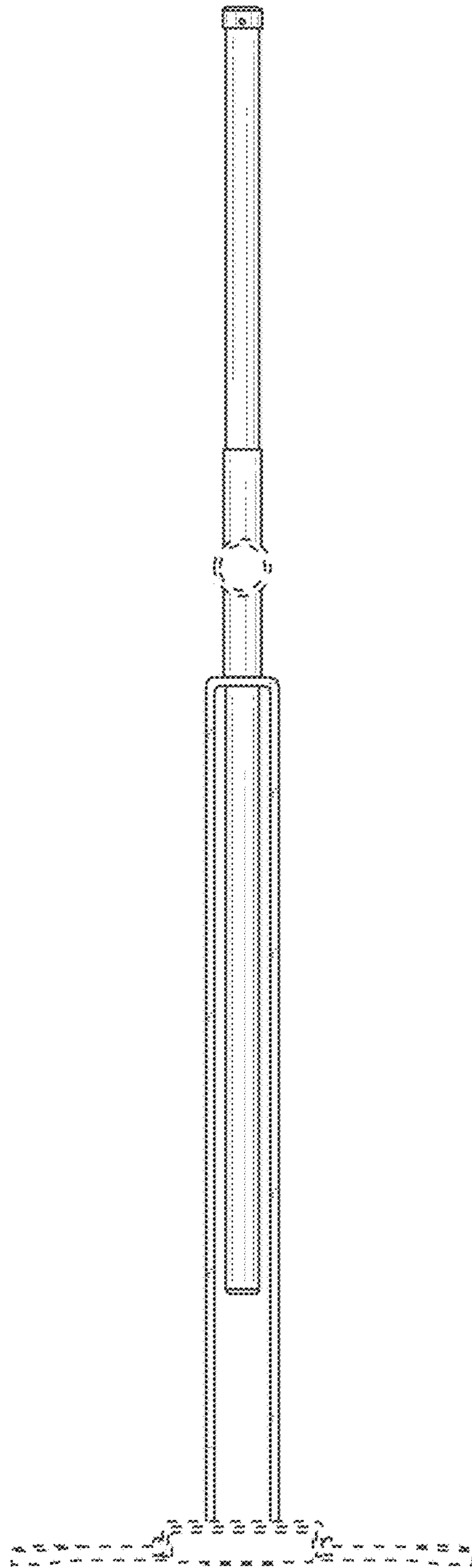


FIG. 3

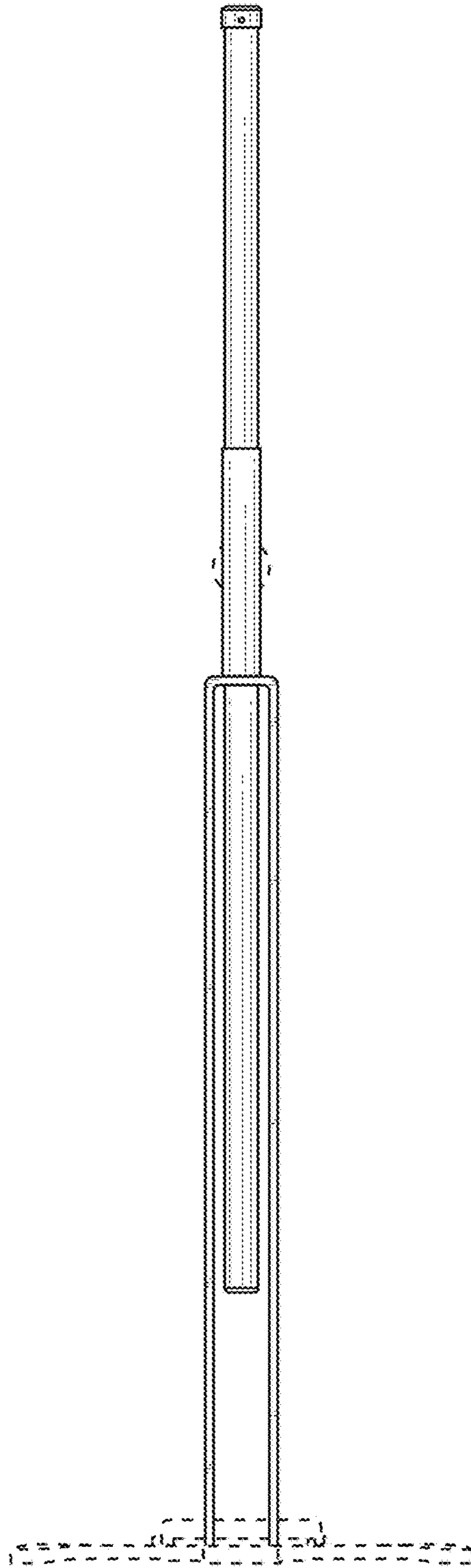


FIG. 4

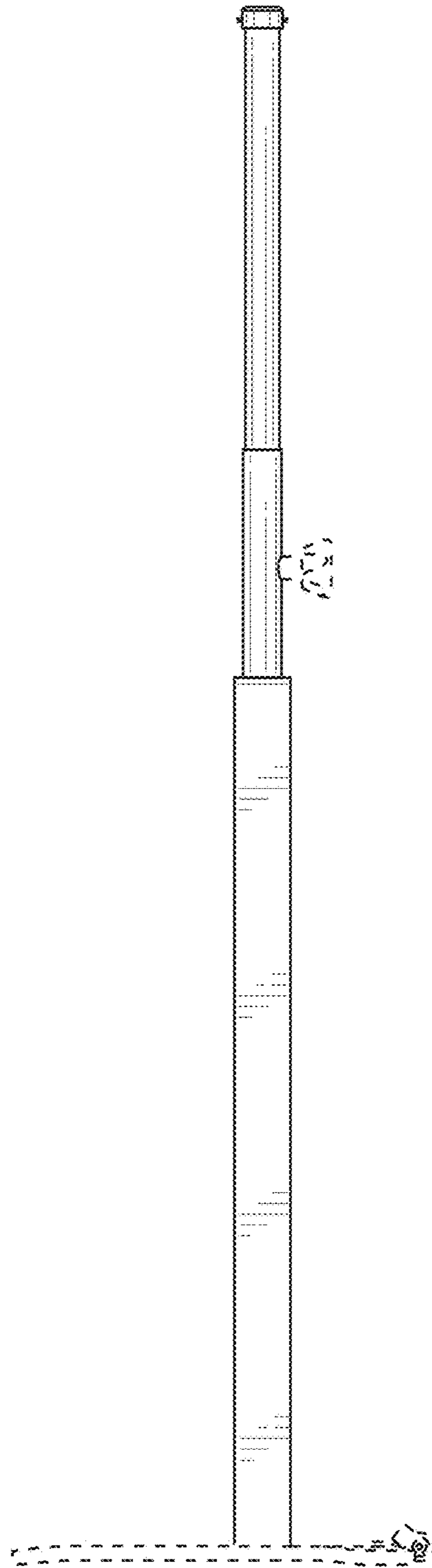


FIG. 5

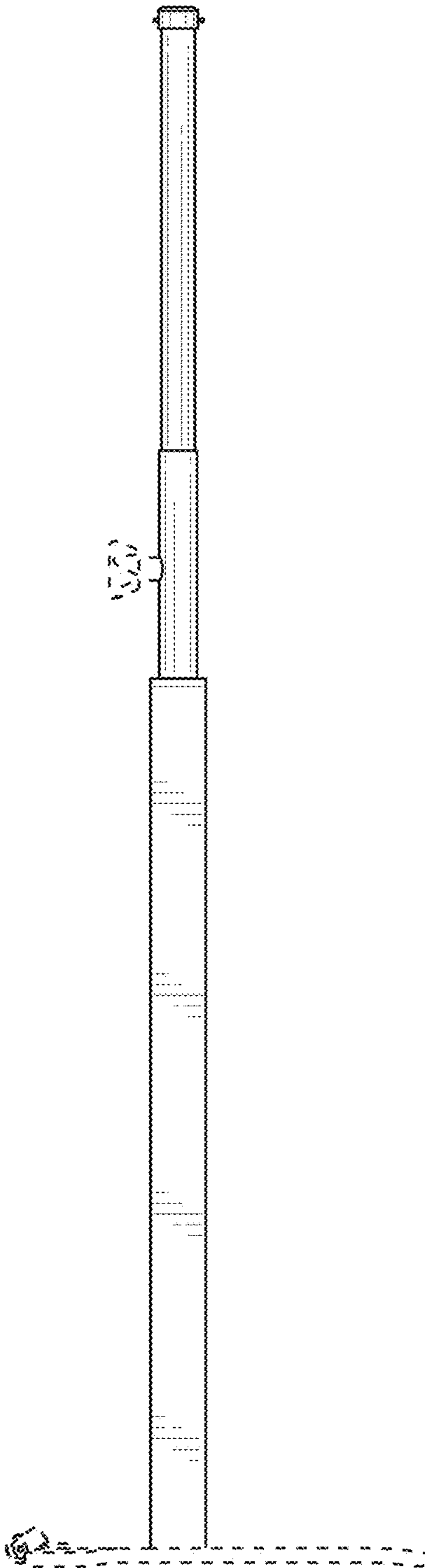


FIG. 6

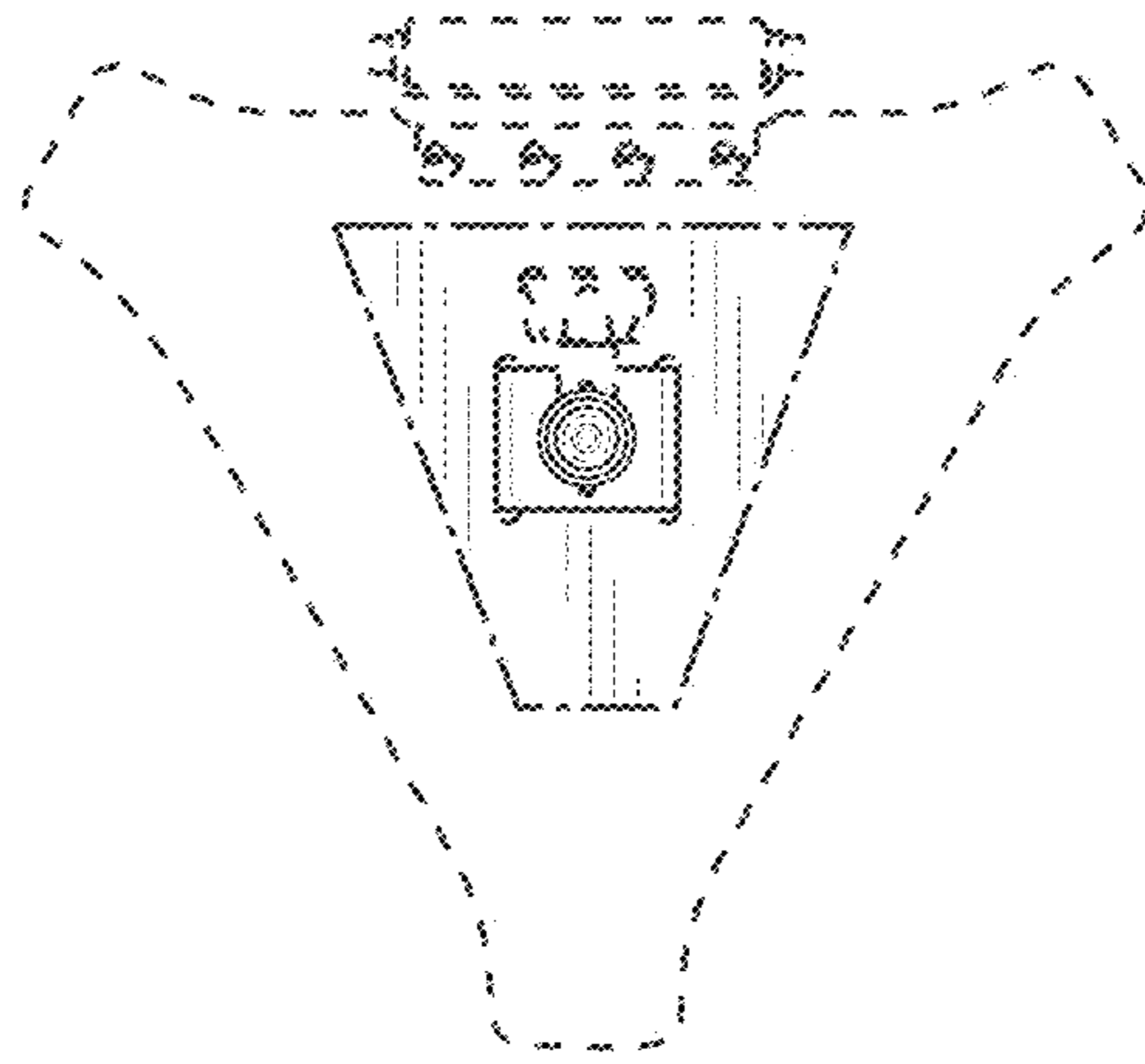


FIG. 7

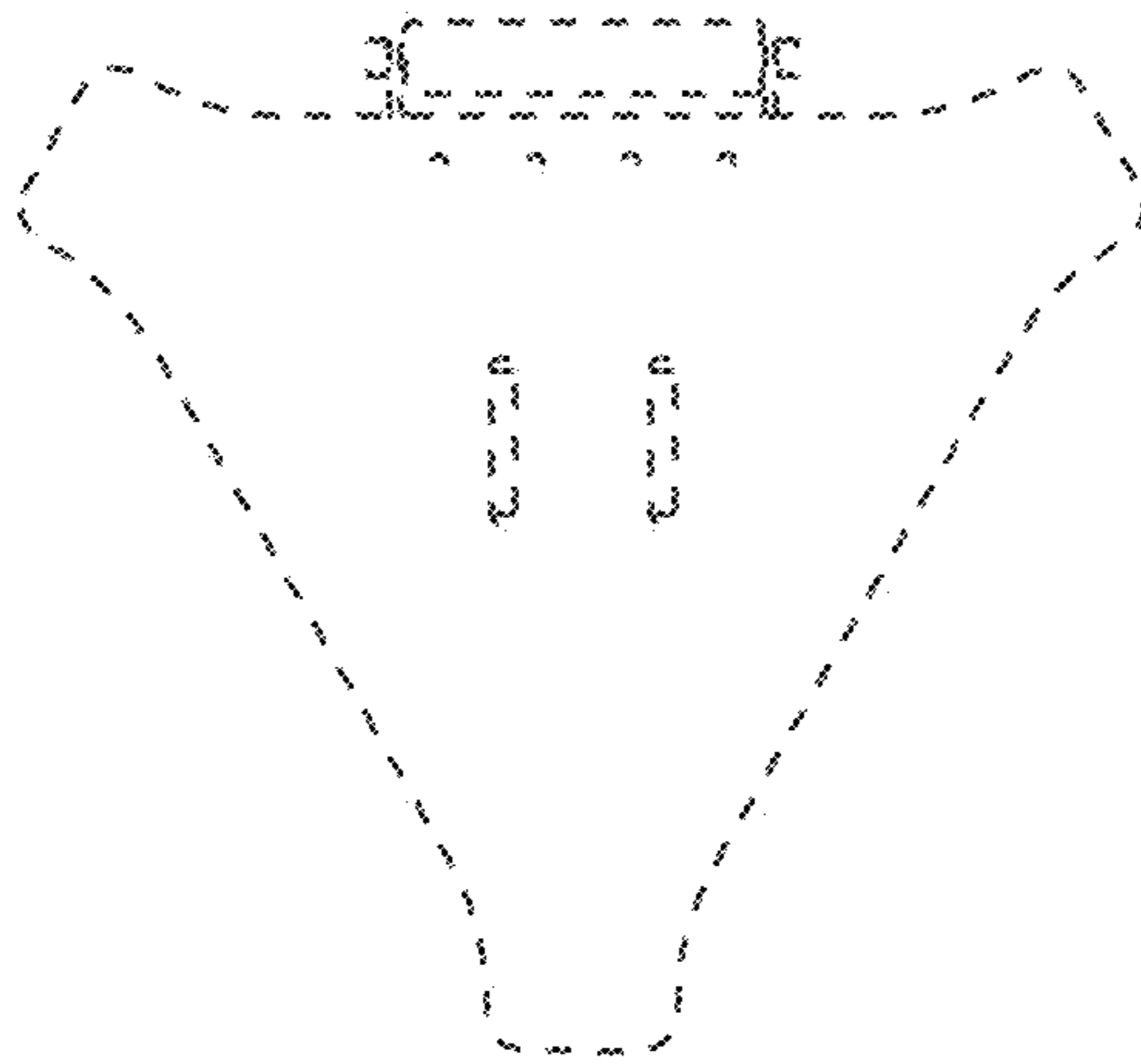


FIG. 8

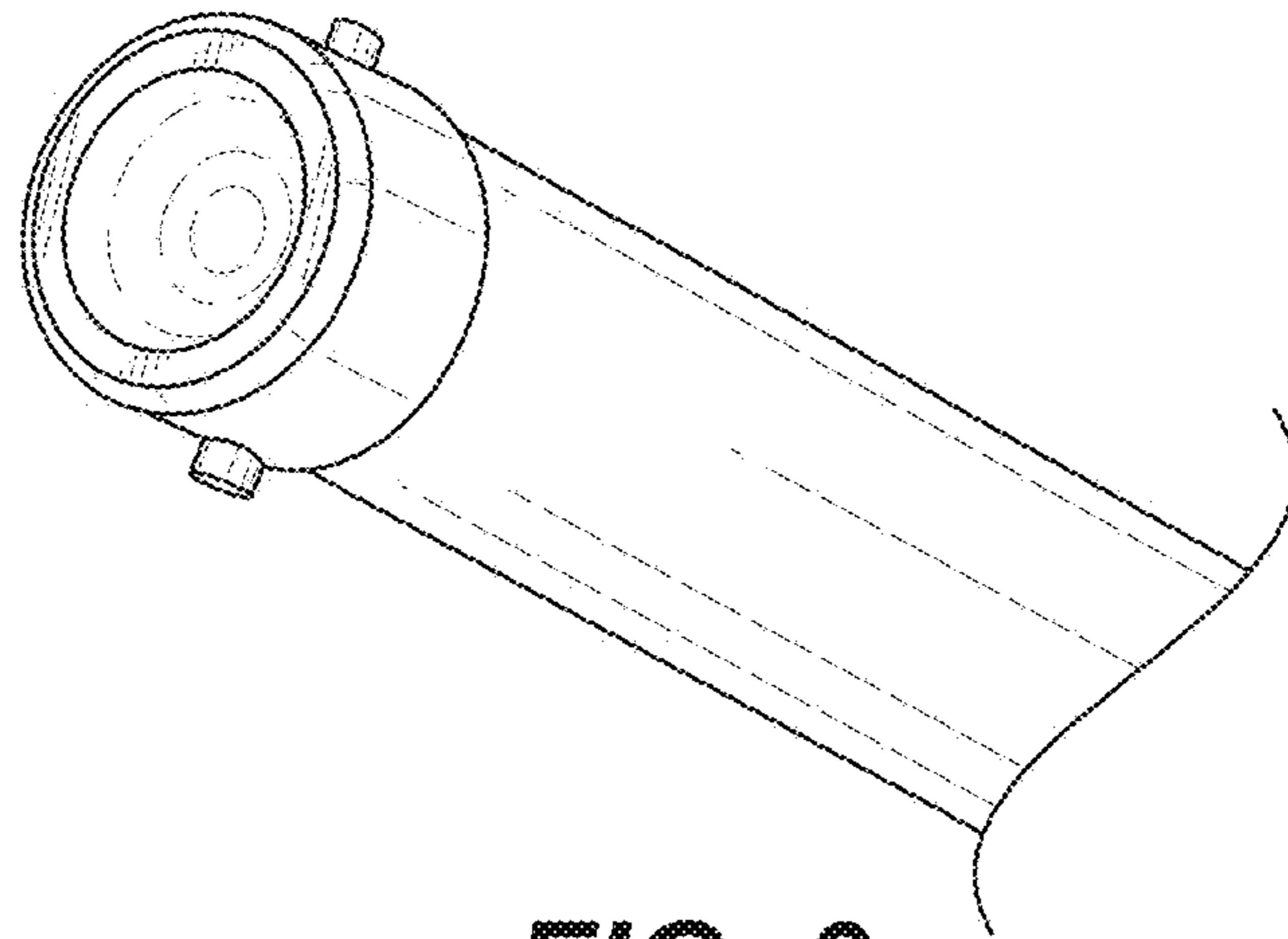


FIG. 9

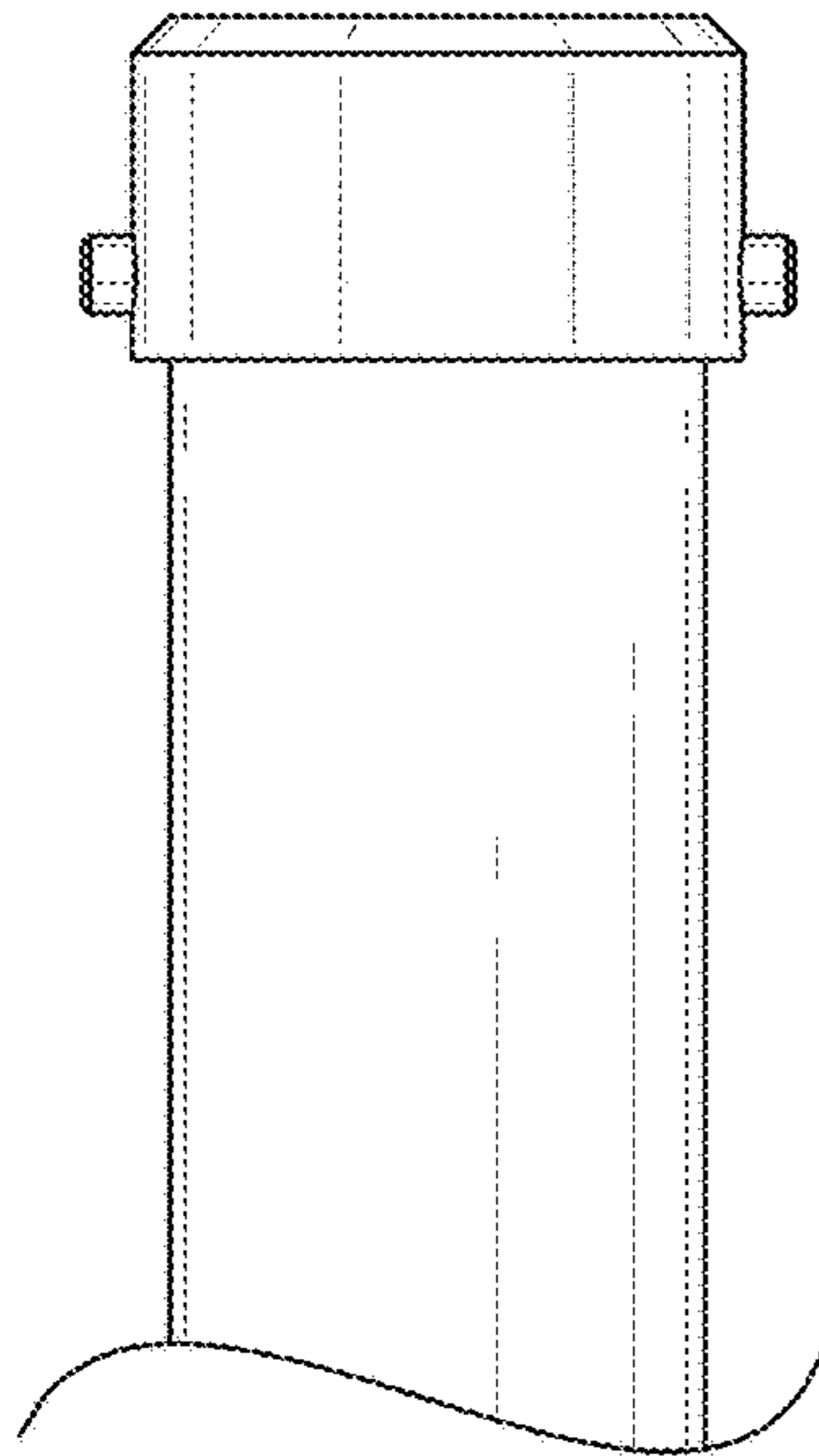


FIG. 10

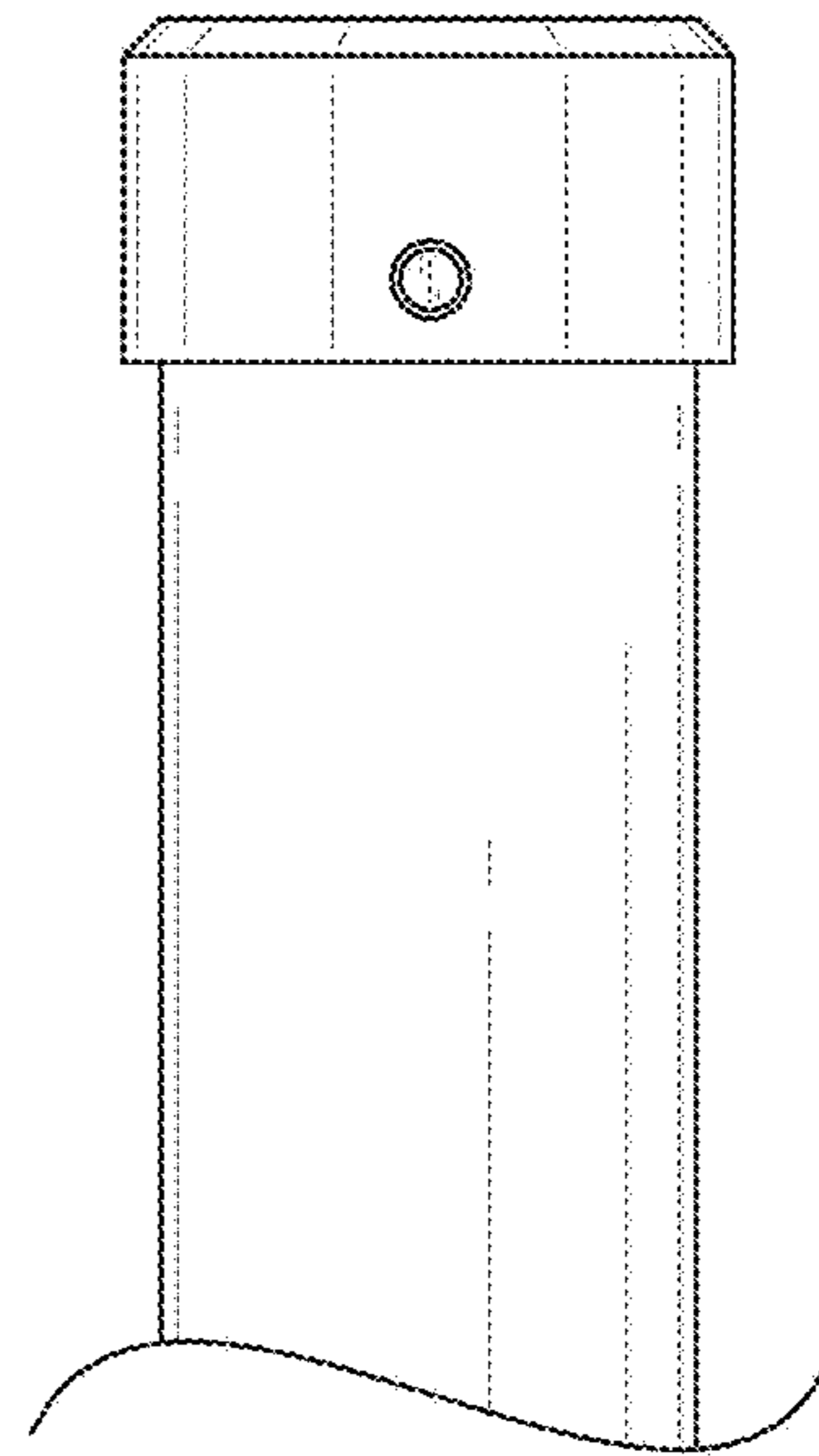


FIG. 11