



US00D828057S

(12) **United States Design Patent**
Yaguchi

(10) **Patent No.:** **US D828,057 S**

(45) **Date of Patent:** **** Sep. 11, 2018**

- (54) **ORIGAMI STAND**
- (71) Applicant: **Taro Yaguchi**, Philadelphia, PA (US)
- (72) Inventor: **Taro Yaguchi**, Philadelphia, PA (US)
- (**) Term: **15 Years**
- (21) Appl. No.: **29/578,738**
- (22) Filed: **Sep. 23, 2016**
- (51) **LOC (11) Cl.** **06-04**
- (52) **U.S. Cl.**
USPC **D6/681**
- (58) **Field of Classification Search**
USPC D6/313, 332, 672, 681, 681.1, 682,
D6/682.5; D16/241, 244; D20/10, 41,
D20/42
CPC .. A47F 5/0006; A47F 5/01; A47F 5/10; A47F
5/13; A47F 7/142; A47F 7/143
See application file for complete search history.

- 4,200,024 A * 4/1980 Watson G10D 13/06
84/421
- 4,315,572 A * 2/1982 Clare B42D 17/00
211/105.1
- D268,458 S * 4/1983 Schoenig D16/244
- D288,755 S * 3/1987 Schoenig D6/681.1
- 4,744,690 A * 5/1988 Hsieh F16B 7/1418
248/411
- D298,041 S * 10/1988 Chang D17/9
- 4,988,064 A * 1/1991 Hoshino F16M 11/046
248/165
- D334,217 S * 3/1993 Minehart D20/41
- D384,979 S * 10/1997 Greene, Jr. D20/41
- D428,186 S * 7/2000 Leen D26/138
- D447,262 S * 8/2001 Leen D26/65
- D450,339 S * 11/2001 Eason D16/244
- D462,538 S * 9/2002 Bonsall D6/681.1
- D466,719 S * 12/2002 Fitzpatrick D6/681.3
- 6,745,909 B1 * 6/2004 Lai A47G 25/0664
211/204
- D557,035 S * 12/2007 Huang D6/701

(Continued)

Primary Examiner — John Windmuller
Assistant Examiner — Steven J Czyz
 (74) *Attorney, Agent, or Firm* — Konomi Takeshita

(56) **References Cited**

U.S. PATENT DOCUMENTS

- 1,394,596 A * 10/1921 Mayer F21V 21/22
248/171
- 1,510,272 A * 9/1924 Harmount A47G 25/0664
211/204
- D120,114 S * 4/1940 Waechter et al. D6/701
- D181,708 S * 12/1957 Cooley et al. D16/241
- 2,845,244 A * 7/1958 Prokop F16M 11/16
160/24
- 2,893,568 A * 7/1959 Scholz A47F 5/13
211/204
- 2,893,767 A * 7/1959 Buchman A47G 25/0664
211/204
- 3,064,932 A * 11/1962 Holderman F16M 11/28
248/171
- 3,805,966 A * 4/1974 Wakeman A47F 5/13
211/175
- 4,036,465 A * 7/1977 Kellner A47B 19/08
248/463

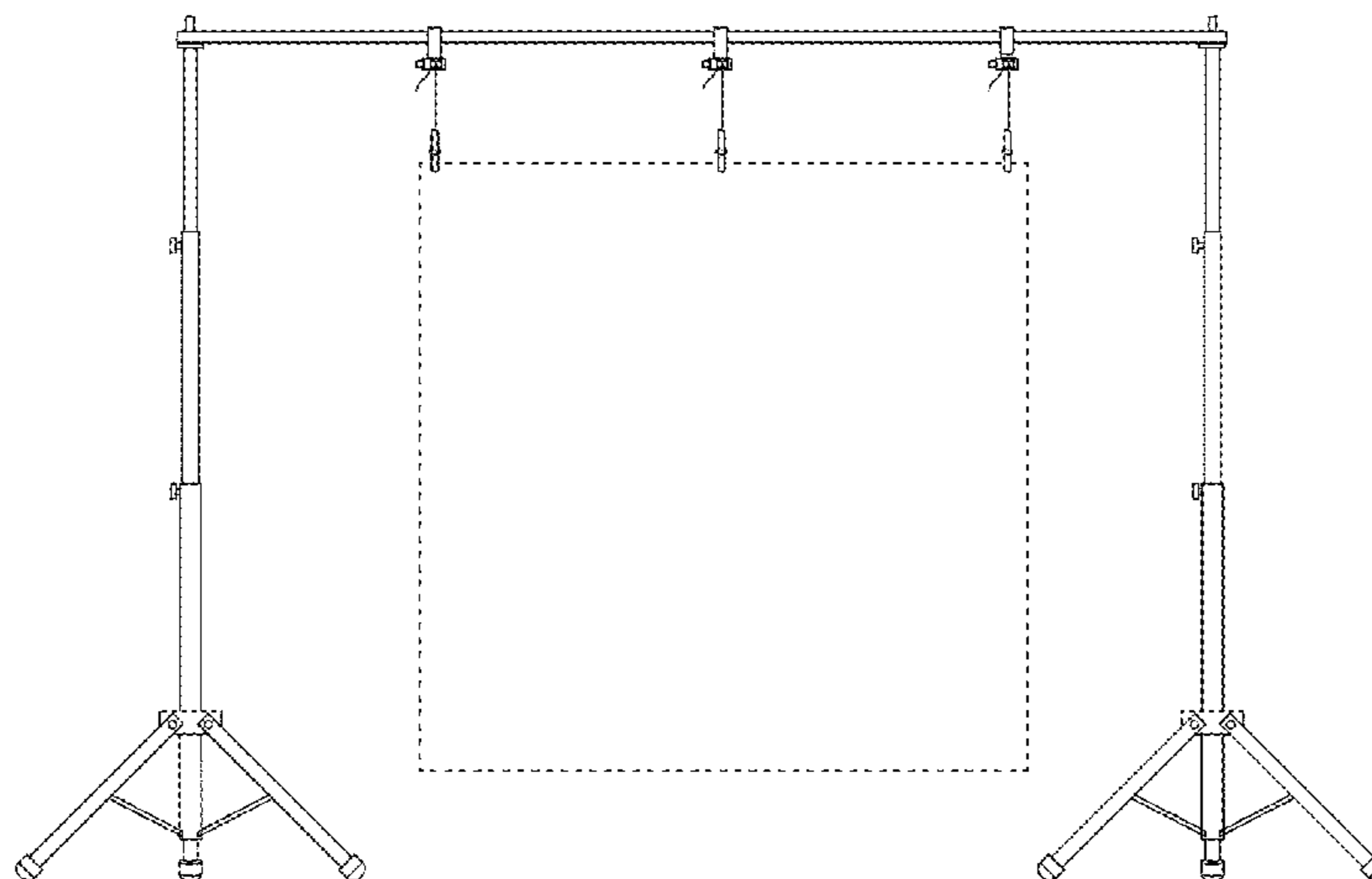
(57) **CLAIM**

The ornamental design for an origami stand, substantially as shown and described.

DESCRIPTION

FIG. 1 is a front view of an origami stand, showing my new design;
 FIG. 2 is a top plan view thereof;
 FIG. 3 is a bottom plan view thereof;
 FIG. 4 is a right side view thereof; and,
 FIG. 5 is a left view thereof.
 The broken lines depict environment that forms no part of the claimed design.

1 Claim, 3 Drawing Sheets



(56)

References Cited

U.S. PATENT DOCUMENTS

D570,618 S * 6/2008 Tai D14/229
 D584,362 S * 1/2009 Cowgill D20/41
 7,581,343 B1 * 9/2009 Baxter G09F 15/0025
 40/603
 7,832,574 B1 * 11/2010 Sexton A47G 25/0664
 211/195
 D657,977 S * 4/2012 Belitz D6/681.1
 D684,209 S * 6/2013 Measom D16/241
 D719,612 S * 12/2014 Aleman D20/41
 D720,384 S * 12/2014 Holmen D16/244
 D723,311 S * 3/2015 Jiang D14/253
 D736,548 S * 8/2015 Hornsby D6/681.1
 D785,381 S * 5/2017 Johnson D6/681
 D785,382 S * 5/2017 Hausner D6/681.2
 D790,892 S * 7/2017 Chung D6/681
 2004/0112854 A1 * 6/2004 Lai A47G 25/0664
 211/206

2005/0036308 A1 * 2/2005 Wright F21V 21/06
 362/190
 2006/0065615 A1 * 3/2006 Wang A47B 91/02
 211/206
 2007/0289185 A1 * 12/2007 Huston G09F 7/18
 40/617
 2008/0030998 A1 * 2/2008 Tsai F21V 21/06
 362/382
 2008/0283205 A1 * 11/2008 Zimmer A47H 13/04
 160/330
 2009/0294077 A1 * 12/2009 Zimmer A47H 1/02
 160/168.1 R
 2010/0294900 A1 * 11/2010 Maurer A45F 3/44
 248/156
 2010/0328962 A1 * 12/2010 Liu F21V 21/06
 362/384
 2012/0085719 A1 * 4/2012 Duemmel A45B 11/00
 211/60.1
 2014/0318085 A1 * 10/2014 Sill B65B 5/045
 53/473

* cited by examiner

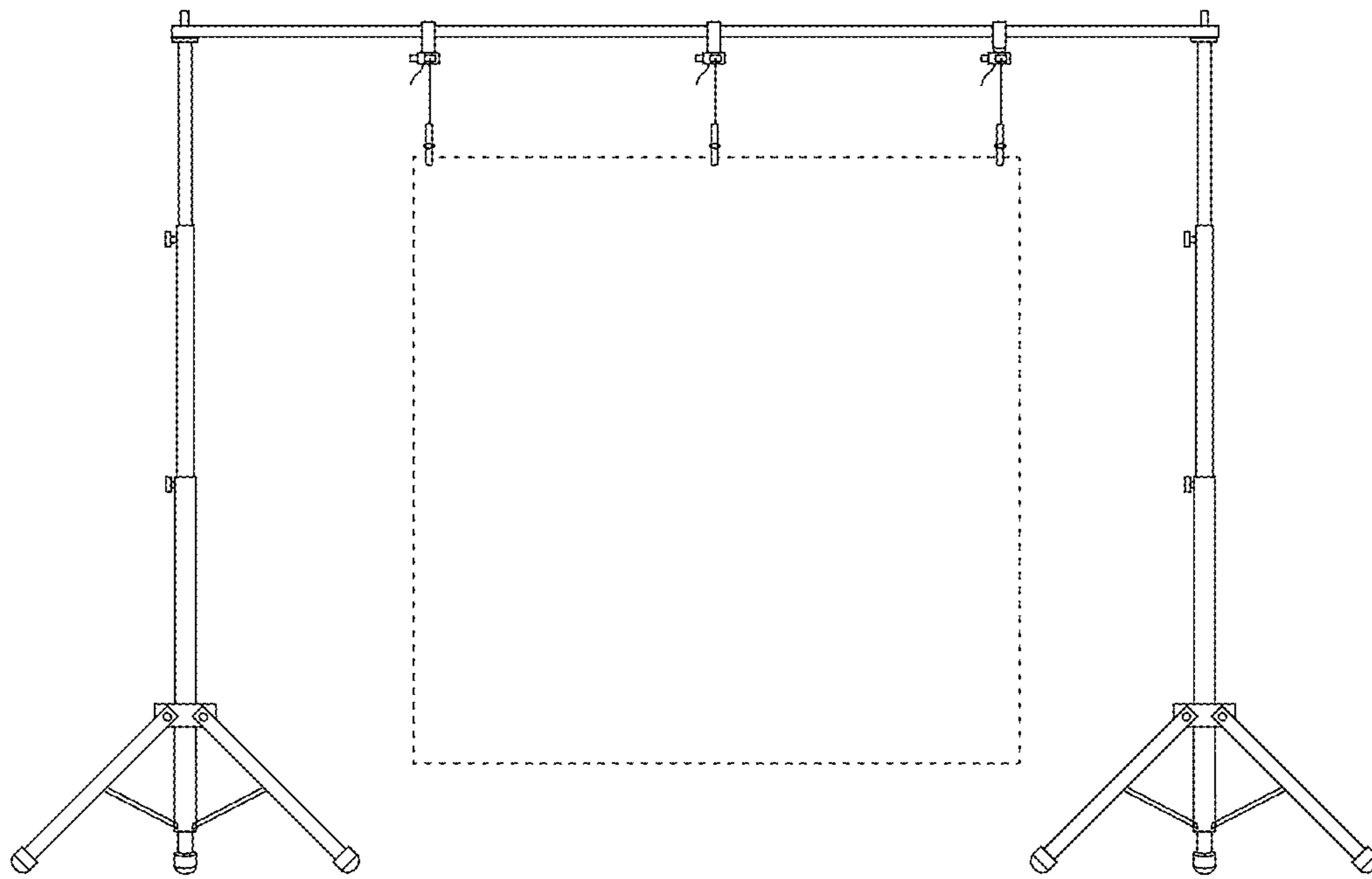


FIG.1

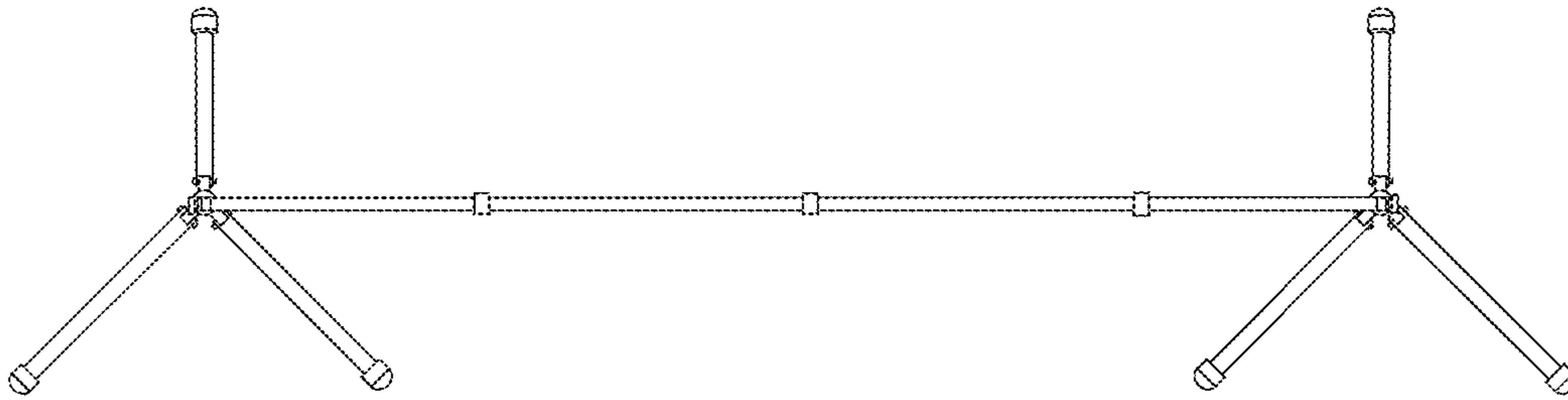


FIG. 2

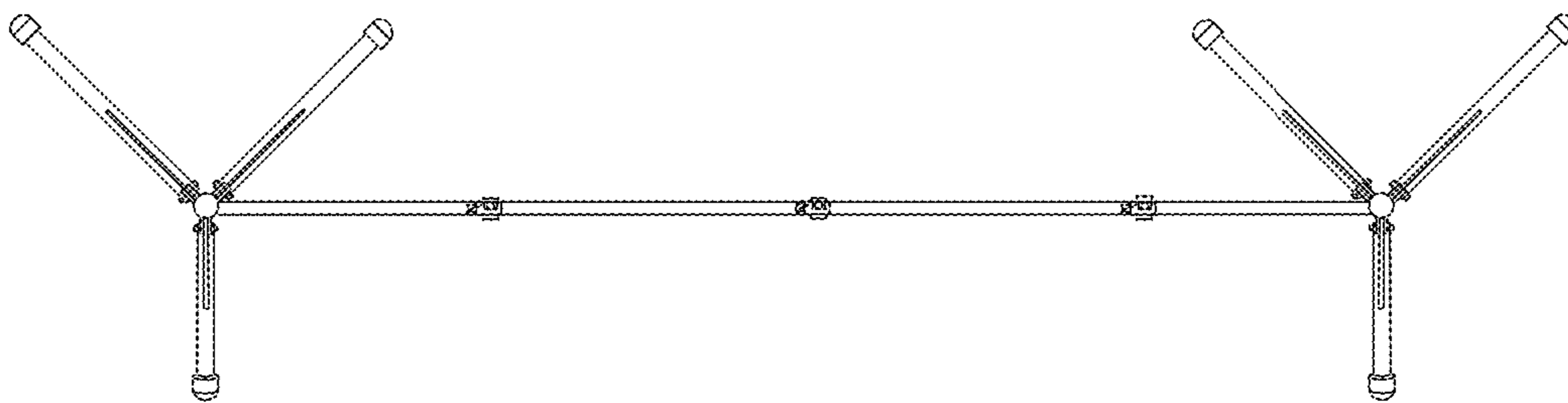


FIG. 3

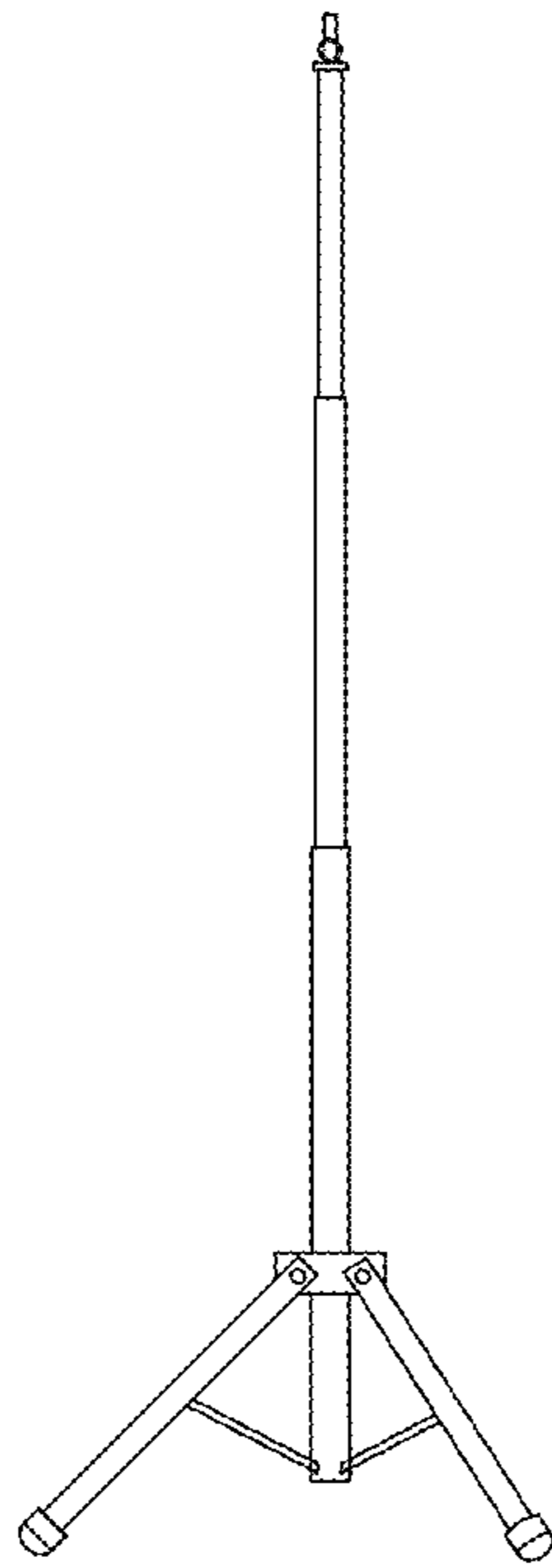


FIG. 4

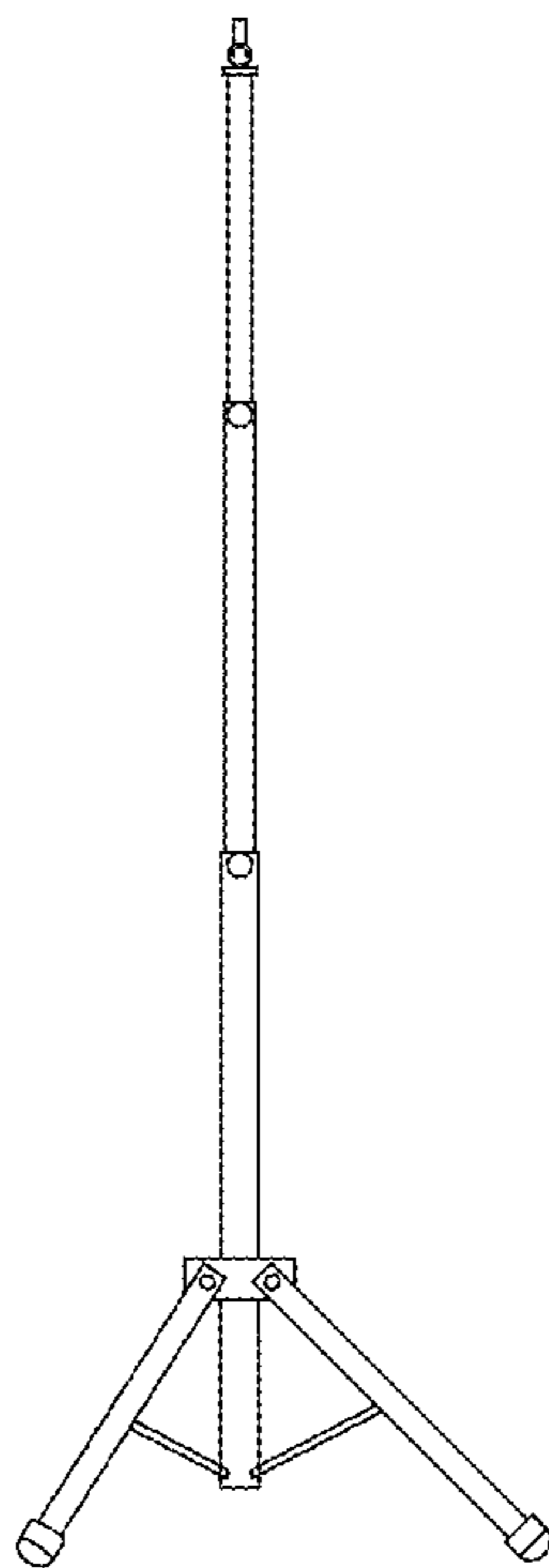


FIG. 5