



US00D828054S

(12) **United States Design Patent**  
**Chen et al.**

(10) **Patent No.:** **US D828,054 S**

(45) **Date of Patent:** **\*\* Sep. 11, 2018**

(54) **PILLOW**

(71) Applicant: **SHENZHEN LIAN DA TECHNOLOGY INDUSTRIAL CO., LTD.**, Shenzhen, Guangdong (CN)

(72) Inventors: **Congyu Chen**, Guangdong (CN);  
**Congchao Chen**, Guangdong (CN)

(73) Assignee: **SHENZHEN LIAN DA TECHNOLOGY INDUSTRIAL CO., LTD.** (CN)

(\*\*) Term: **15 Years**

(21) Appl. No.: **29/592,430**

(22) Filed: **Jan. 30, 2017**

(51) **LOC (11) Cl.** ..... **06-09**

(52) **U.S. Cl.**  
USPC ..... **D6/601**

(58) **Field of Classification Search**  
USPC ..... D6/333, 349, 355, 375, 388, 512, 563, D6/564, 611, 707, 715, 716, 716.1, D6/582-583, 587-592, 595-609, D6/617-622; D24/183-185, 234, 178, D24/180, 181, 189; D21/803, 804, 805, D21/809, 599; 5/401, 420, 600, 630, 5/631, 632, 633, 635, 636, 638, 639, 646, 5/652, 652.1, 655, 703, 730; 297/1, 2, 4, 297/93, 180.11, 195.1, 195.11, 195.13, 297/393, 397, 452.12, 452.14, 452.15, 297/452.21, 452.24, 452.26, 452.48, 297/452.62, 482; D2/719, 725, 734, 741  
CPC ..... A47G 9/10; A47G 9/1009; A47G 9/1027; A47G 9/1045; A47G 9/1063; A47G 9/1072; A47G 9/1081; A47G 9/00; A47G 2009/001; A47G 2009/002; A47G 2009/003; A47G 2009/005; A47G 2009/006; A47G 9/02; A47G 9/0207; A47G 9/0215; A47G 9/0223; A47G

9/023; A47G 9/0238; A47G 9/0246; A47G 9/0253; A47G 9/0261; A47G 9/06; A47G 9/062; A47G 9/066; A47G 9/068; A47G 9/08; A47G 2009/0276; A47G 9/0284; A47G 9/0292; A47G 9/04

See application file for complete search history.

(56) **References Cited**

**U.S. PATENT DOCUMENTS**

D216,689 S *	3/1970	Isogai	5/936
D294,900 S *	3/1988	Willingham	D6/596
D318,923 S *	8/1991	Marsh	D24/183
D346,296 S *	4/1994	Sereboff	D6/601
D377,880 S *	2/1997	Oyama, Jr.	D6/596
D396,981 S *	8/1998	Laidlaw	5/654
D404,238 S *	1/1999	Keilhauer	D6/601
D442,006 S *	5/2001	Miller	D6/601
D474,364 S *	5/2003	Arcieri	D6/601
D497,507 S *	10/2004	Keilhauer	D6/601
D595,986 S *	7/2009	Kloes	D6/601
D618,030 S *	6/2010	Wang	D6/601
D645,693 S *	9/2011	Rothbard	D6/601

(Continued)

*Primary Examiner* — Michelle E. Wilson  
*Assistant Examiner* — Sanjeev Paul

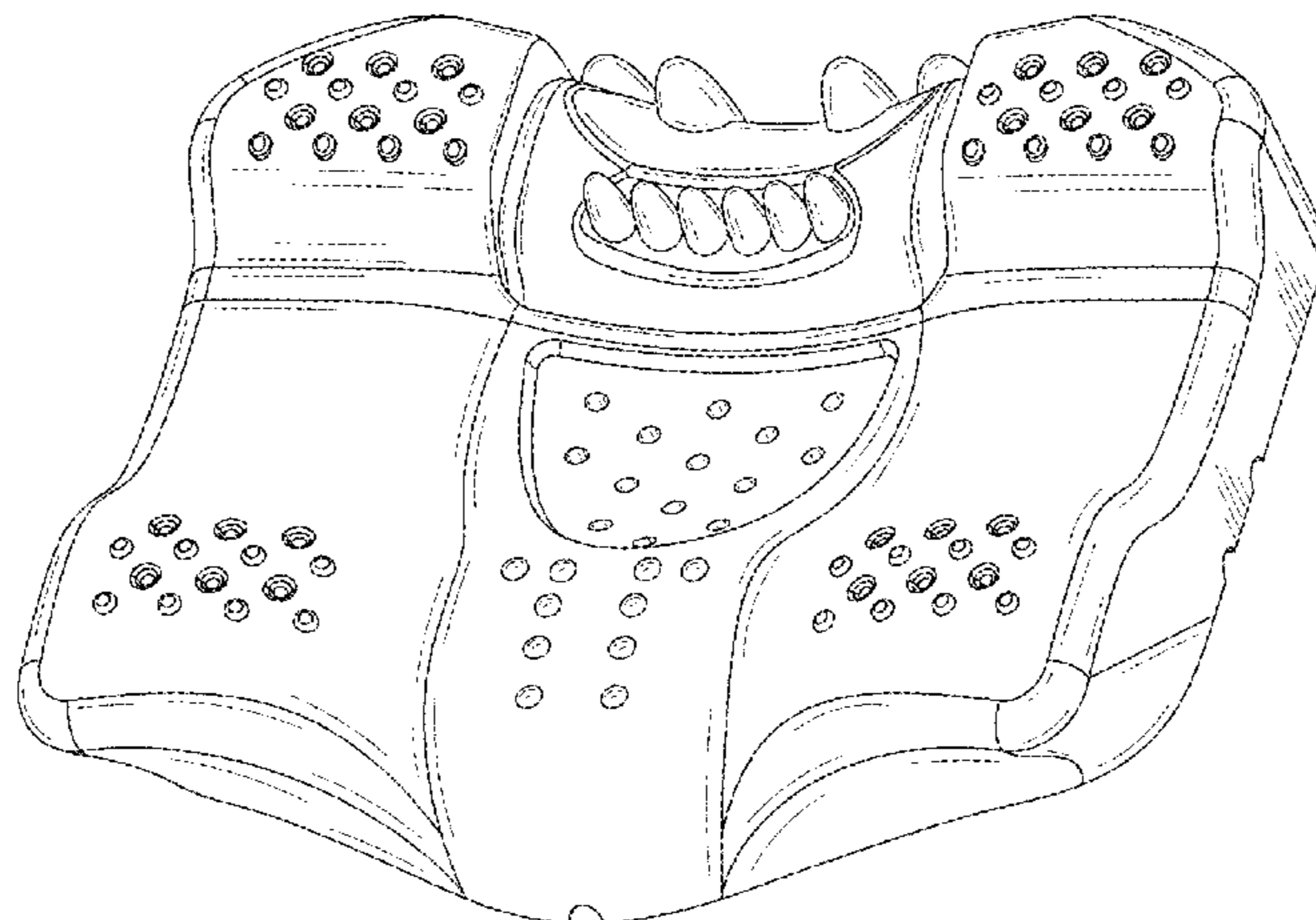
(57) **CLAIM**

The ornamental design for a pillow, as shown and described.

**DESCRIPTION**

FIG. 1 is a front view of the pillow showing our new design; FIG. 2 is a back view thereof; FIG. 3 is a left side view thereof; FIG. 4 is a right side view thereof; FIG. 5 is a top view thereof; FIG. 6 is a bottom view thereof; FIG. 7 is a top perspective view thereof; and, FIG. 8 is a bottom perspective view thereof.

**1 Claim, 5 Drawing Sheets**



(56)

**References Cited**

U.S. PATENT DOCUMENTS

8,566,985	B2 *	10/2013	Kim .....	A47G 9/109 5/636
D698,586	S *	2/2014	Davis .....	D6/601
D701,711	S *	4/2014	Silvas .....	D6/601
D718,074	S *	11/2014	Savolainen .....	D6/601
D731,816	S *	6/2015	Edgemon .....	D6/601
D732,312	S *	6/2015	Tiffin .....	D6/601
D732,313	S *	6/2015	Fux .....	D6/601
D750,397	S *	3/2016	Werner .....	D6/601
D750,398	S *	3/2016	Werner .....	D6/601
D752,359	S *	3/2016	Lee .....	D6/601
D754,990	S *	5/2016	Velasquez .....	D6/601
D755,543	S *	5/2016	Upadhyay .....	D6/601
D756,687	S *	5/2016	Durkin .....	D6/601
D759,406	S *	6/2016	Peterson .....	D6/601
D773,212	S *	12/2016	Krishtul .....	D6/601
D804,600	S *	12/2017	Cruz Ricardez .....	D21/803
D807,666	S *	1/2018	Lee .....	D6/601
D810,468	S *	2/2018	Lu .....	D6/592

\* cited by examiner

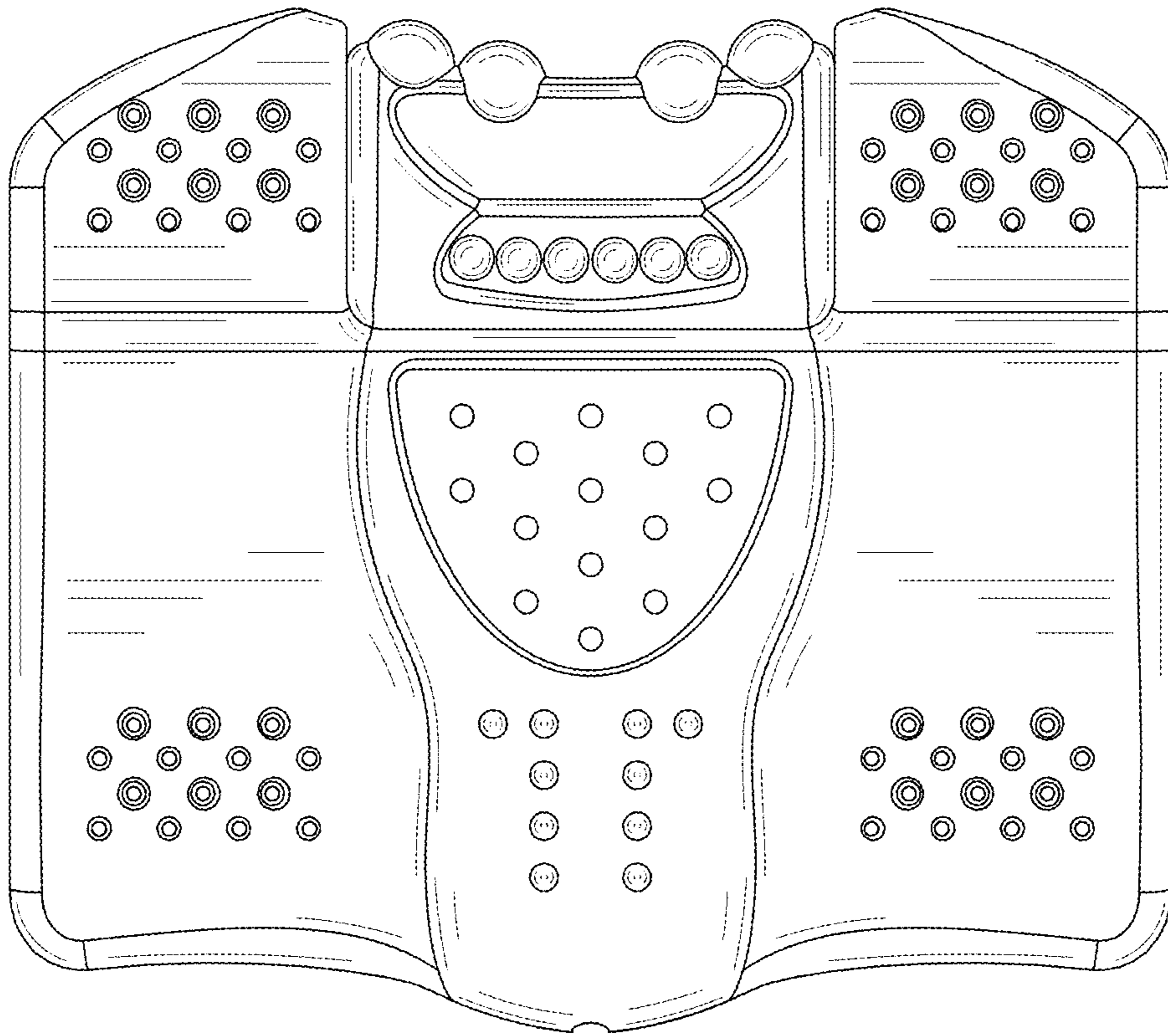


FIG. 1

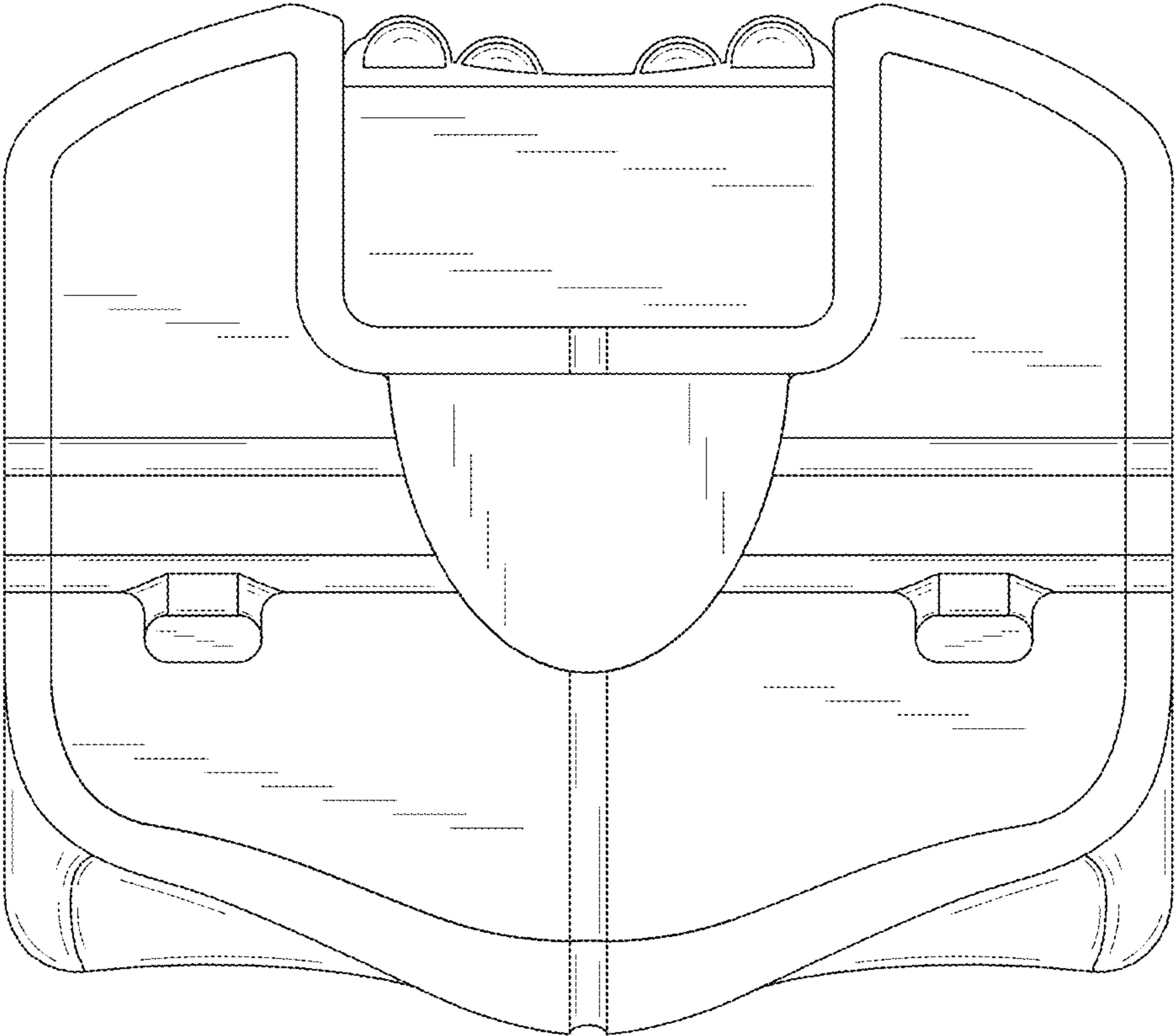


FIG.2



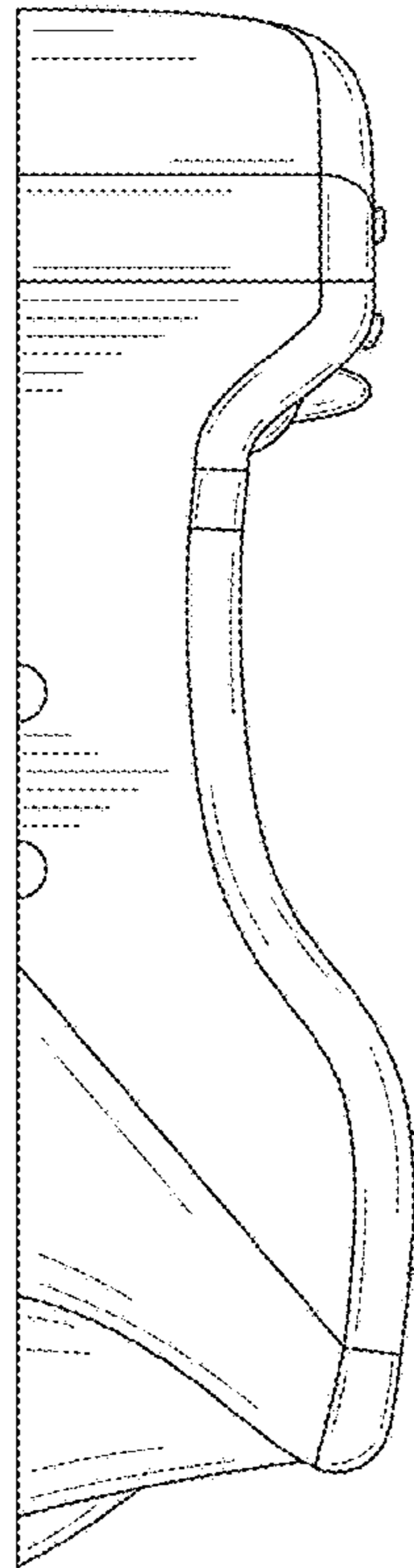


FIG. 3

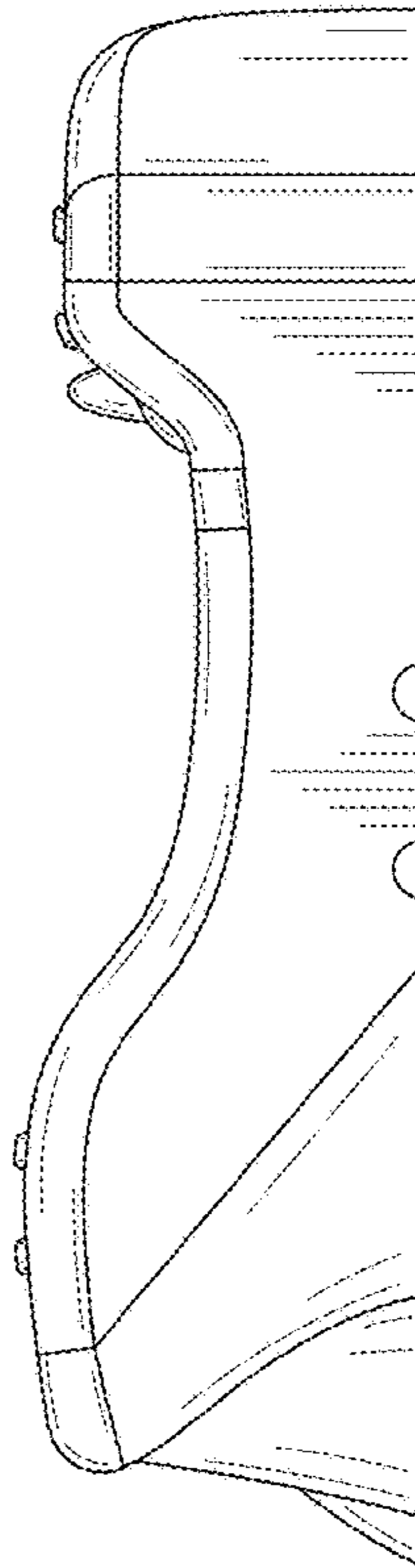


FIG. 4

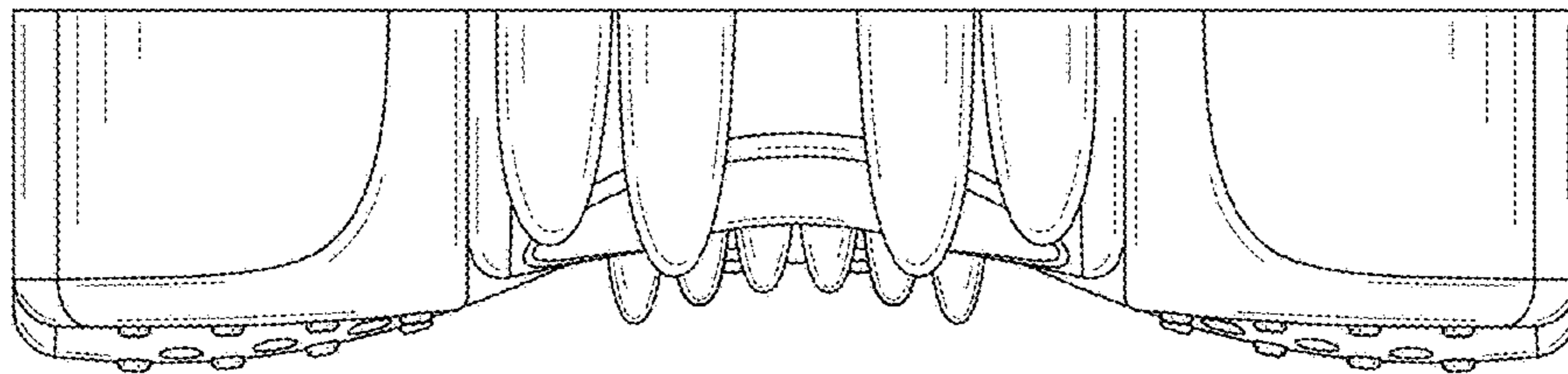


FIG. 5

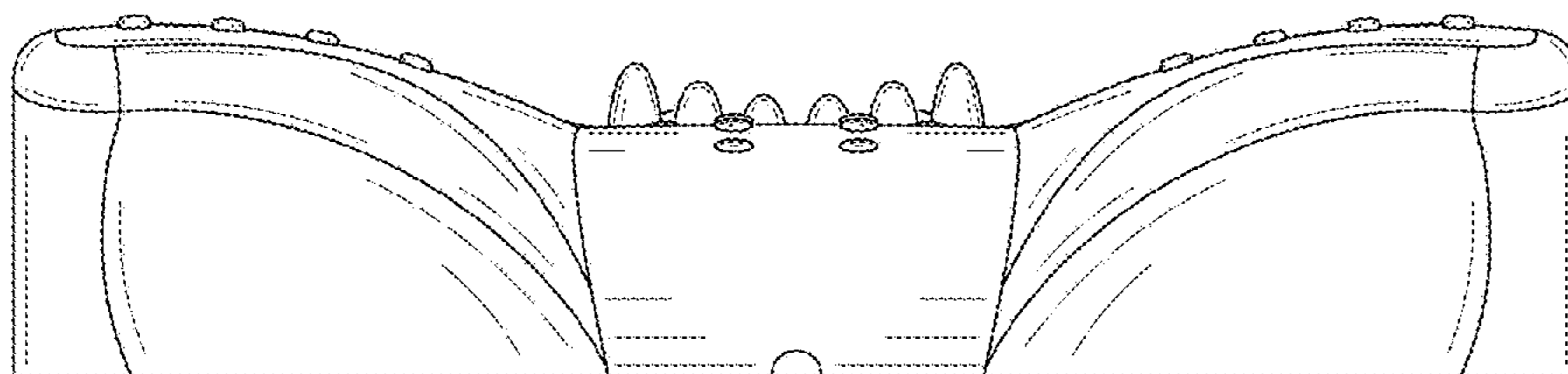


FIG. 6

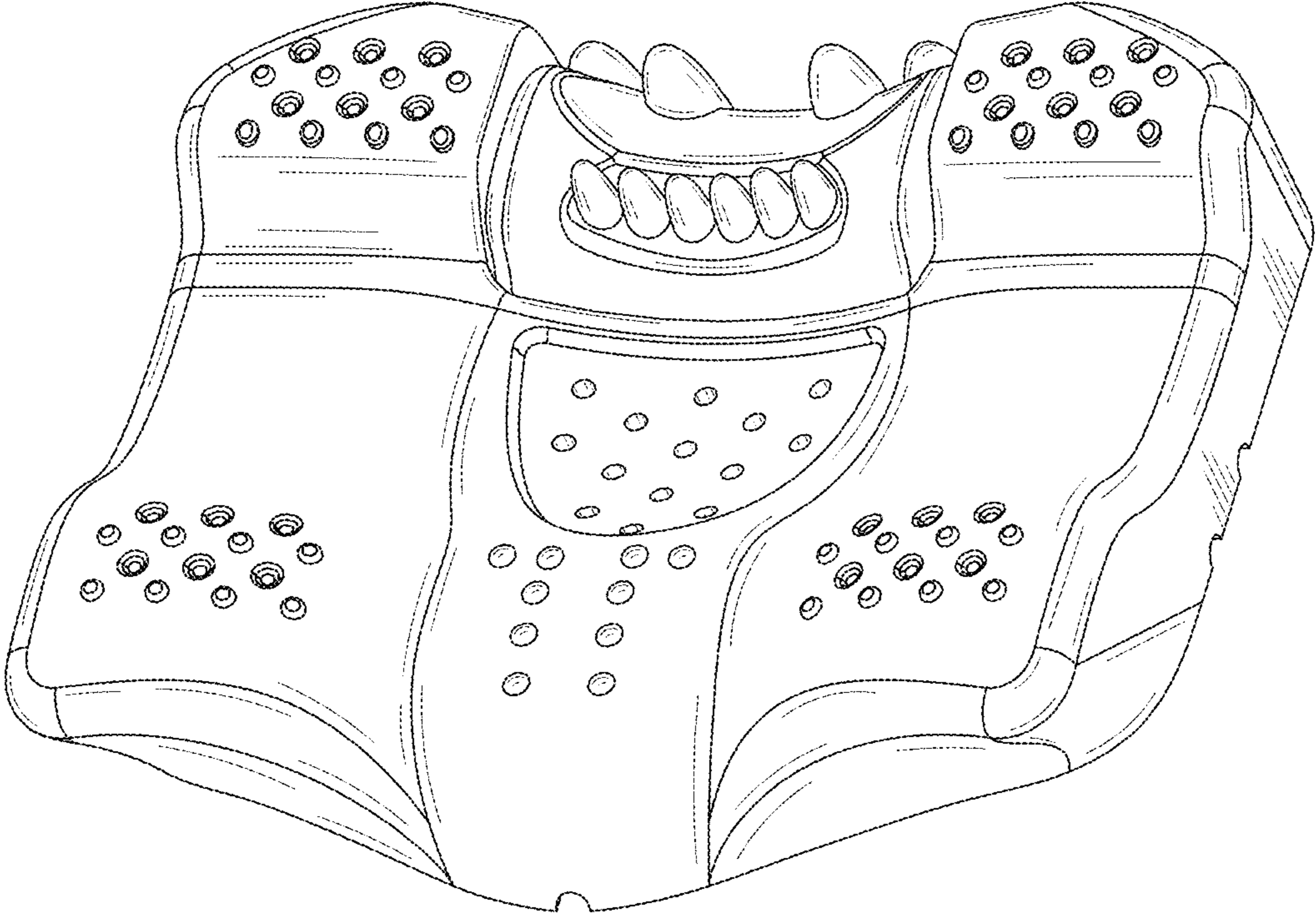


FIG.7

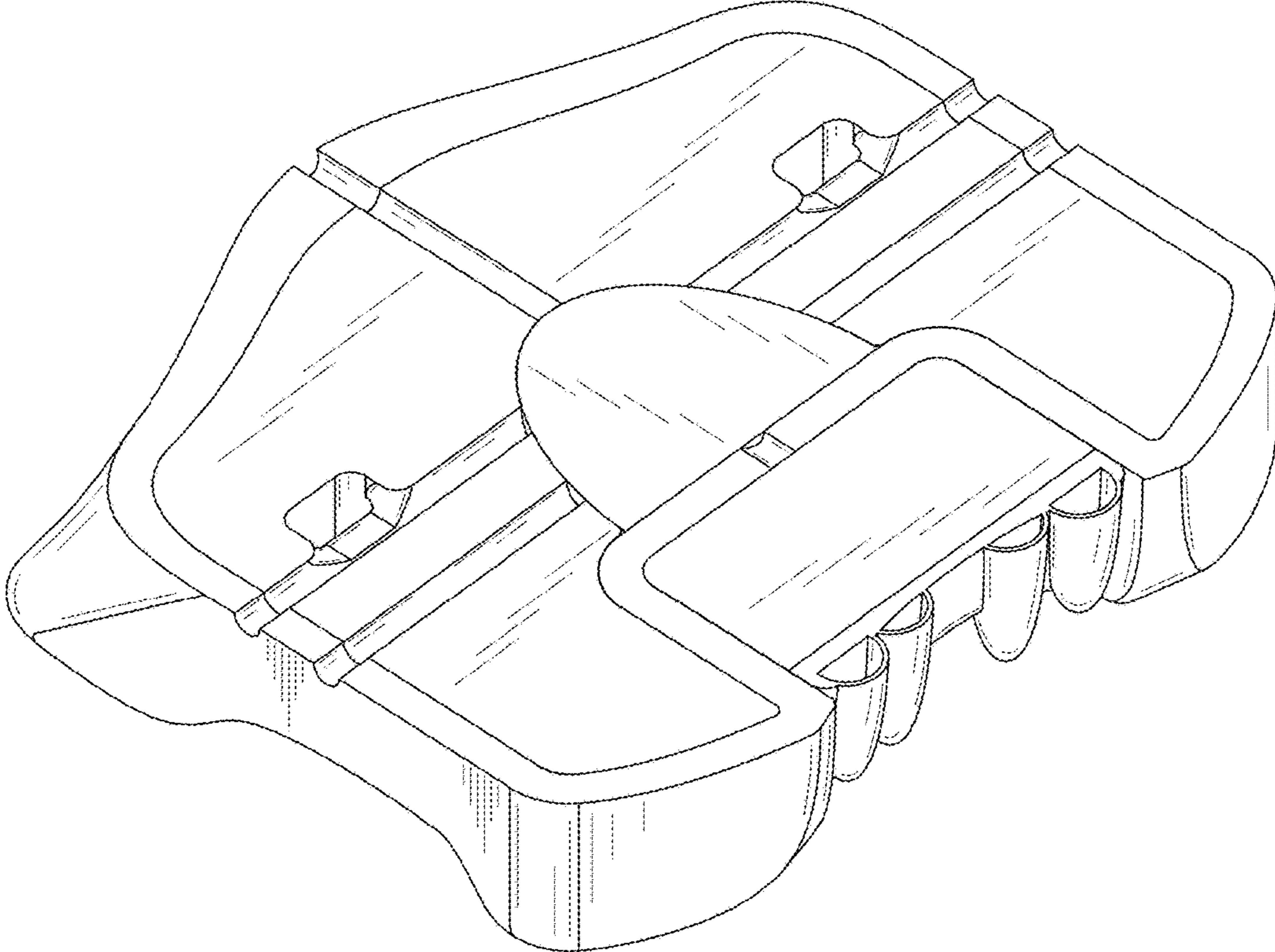


FIG.8