



US00D828053S

(12) **United States Design Patent**
Brzowski

(10) **Patent No.:** **US D828,053 S**

(45) **Date of Patent:** **** Sep. 11, 2018**

- (54) **MAT**
- (71) Applicant: **Leeann Brzowski**, New York, NY (US)
- (72) Inventor: **Leeann Brzowski**, New York, NY (US)
- (**) Term: **15 Years**
- (21) Appl. No.: **29/589,027**
- (22) Filed: **Dec. 27, 2016**

Related U.S. Application Data

- (63) Continuation of application No. 29/516,100, filed on Jan. 29, 2015, now Pat. No. Des. 778,636.
- (51) **LOC (11) Cl.** **06-11**
- (52) **U.S. Cl.**
USPC **D6/582**; D6/596
- (58) **Field of Classification Search**
USPC D6/582-592, 598, 608, 609, 613, 614, D6/619; D24/206; D32/47; D12/203
CPC A47L 23/26; A47G 9/062; A47G 33/045; A47G 27/0293; A47G 27/025; A47G 27/0231; A47G 27/0225; A47G 27/0218; A47G 27/0212; A47G 27/0206; A47G 27/02; A47G 27/04; A47G 27/0418; B60N 3/04
See application file for complete search history.

(56) **References Cited**

U.S. PATENT DOCUMENTS

- 33,385 A 10/1861 Frodsham et al.
- 1,222,563 A * 4/1917 Rosenburg A47G 9/062 5/419
- 3,341,866 A * 9/1967 Wright A47K 3/002 4/583
- D209,118 S * 10/1967 Grube D24/183

- 3,689,947 A * 9/1972 Wolf A47G 9/1045 5/419
- 4,195,378 A * 4/1980 Parker A45C 3/10 190/2
- D261,464 S 10/1981 Smith
- D264,165 S * 5/1982 McVeigh D6/596
- D291,586 S * 8/1987 Bourret D21/686
- D309,169 S * 7/1990 Scheurer D21/809
- D311,109 S 10/1990 Geschwender
- D313,140 S * 12/1990 Johnson D6/596
- D318,772 S * 8/1991 Phillips 5/419
- D346,923 S 5/1994 Holm
- D349,625 S 8/1994 DaPalma
- D374,789 S 10/1996 Kalista
- D375,014 S * 10/1996 Connally D6/610
- D382,755 S * 8/1997 Knopfler 5/419
- D391,109 S 2/1998 Miller

(Continued)

Primary Examiner — Shannon Weekley Morgan

Assistant Examiner — Clare A Gannon

(74) *Attorney, Agent, or Firm* — Gottlieb, Rackman & Reisman, PC

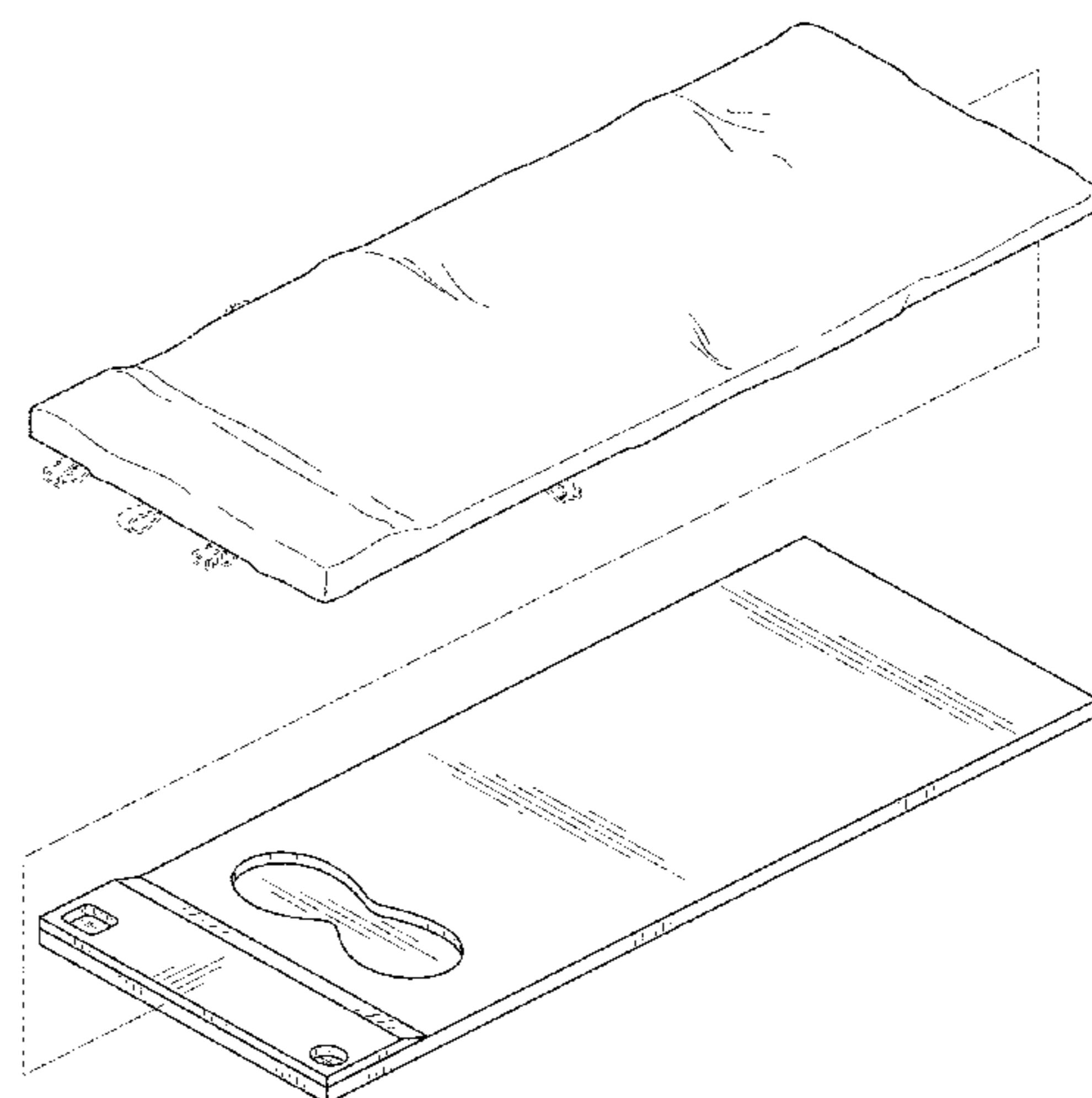
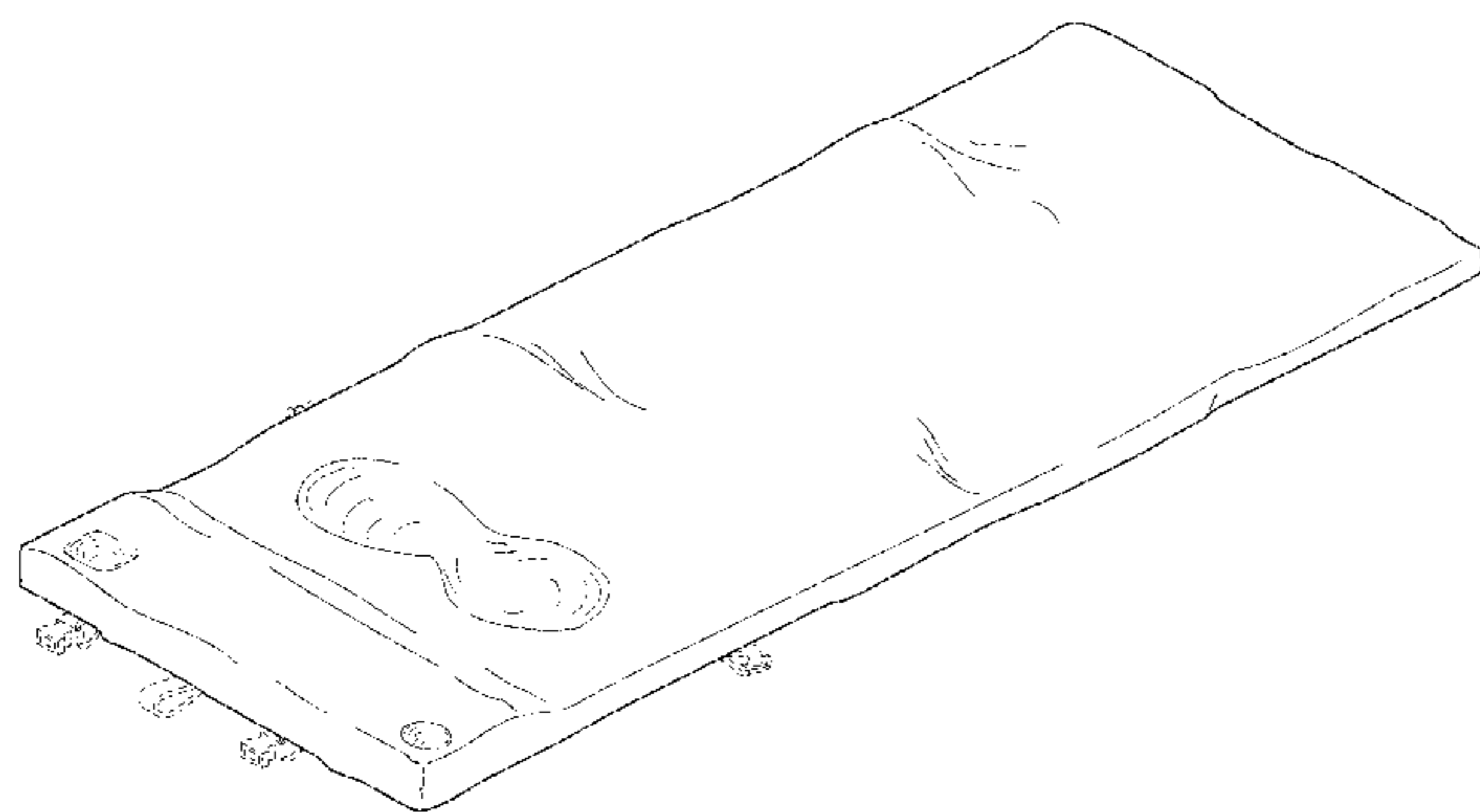
(57) **CLAIM**

The ornamental design for a mat, as shown and described.

DESCRIPTION

FIG. 1 is a front perspective view of a mat showing my design;
 FIG. 2 is an exploded view thereof showing a covering and insert of the mat;
 FIG. 3 is a front elevation view thereof;
 FIG. 4 is a rear elevation view thereof;
 FIG. 5 is a right side view thereof;
 FIG. 6 is a left side view thereof;
 FIG. 7 is a top plan view thereof;
 FIG. 8 is a bottom plan view thereof; and,
 FIG. 9 is a rear perspective view thereof.
 The broken lines shown in the figures depict features of the mat that form no part of the claimed design.

1 Claim, 5 Drawing Sheets



(56)

References Cited

U.S. PATENT DOCUMENTS

D392,146 S * 3/1998 Gregg D6/608
5,740,566 A 4/1998 Stacy
5,941,638 A * 8/1999 Fonseca A47G 9/062
383/4
6,061,849 A 5/2000 Seals
D473,088 S * 4/2003 Elliott D6/599
D478,455 S * 8/2003 Papazian D6/596
D487,373 S * 3/2004 Ku D6/604
D642,845 S * 8/2011 Farley D6/596
D644,865 S 9/2011 Trout
D651,032 S 12/2011 Adkins
8,959,679 B1 * 2/2015 Everds A47G 9/062
206/38
9,345,925 B2 5/2016 Liu
D778,636 S * 2/2017 Brzozowski D6/582
2010/0089958 A1 * 4/2010 Flagel A45C 3/10
224/576
2015/0251046 A1 * 9/2015 Liu A63B 21/4037
5/420
2016/0059066 A1 3/2016 Willis

* cited by examiner

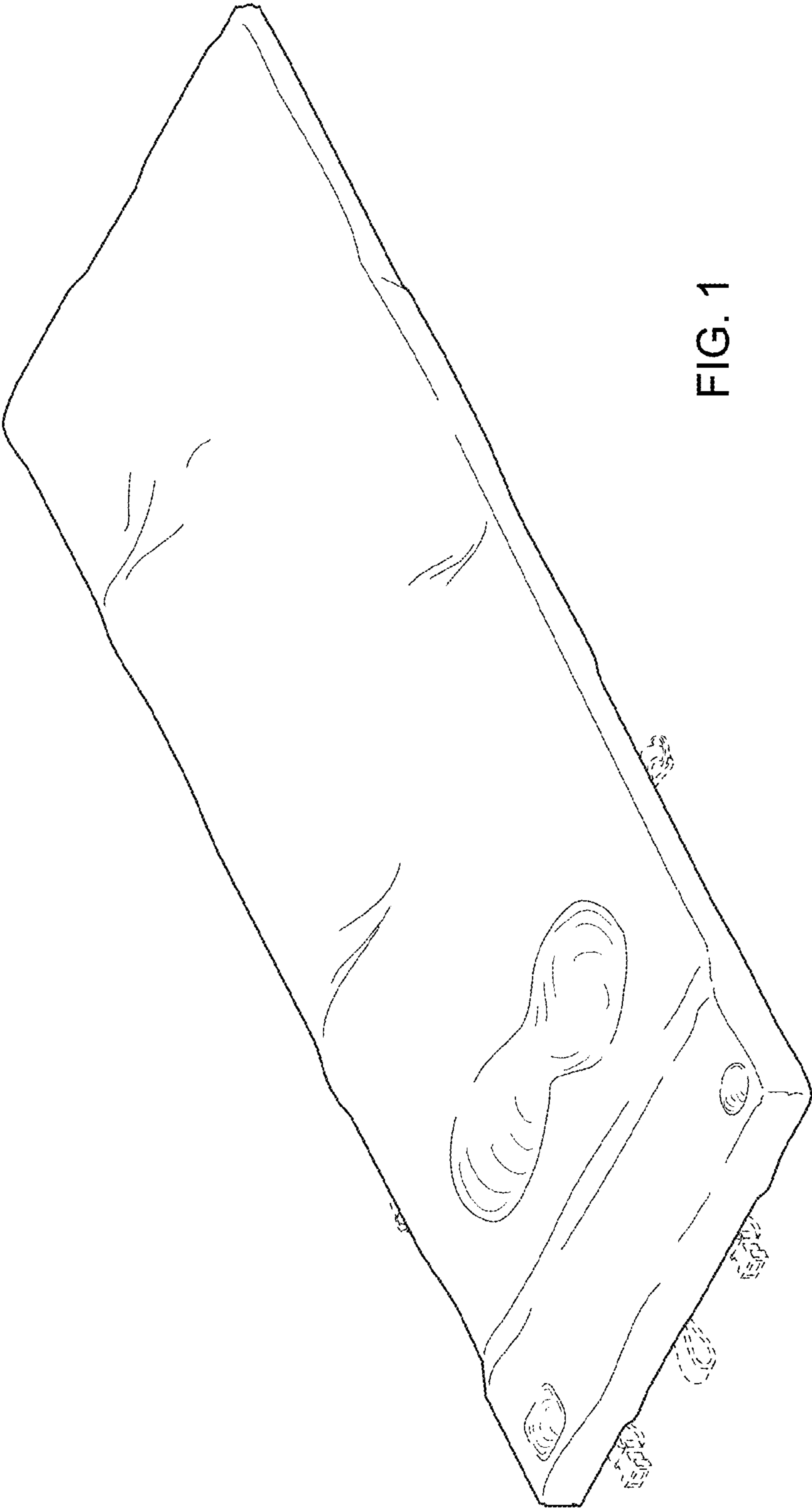


FIG. 1

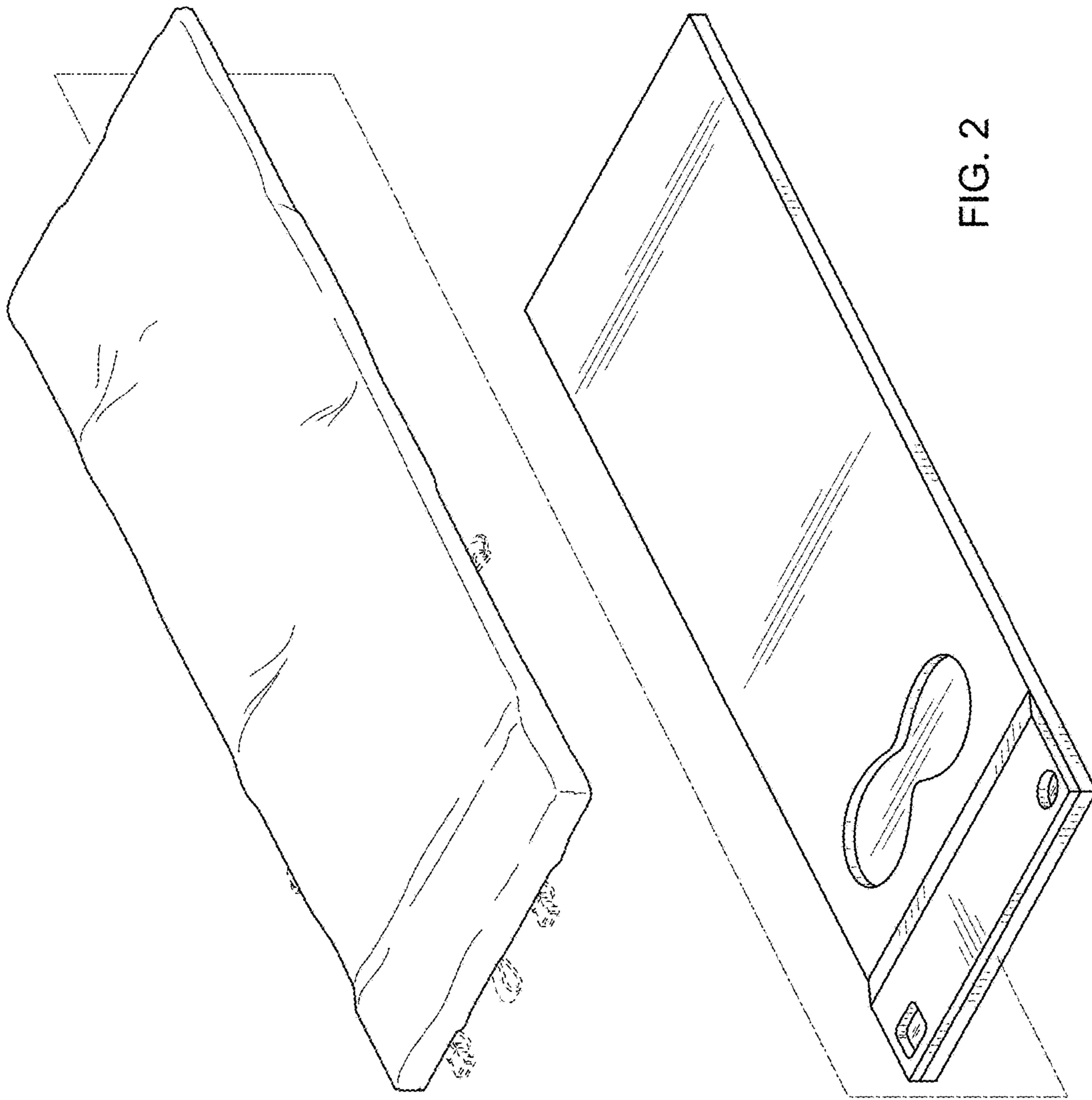


FIG. 2

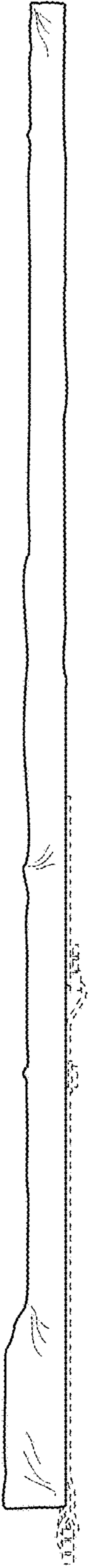


FIG. 3

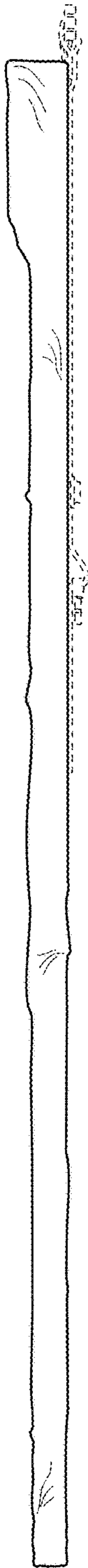


FIG. 4



FIG. 5



FIG. 6

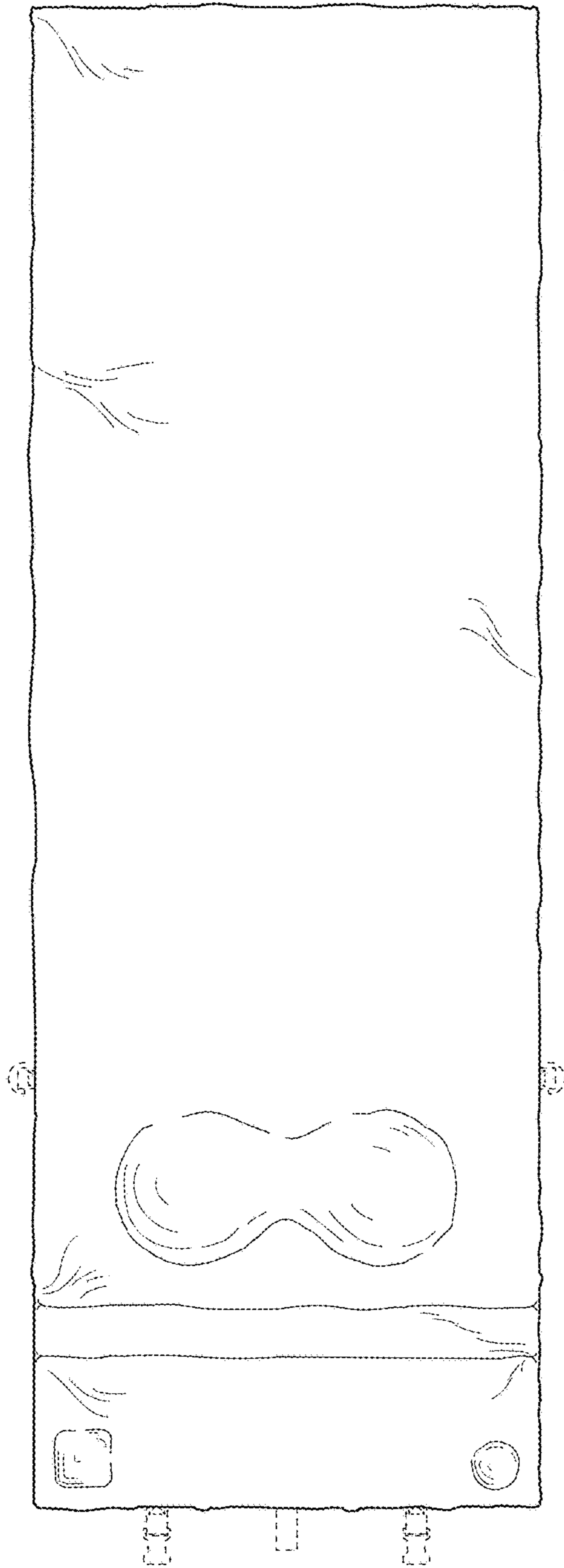


FIG. 7

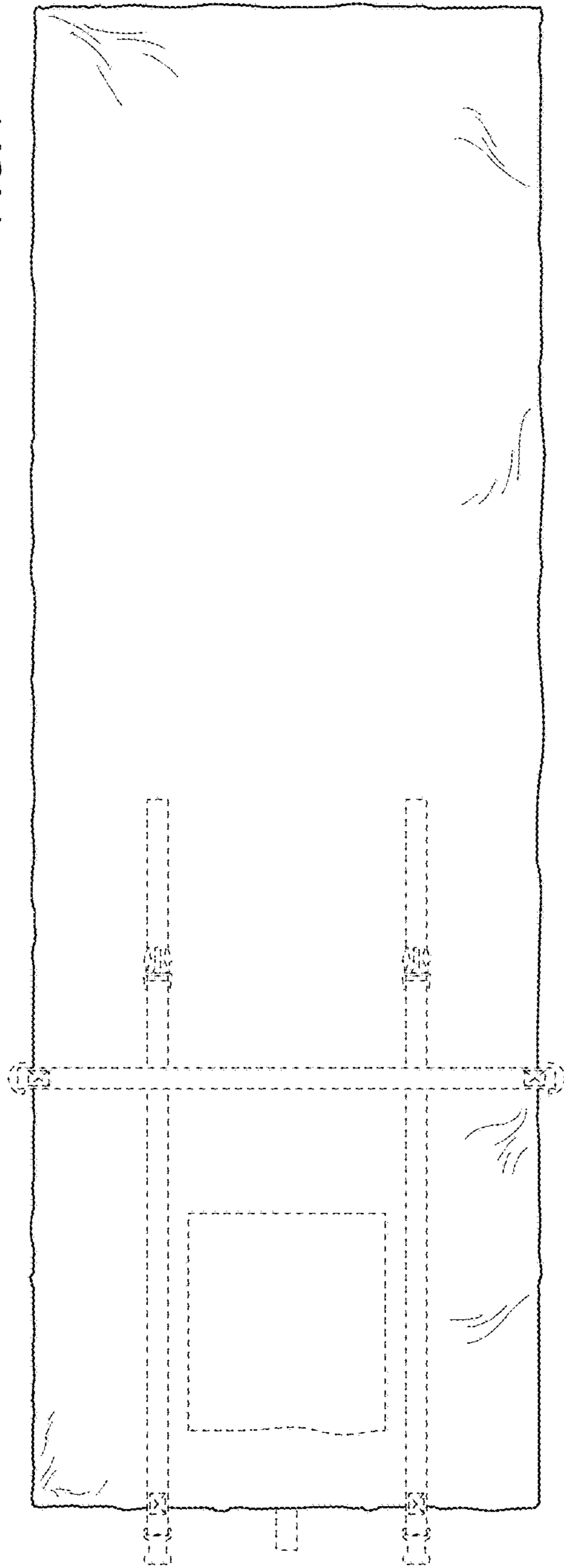


FIG. 8

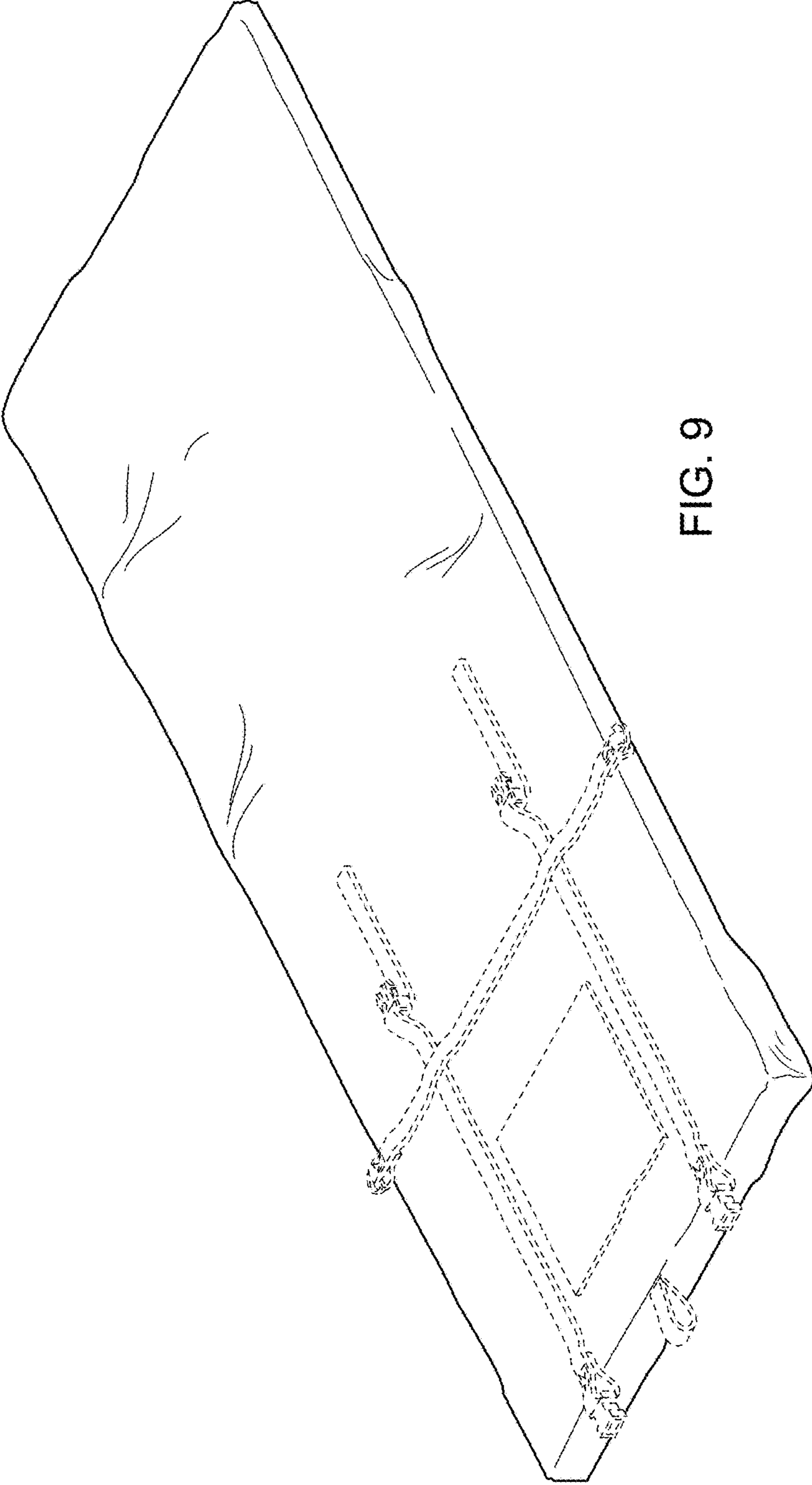


FIG. 9