



US00D828052S

(12) **United States Design Patent** (10) **Patent No.:** **US D828,052 S**
Bouroullec et al. (45) **Date of Patent:** **** Sep. 11, 2018**

(54) **MOUNTING FIXTURE FOR A ROLLER
BLIND BOX**
(71) Applicant: **KVADRAT A/S**, Ebeltoft (DK)
(72) Inventors: **Erwan Bouroullec**, Paris (FR); **Ronan
Bouroullec**, Paris (FR)
(73) Assignee: **KVADRAT A/S**, Ebeltoft (DK)
(**) Term: **15 Years**

(21) Appl. No.: **29/565,658**
(22) Filed: **May 23, 2016**

(30) **Foreign Application Priority Data**

Nov. 24, 2015 (EP) 001442560
(51) **LOC (11) Cl.** **06-10**
(52) **U.S. Cl.**
USPC **D6/580; D8/380**

(58) **Field of Classification Search**
USPC D6/575-581; D8/354, 377; D25/55,
D25/119, 121, 122, 123
CPC ... A47H 1/04; A47H 1/06; A47H 1/10; A47H
1/13; A47H 1/14; A47H 11/02; A47H
23/00; A47H 23/01; A47H 5/02; B60J
1/2013; E06B 2009/2622; E06B
2009/2627; E06B 2009/425; E06B
2009/583; E06B 9/26; E06B 9/262; E06B
9/30; E06B 9/306; E06B 9/32; E06B
9/323; E06B 9/324; E06B 9/326; E06B
9/367; E06B 9/3866; E06B 9/388; E06B
9/40; E06B 9/42; E06B 9/44; E06B 9/46;
E06B 9/48; E06B 9/56; E06B 9/78
See application file for complete search history.

(56) **References Cited**

U.S. PATENT DOCUMENTS

D117,893 S * 12/1939 Bonnell D20/44
3,973,371 A * 8/1976 Heller E04B 2/74
312/265.1

4,034,439 A * 7/1977 Kohne A47H 1/04
16/96 R
D273,596 S * 4/1984 Waldecrantz D20/44
D315,215 S * 3/1991 Schnebly D25/119
D472,456 S * 4/2003 Snyder D8/353
D531,017 S * 10/2006 Debevec D8/394
D573,723 S * 7/2008 Vibiano D25/136
7,510,111 B2 * 3/2009 Mikkelsen G03B 21/58
235/375
D606,672 S * 12/2009 Southwell D25/122
(Continued)

Primary Examiner — Eric L Goodman
Assistant Examiner — Clare A Gannon
(74) *Attorney, Agent, or Firm* — Klein, O'Neill & Singh,
LLP

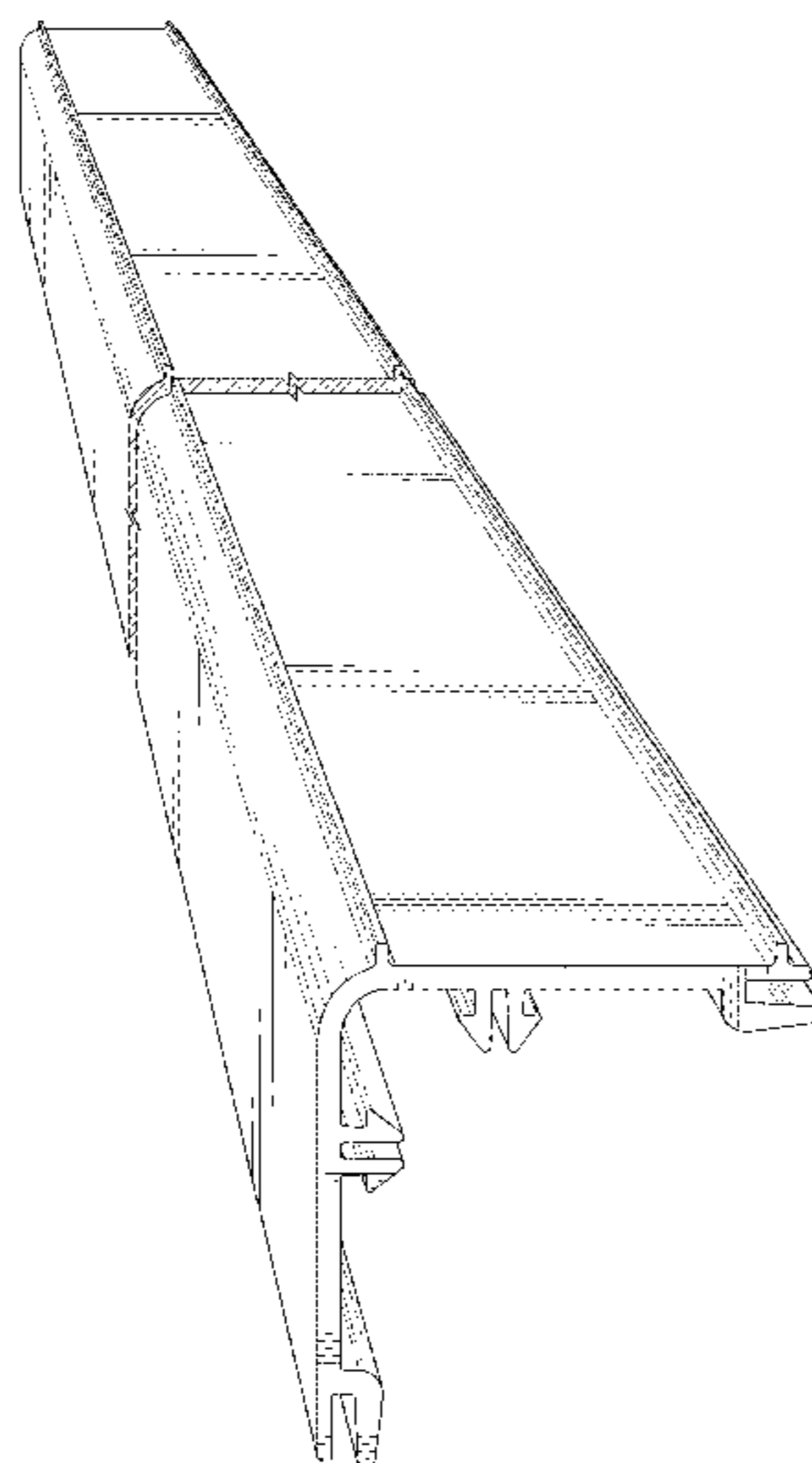
(57) **CLAIM**

The ornamental design for a mounting fixture for a roller blind box, as shown as shown and described.

DESCRIPTION

FIG. 1 is a perspective view, taken from the top, rear, and left side, of a mounting fixture for a roller blind box, in accordance with our new design;
FIG. 2 is a perspective view thereof, taken from the bottom, front, and right side;
FIG. 3 is a front elevation view thereof;
FIG. 4 is a rear elevation view thereof;
FIG. 5 is a left side elevation view thereof;
FIG. 6 is a right side elevation view thereof;
FIG. 7 is a top plan view thereof; and,
FIG. 8 is a bottom plan view thereof.
The break lines shown in FIGS. 1-4, 7, and 8 symbolize breaks in the length of the article in which the claimed design is embodied. The appearance of any portion of the article between the break lines forms no part of the claimed design.

1 Claim, 5 Drawing Sheets



(56)

References Cited

U.S. PATENT DOCUMENTS

D681,439 S *	5/2013	Chen	D8/394
D690,436 S *	9/2013	Elizarraras	D25/136
D739,709 S *	9/2015	Wright	D8/354
D744,666 S *	12/2015	Weber	D25/119
D753,848 S *	4/2016	Gori	D25/119
D754,886 S *	4/2016	Koenig, Jr.	D25/136
D789,561 S *	6/2017	Singh	D25/121
2006/0191646 A1 *	8/2006	Harper	E06B 9/264 160/84.05

* cited by examiner

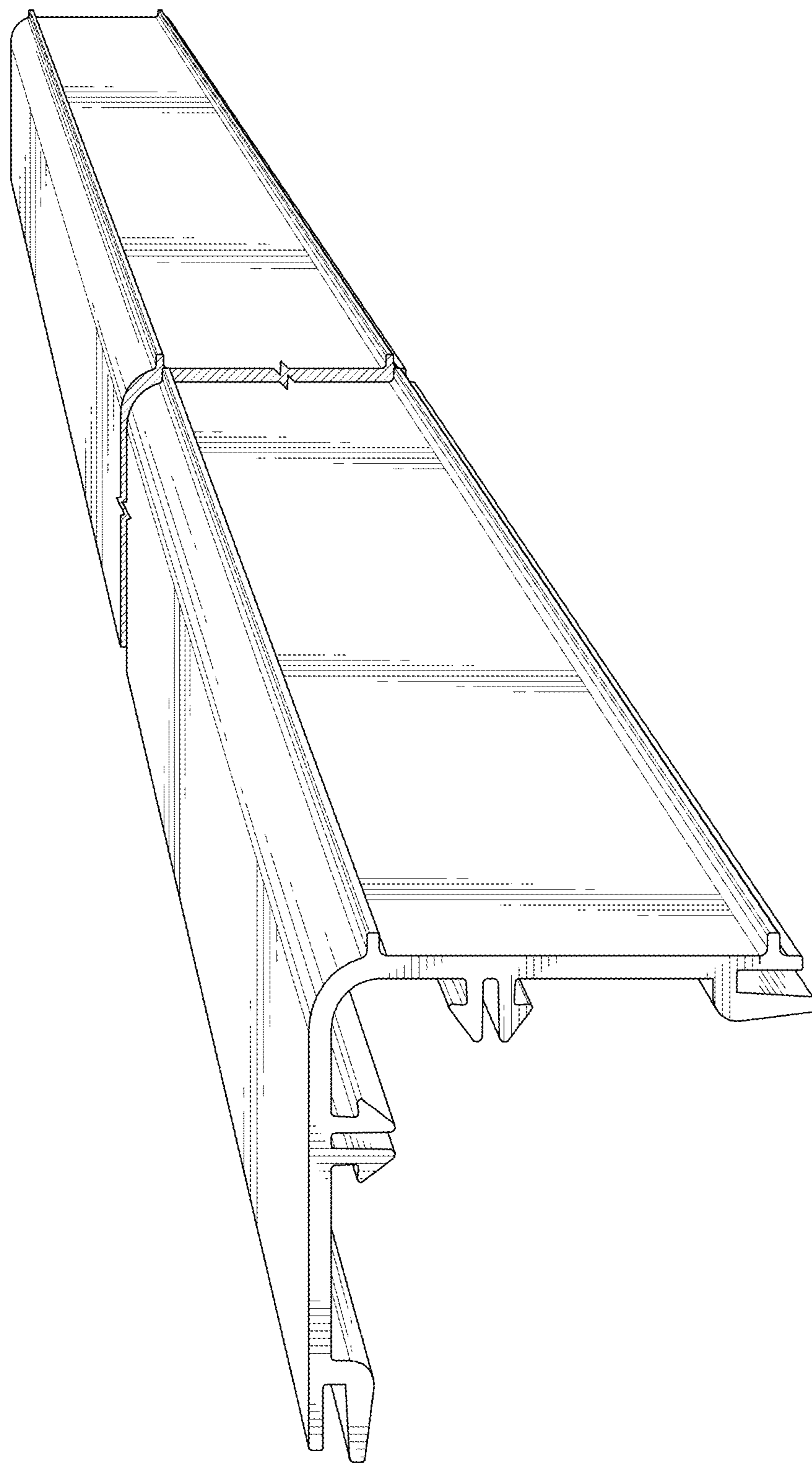


FIG. 1

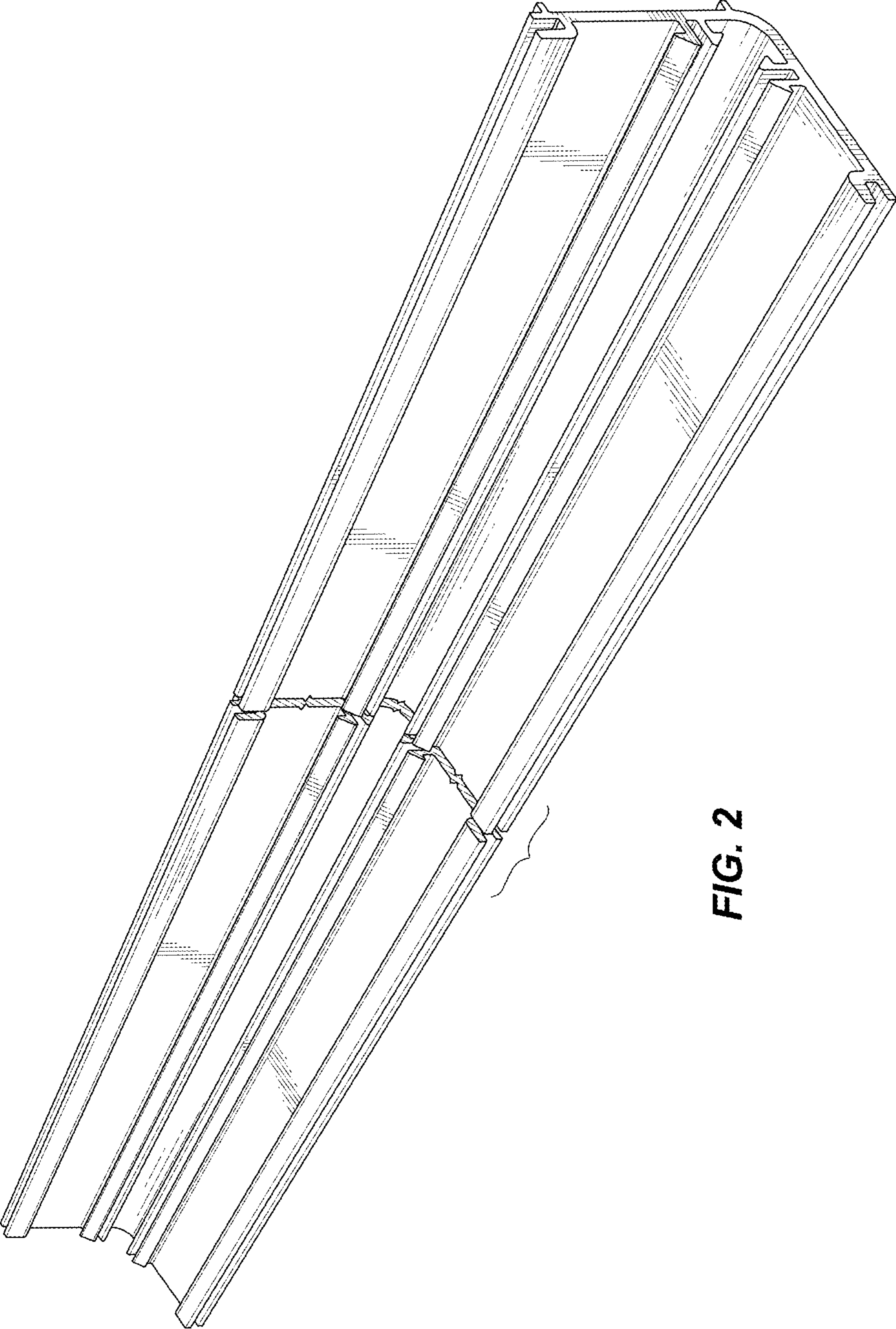


FIG. 2

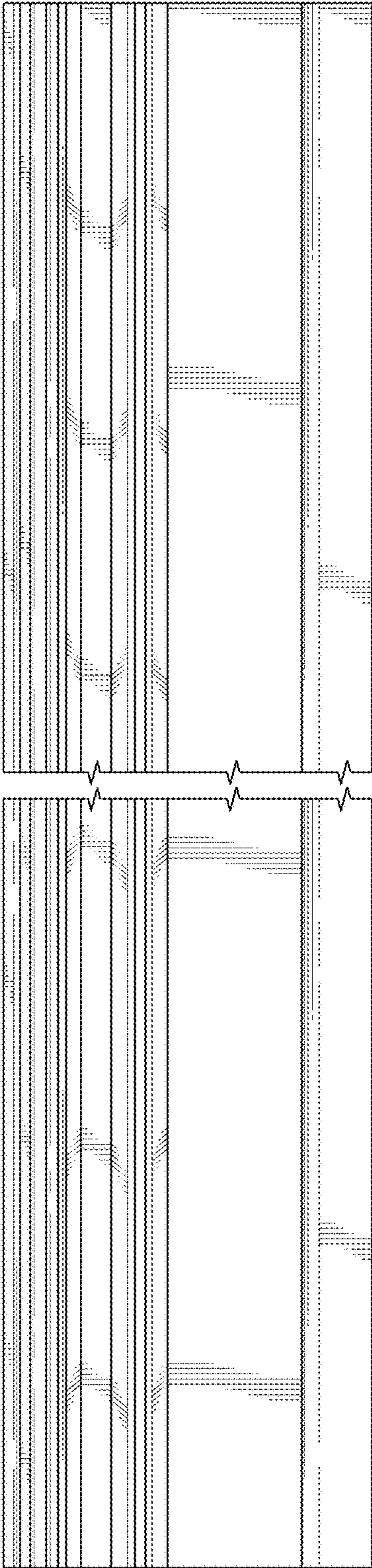


FIG. 3

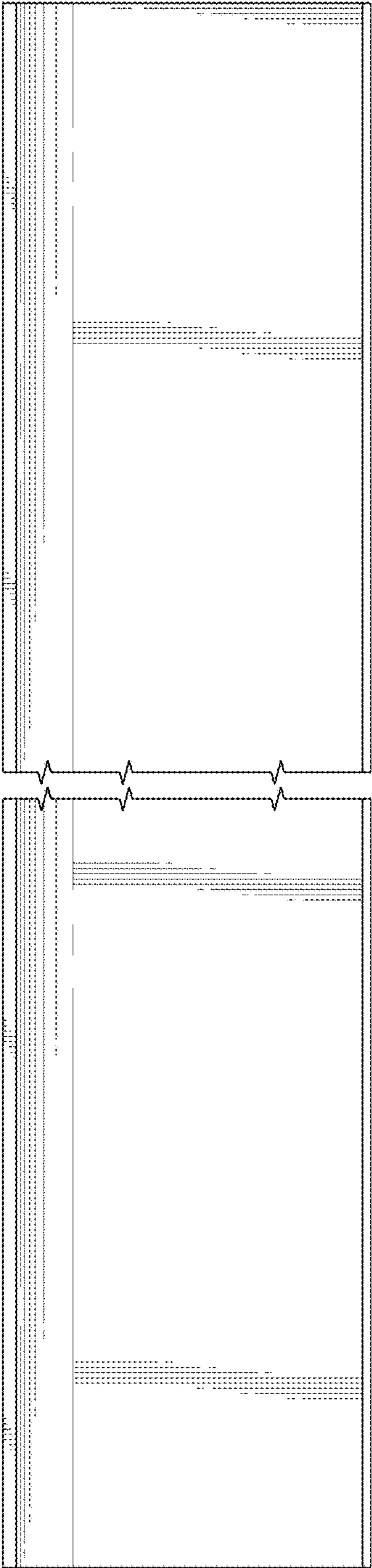


FIG. 4

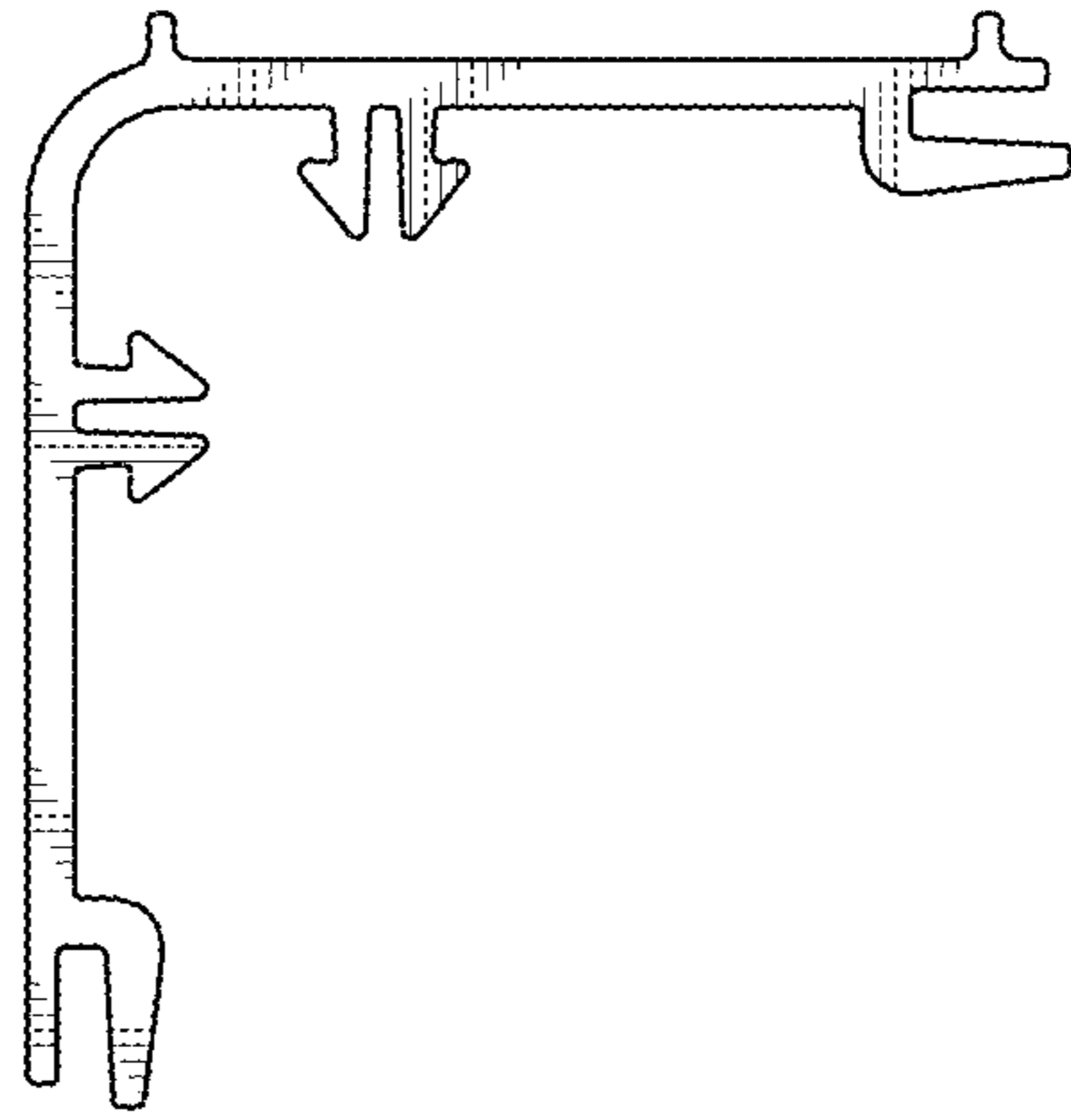


FIG. 5

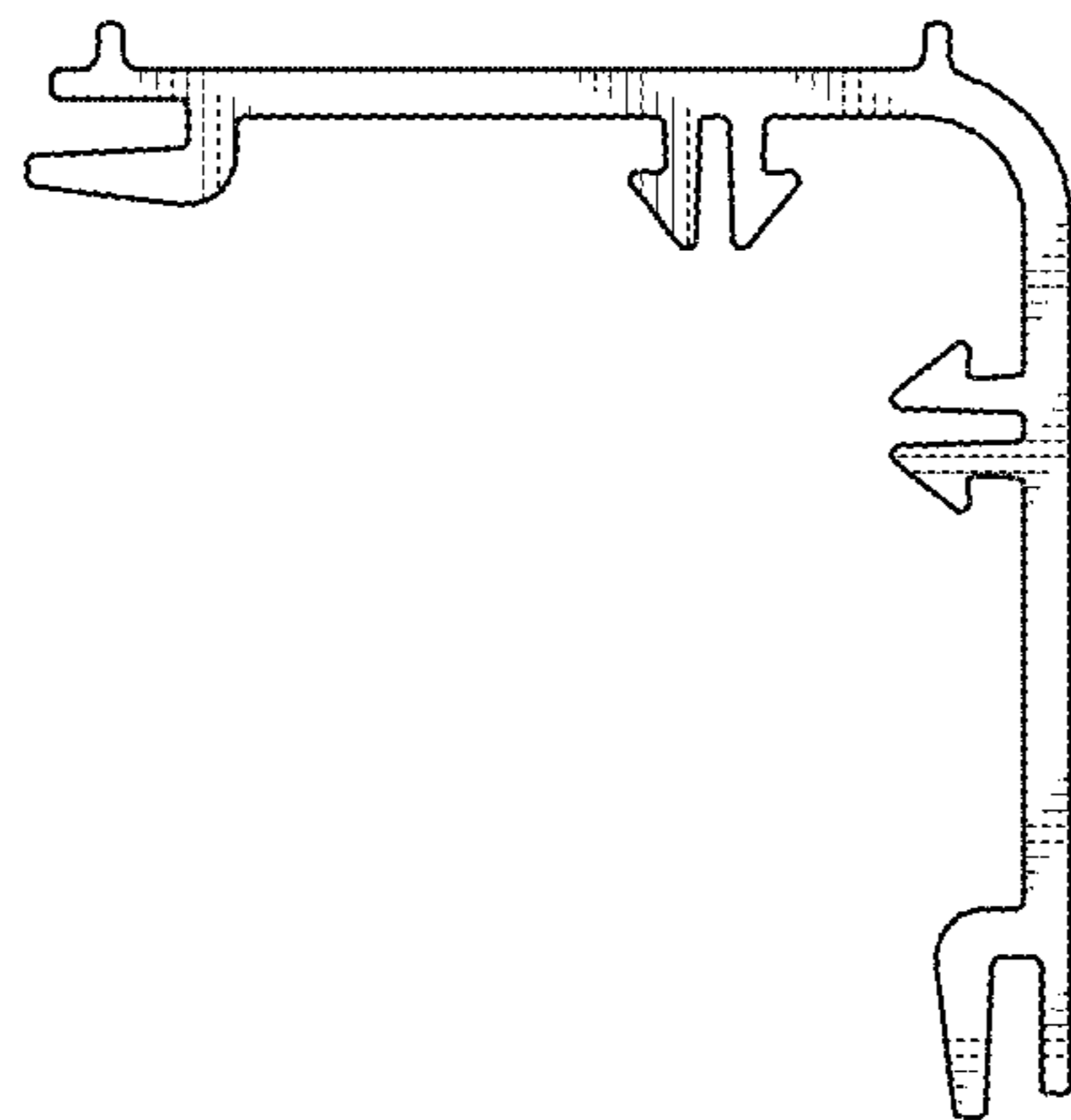


FIG. 6

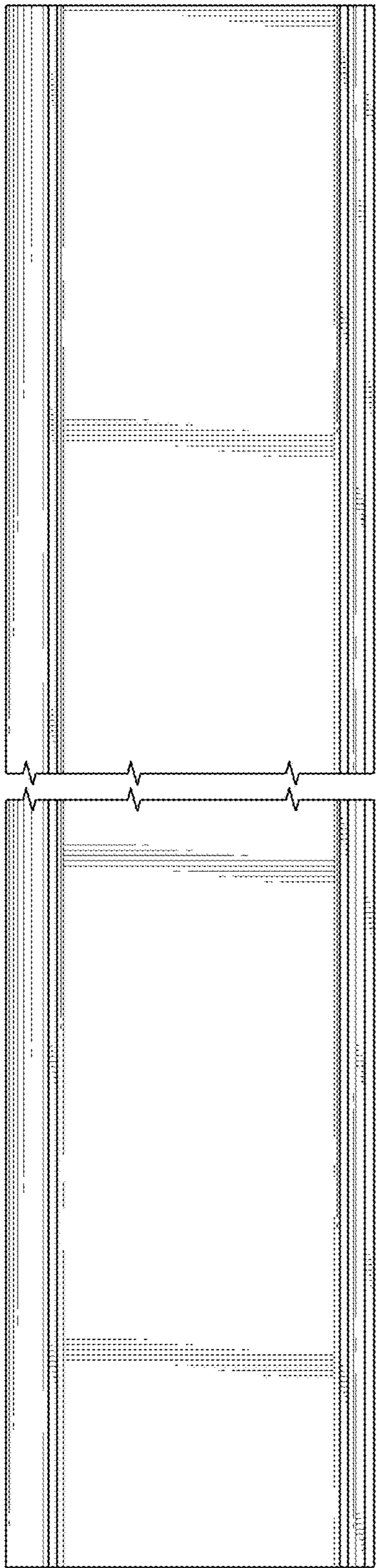


FIG. 7

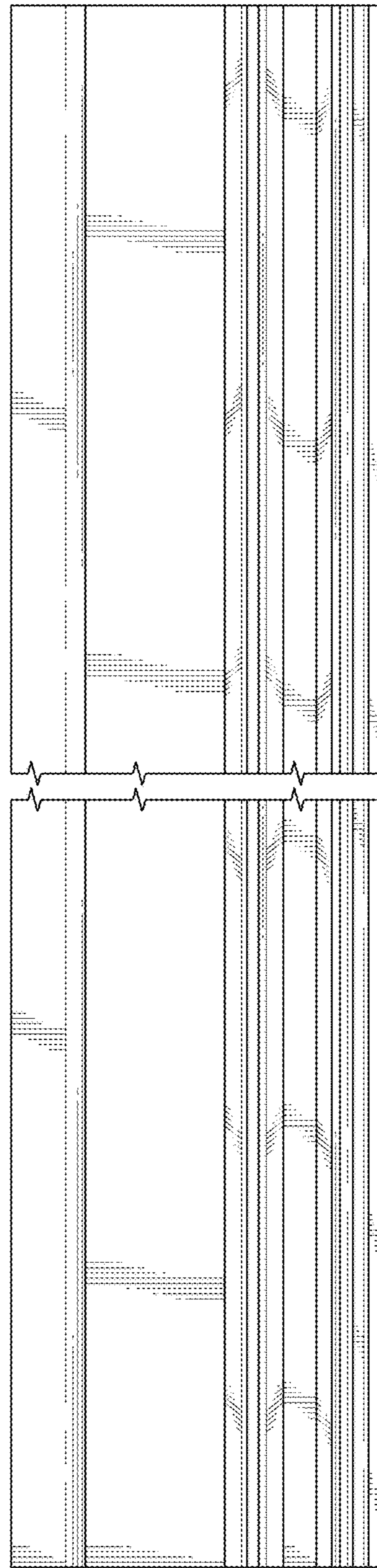


FIG. 8