



US00D828040S

(12) **United States Design Patent** (10) **Patent No.:** **US D828,040 S**
Rosenzweig (45) **Date of Patent:** **** Sep. 11, 2018**

(54) **BRUSH**

(71) Applicant: **J & D Brush Co., LLC**, Hauppauge, NY (US)

(72) Inventor: **Jeffrey S. Rosenzweig**, Hauppauge, NY (US)

(73) Assignee: **J & D Brush Co., LLC**, Hauppauge, NY (US)

(**) Term: **15 Years**

(21) Appl. No.: **29/630,614**

(22) Filed: **Dec. 21, 2017**

Related U.S. Application Data

(62) Division of application No. 29/574,345, filed on Aug. 15, 2016, now Pat. No. Des. 815,839.

(51) **LOC (11) Cl.** **04-02**

(52) **U.S. Cl.**
USPC **D4/138**

(58) **Field of Classification Search**
USPC D4/117, 129, 130, 132, 134, 136, 138;
D28/21, 28, 30, 64.4, 64.7, 73; D32/49;
15/106, 110, 186
CPC A45D 24/00; A45D 24/10; A45D 24/14;
A46B 1/00; A46B 5/00; A46B 5/02;
A46B 5/021; A46B 3/005; A46B 3/20;
A46B 3/22; A46B 7/02; A46B 7/04;
A46B 9/00; A46B 9/005; A46B 9/02;
A46B 9/023; A46B 9/025; A46B 15/002;
A46B 15/0051; A46B 15/0085; A46B
15/0087; A46B 15/0095; A46B 2200/10;
A46B 2200/102; A46B 2200/104; A46B
2200/1093; A46B 2200/205

See application file for complete search history.

(56) **References Cited**

U.S. PATENT DOCUMENTS

1,128,667 A * 2/1915 DuPuy A46B 3/16
15/176.6
D306,523 S * 3/1990 Natali D4/116
D366,567 S * 1/1996 Gertsma D4/133
D455,560 S * 4/2002 Kim D4/133
6,513,457 B2 * 2/2003 Huddleston A01K 13/002
119/626
D543,704 S * 6/2007 Leung D4/133

(Continued)

OTHER PUBLICATIONS

Wet Brush Speed Dry Hair Brush Pink, [on-line]; [Review posted to the Internet on Mar. 7, 2016]; [retrieved from the Internet on May 4, 2018]; URL: <https://www.amazon.com/Wet-Brush-Speed-Hair-Pink/dp/B01BCU41UG?th=1>. (9 pgs). (Year: 2016).*

Primary Examiner — Karen E Eldridge Powers

Assistant Examiner — Jasmine Mlinarcik

(74) *Attorney, Agent, or Firm* — Gloria Tsui-Yip; Gottlieb, Rackman & Reisman, P.C.

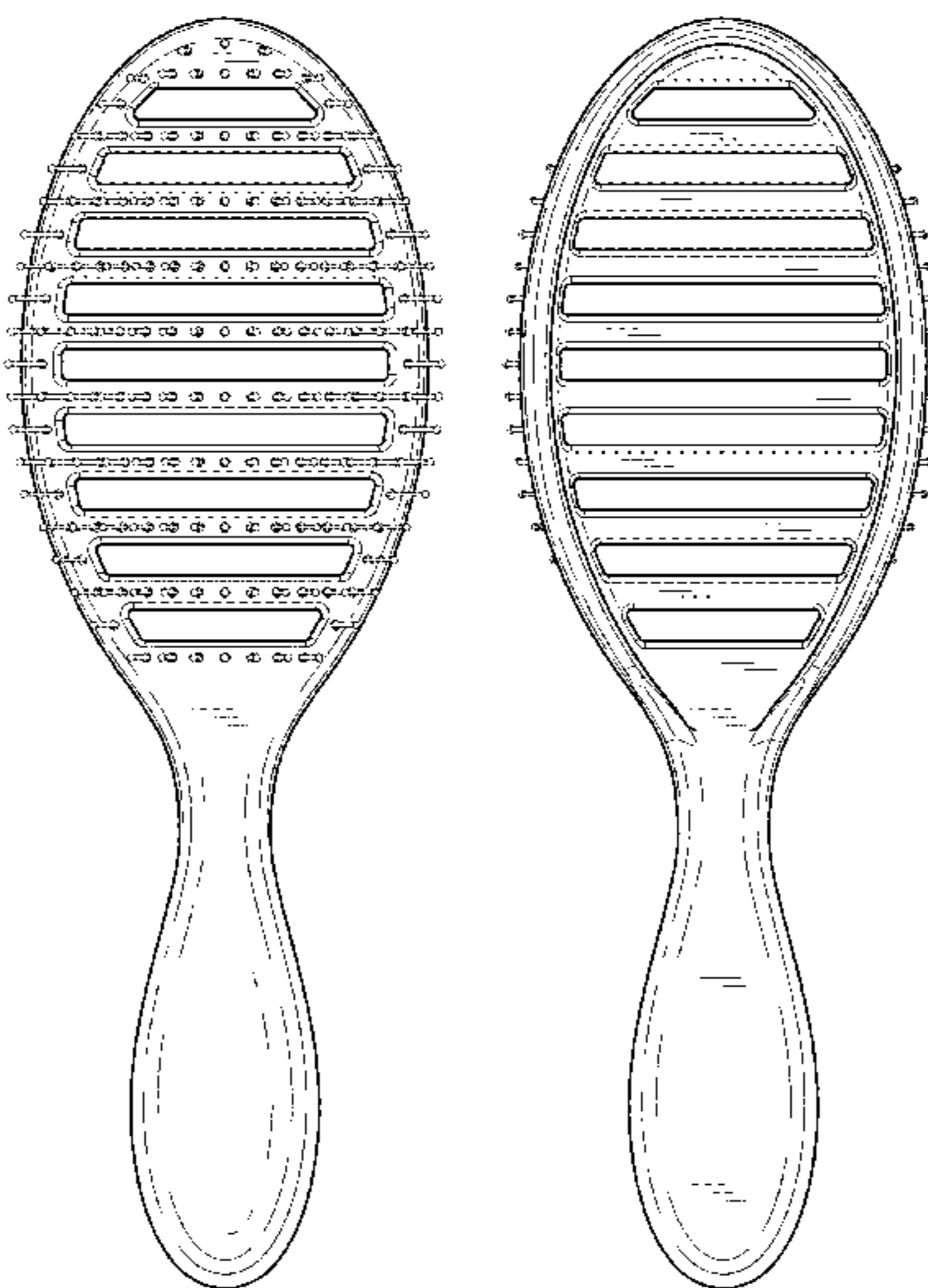
(57) **CLAIM**

The ornamental design for a brush, as shown and described.

DESCRIPTION

FIG. 1 is a front elevational view of a brush showing my new design;
FIG. 2 is a rear elevational view thereof;
FIG. 3 is a left side elevational view thereof;
FIG. 4 is a right side elevational view thereof;
FIG. 5 is a top plan view thereof;
FIG. 6 is a bottom plan view thereof;
FIG. 7 is a perspective view thereof;
FIG. 8 is another perspective view thereof; and,
FIG. 9 is an enlarged detail view of the brush
The broken lines showing of brush tips illustrate environmental matters which form no part of the claimed design.

1 Claim, 6 Drawing Sheets



(56)

References Cited

U.S. PATENT DOCUMENTS

7,316,045	B2 *	1/2008	Koke	A46B 17/06 132/119
D764,808	S *	8/2016	Rosenzweig	D4/132
9,402,460	B2 *	8/2016	Hickey	A46B 9/023
D782,829	S *	4/2017	Park	D4/138
D796,210	S *	9/2017	Hu	D28/25
D803,578	S *	11/2017	Morton	D4/138
D815,839	S *	4/2018	Rosenzweig	D4/136

* cited by examiner

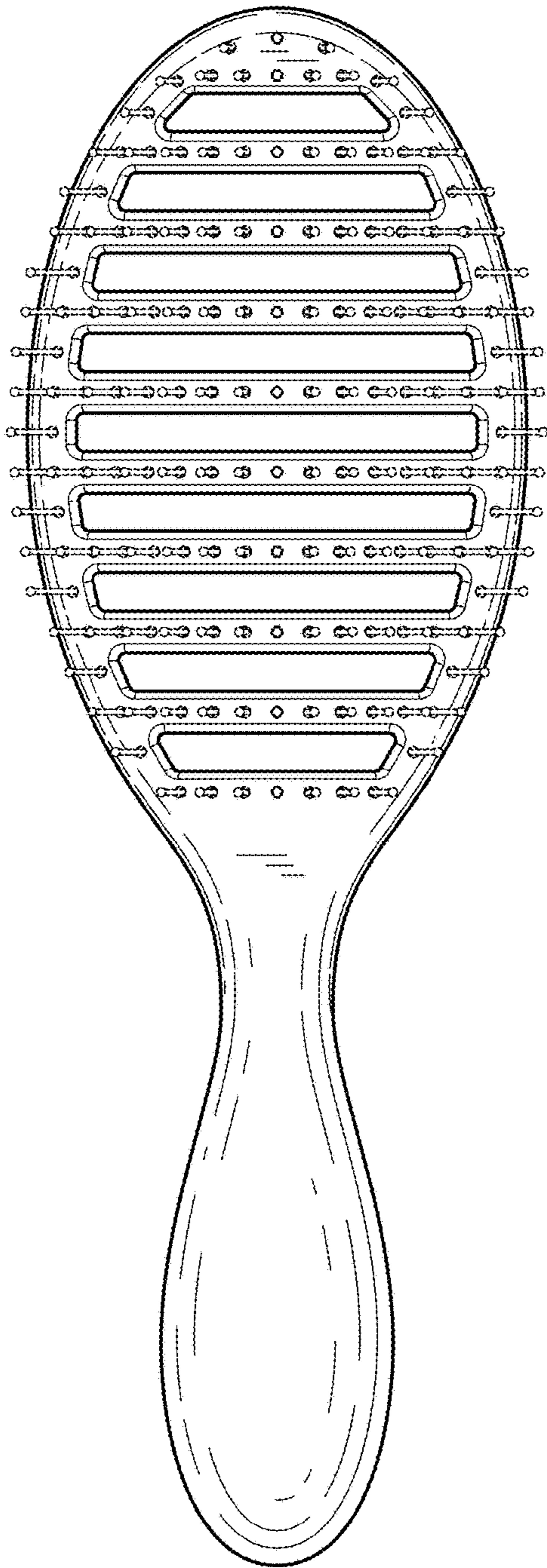


FIG.1

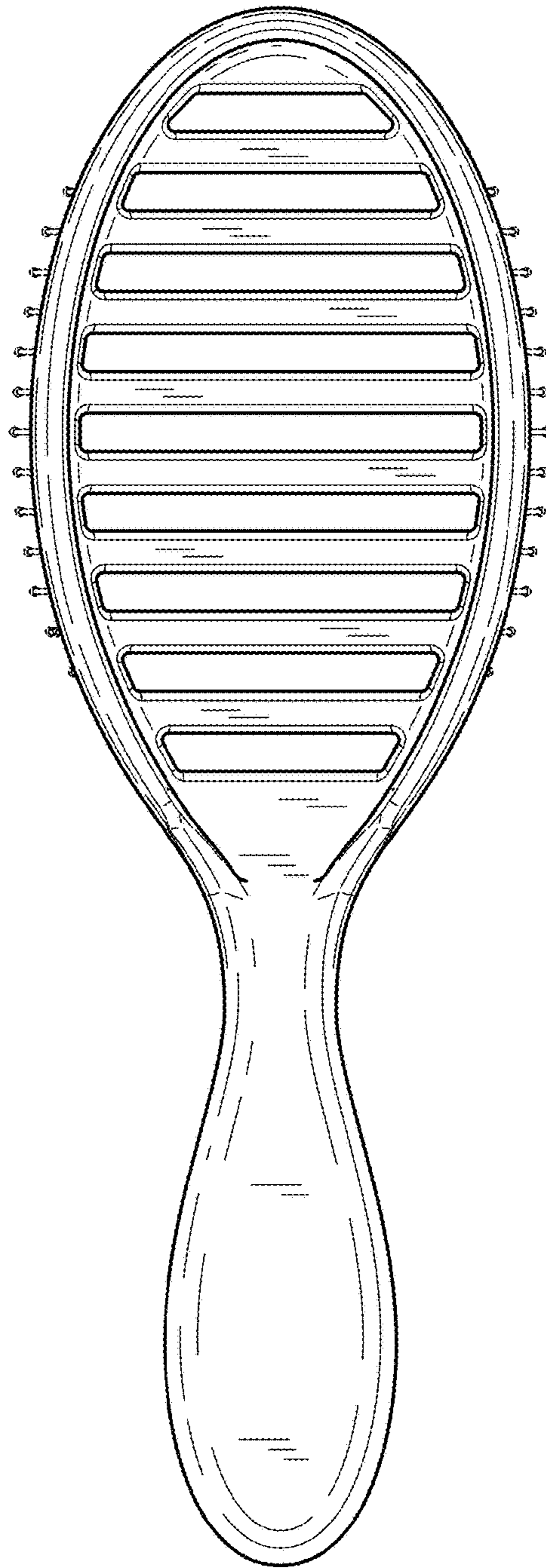


FIG.2

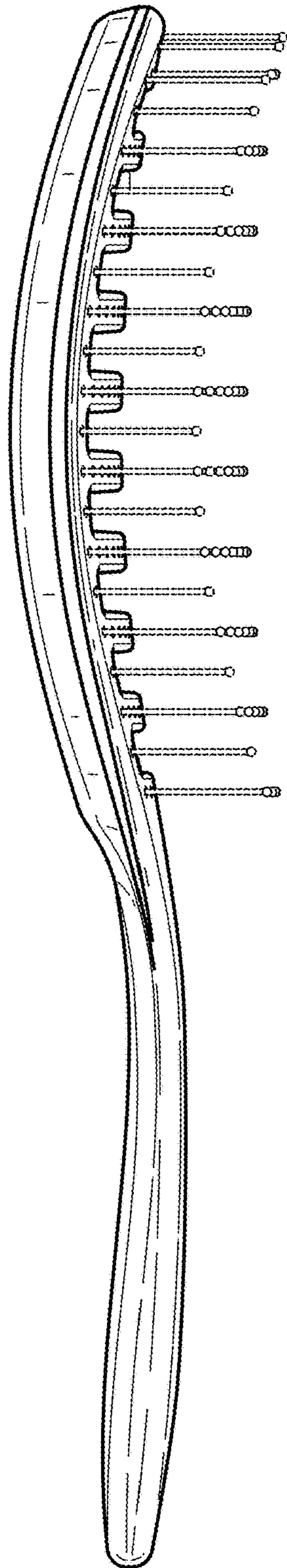


FIG.3

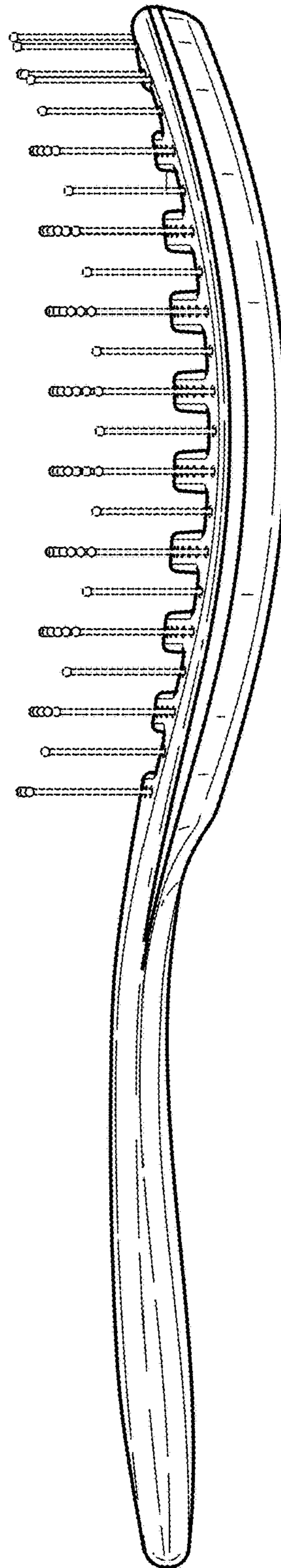


FIG.4

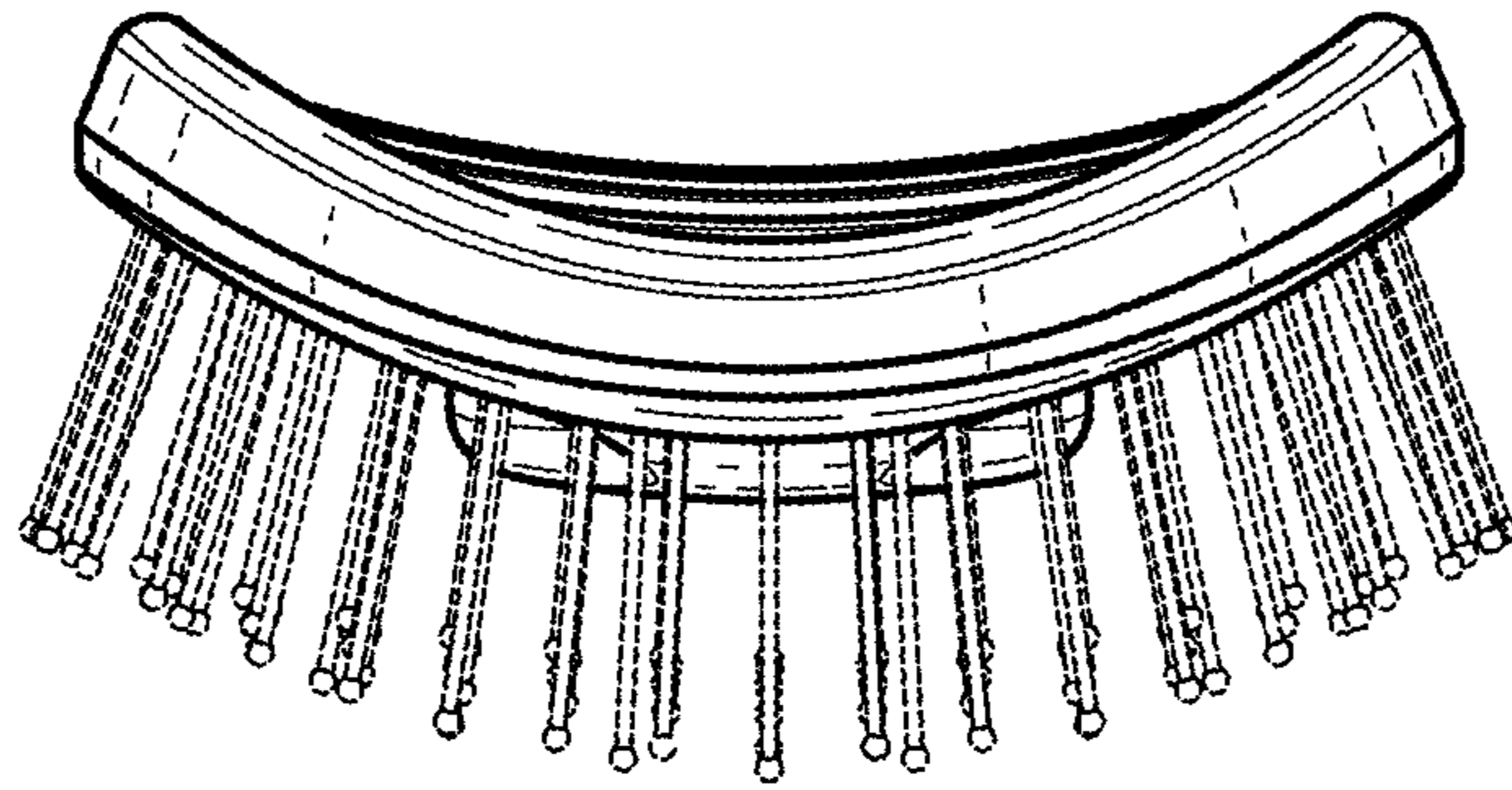


FIG. 5

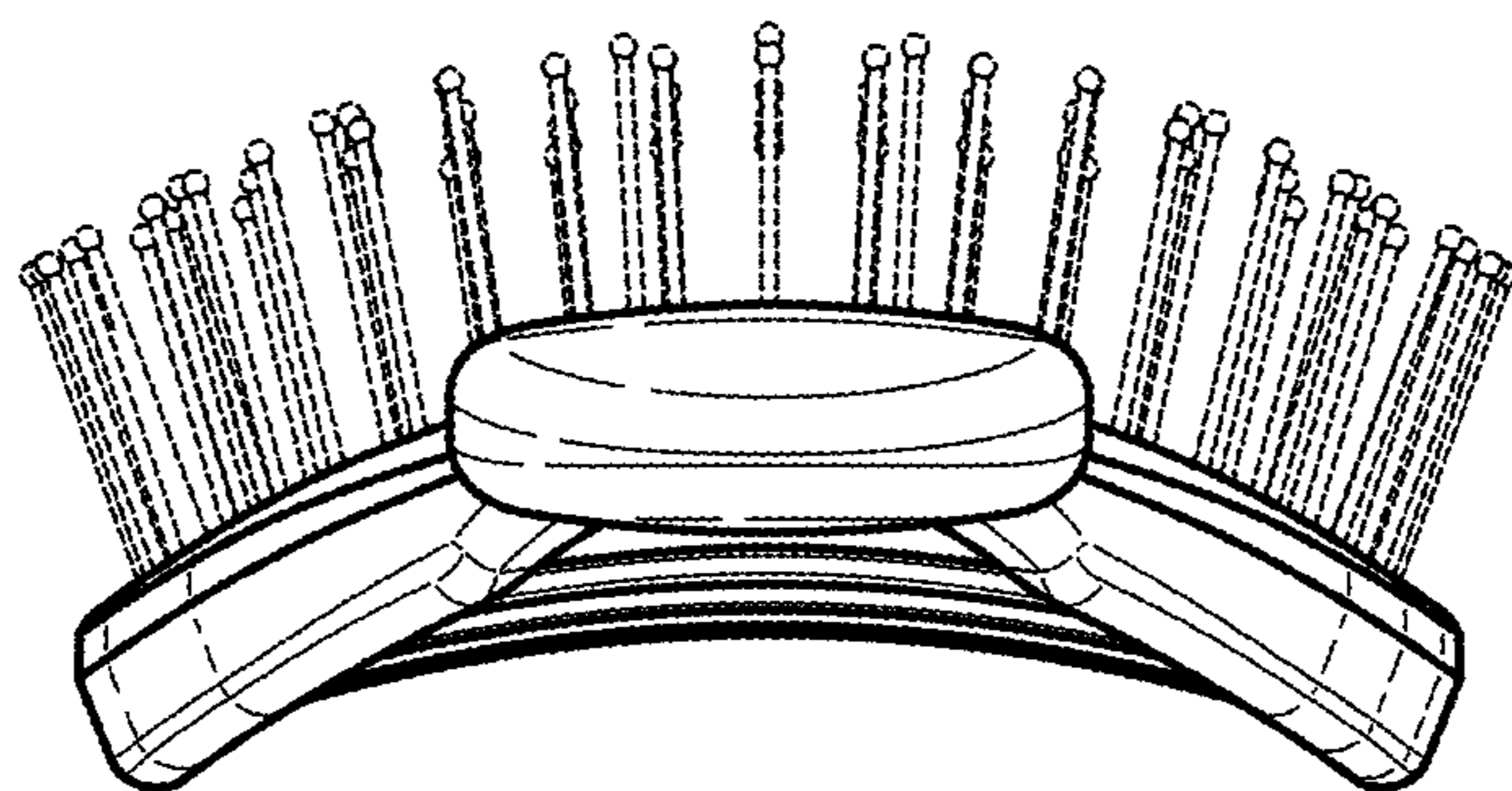


FIG. 6

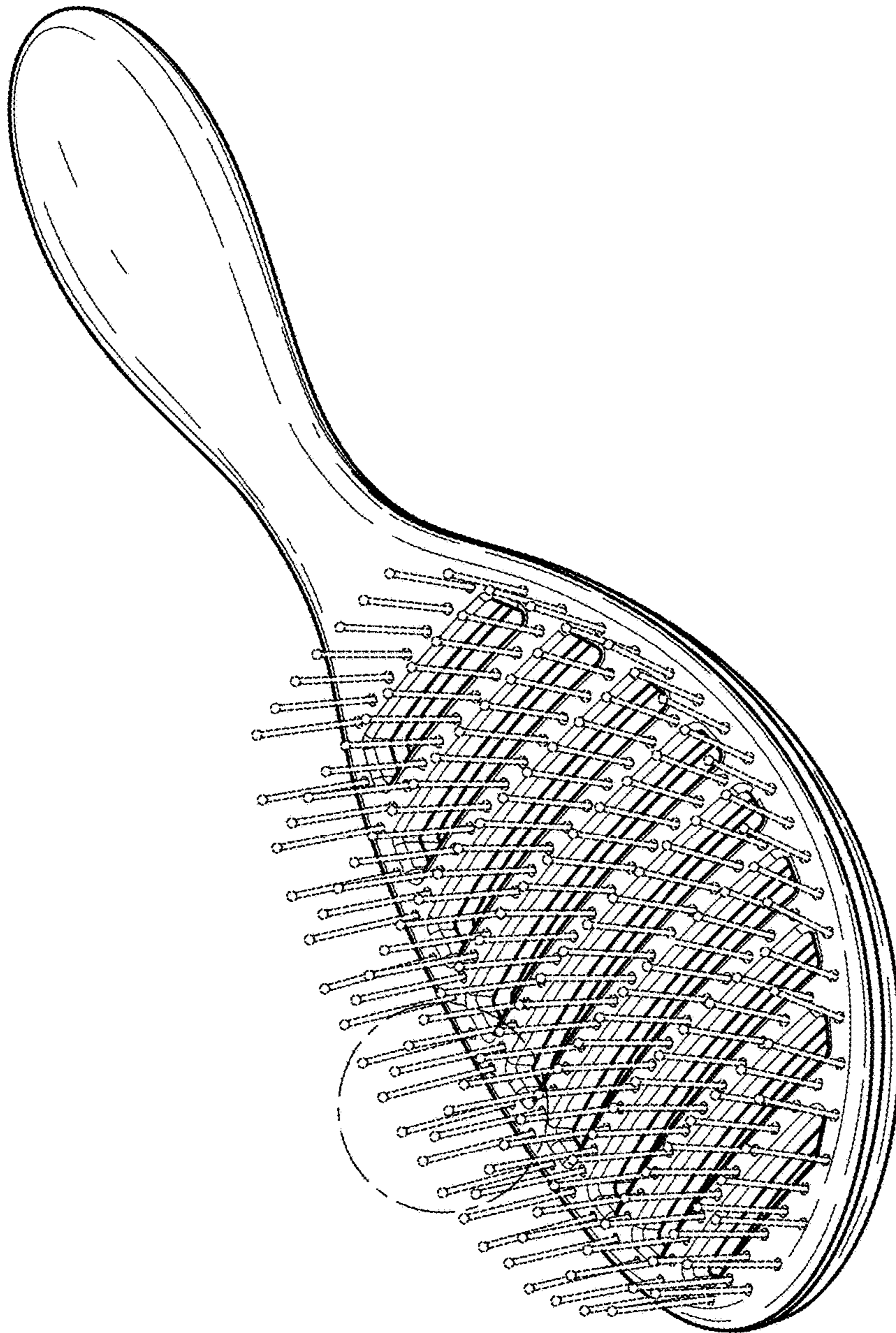


FIG.7

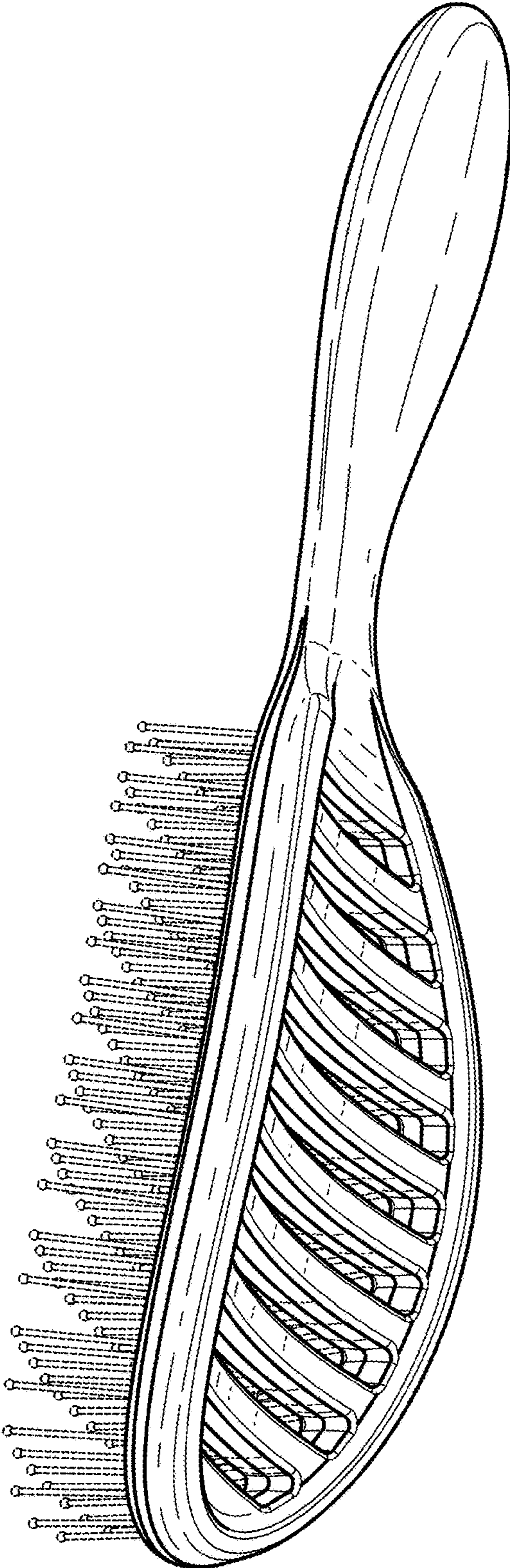


FIG.8

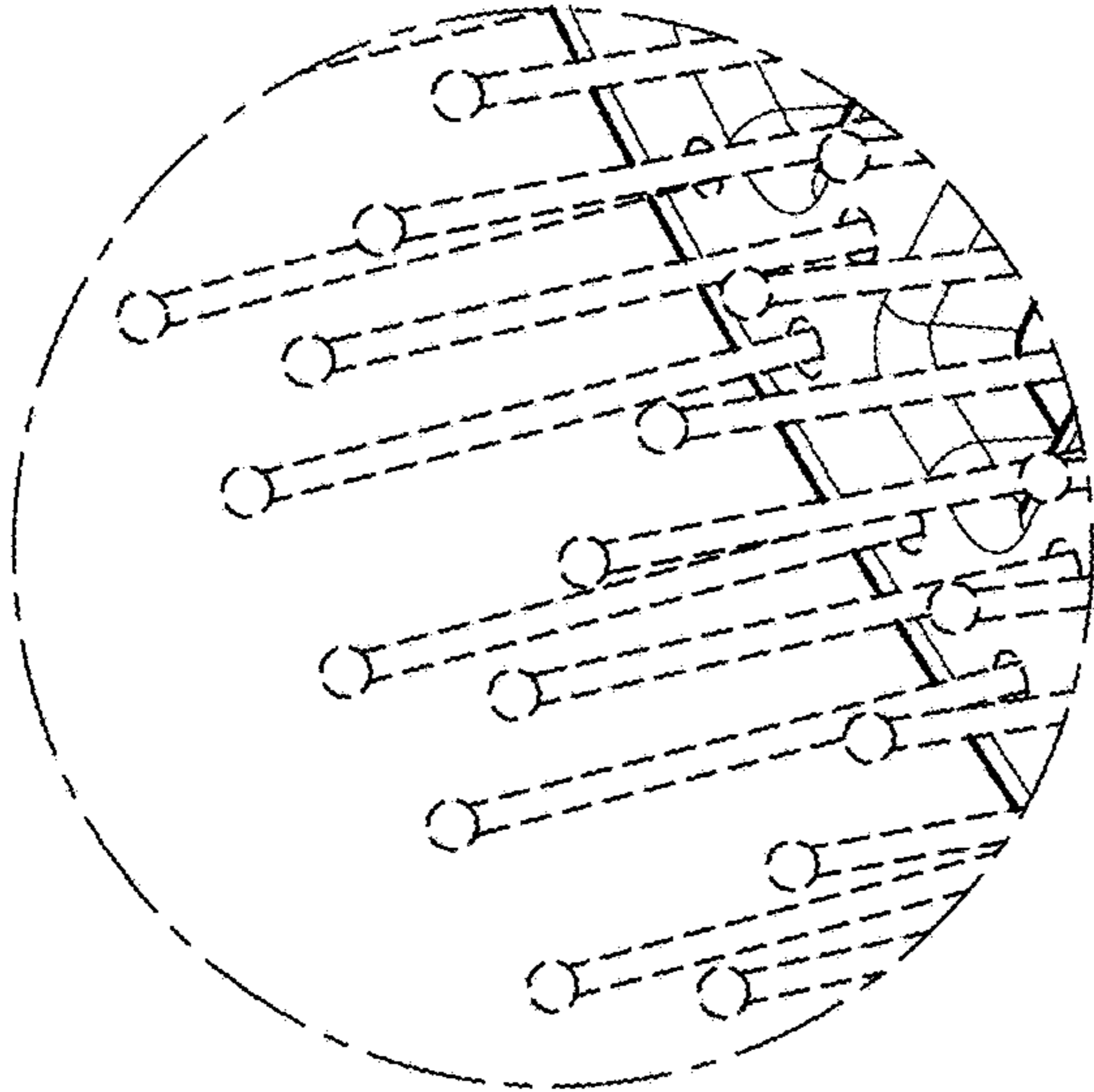


FIG.9