



US00D828037S

(12) **United States Design Patent**
Jimenez

(10) **Patent No.:** **US D828,037 S**

(45) **Date of Patent:** **** Sep. 11, 2018**

(54) **TOOTHBRUSH**

(71) Applicant: **Colgate-Palmolive Company**, New York, NY (US)

(72) Inventor: **Eduardo Jimenez**, Manalapan, NJ (US)

(73) Assignee: **Colgate-Palmolive Company**, New York, NY (US)

(**) Term: **15 Years**

(21) Appl. No.: **29/606,133**

(22) Filed: **Jun. 1, 2017**

(51) **LOC (11) Cl.** **04-02**

(52) **U.S. Cl.**
USPC **D4/110**

(58) **Field of Classification Search**

USPC D4/100, 101, 102, 103, 104, 105, 106,
D4/107, 108, 109, 110, 111, 112, 113,
D4/114, 115, 116, 117, 118, 119, 120,
D4/121, 122, 123, 134, 135, 126, 127,
D4/128, 129, 130, 131, 132, 133, 136,
D4/137, 138, 199; D24/194, 195

CPC A46B 9/02; A46B 9/04; A46B 15/0081;
A46B 2200/1066; A46B 2200/1073;
A46B 5/02; A46B 9/026

See application file for complete search history.

(56) **References Cited**

U.S. PATENT DOCUMENTS

D274,018 S * 5/1984 Usui D4/105
5,138,737 A * 8/1992 Thomas A46B 5/02
15/143.1
5,683,421 A * 11/1997 Guarini, Jr. A61J 17/02
601/142
D404,921 S * 2/1999 Smith D4/104
D566,400 S 4/2008 Phillips et al.
D619,370 S 7/2010 Tegeder et al.
D646,792 S * 10/2011 Pope D24/194
D688,046 S 8/2013 Aslett et al.

D745,283 S 12/2015 Phillips et al.
D778,616 S 2/2017 Aslett et al.
D799,836 S * 10/2017 Bauernfeind D4/104
9,826,822 B2 * 11/2017 Geiberger A46B 5/007
2010/0319149 A1 12/2010 Phillips

FOREIGN PATENT DOCUMENTS

JP D1246249 * 8/2005
WO WO-D089878-002 * 6/2016

OTHER PUBLICATIONS

Baby Banana Teething Toothbrush for Infants, <http://www.babybananabrush.com/product-category/brushes-and-teethers/>, downloaded from the Internet prior to the date of this application, 2 pages.

* cited by examiner

Primary Examiner — Karen E Eldridge Powers

(57) **CLAIM**

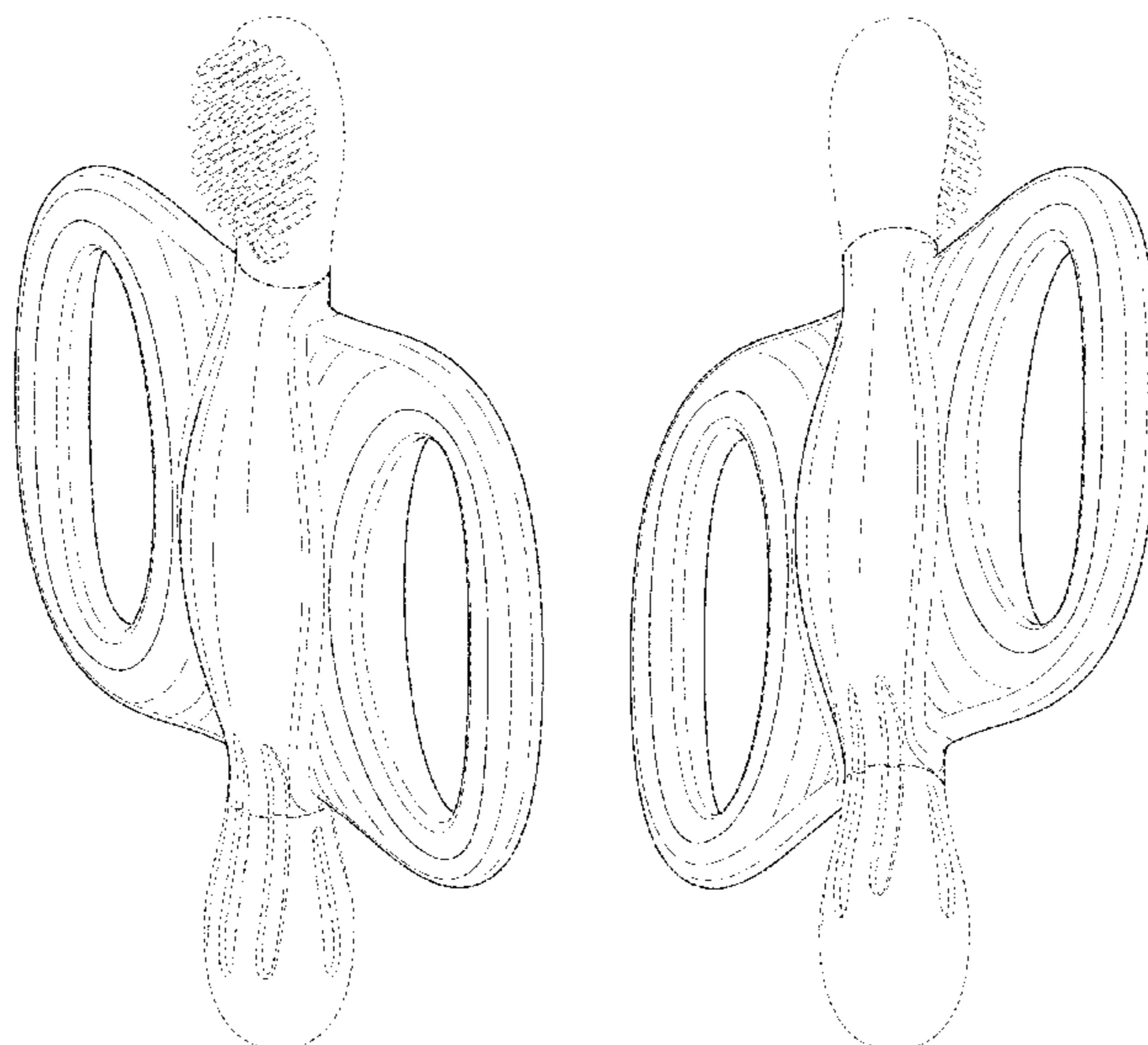
The ornamental design for an toothbrush, as shown and described.

DESCRIPTION

FIG. 1 is a front right perspective view of an embodiment of a toothbrush showing the new design; FIG. 2 is a rear left perspective view thereof; FIG. 3 is a front elevation view thereof; FIG. 4 is a rear elevation view thereof; FIG. 5 is a right side elevation view thereof; FIG. 6 is a left side elevation view thereof; FIG. 7 is a top plan view thereof; and, FIG. 8 is a bottom plan view thereof.

The broken lines formed by linear segments of equal length are provided for environment only and form no part of the claimed design. The broken lines formed by a dash-dot-dash sequence represent an unclaimed boundary.

1 Claim, 6 Drawing Sheets



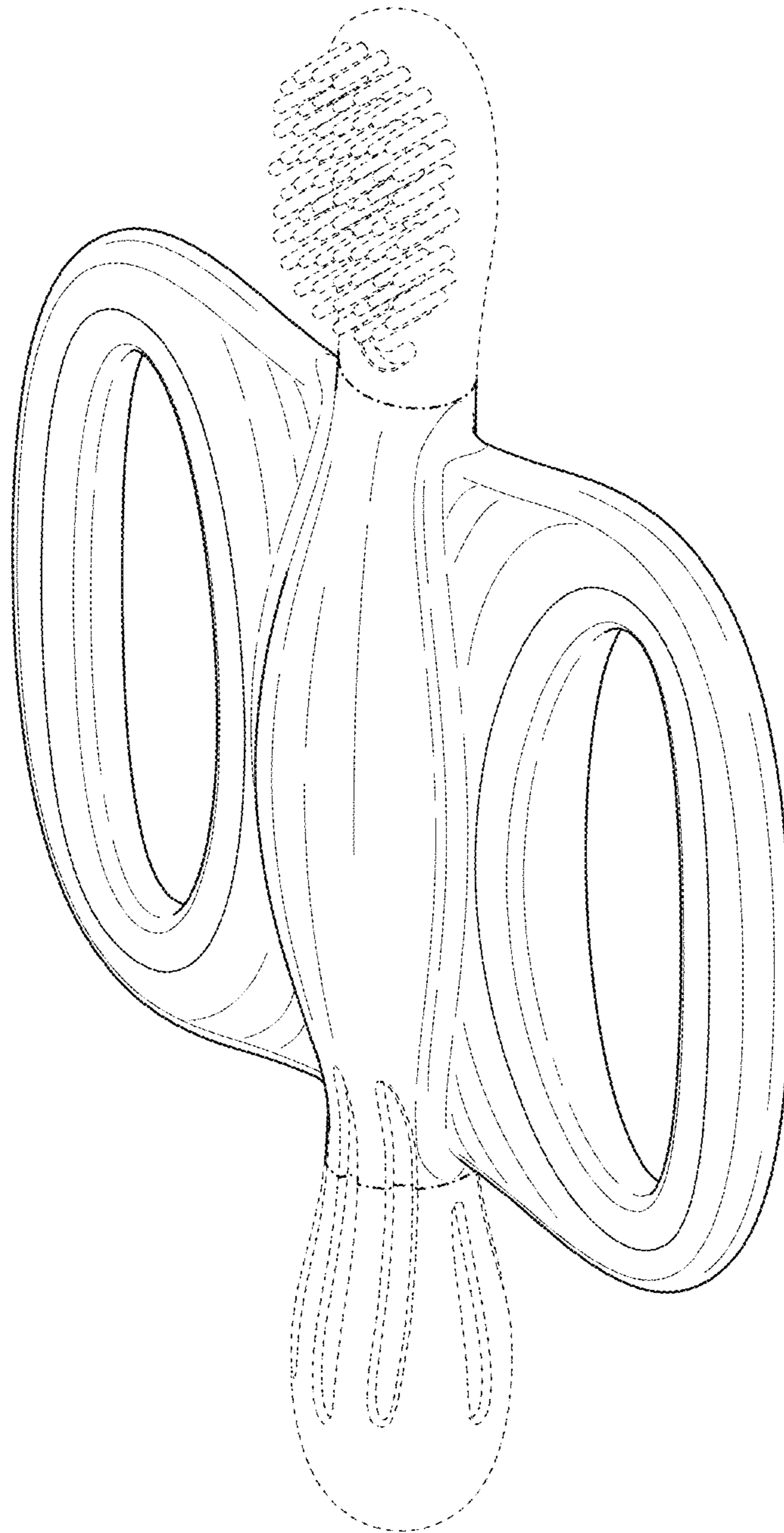


FIG. 1

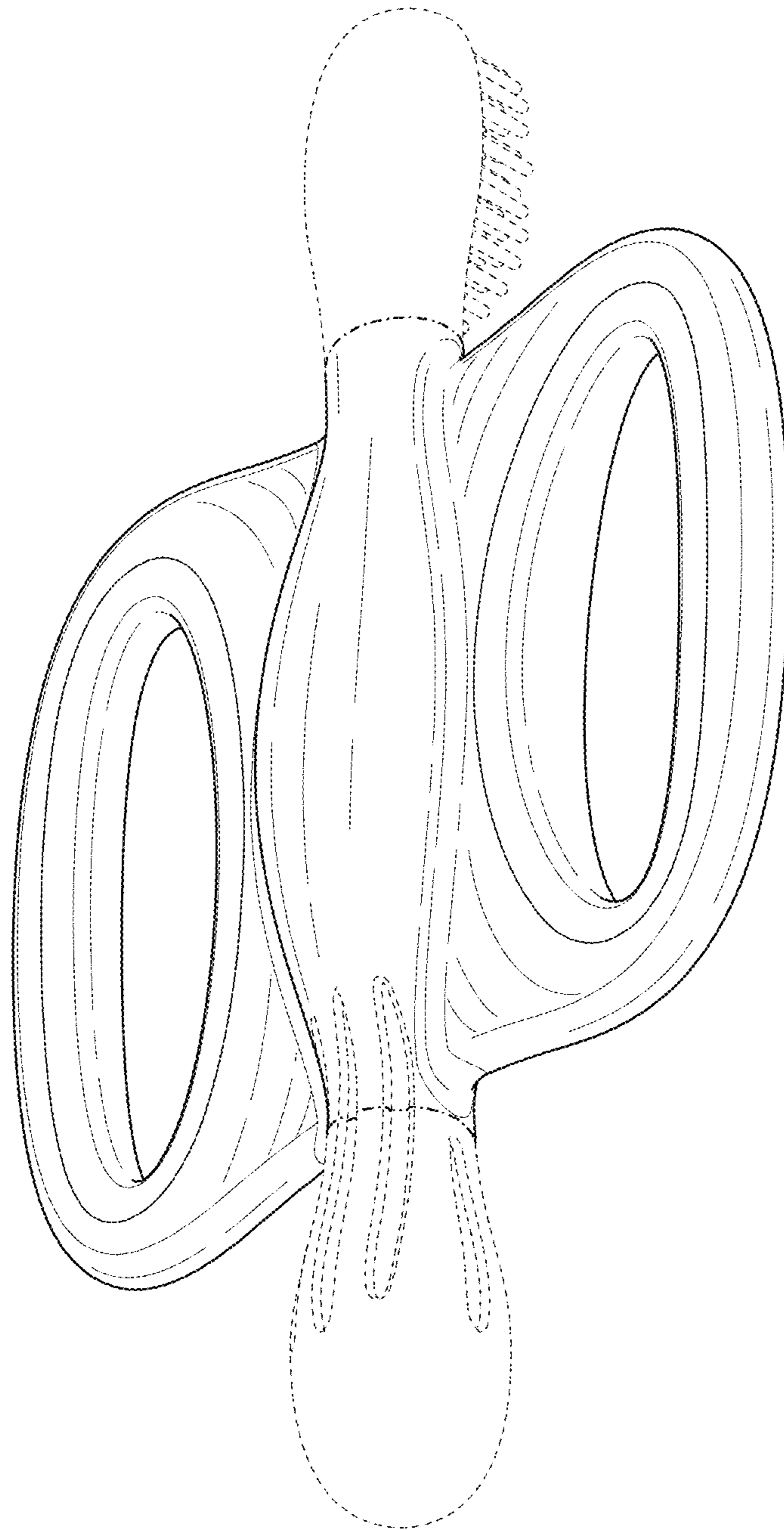


FIG. 2

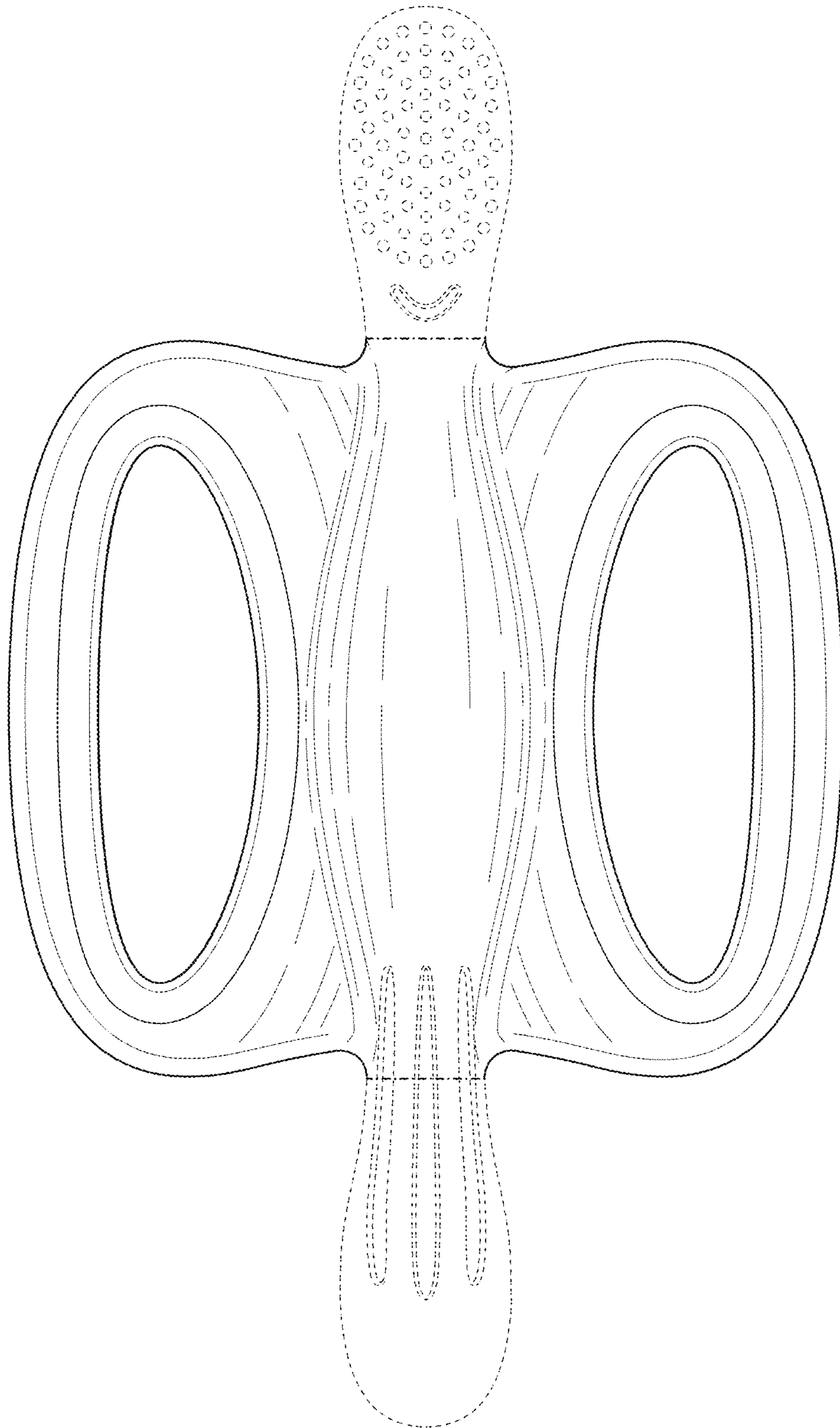


FIG. 3

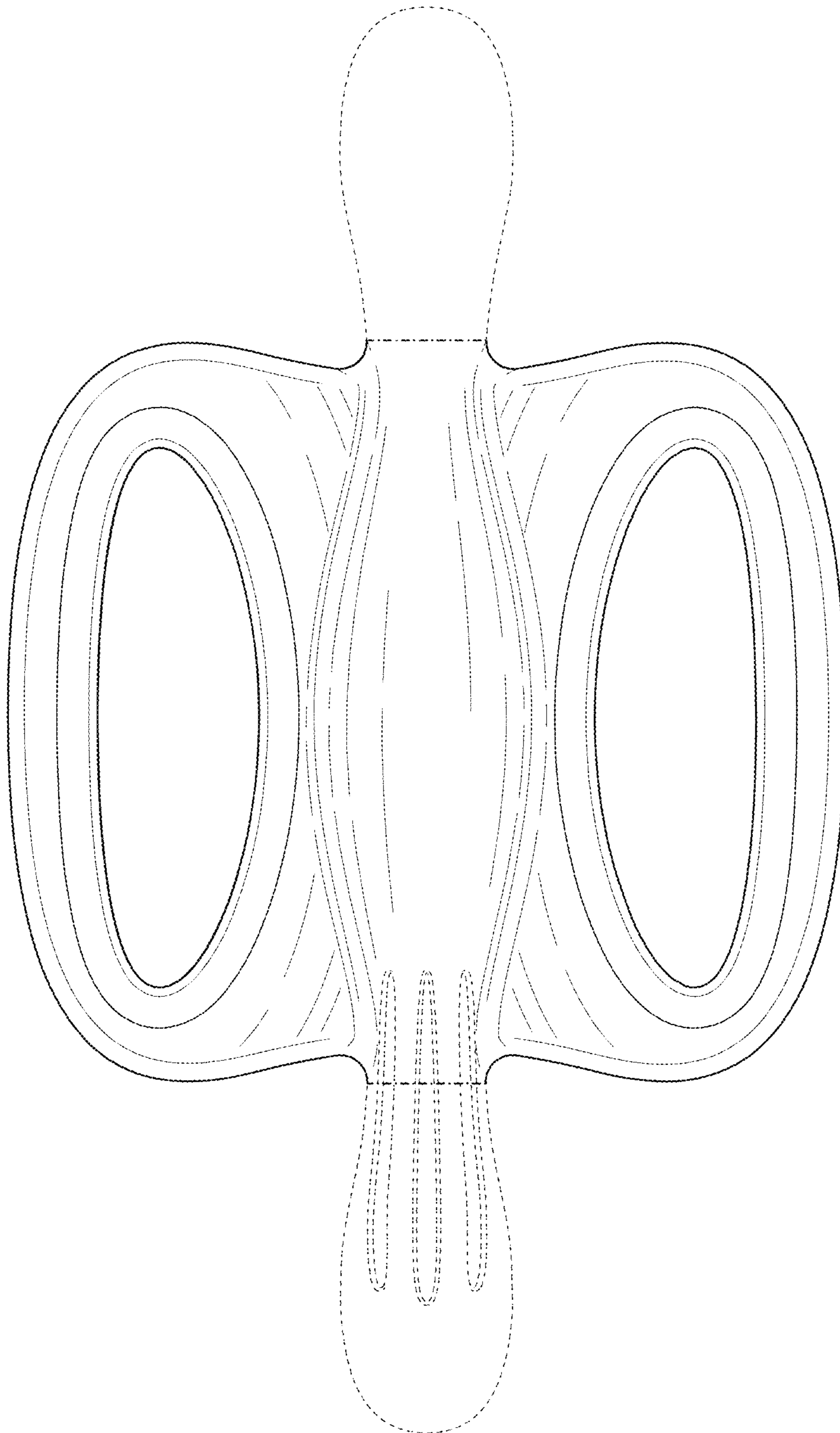


FIG. 4

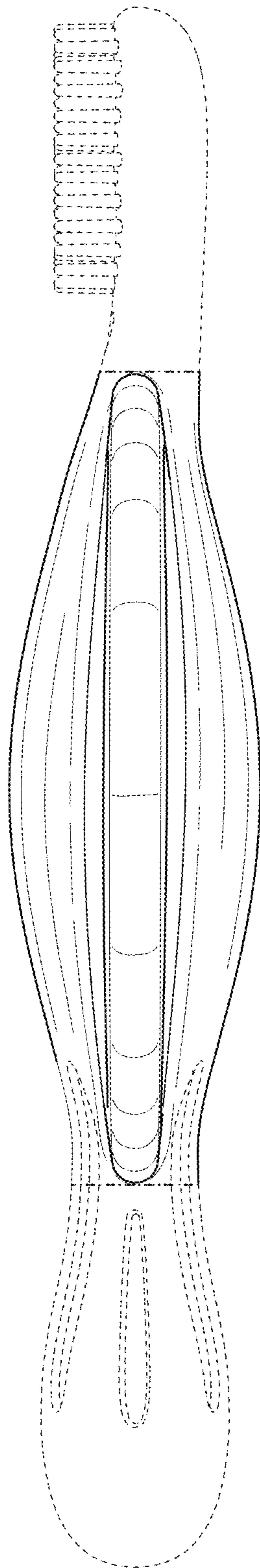


FIG. 5

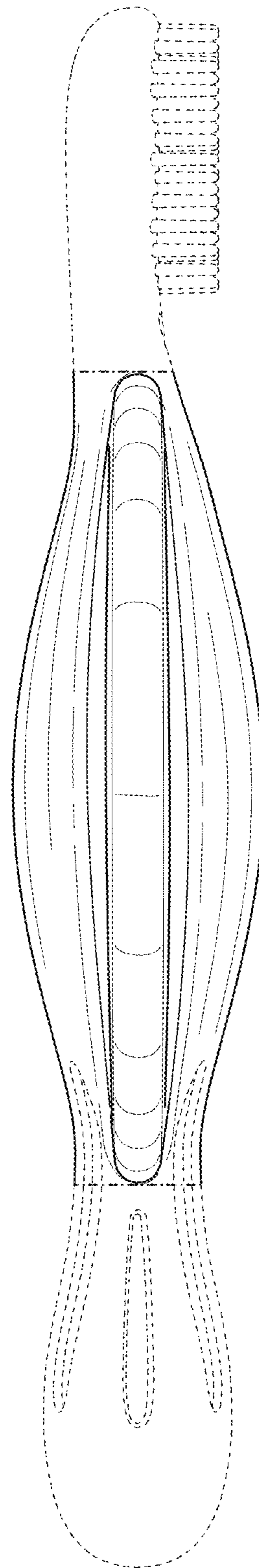


FIG. 6

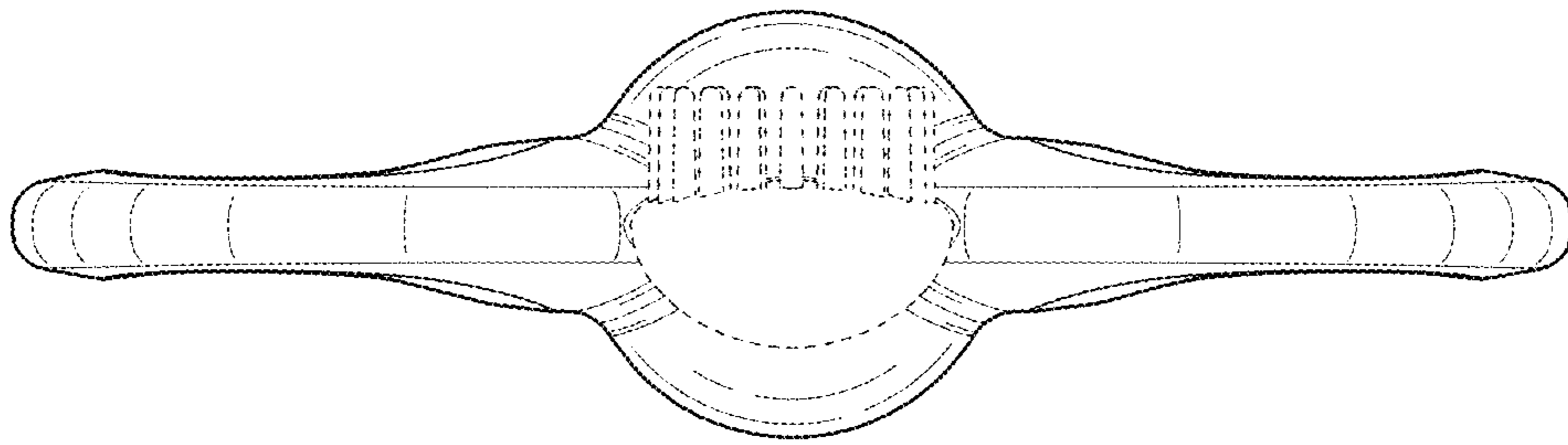


FIG. 7

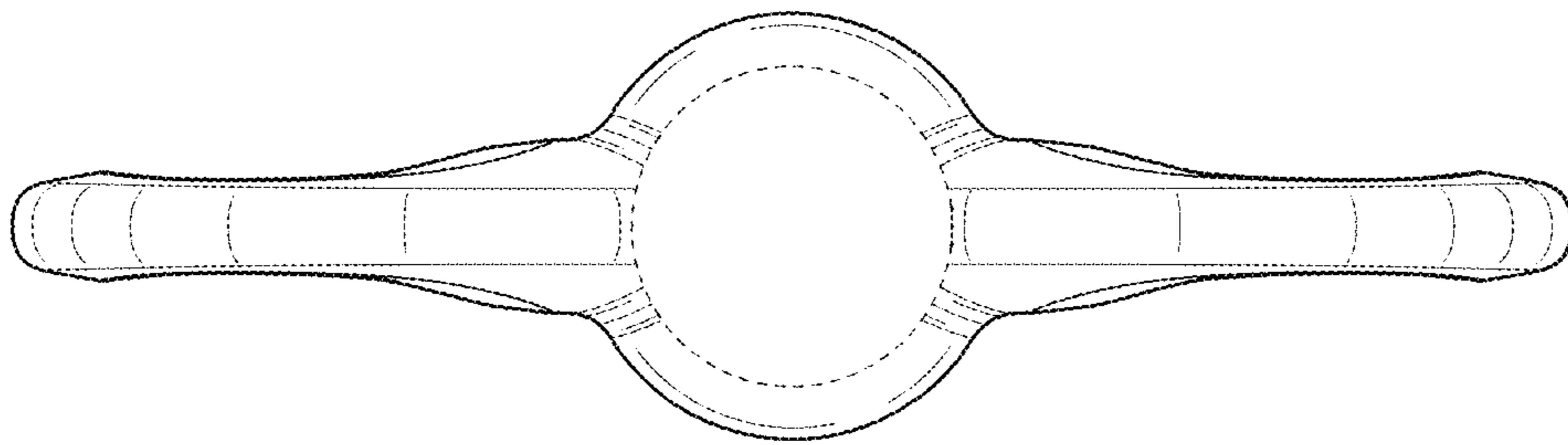


FIG. 8