

US00D828033S

(12) **United States Design Patent** (10) **Patent No.:** **US D828,033 S**  
**Harris** (45) **Date of Patent:** **\*\* Sep. 11, 2018**

(54) **LUGGAGE HANDLE**

(71) Applicant: **Samsonite IP Holdings S.a r.l.**,  
Luxembourg (LU)

(72) Inventor: **Michael Harris**, Plainville, MA (US)

(73) Assignee: **Samsonite IP Holdings S.a r.l.**,  
Luxembourg (LU)

(\*\*) Term: **15 Years**

(21) Appl. No.: **29/607,726**

(22) Filed: **Jun. 15, 2017**

(51) **LOC (11) Cl.** ..... **03-01**

(52) **U.S. Cl.**  
USPC ..... **D3/318**

(58) **Field of Classification Search**  
USPC ..... D3/273, 279, 285, 289, 318  
CPC .. A45C 5/00; A45C 5/14; A45C 11/18; A45C  
11/182

See application file for complete search history.

(56) **References Cited**

U.S. PATENT DOCUMENTS

D648,938 S	11/2011	Meersschaert et al.	
D666,004 S *	8/2012	Santy .....	D3/318
D678,678 S *	3/2013	Santy .....	D3/318
D751,293 S *	3/2016	Recchia .....	D3/318
D751,819 S *	3/2016	Vecellio .....	D3/318
D751,820 S *	3/2016	Recchia .....	D3/318
D755,523 S *	5/2016	Szyf .....	D3/318

FOREIGN PATENT DOCUMENTS

EM	001241350-0001	10/2010
EM	001241350-0002	10/2010

EM	001261903-0001	2/2011
EM	001261903-0002	2/2011
EM	001935743-0003	10/2011
EM	002310292-0006	9/2013
EM	002344622-0004	11/2013
EM	002344622-0005	11/2013
EM	002344622-0006	11/2013
EM	002344622-0012	11/2013
EM	002576728-0008	11/2014
EM	002576728-0009	11/2014
EM	002576728-0010	11/2014

\* cited by examiner

*Primary Examiner* — Holly H Baynham

(74) *Attorney, Agent, or Firm* — Dorsey & Whitney LLP

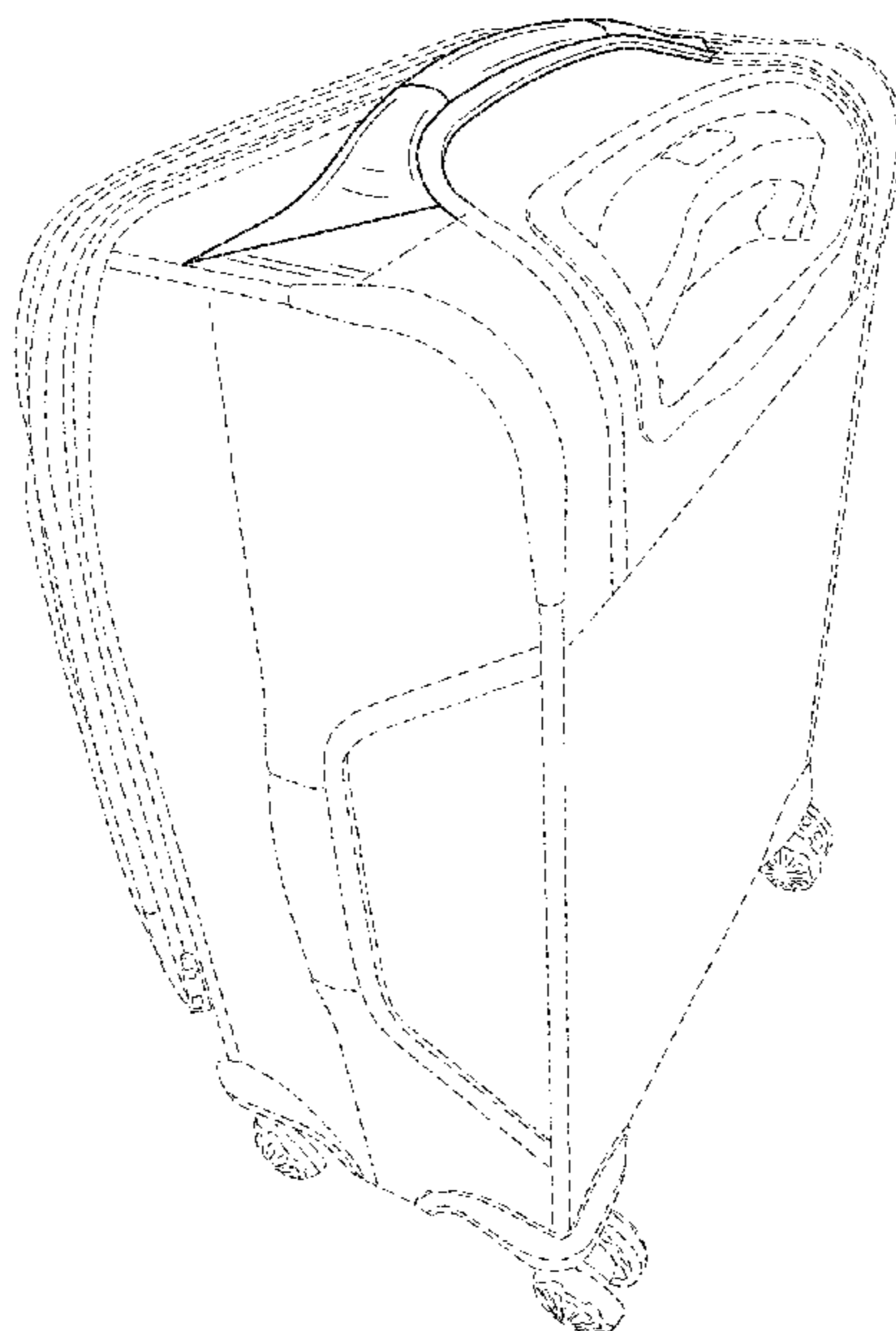
(57) **CLAIM**

The ornamental design for a luggage handle, as shown and described.

**DESCRIPTION**

FIG. 1 shows a rear perspective view of a luggage handle, the luggage handle shown on a luggage case;  
FIG. 2 shows a front elevation view of a luggage handle of FIG. 1;  
FIG. 3 shows a rear elevation view of a luggage handle of FIG. 1;  
FIG. 4 shows a left elevation view of a luggage handle of FIG. 1;  
FIG. 5 shows a right elevation view of a luggage handle of FIG. 1;  
FIG. 6 shows a top view of a luggage handle of FIG. 1; and,  
FIG. 7 shows a bottom view of a luggage handle of FIG. 1.  
The broken lines in FIGS. 1-7 illustrate the environment of a luggage handle and form no part of the claimed invention.

**1 Claim, 7 Drawing Sheets**



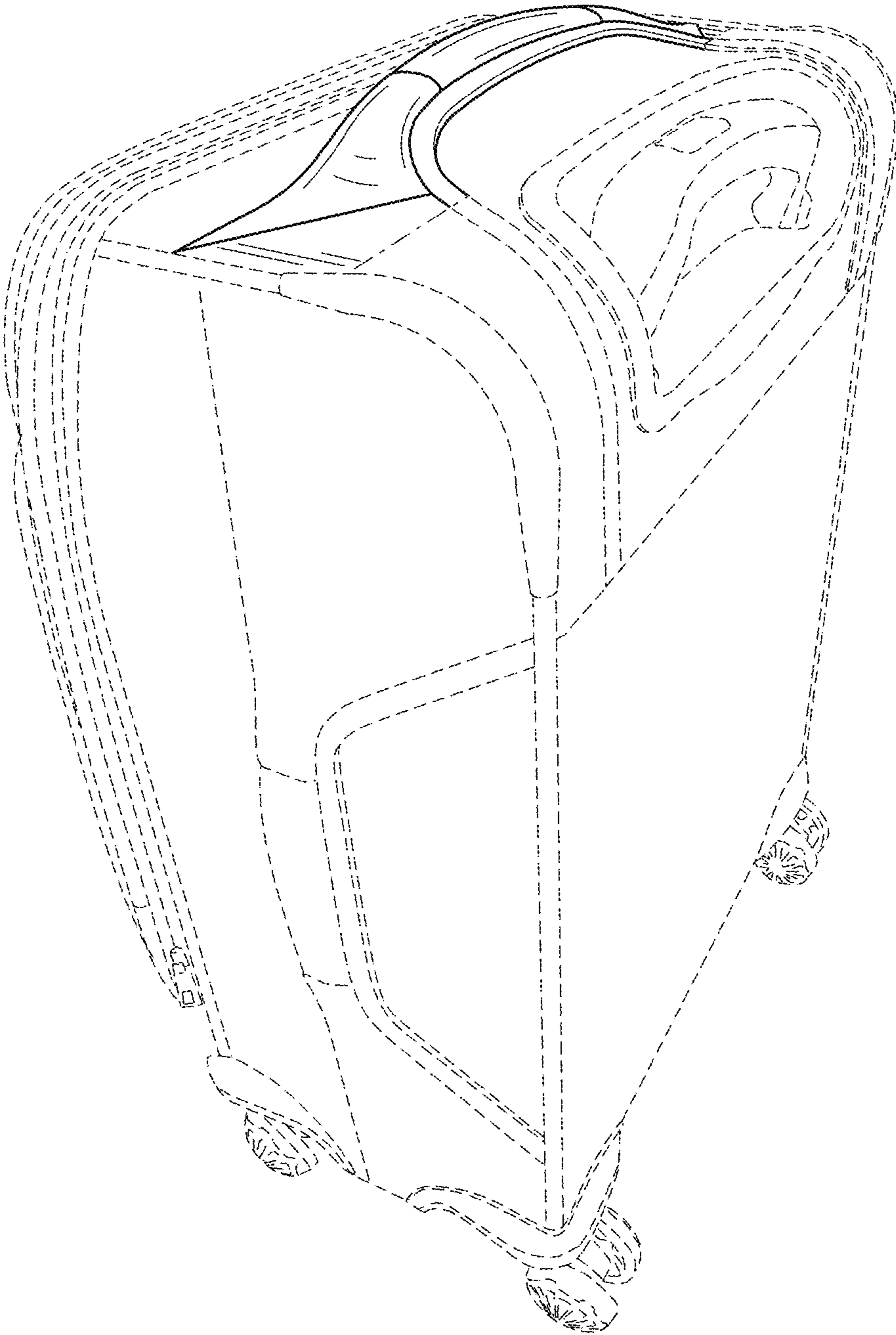


FIG. 1

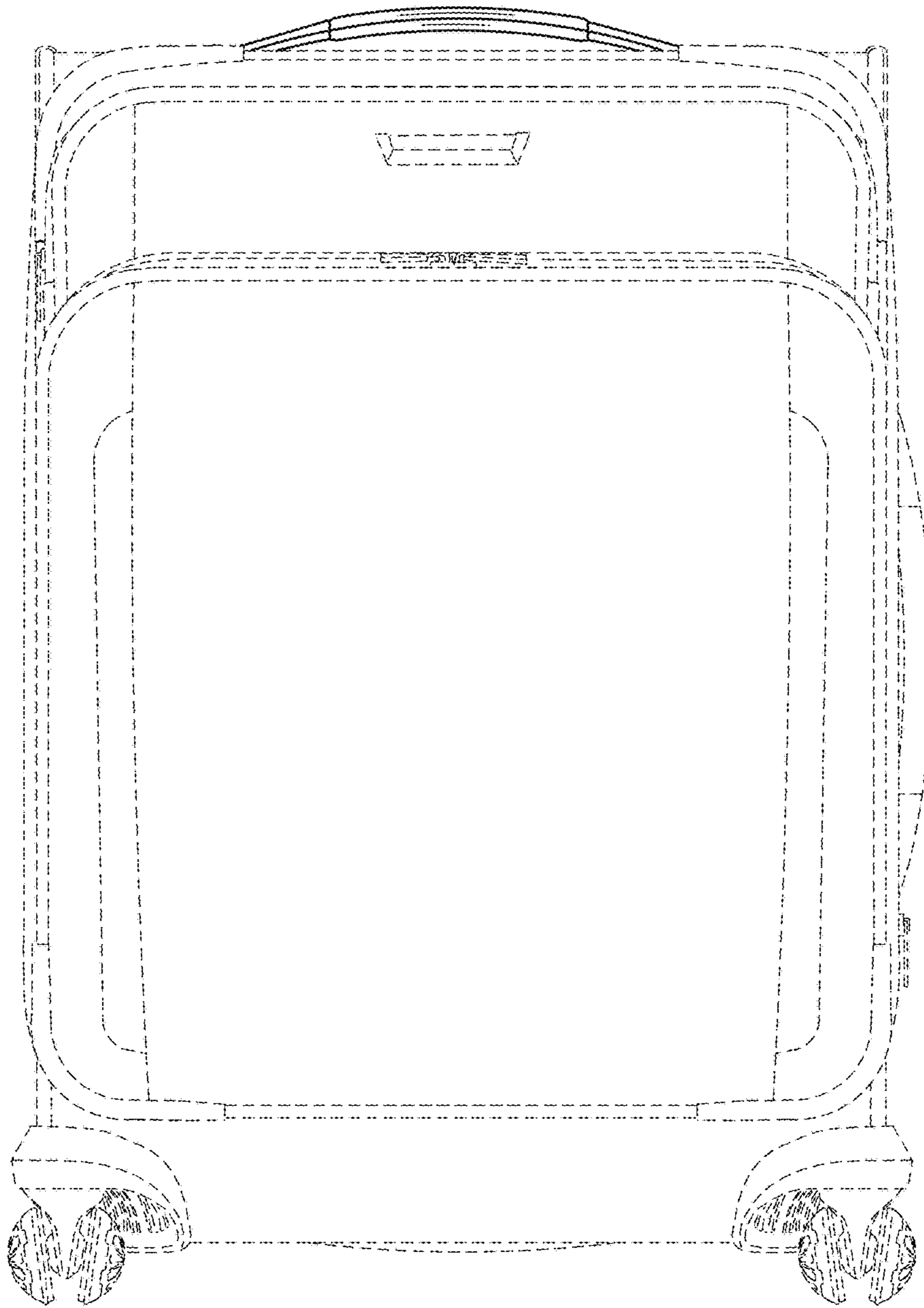


FIG. 2

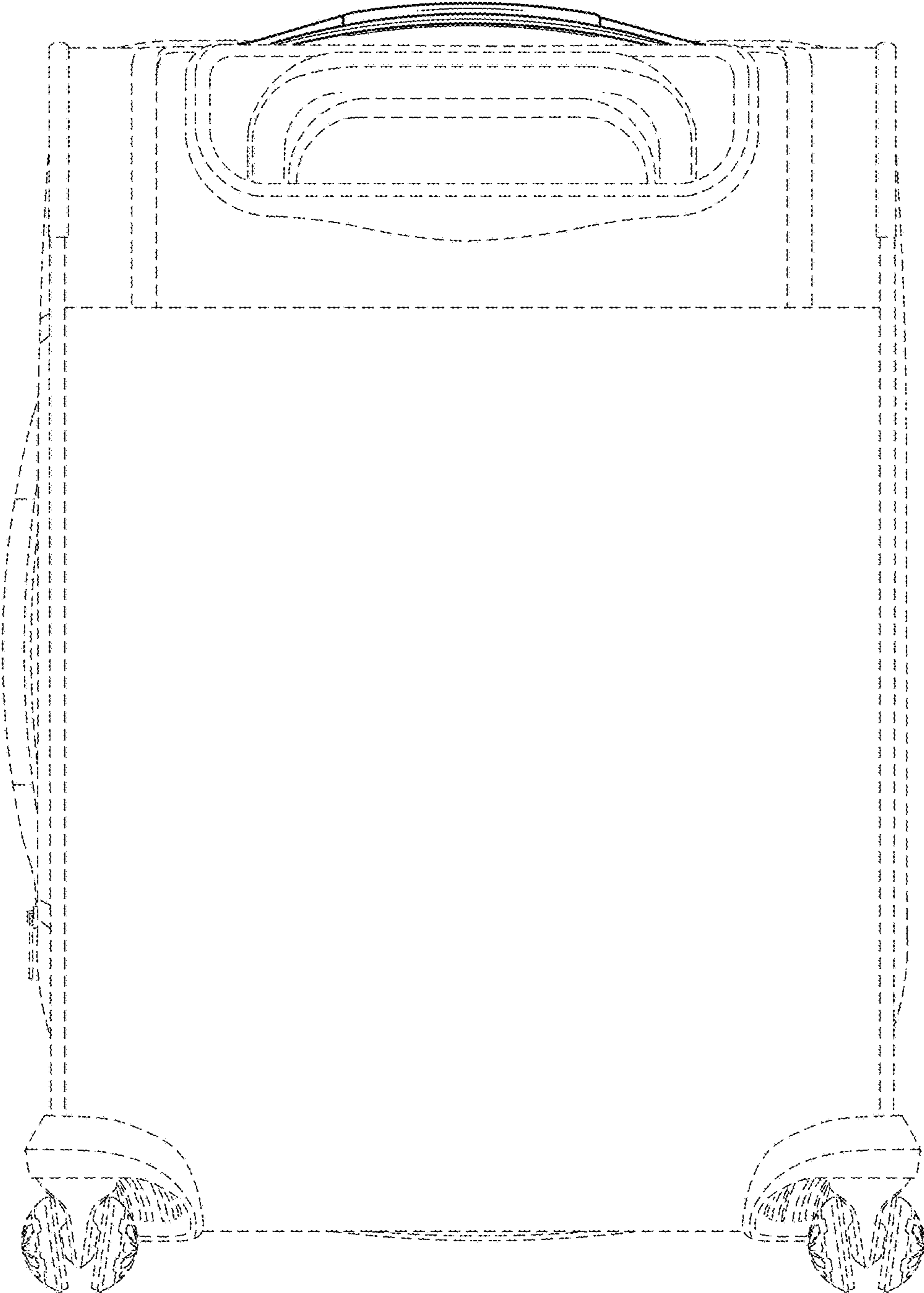


FIG. 3

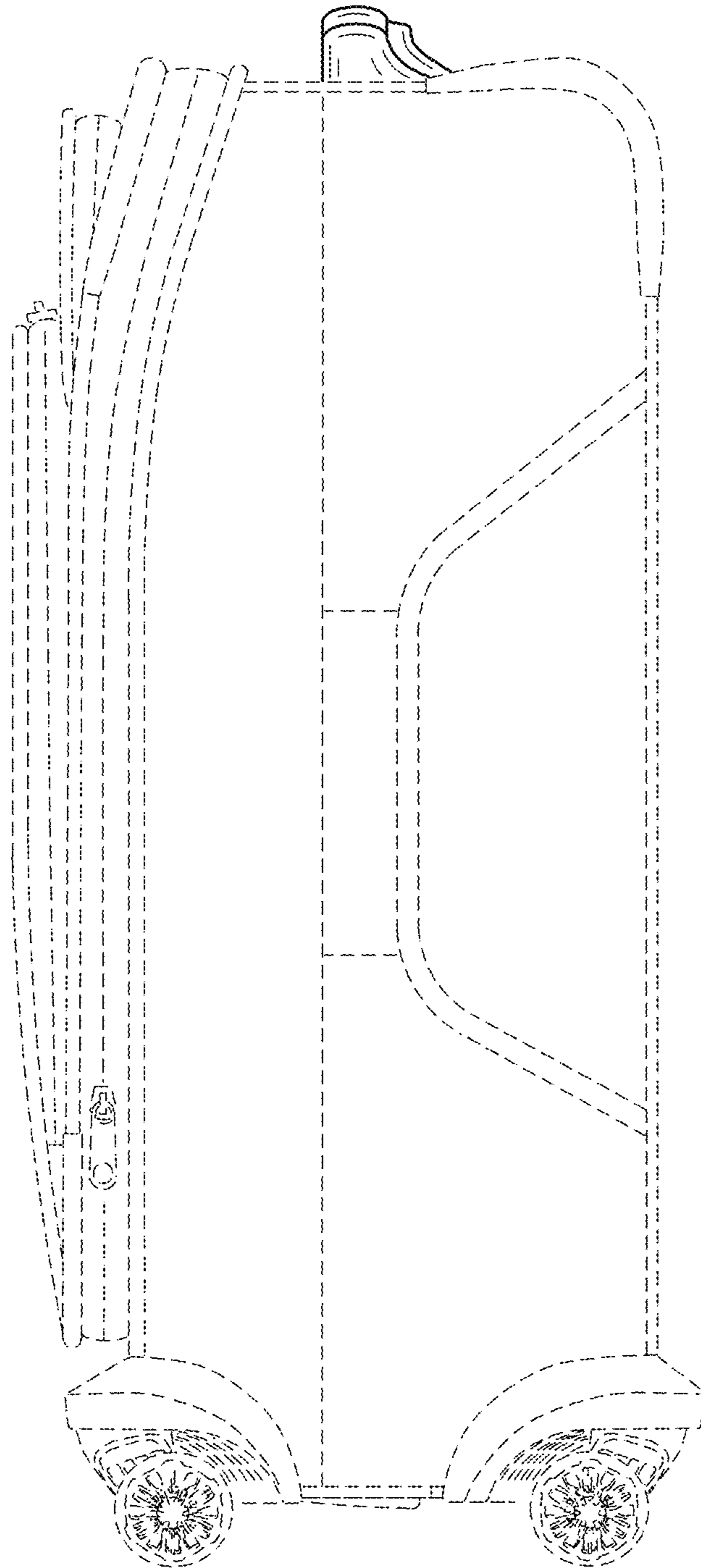


FIG. 4



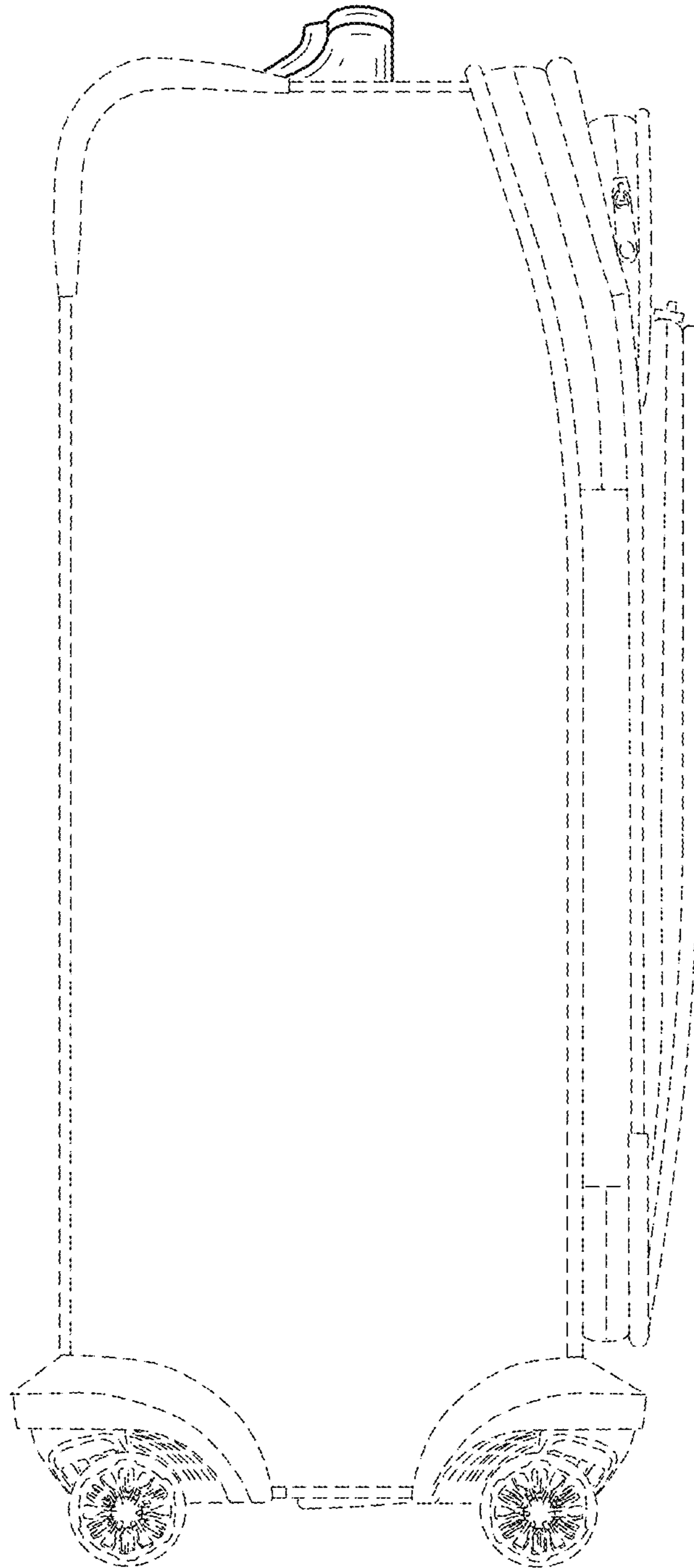


FIG. 5

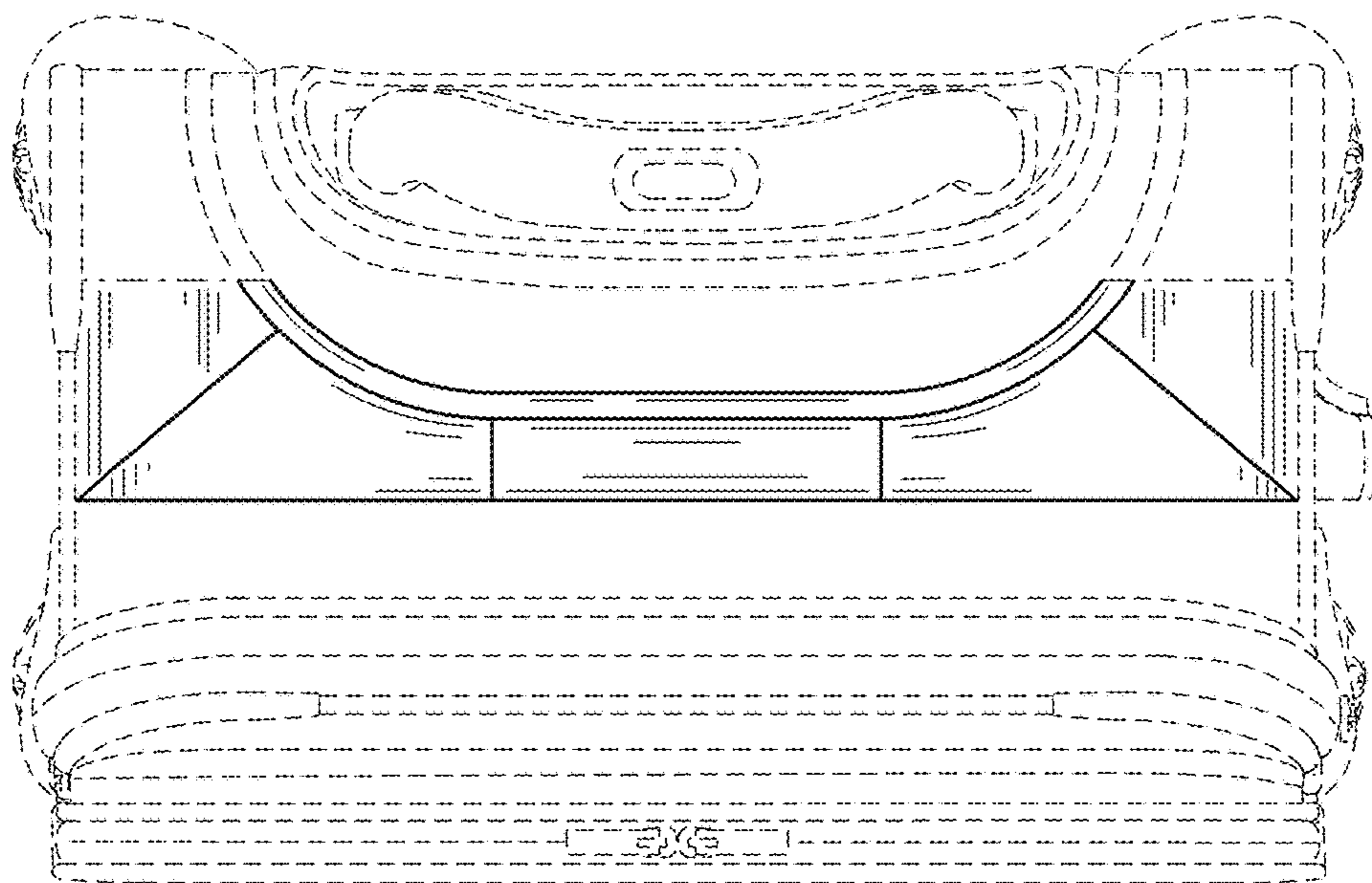


FIG. 6

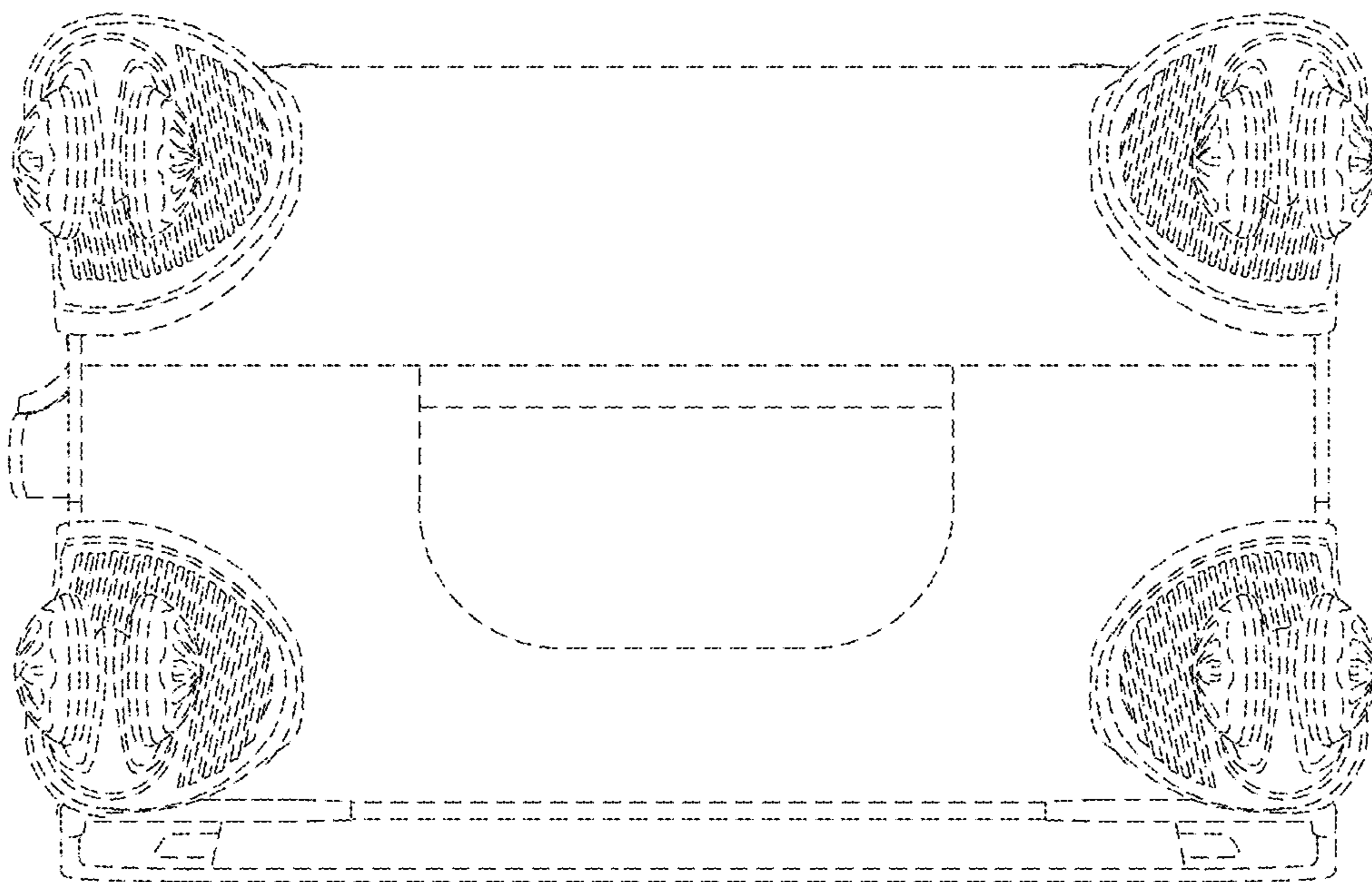


FIG. 7