



US00D828032S

(12) **United States Design Patent**
Brundage

(10) **Patent No.:** **US D828,032 S**

(45) **Date of Patent:** **** Sep. 11, 2018**

(54) **FITNESS AND TRAVEL POUCH**

(71) Applicant: **Brenda Brundage**, Ogden, UT (US)

(72) Inventor: **Brenda Brundage**, Ogden, UT (US)

(**) Term: **15 Years**

(21) Appl. No.: **29/540,455**

(22) Filed: **Sep. 24, 2015**

Related U.S. Application Data

(63) Continuation-in-part of application No. 29/535,346, filed on Aug. 5, 2015, which is a continuation of application No. 14/250,285, filed on Apr. 10, 2014, which is a continuation of application No. 13/109,789, filed on May 17, 2011.

(51) **LOC (11) Cl.** **03-01**

(52) **U.S. Cl.**
USPC **D3/303**

(58) **Field of Classification Search**

USPC D3/228, 224, 215, 221, 269, 299, 273,
D3/276, 289, 293, 290, 301, 303, 318,
D3/319; D9/702, 703, 705, 707, 709,
D9/710, 433, 901

CPC A47C 7/62; A47C 1/14
See application file for complete search history.

(56) **References Cited**

U.S. PATENT DOCUMENTS

315,303 A	4/1885	Lambert
2,861,735 A	11/1958	Faltin
2,961,735 A	11/1960	Mohring
3,051,130 A	8/1962	Morris
3,741,376 A	6/1973	Brown et al.
4,602,390 A	7/1986	Morera et al.
4,815,510 A	3/1989	Edelist
D307,826 S	5/1990	Makrauer
5,207,254 A	5/1993	Fromm
D363,603 S	10/1995	Leveen
D384,808 S	10/1997	Carretta

(Continued)

OTHER PUBLICATIONS

U.S. Appl. No. 14/250,285, Jul. 29, 2016, Office Action.

(Continued)

Primary Examiner — Sandra S Snapp

Assistant Examiner — Holly E Thurman

(74) *Attorney, Agent, or Firm* — Workman Nydegger

(57) **CLAIM**

The ornamental design for a fitness and travel pouch, as shown and described.

DESCRIPTION

FIG. 1 is a back perspective view of the fitness and travel pouch;

FIG. 2 is a front perspective view of the fitness and travel pouch, as shown in FIG. 1;

FIG. 3 is a front open view of the fitness and travel pouch, as shown in FIG. 2;

FIG. 4 is a back open view of the fitness and travel pouch, as shown in FIG. 1;

FIG. 5 is a back closed view of the fitness and travel pouch, as shown in FIG. 2;

FIG. 6 is a front closed view of the fitness and travel pouch, as shown in FIG. 1;

FIG. 7 is a top view of the fitness and travel pouch, as shown in FIG. 2;

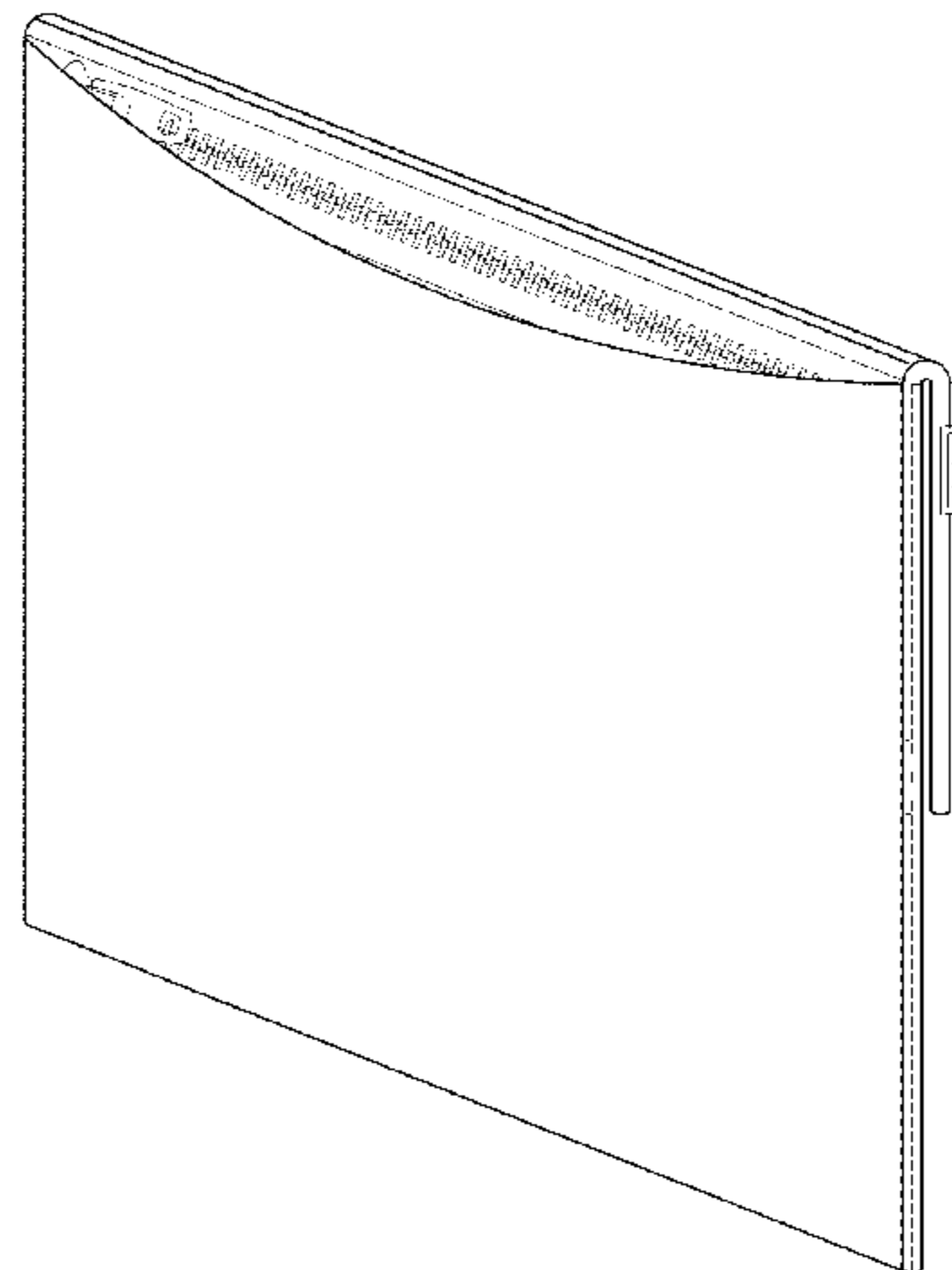
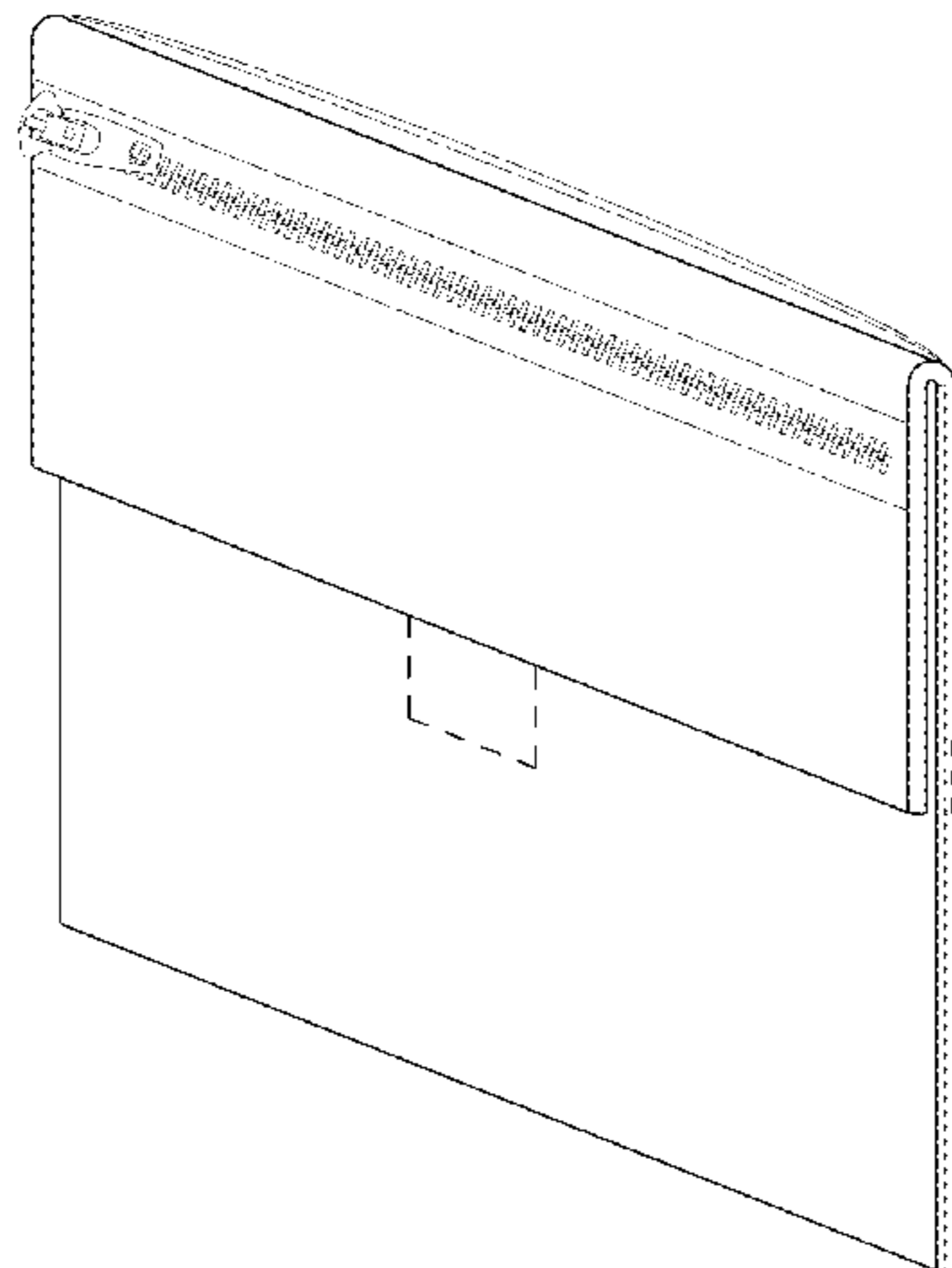
FIG. 8 is a bottom view of the fitness and travel pouch, as shown in FIG. 2;

FIG. 9 is a right side elevational view of the fitness and travel pouch, as shown in FIG. 2; and,

FIG. 10 is a left side elevational view of the fitness and travel pouch, as shown in FIG. 2.

The broken lines in the figures are included for the purpose of illustrating environmental subject matter and form no part of the claimed design.

1 Claim, 6 Drawing Sheets



(56)

References Cited

U.S. PATENT DOCUMENTS

5,893,504 A 4/1999 Baronian et al.
 6,004,033 A 12/1999 Cirone
 6,035,449 A 3/2000 Galler et al.
 D422,210 S 4/2000 Sturkie
 D430,534 S 9/2000 Golenz
 6,209,769 B1 4/2001 Seals et al.
 6,643,845 B2 11/2003 O’Dea et al.
 D485,982 S 2/2004 Merkel et al.
 6,691,321 B1 2/2004 Matut
 D522,750 S * 6/2006 Girod D3/303
 D531,407 S 11/2006 Montague
 D533,718 S 12/2006 Goldberg
 D547,674 S 7/2007 Donovan
 D572,006 S 7/2008 Preston
 D589,702 S 4/2009 Hale
 D590,440 S 4/2009 Taute
 7,621,001 B2 11/2009 Ebihara
 D622,957 S * 9/2010 Marshall D3/247
 D630,016 S 1/2011 Rutjes
 D651,800 S * 1/2012 Scott D3/303
 D659,394 S * 5/2012 Hebert D3/247
 D661,349 S * 6/2012 Picard D19/3
 D664,195 S * 7/2012 Rosenthal D19/1
 D666,416 S * 9/2012 Haywood D3/299
 D679,499 S 4/2013 Harris
 D679,588 S 4/2013 Martini
 D681,729 S * 5/2013 Glass D19/3
 D706,537 S * 6/2014 Brandt D3/247
 D707,967 S * 7/2014 Spallone D3/303

D712,659 S 9/2014 Hays
 D713,644 S * 9/2014 Johnson D3/303
 D714,050 S * 9/2014 Crabtree D3/247
 D716,048 S * 10/2014 Bradfield D3/303
 D739,143 S 9/2015 Eskandry
 D741,598 S 10/2015 Calero
 D753,398 S 4/2016 Arami
 D782,190 S 3/2017 Bauer
 2004/0020959 A1 2/2004 Sellars
 2006/0260049 A1 11/2006 Wenz
 2009/0095751 A1 4/2009 Hamlin et al.
 2009/0208148 A1 8/2009 Doyle
 2009/0285509 A1 11/2009 Giaquinto
 2010/0206918 A1 8/2010 Johnson
 2010/0252598 A1 10/2010 Cragg
 2011/0127283 A1 6/2011 Delucia
 2011/0280499 A1 11/2011 Brundage
 2014/0212069 A1 7/2014 Brundage

OTHER PUBLICATIONS

U.S. Appl. No. 13/109,789, Apr. 7, 2017, Office Action.
 U.S. Appl. No. 29/535,346, filed Aug. 5, 2015, Brundage.
 U.S. Appl. No. 13/109,789, Dec. 19, 2012, Office Action.
 U.S. Appl. No. 13/109,789, Aug. 30, 2013, Final Office Action.
 U.S. Appl. No. 14/250,285, Oct. 27, 2015, Office Action.
 U.S. Appl. No. 29/535,346, Jun. 2, 2017, Restriction Requirement.
 U.S. Appl. No. 13/109,789, Nov. 3, 2017, Final Office Action.
 U.S. Appl. No. 29/535,346, Jan. 5, 2018, Office Action.

* cited by examiner

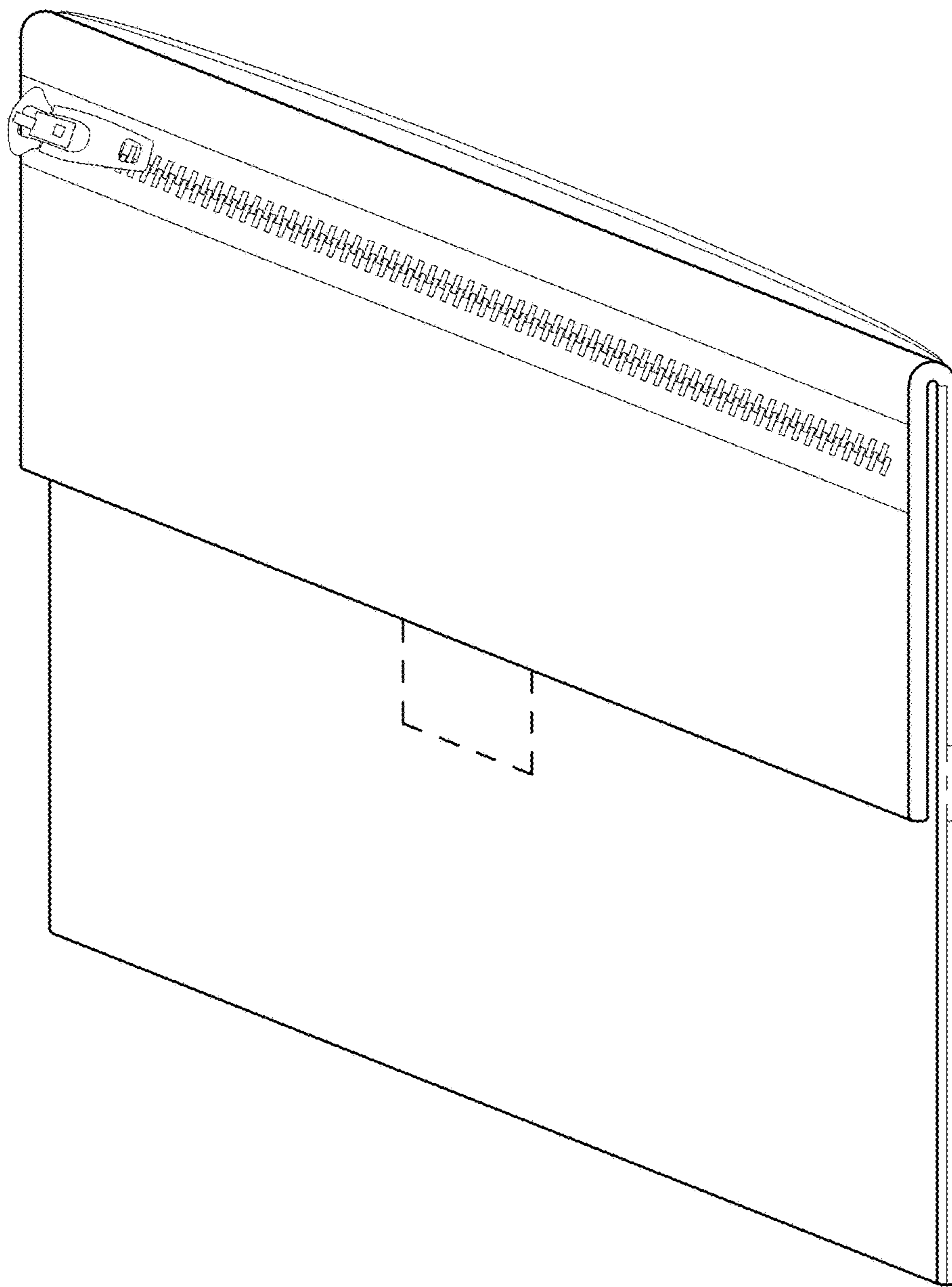


FIG. 1

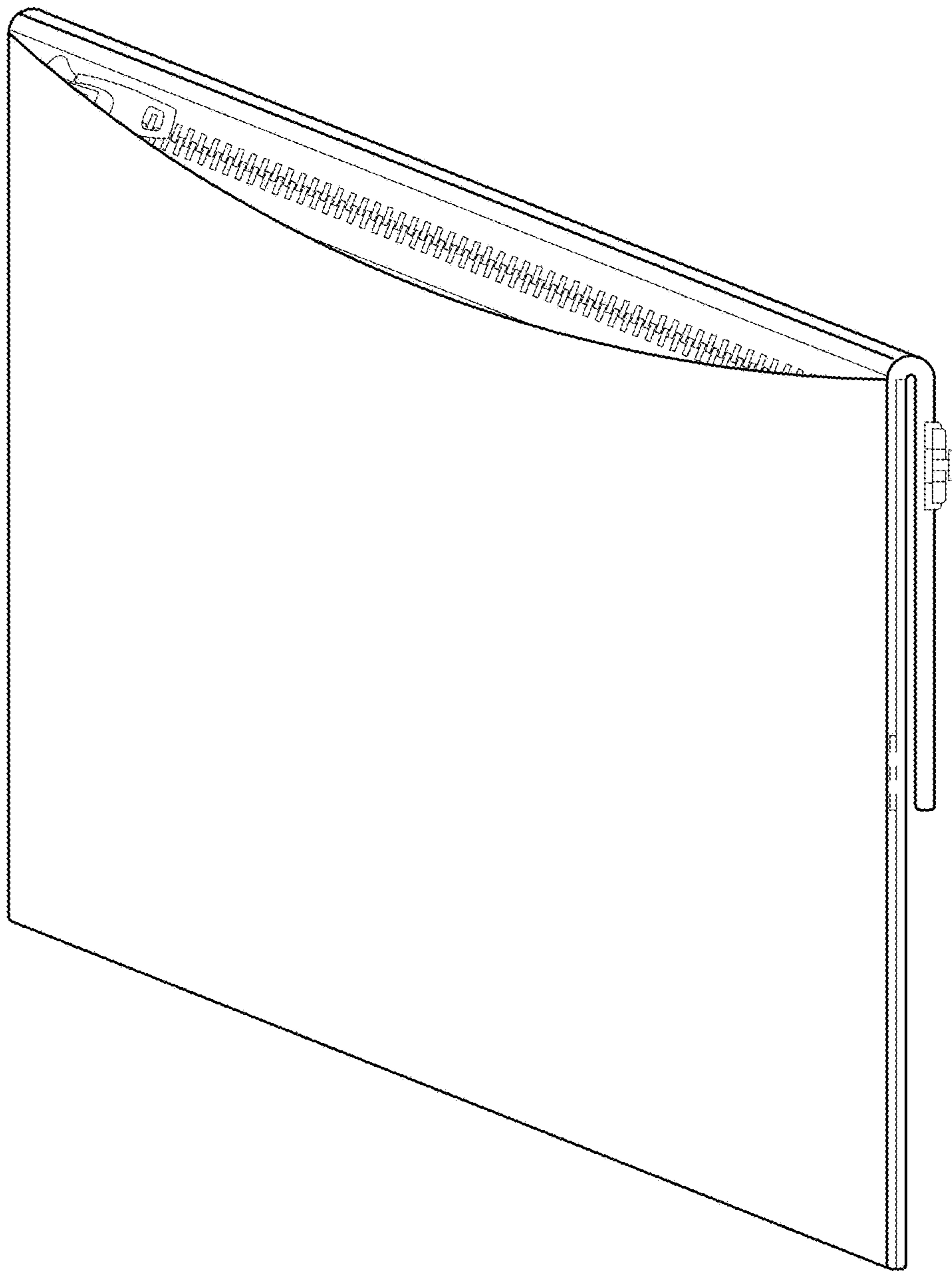


FIG. 2

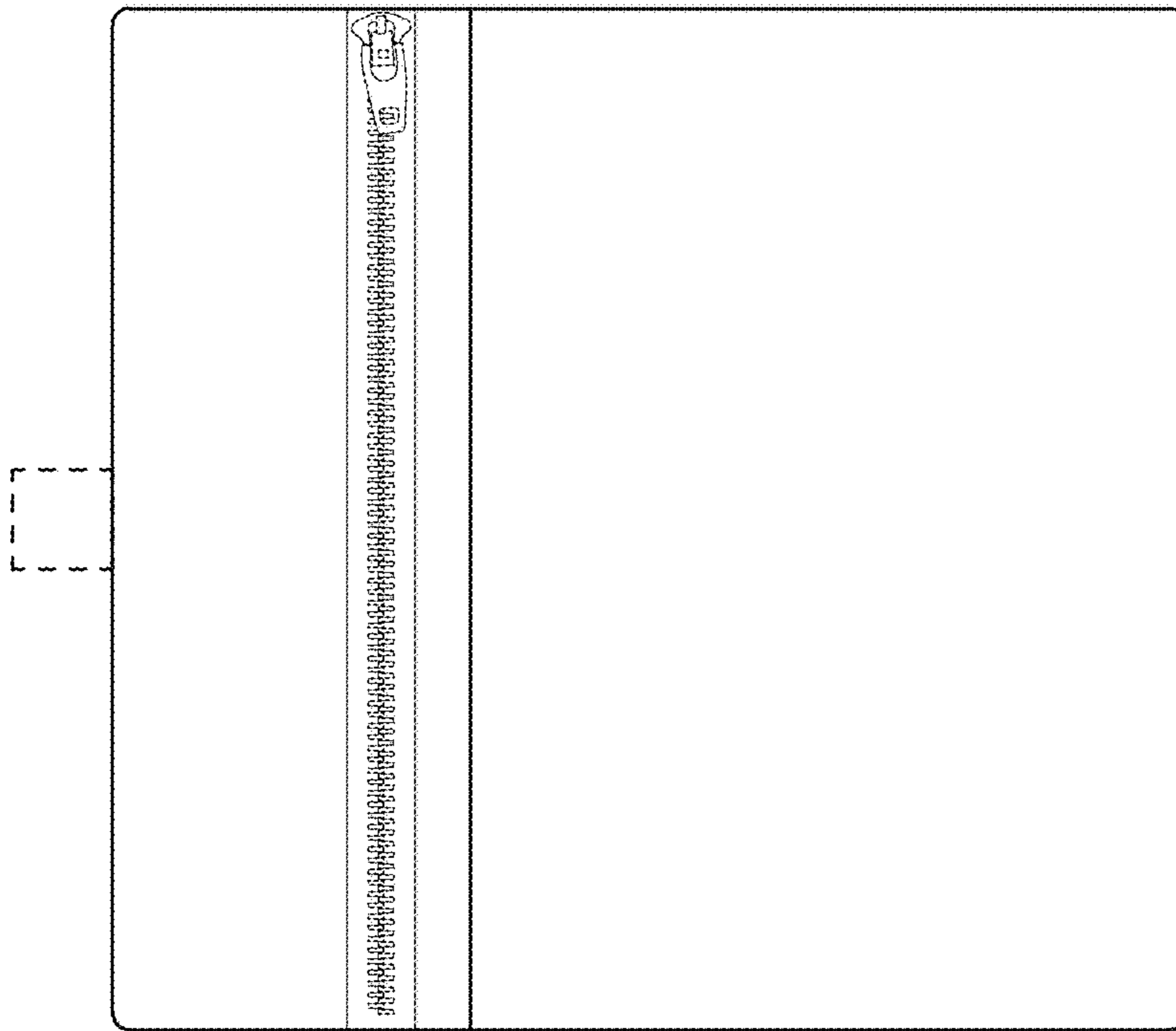


FIG. 3

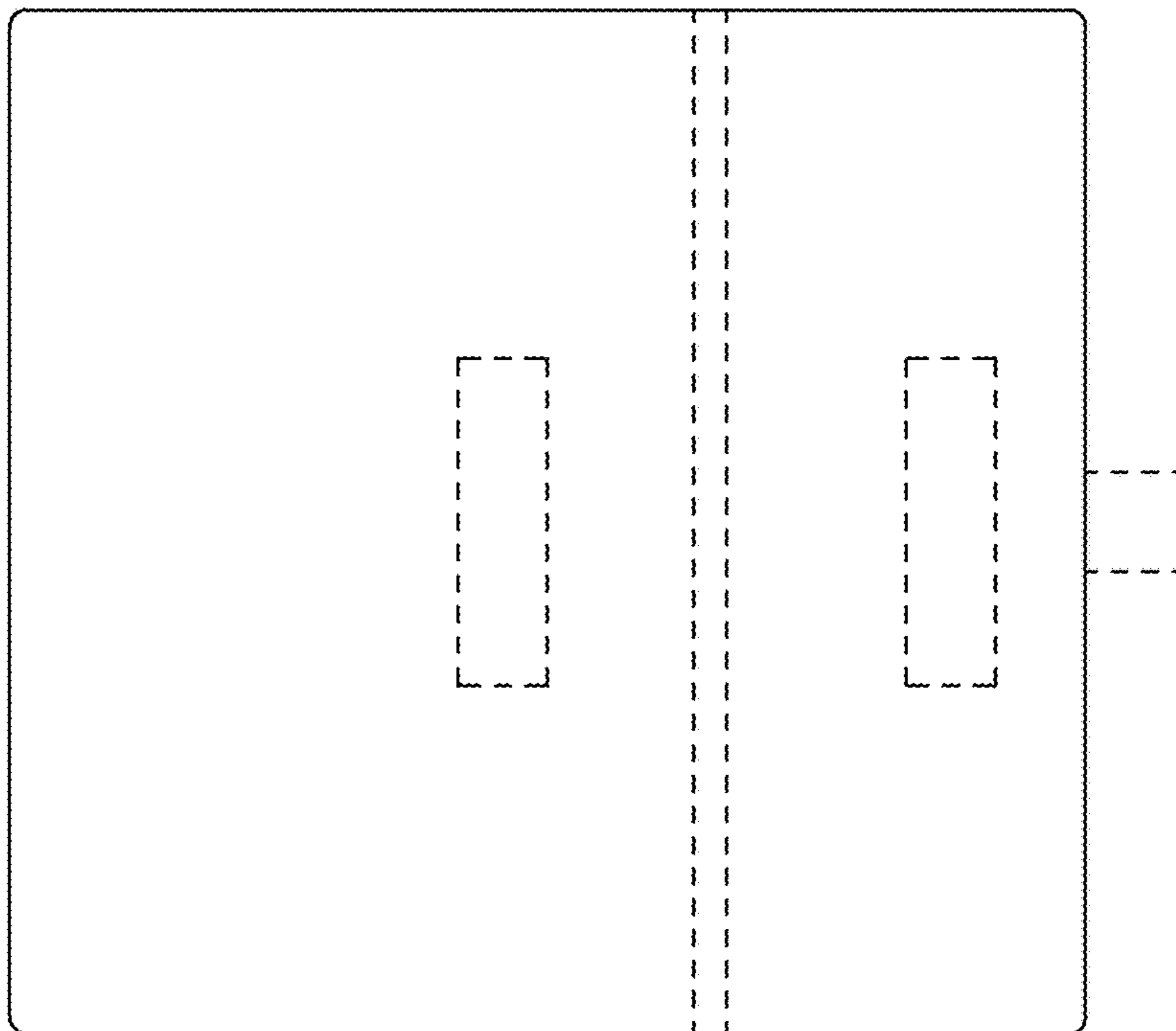


FIG. 4

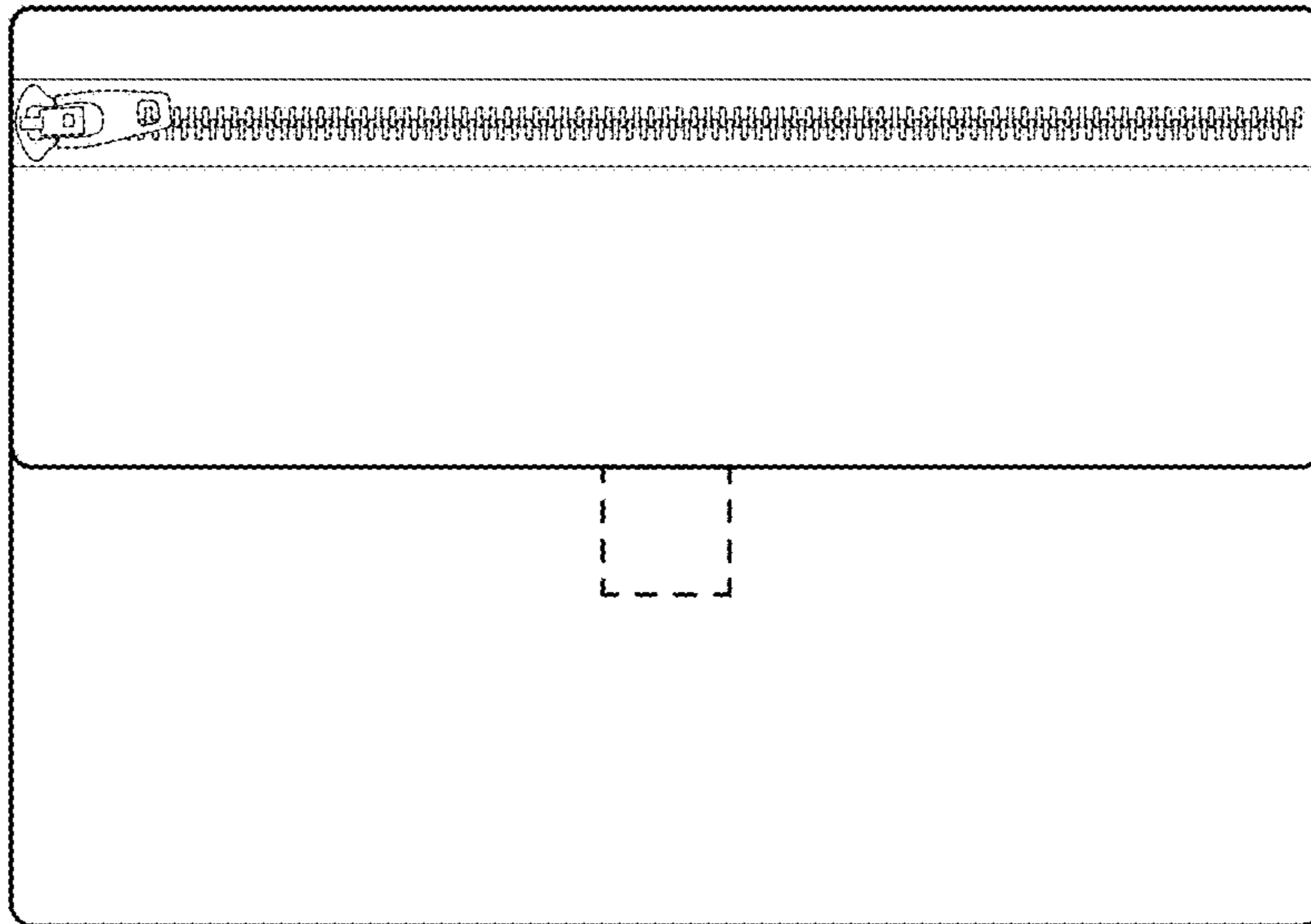


FIG. 5

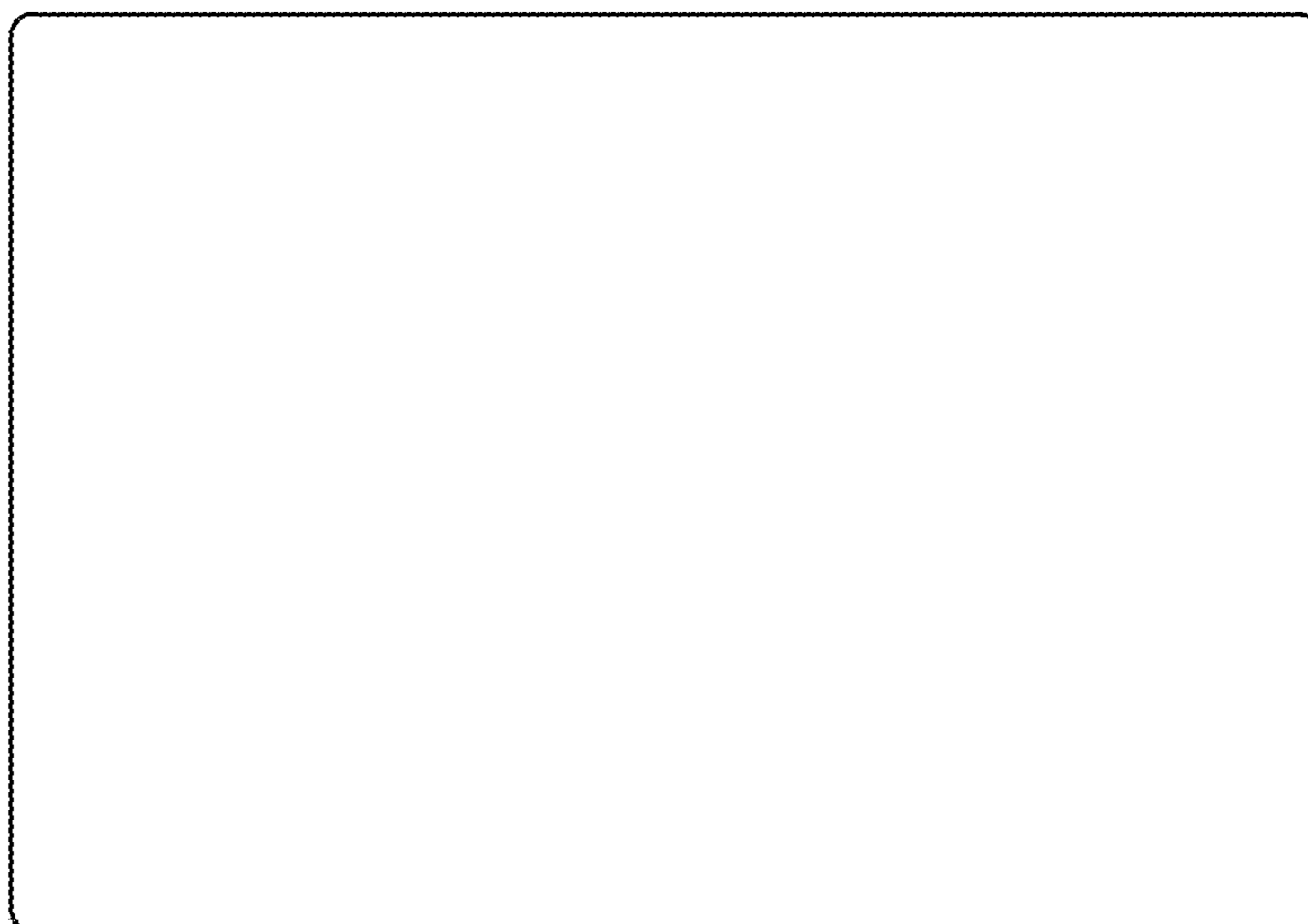


FIG. 6

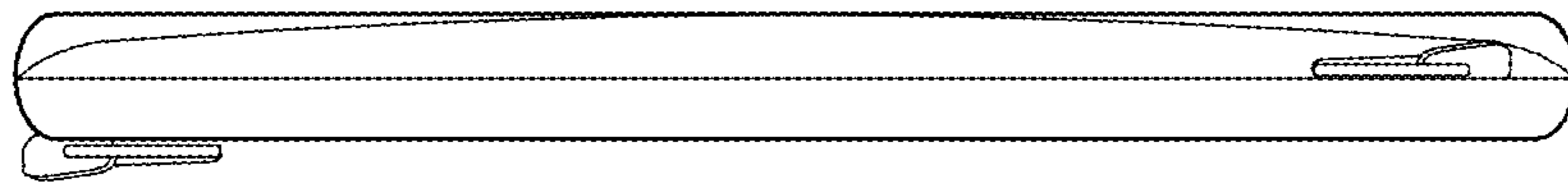


FIG. 7

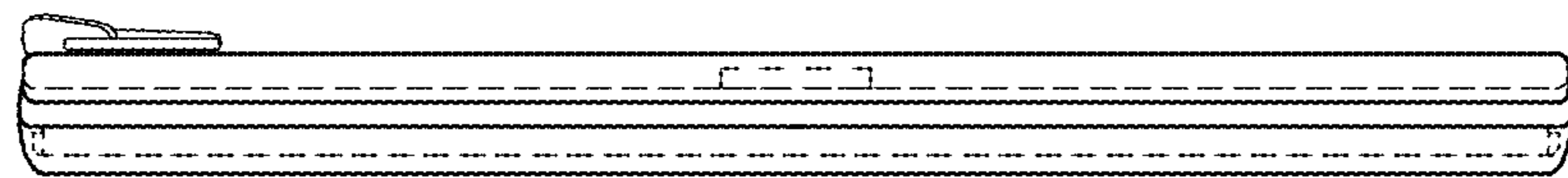


FIG. 8



FIG. 9



FIG. 10