



US00D828031S

(12) **United States Design Patent** (10) **Patent No.:** **US D828,031 S**
Bloomfield et al. (45) **Date of Patent:** **** Sep. 11, 2018**

(54) **TOY CONTAINER**
(71) Applicant: **MGA Entertainment, Inc.**, Van Nuys, CA (US)

D474,021 S * 5/2003 Lenaerts D3/273
D493,284 S * 7/2004 Lee D3/276
D523,637 S * 6/2006 Chang D3/315
D525,532 S 7/2006 Glass
D543,453 S * 5/2007 Fu D21/392

(Continued)

(72) Inventors: **Kevin Bloomfield**, Castaic, CA (US);
Alejandro G. Keossian, Granada Hills, CA (US)

FOREIGN PATENT DOCUMENTS

(73) Assignee: **MGA Entertainment, Inc.**, Van Nuys, CA (US)

CA 95760 3/2003
CN 201130445677 5/2012
CN 205369996 U 7/2016

(**) Term: **15 Years**

OTHER PUBLICATIONS

(21) Appl. No.: **29/627,255**

Crafty Minimeg, "Box Making with Steve Pittelkow", Posted Aug. 22, 2013. (<http://craftyminimeg.blogspot.com/2013/08/box-making-with-steve-pittelkow.html>).*

(22) Filed: **Nov. 24, 2017**

(Continued)

(51) **LOC (11) Cl.** **03-01**

(52) **U.S. Cl.**
USPC **D3/302**; D9/738

Primary Examiner — Jennifer Rivard

Assistant Examiner — April Rivas

(58) **Field of Classification Search**
USPC D3/203.2, 273, 274, 294, 302, 901, 903;
D28/85, 91, 76; D6/678; D9/745, 744,
D9/738

(74) *Attorney, Agent, or Firm* — Intellectual Property Law Offices of Joel Voelzke, APC

CPC ... B65D 21/0213; B65D 21/083; B65D 21/00
See application file for complete search history.

(57) **CLAIM**

The ornamental design for a toy container, as shown and described.

(56) **References Cited**

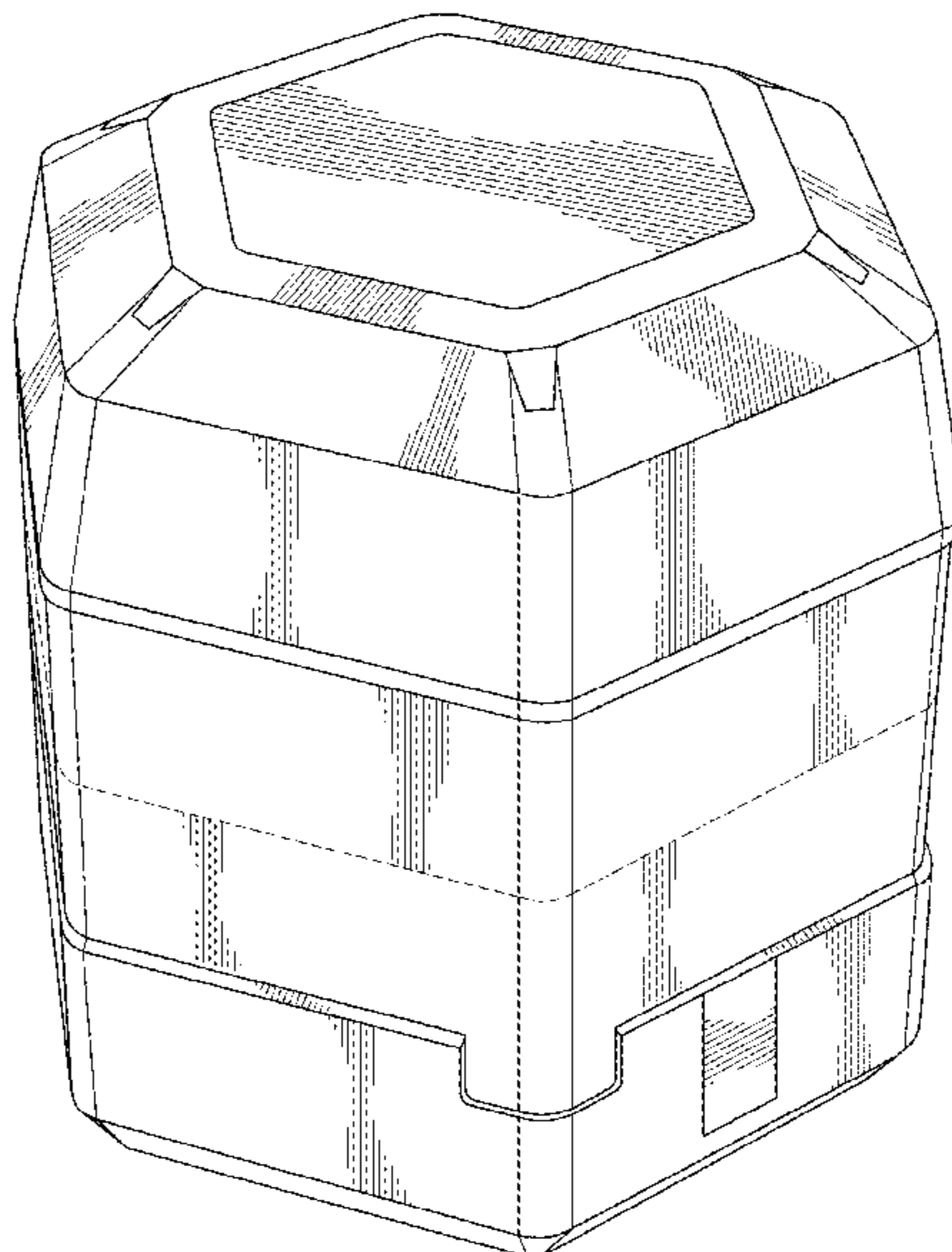
DESCRIPTION

U.S. PATENT DOCUMENTS

2,715,509 A * 8/1955 Paige A47F 5/112
211/126.1
4,799,590 A 1/1989 Furman
D328,201 S * 7/1992 Ryaa D18/43
D353,167 S * 12/1994 Callf D21/348
5,503,288 A * 4/1996 Conconi B65D 21/0204
220/23.4
D399,738 S * 10/1998 B-Jensen D3/302
D429,429 S * 8/2000 Murphy D6/678
D443,760 S * 6/2001 DeGrandpre D3/272
D471,010 S * 3/2003 Wolf D3/294

FIG. 1 is an front, top, right oblique view of a toy container showing our new design;
FIG. 2 is a front elevation view thereof;
FIG. 3 is a rear elevation view thereof;
FIG. 4 is a side elevation view thereof, showing the left side;
FIG. 5 is side elevation view thereof, showing the right side;
FIG. 6 is a top plan view thereof; and,
FIG. 7 is a bottom plan view thereof.
A separation line is shown in a broken line for illustration purposes only and forms no part of the claimed design.

1 Claim, 6 Drawing Sheets



(56)

References Cited

U.S. PATENT DOCUMENTS

D607,153	S	*	12/2009	Campbell	D28/76
8,011,509	B1	*	9/2011	Sakamaki	G07F 17/3297 206/457
D650,174	S	*	12/2011	Ahlstrom	D3/302
8,240,547	B2	*	8/2012	Stow, III	B65D 75/225 206/776
D668,457	S	*	10/2012	Mimlitch, III	D3/294
D672,645	S	*	12/2012	Giannini	D9/430
D679,148	S	*	4/2013	Schwartz	D7/629
D682,678	S	*	5/2013	Kim	D9/431
D685,578	S	*	7/2013	Pestell	D3/294
9,120,594	B2		9/2015	Huang et al.		
D756,037	S	*	5/2016	Schlatter	D28/85
D772,055	S	*	11/2016	O'Dowd	D9/430
D786,668	S	*	5/2017	Cornaglia	D9/418
D795,384	S		8/2017	Kent		
2014/0346168	A1	*	11/2014	Wang	B65D 21/0213 220/23.83

OTHER PUBLICATIONS

“Hex 45 Gallon Trash Container,” retrieved from www.trashcanswarehouse.com on Nov. 23, 2017.

“Antique Brass Eastern Small Casket with Inlaid Wooden Lining, Islamic Script,” retrieved from www.ebay.com on Nov. 23, 2017.

“Rotating Bur & Tool Caddy Stand—Hexagona Design Wood Finish” retrieved from www.ajjewelery.com on Nov. 23, 2017.

Oriental Furniture Red Lacquire Five Drawer Octagonal Chest retrieved from www.amazon.com on Nov. 23, 2017.

“Hexagonal Stacking Boxes” retrieved from www.evilmadscientist.com on Nov. 23, 2017.

* cited by examiner

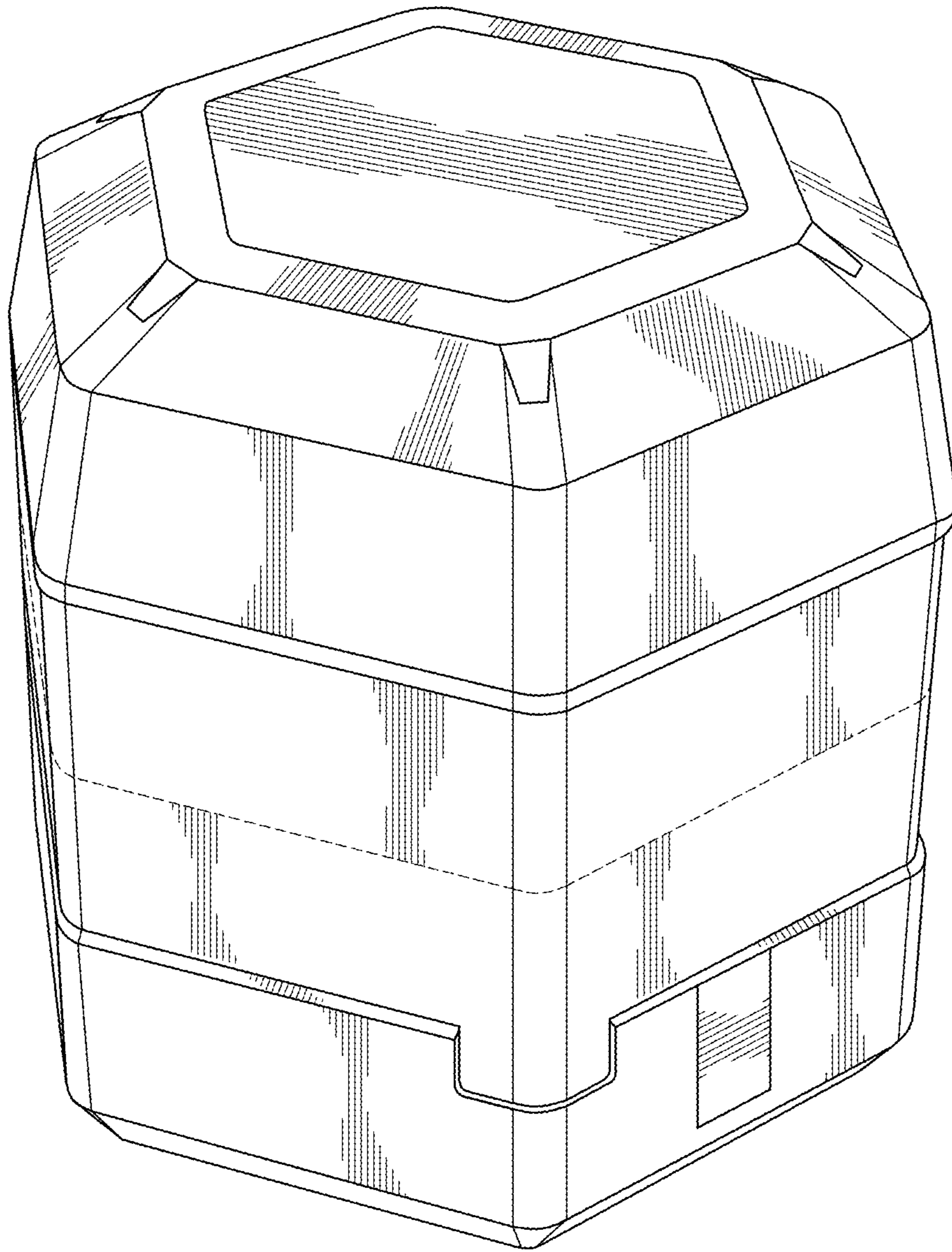


FIG. 1

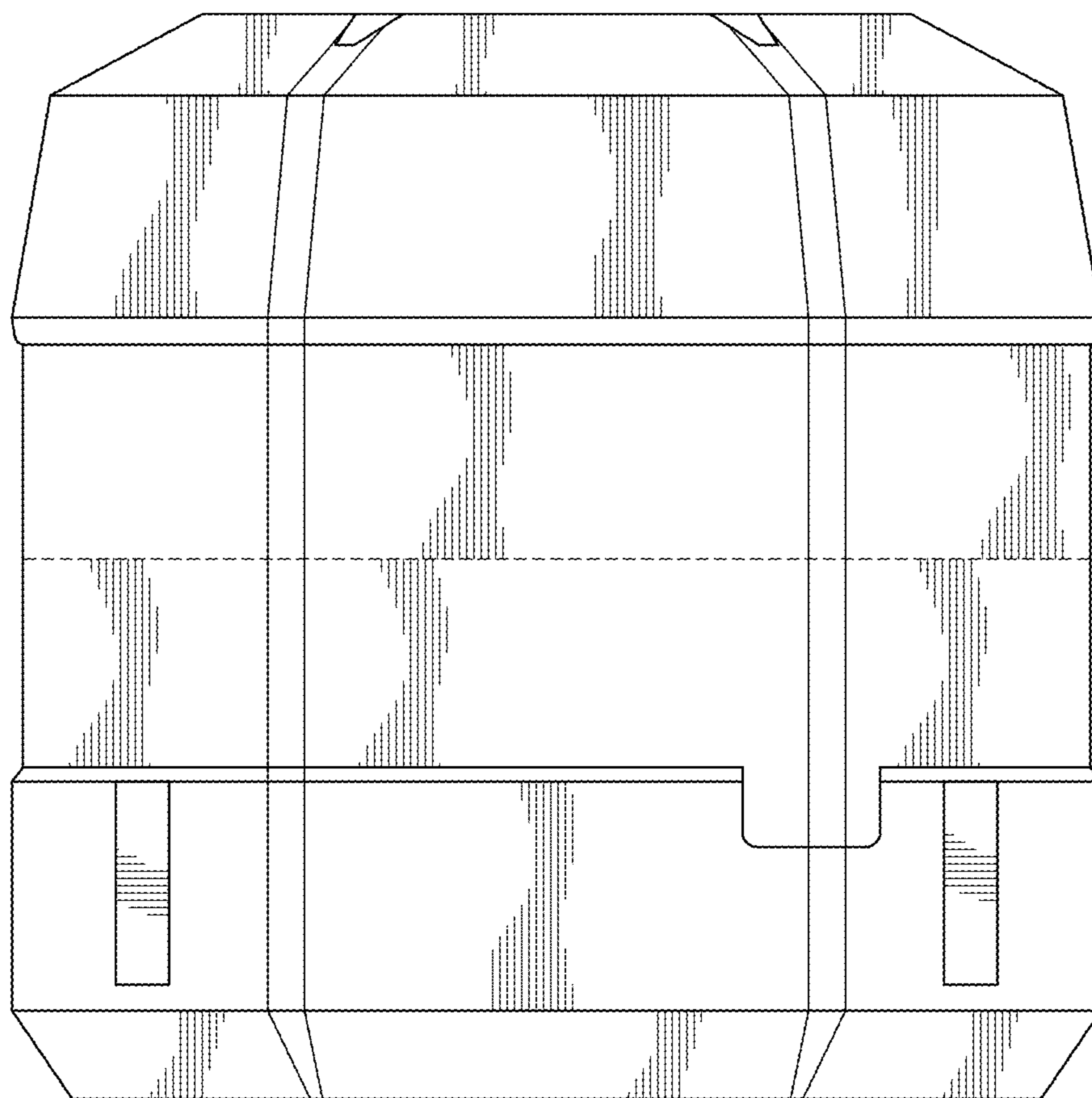


FIG. 2

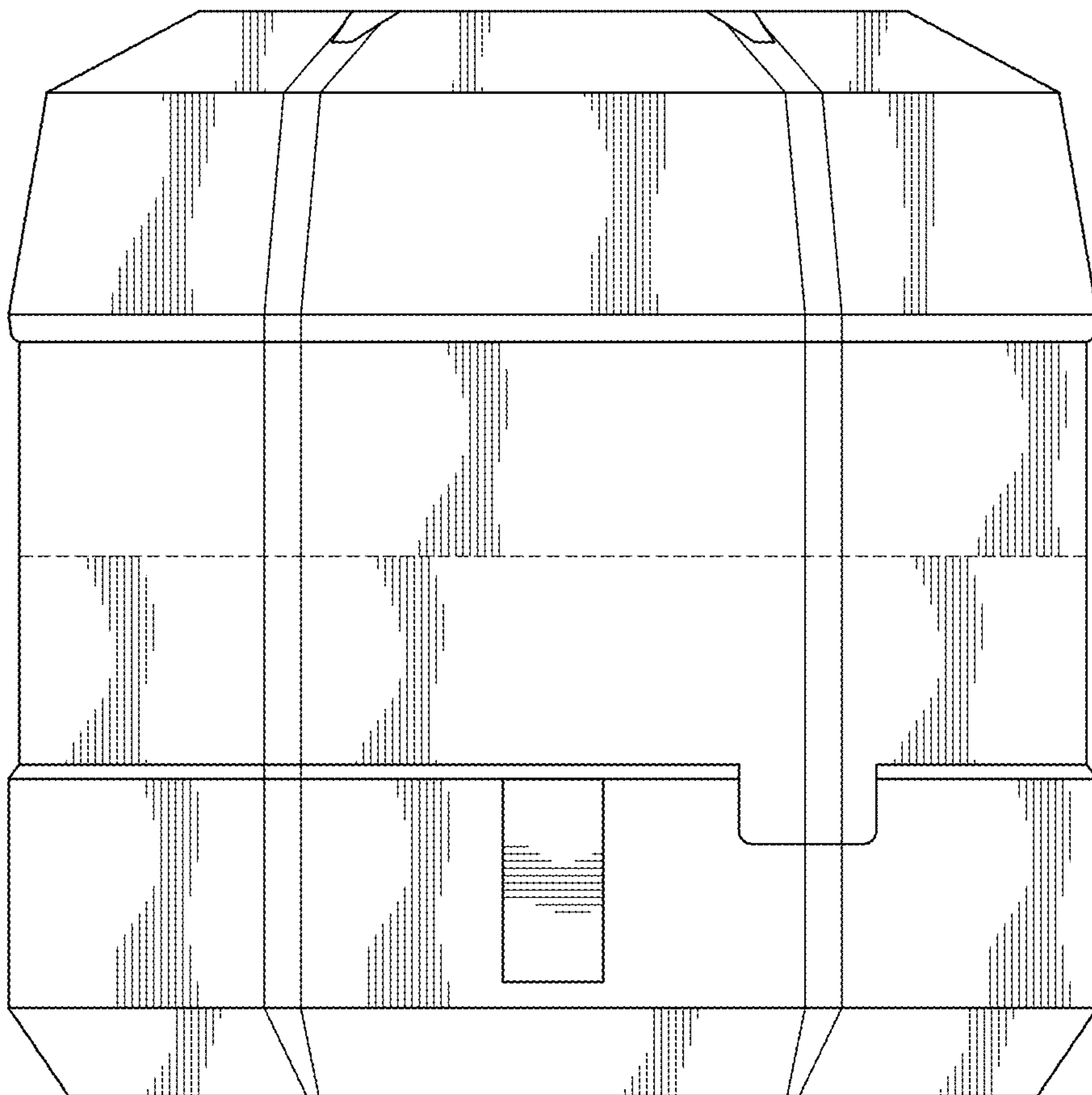


FIG. 3

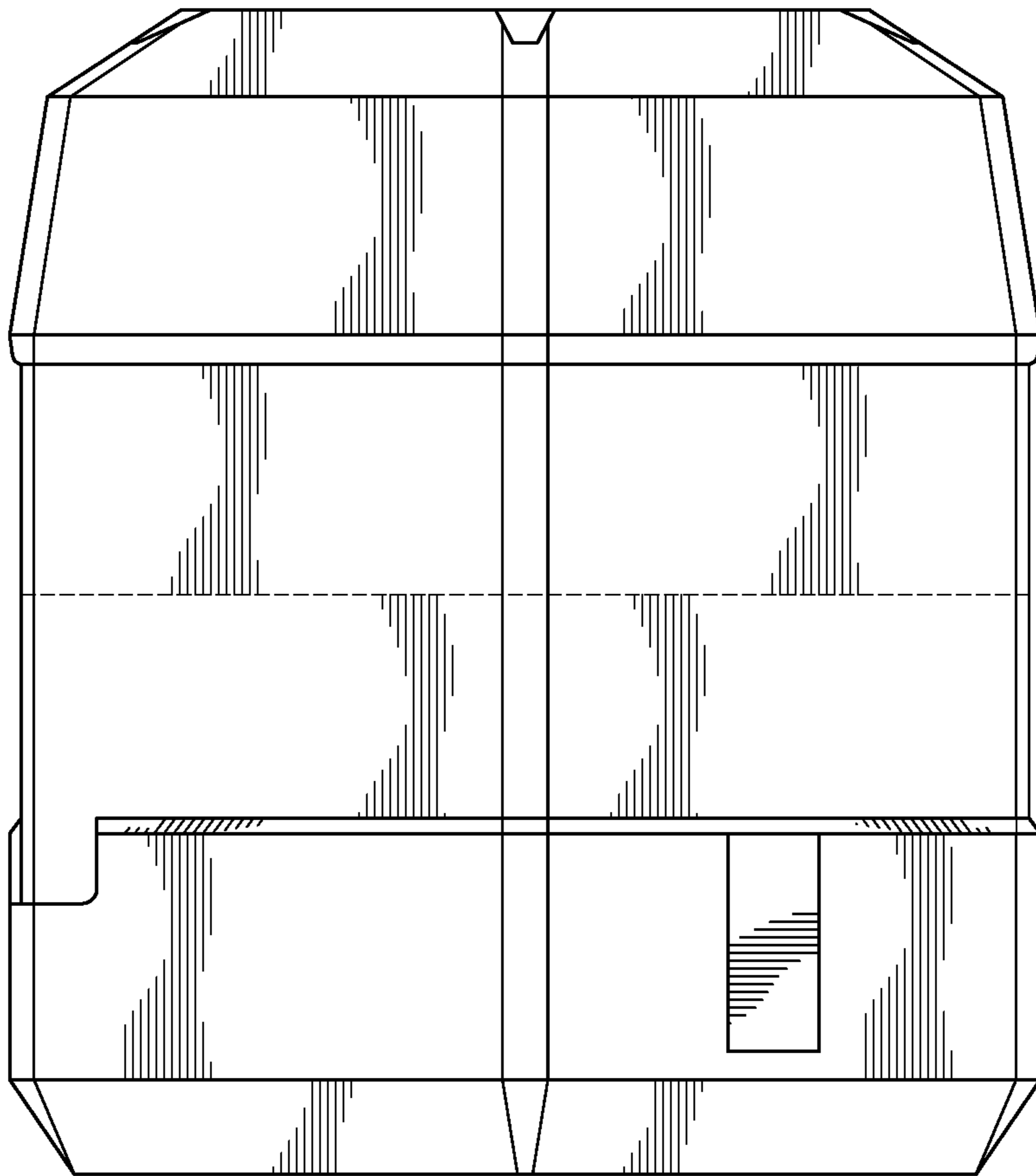


FIG. 4

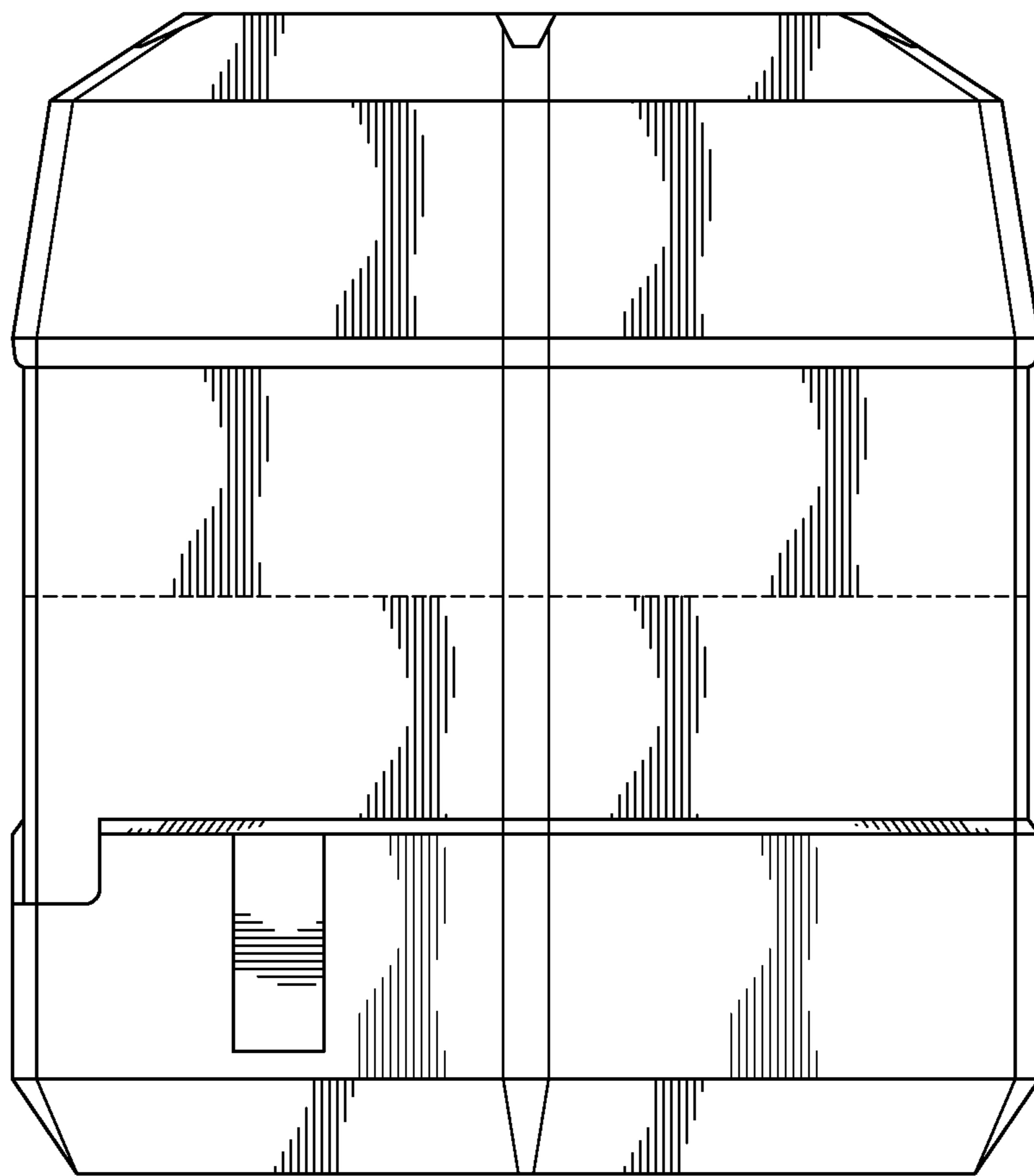


FIG. 5

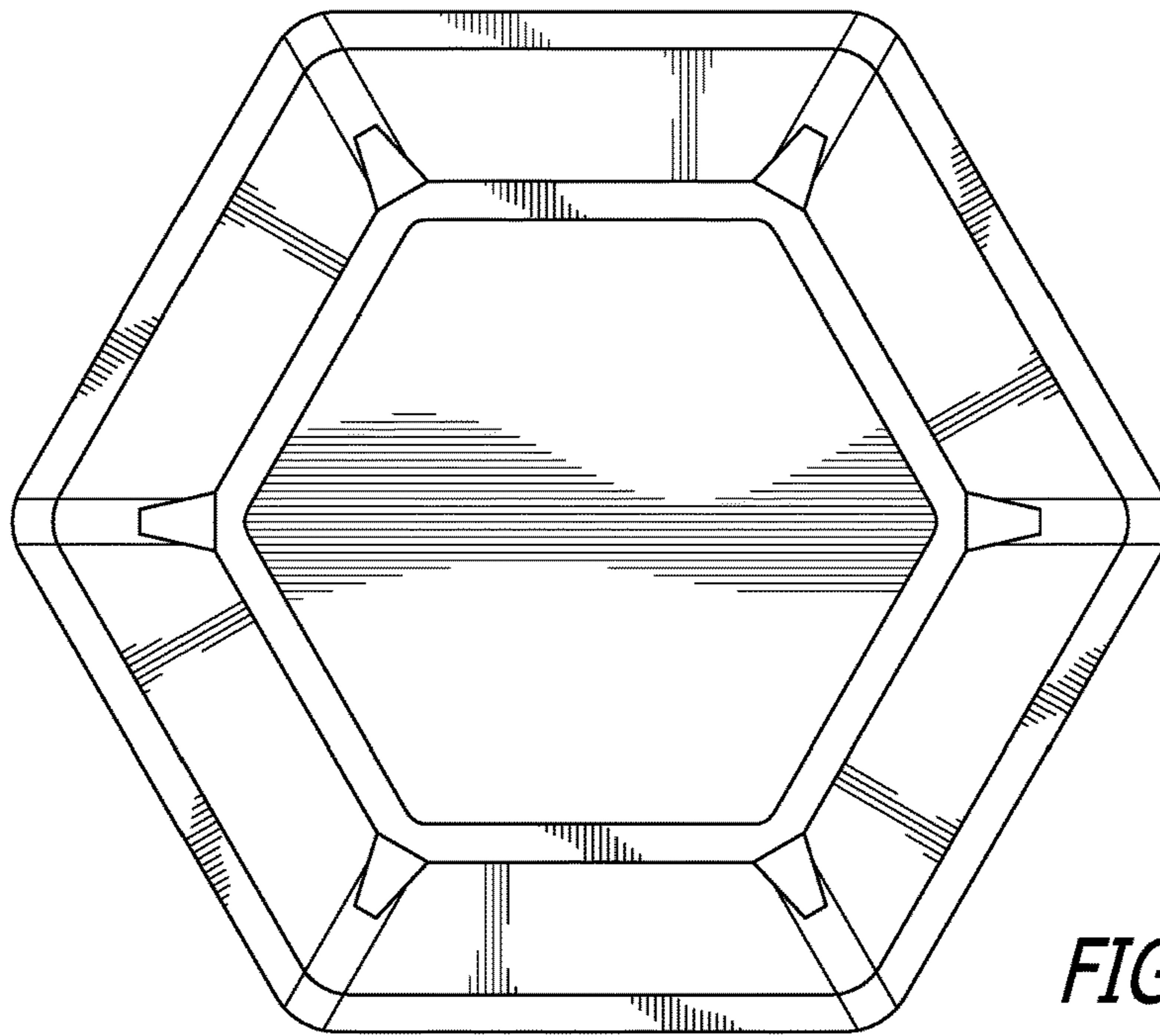


FIG. 6

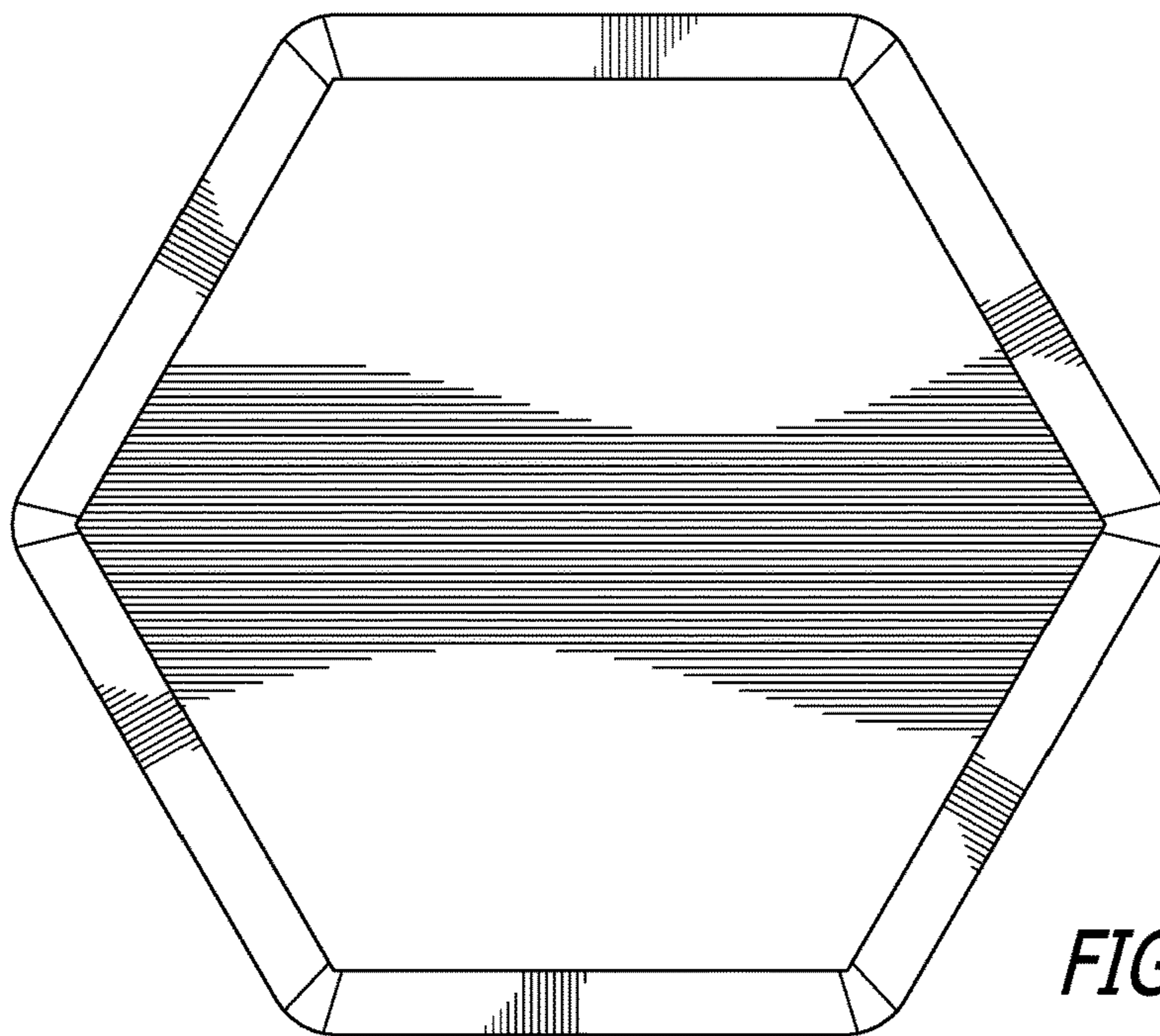


FIG. 7