



US00D828027S

(12) **United States Design Patent**  
**Chen**

(10) **Patent No.:** **US D828,027 S**

(45) **Date of Patent:** **\*\* Sep. 11, 2018**

(54) **UNDER-SEAT-SIZED TRAVEL BAG**

(71) Applicant: **Chenny W. Chen**, Miramar, FL (US)

(72) Inventor: **Chenny W. Chen**, Miramar, FL (US)

(\*\*) Term: **15 Years**

(21) Appl. No.: **29/573,894**

(22) Filed: **Aug. 10, 2016**

(51) **LOC (11) Cl.** ..... **03-01**

(52) **U.S. Cl.**

USPC ..... **D3/287; D3/289**

(58) **Field of Classification Search**

USPC ..... D3/203.6, 217, 218, 233, 249, 269, 274,  
D3/276, 279, 282, 284, 288, 289, 290,  
D3/900, 901, 902, 905, 313, 903, 272,  
D3/302, 261

CPC .. B65D 85/68; A45C 3/00; A45C 5/00; A45C  
2003/007; A45C 2003/008; A45C 5/03;  
A45C 5/04; A45C 7/0036; A45C  
2009/007; A45C 11/16; A45C 7/00; A45C  
7/0059; A45C 5/14; A45C 9/00

See application file for complete search history.

(56) **References Cited**

**U.S. PATENT DOCUMENTS**

D273,534	S	*	4/1984	Weinreb	.....	D3/268
D357,354	S	*	4/1995	Marchwiak	.....	D3/276
D374,773	S	*	10/1996	Domotor	.....	D3/276
D402,463	S	*	12/1998	Mettler	.....	D3/279
D419,299	S	*	1/2000	Bauer	.....	D3/279
D456,993	S	*	5/2002	Lin	.....	D3/276
D463,910	S	*	10/2002	Tchan	.....	D3/279
D474,598	S	*	5/2003	Platte, III	.....	D3/279
D489,528	S	*	5/2004	Ihenacho	.....	D3/279
D501,601	S	*	2/2005	Platte, III	.....	D3/279
D526,482	S	*	8/2006	Esslinger	.....	D3/279
D622,060	S	*	8/2010	Scicluna	.....	D3/279
2005/0161483	A1	*	7/2005	Krohn	.....	B62J 9/006 224/413

**OTHER PUBLICATIONS**

Amazon, "BoardingBlueRolling Personal Item Under Seat Duffel Bag for the Airlines of American, Frontier, Spirit- Black", Accessed Nov. 1, 2017, Reviewed as early as Oct. 11, 2015. (<https://www.amazon.com/BoardingBlueRolling-Personal-Airlines-American-Frontier/dp/B013CAJGEA/>).\*

(Continued)

*Primary Examiner* — Jennifer Rivard

*Assistant Examiner* — April Rivas

(74) *Attorney, Agent, or Firm* — Mitchell Law PLLC;  
Matthew W. Mitchell

(57) **CLAIM**

The ornamental design for an under-seat-sized travel bag, as shown and described.

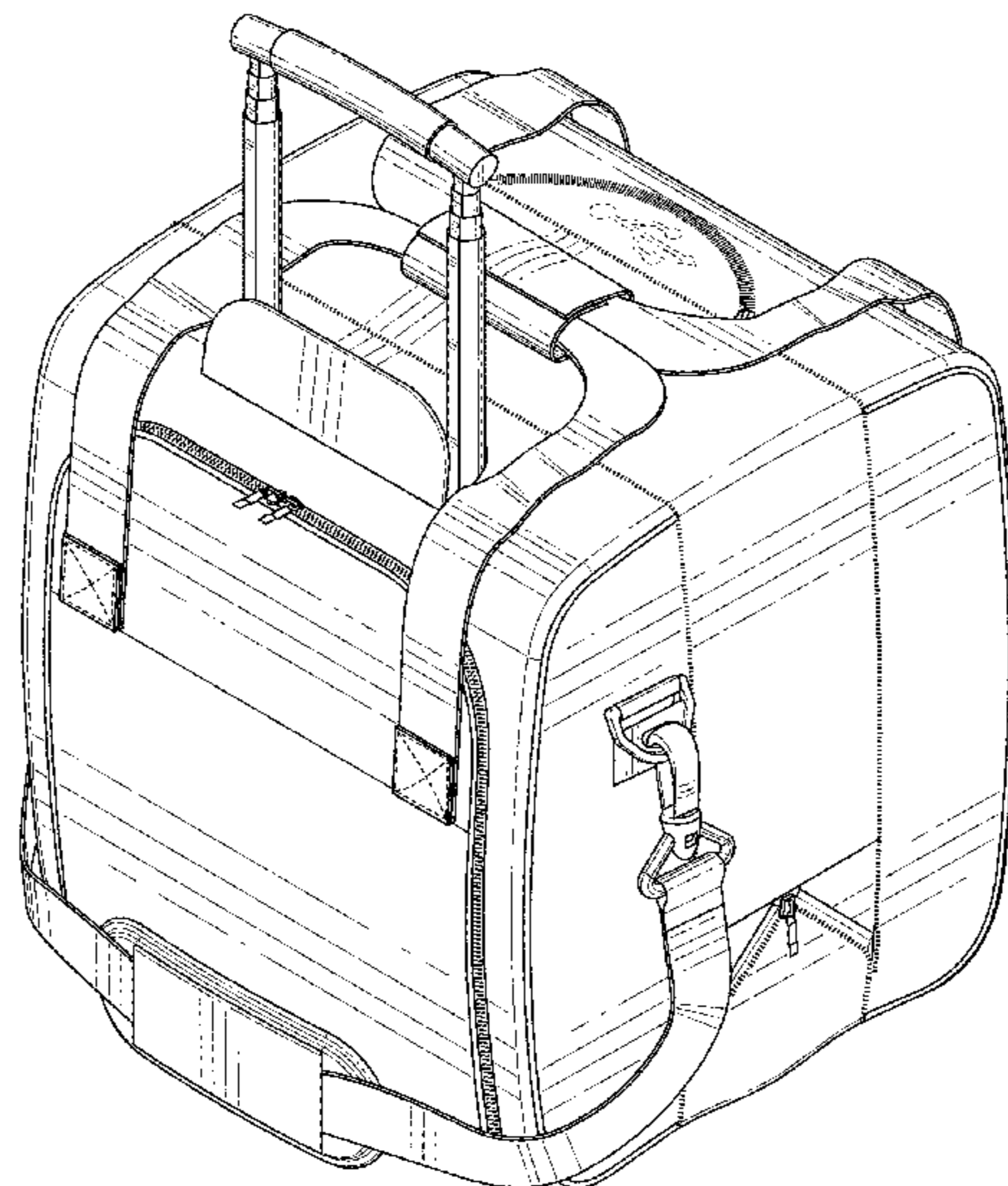
**DESCRIPTION**

FIG. 1 is a back left perspective view of the under-seat-sized travel bag of the present invention;  
FIG. 2 is a front right perspective view of the invention;  
FIG. 3 is a back right perspective view of the invention;  
FIG. 4 is a front left perspective view of the invention;  
FIG. 5 is a back view of the invention;  
FIG. 6 is a front view of the invention;  
FIG. 7 is a side view of the invention of FIG. 1, as seen from the right side of FIG. 6;  
FIG. 8 is a side view of the invention of FIG. 1, as seen from the left side of FIG. 6;  
FIG. 9 is a top plan view in elevation of the invention; and,  
FIG. 10 is a bottom view of the invention.

The broken line showing a universal serial bus logo forms no part of the claimed design.

The broken lines on the front strap represent stitching and are part of the claimed design.

**1 Claim, 10 Drawing Sheets**



(56)

**References Cited**

OTHER PUBLICATIONS

eBags, "Samsonite Wheeled Underseater Small", Accessed Nov. 2, 2017, Reviewed prior to May 10, 2014. (<https://www.ebags.com/product/samsonite/wheeled-underseater-small/264293?productid=10620025>).\*

eBags, "Kenneth Cole Reaction Dot Matrix Underseater / True Carry-On", Accessed Nov. 2, 2017, Reviewed as early as May 1, 2016. (<https://www.ebags.com/product/kenneth-cole-reaction-business-and-luggage/dot-matrix-underseater-true-carry-on/313069>).\*

\* cited by examiner

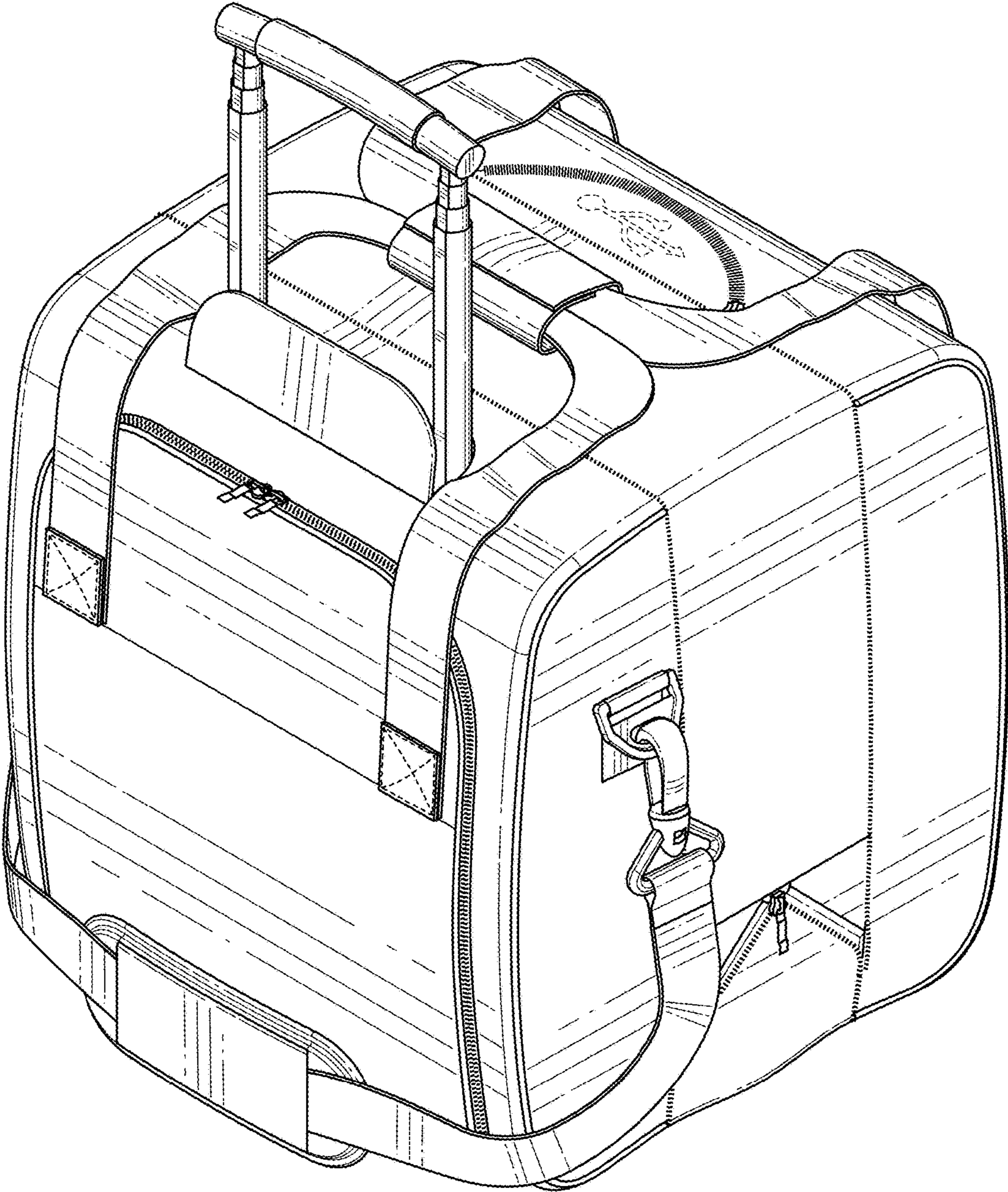


FIG. 1

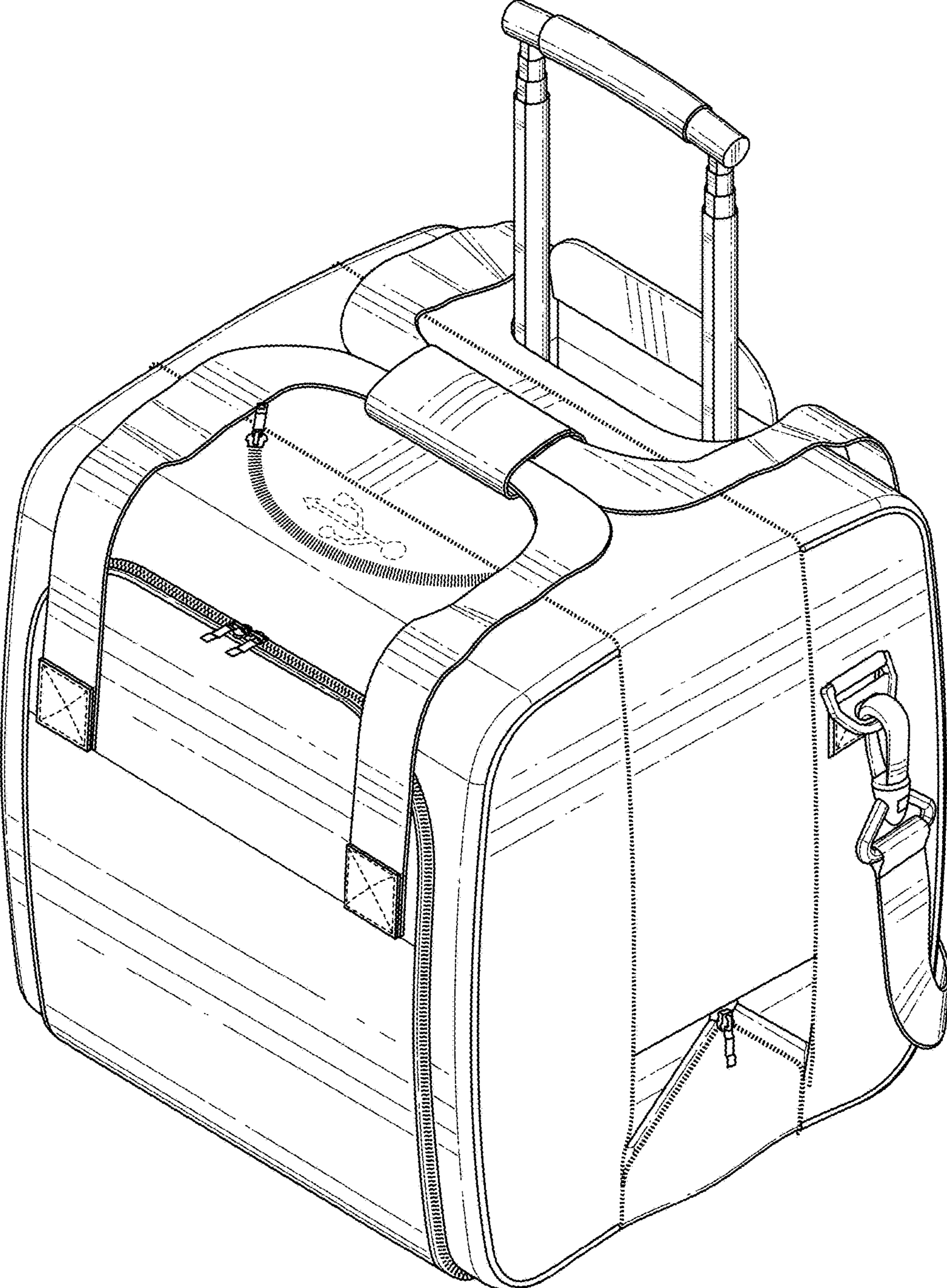


FIG. 2

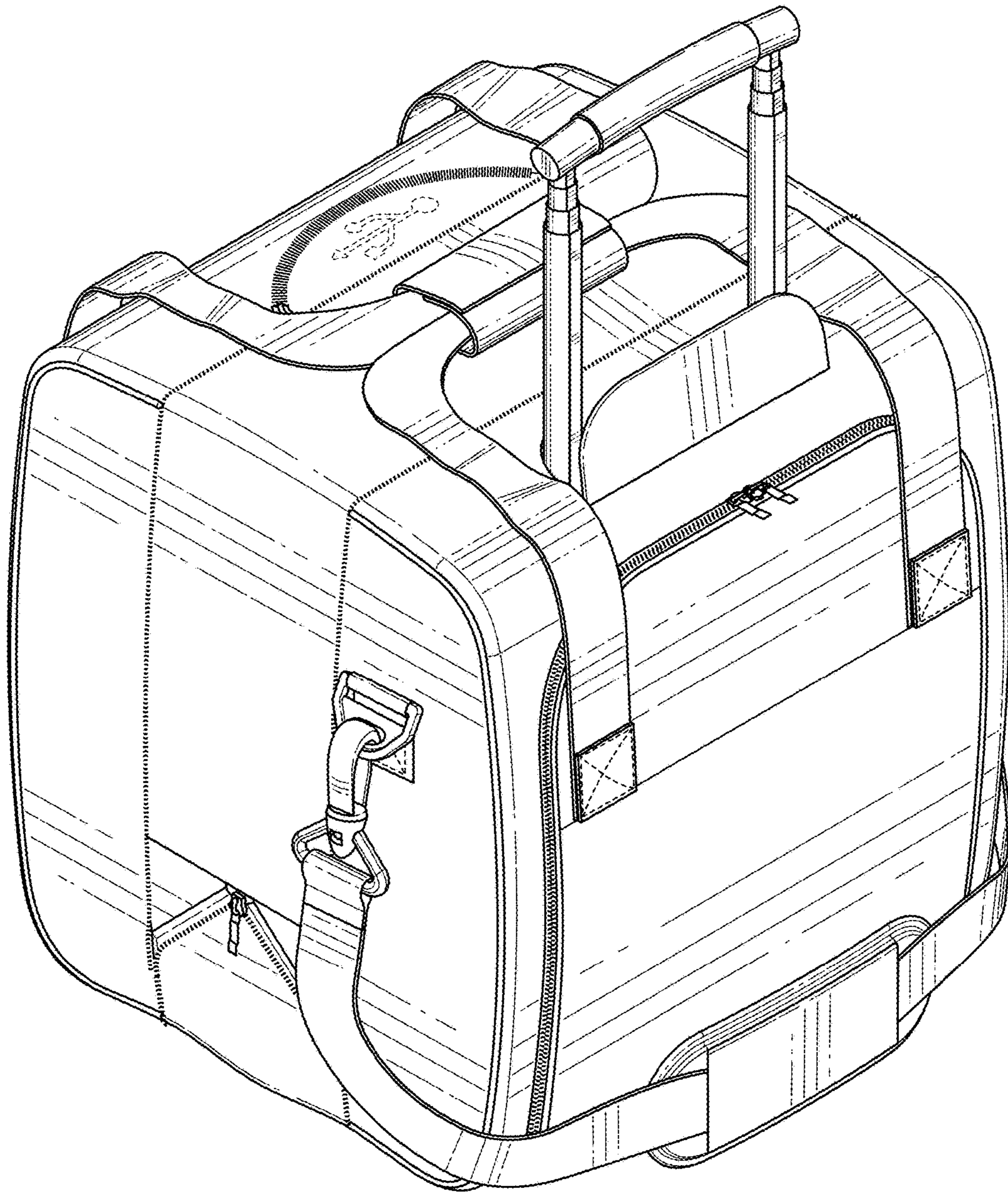


FIG. 3

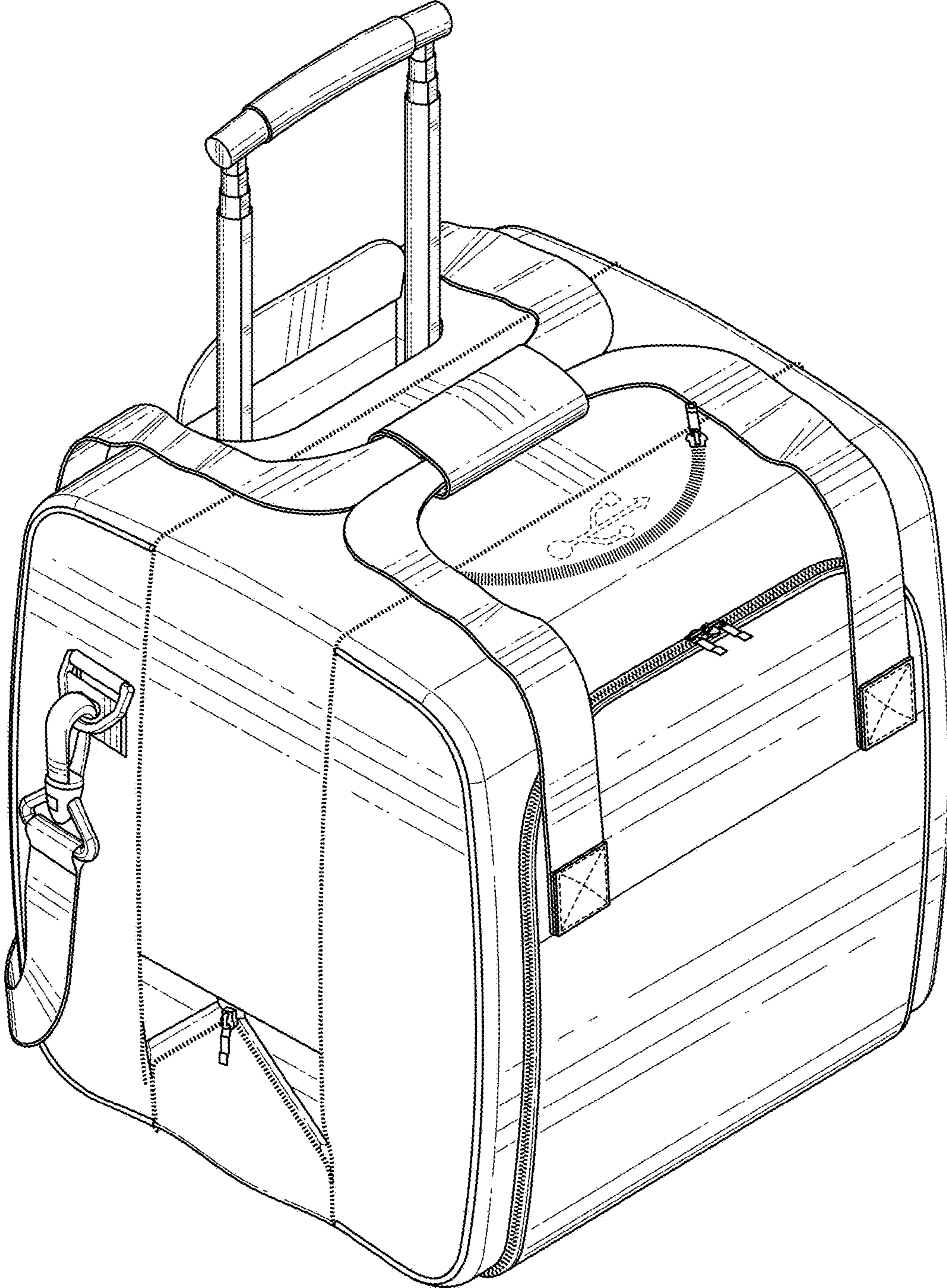


FIG. 4

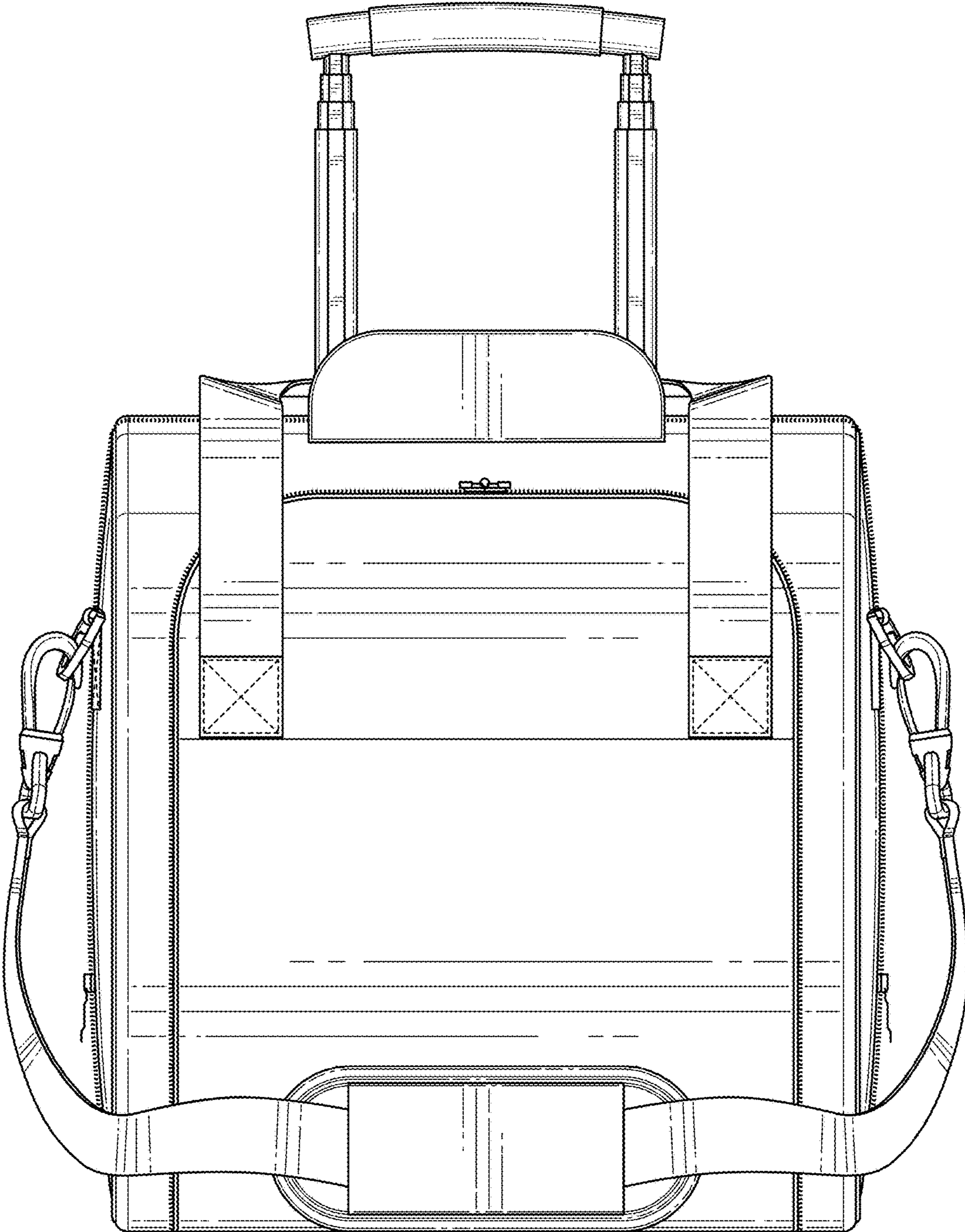


FIG. 5



FIG. 6



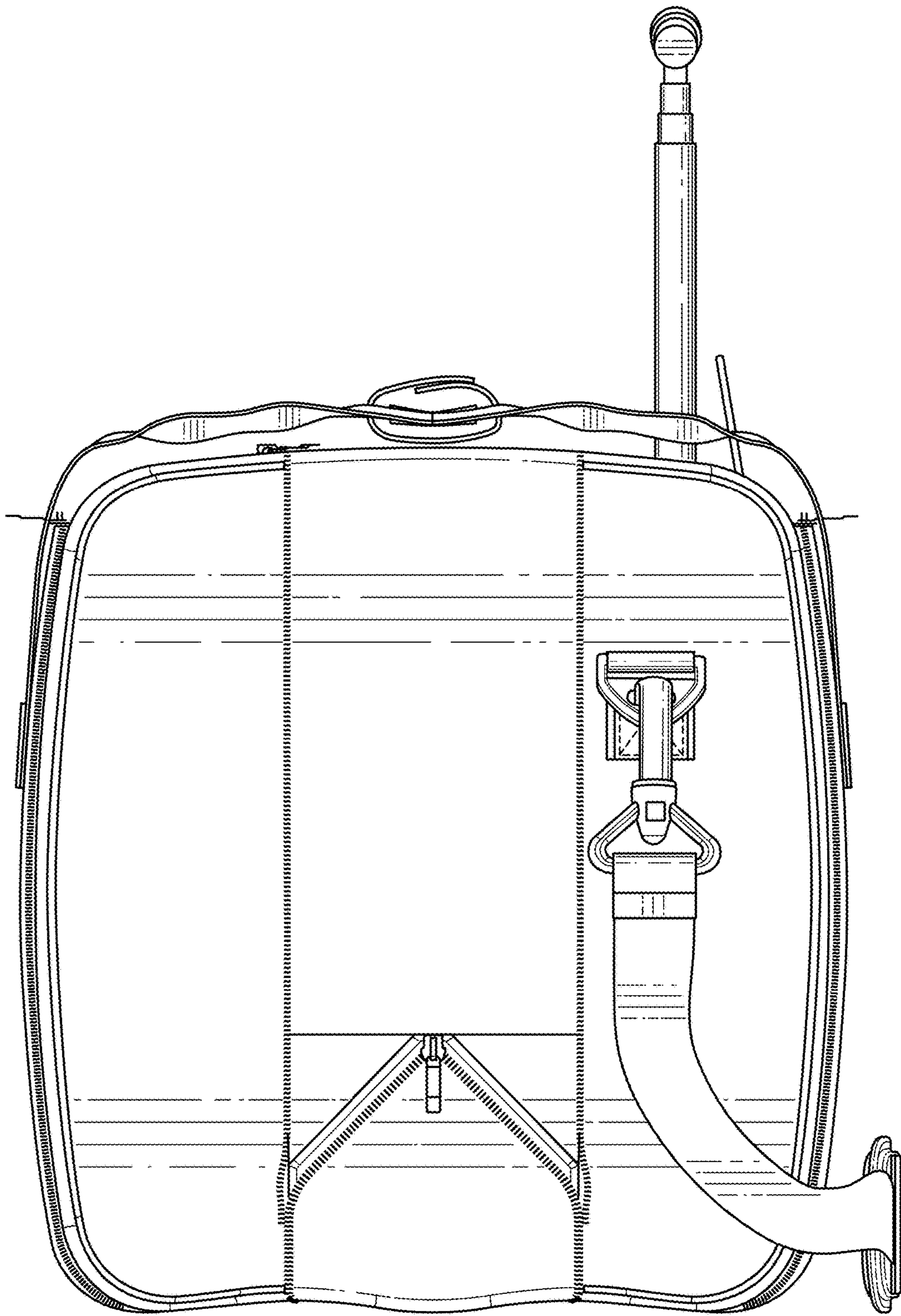


FIG. 7

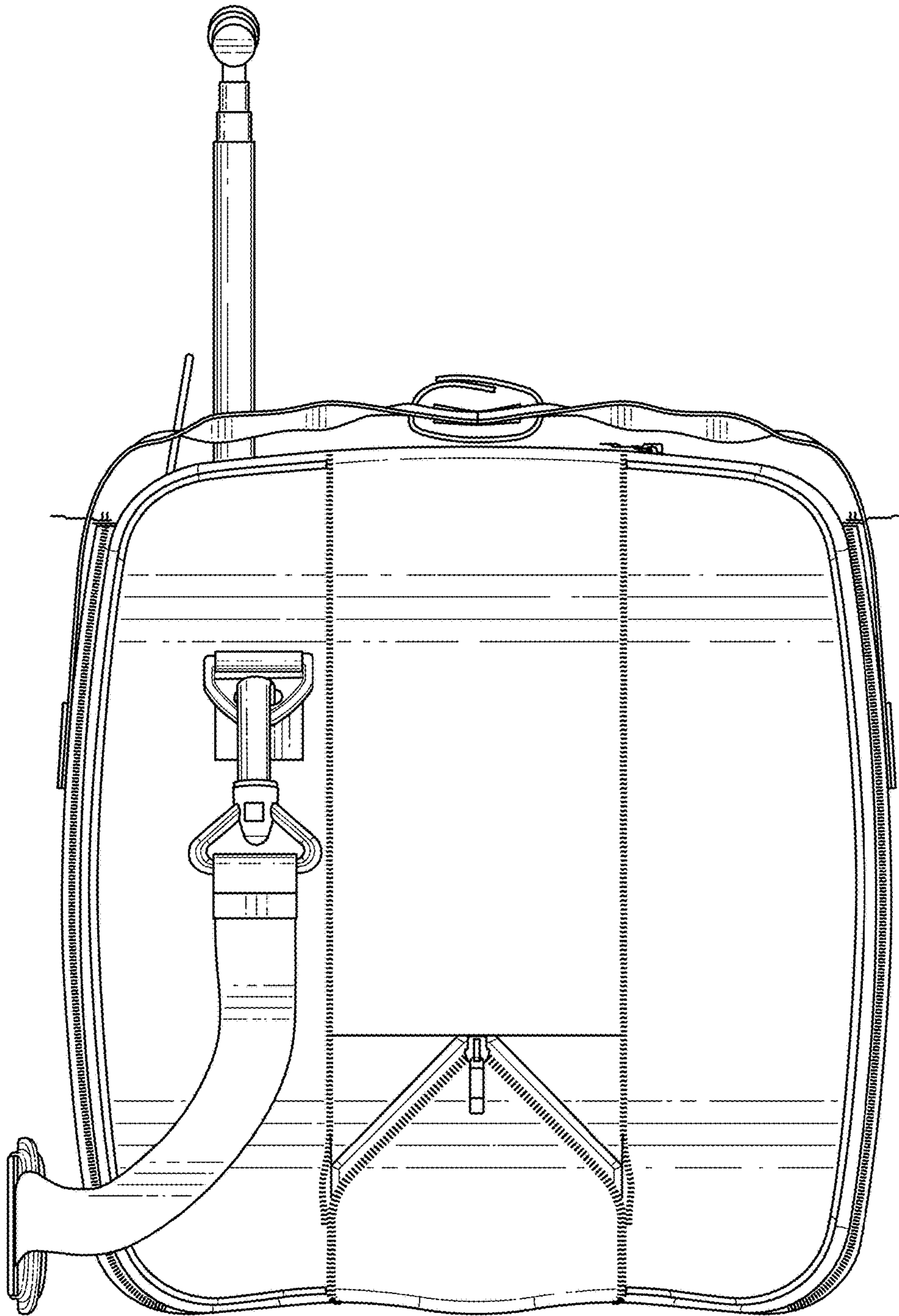


FIG. 8

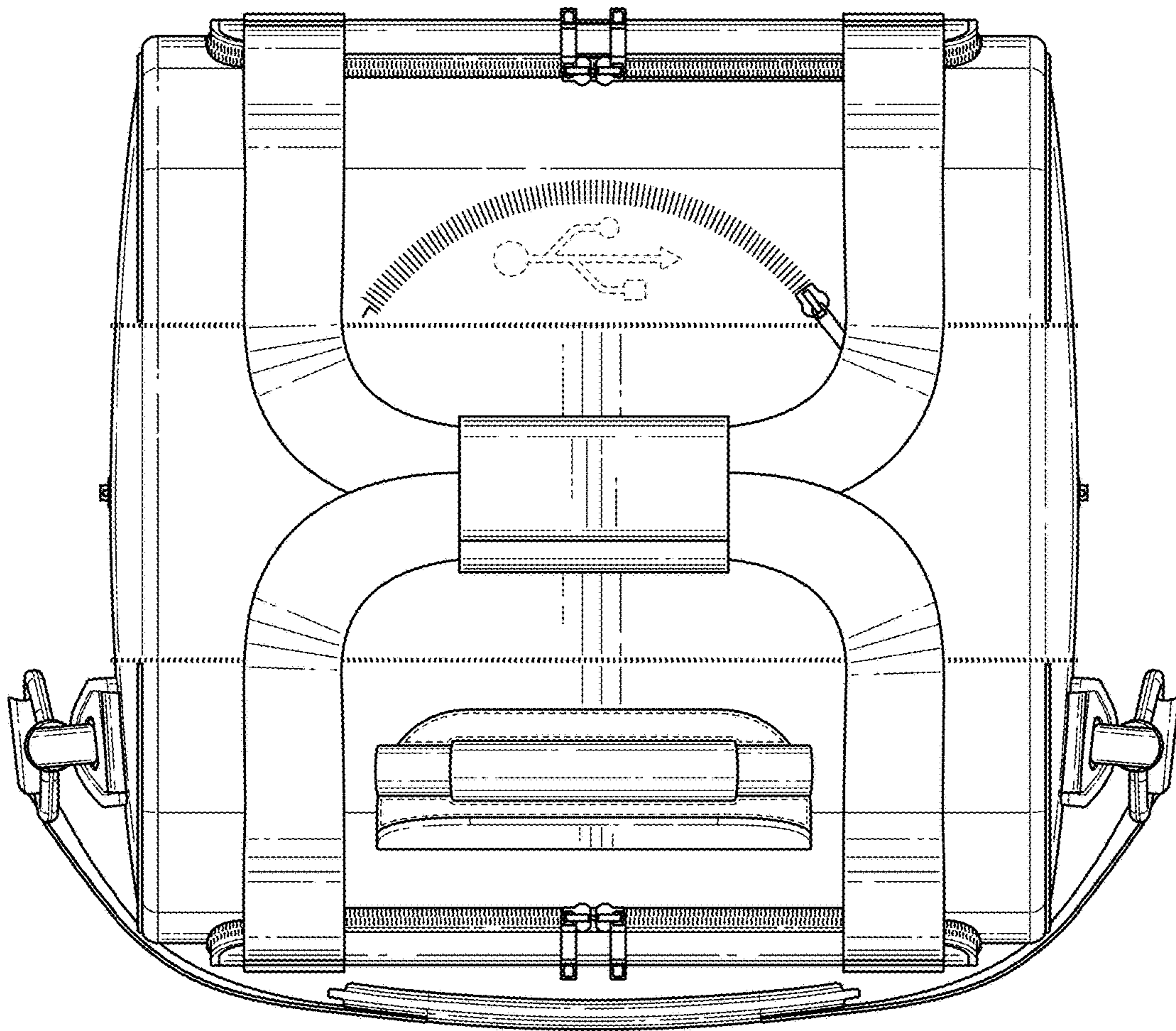


FIG. 9

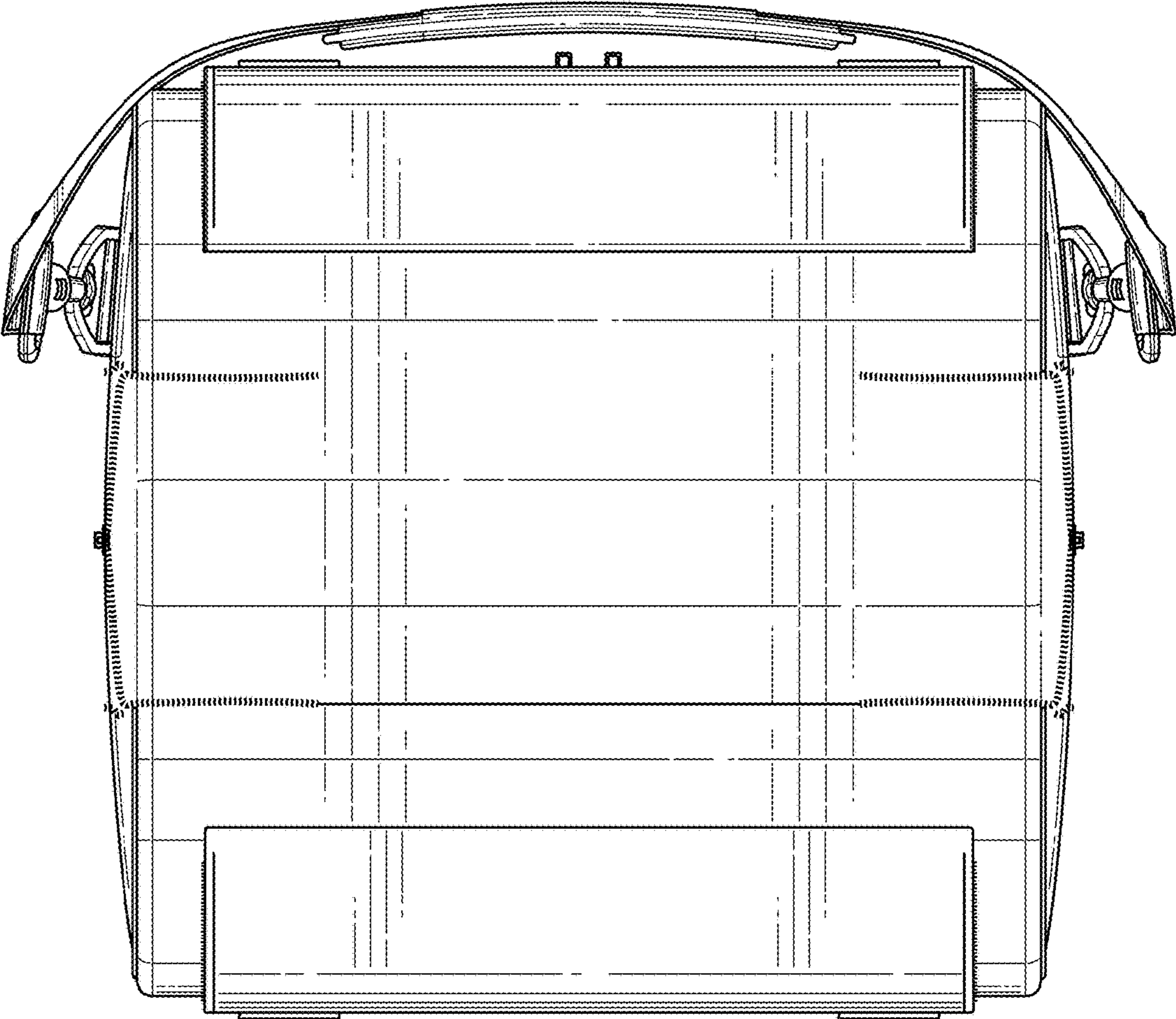


FIG. 10