



US00D828026S

(12) **United States Design Patent**
Cavazos, III

(10) **Patent No.:** **US D828,026 S**

(45) **Date of Patent:** **** Sep. 11, 2018**

(54) **DRYWALL KNIFE CASE**

(71) Applicant: **Conrado G. Cavazos, III**, San Antonio, TX (US)

(72) Inventor: **Conrado G. Cavazos, III**, San Antonio, TX (US)

(**) Term: **15 Years**

(21) Appl. No.: **29/629,301**

(22) Filed: **Dec. 12, 2017**

Related U.S. Application Data

(62) Division of application No. 29/559,444, filed on Mar. 28, 2016, now Pat. No. Des. 808,652.

(51) **LOC (11) Cl.** **03-01**

(52) **U.S. Cl.**
USPC **D3/269; D3/905**

(58) **Field of Classification Search**
USPC D3/269, 272-273, 276, 281-282, 284, D3/292, 294, 201, 905; D8/71; D6/626, D6/632
CPC A45C 11/00; B25H 3/00; B25H 3/003; B25H 3/06; B25H 2/028; B65D 25/04
See application file for complete search history.

(56) **References Cited**

U.S. PATENT DOCUMENTS

4,303,188 A 12/1981 Calabrese
5,398,809 A 3/1995 Henke et al.

(Continued)

OTHER PUBLICATIONS

Core Gear, Wet Brush Storage, Jul. 26, 2016 via Internet ArchiveWayback Machine, available at <https://web.archive.org/web/20130726103947/http://core-gear.com/paint-it/cg-paint-accessories/wet-brush.html>.

Primary Examiner — Catherine R Oliver-Garcia
(74) *Attorney, Agent, or Firm* — Volk & McElroy, LLP; Michael D. Volk, Jr.

(57) **CLAIM**

The ornamental design for a drywall knife case, as shown and described.

DESCRIPTION

FIG. 1 is a rear perspective view of a drywall knife case showing my new design.

FIG. 2 is an enlarged view of a corner portion thereof.

FIG. 3 is a front perspective view thereof.

FIG. 4 is a top view thereof; the bottom view is the same as the top view.

FIG. 5 is a front view thereof.

FIG. 6 is a rear view thereof.

FIG. 7 is a right side view thereof; the left side view is the mirror image of the right side view.

FIG. 8 is a front perspective view thereof shown in an open configuration.

FIG. 9 is a right side view of the configuration shown in FIG. 8, the left side view is the mirror image of the right side view.

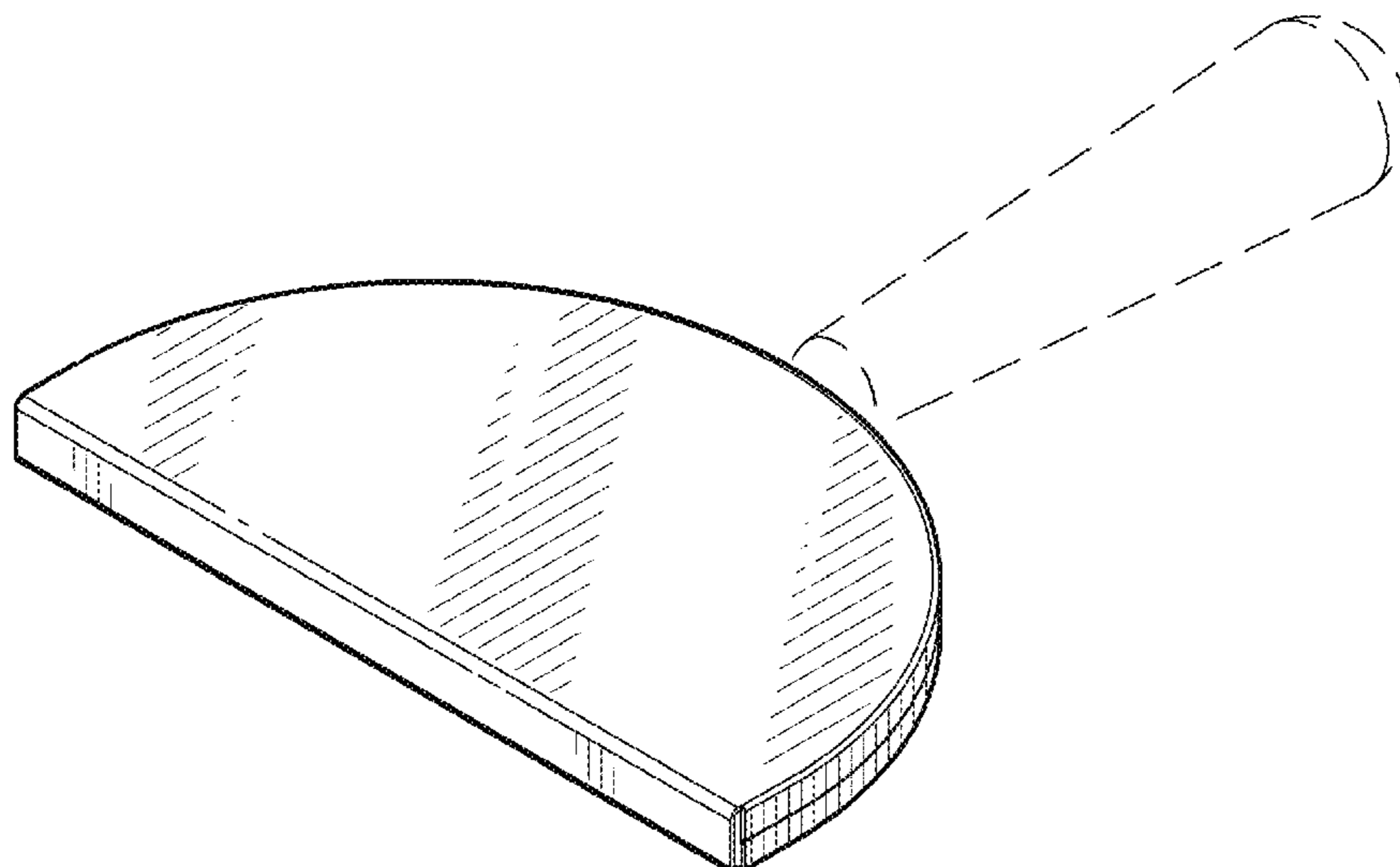
FIG. 10 is a top view of the configuration shown in FIG. 8. FIG. 11 is a bottom view of the configuration shown in FIG. 8.

FIG. 12 is a front view of the configuration shown in FIG. 8; and,

FIG. 13 is a rear view of the configuration shown in FIG. 8. The claimed drywall knife case is used to protect and cover a drywall knife, which is also referred to as a putty knife, a taping knife, or a joint knife.

The broken lines in the drawings depict features that form no part of the claimed design.

1 Claim, 7 Drawing Sheets



(56)

References Cited

U.S. PATENT DOCUMENTS

D413,753	S	9/1999	Allsop
D473,714	S	4/2003	Cousin
D477,143	S	7/2003	Nagata et al.
D516,725	S	3/2006	Barnes
7,290,656	B1	11/2007	Crawford
D710,098	S	8/2014	Horowitz
8,857,630	B2	10/2014	Zirkle
D784,015	S	4/2017	Woodhouse et al.
D792,708	S	7/2017	Tazawa et al.
2005/0247587	A1	11/2005	Holland-Letz
2014/0014542	A1	1/2014	DePaola et al.

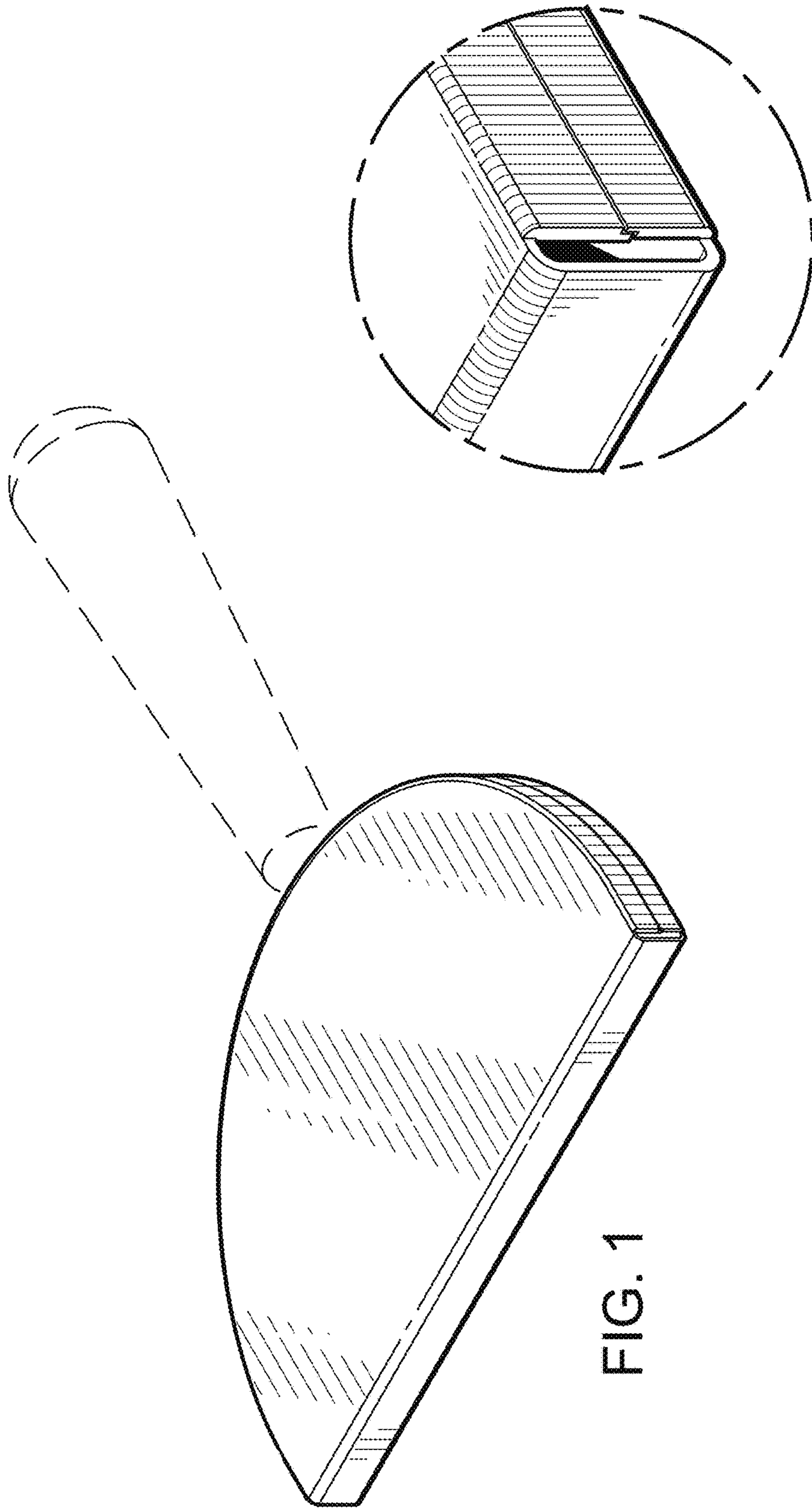


FIG. 1

FIG. 2

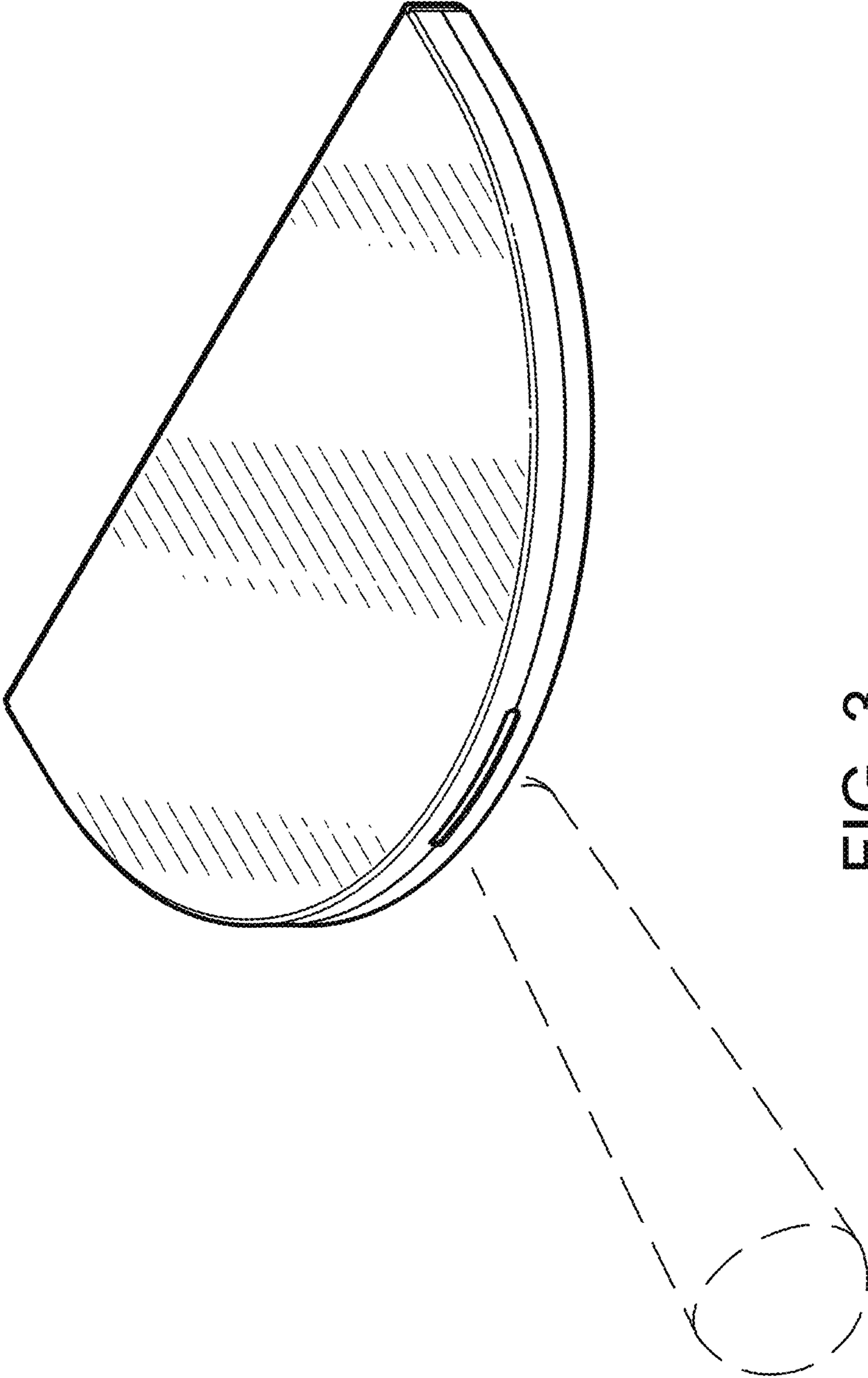


FIG. 3

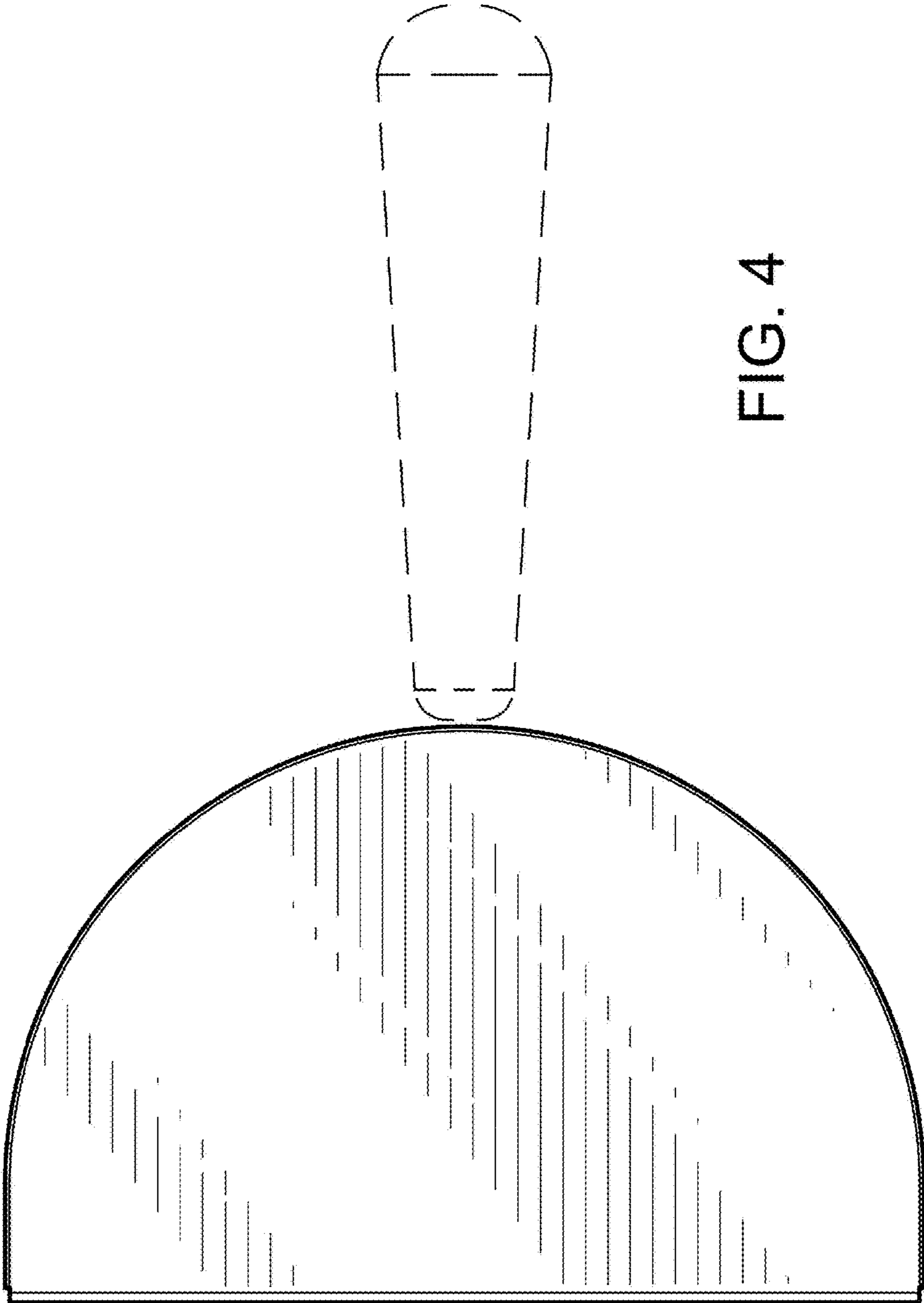


FIG. 4

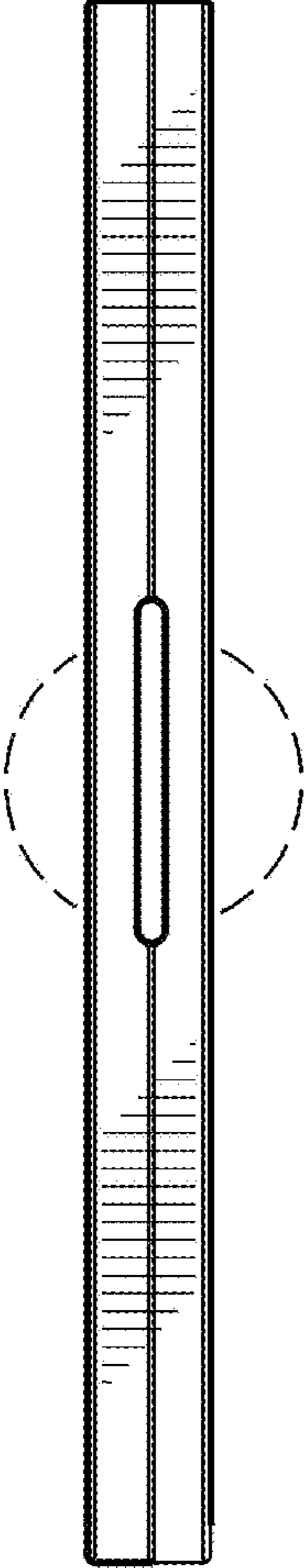


FIG. 5

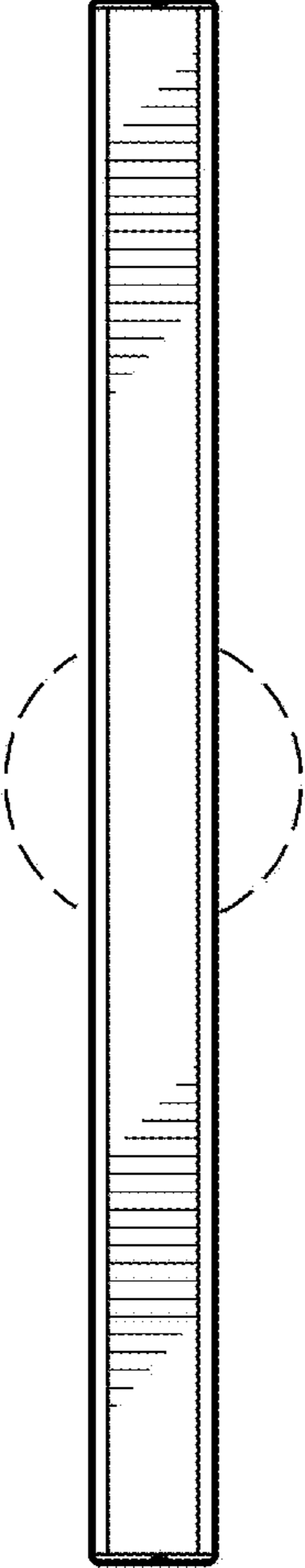


FIG. 6

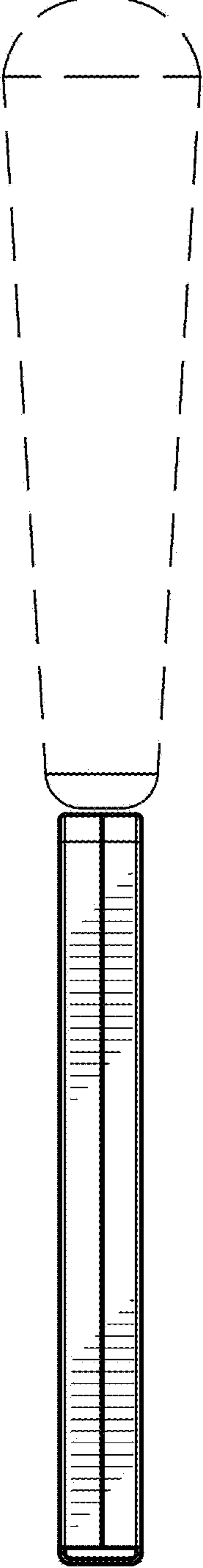


FIG. 7

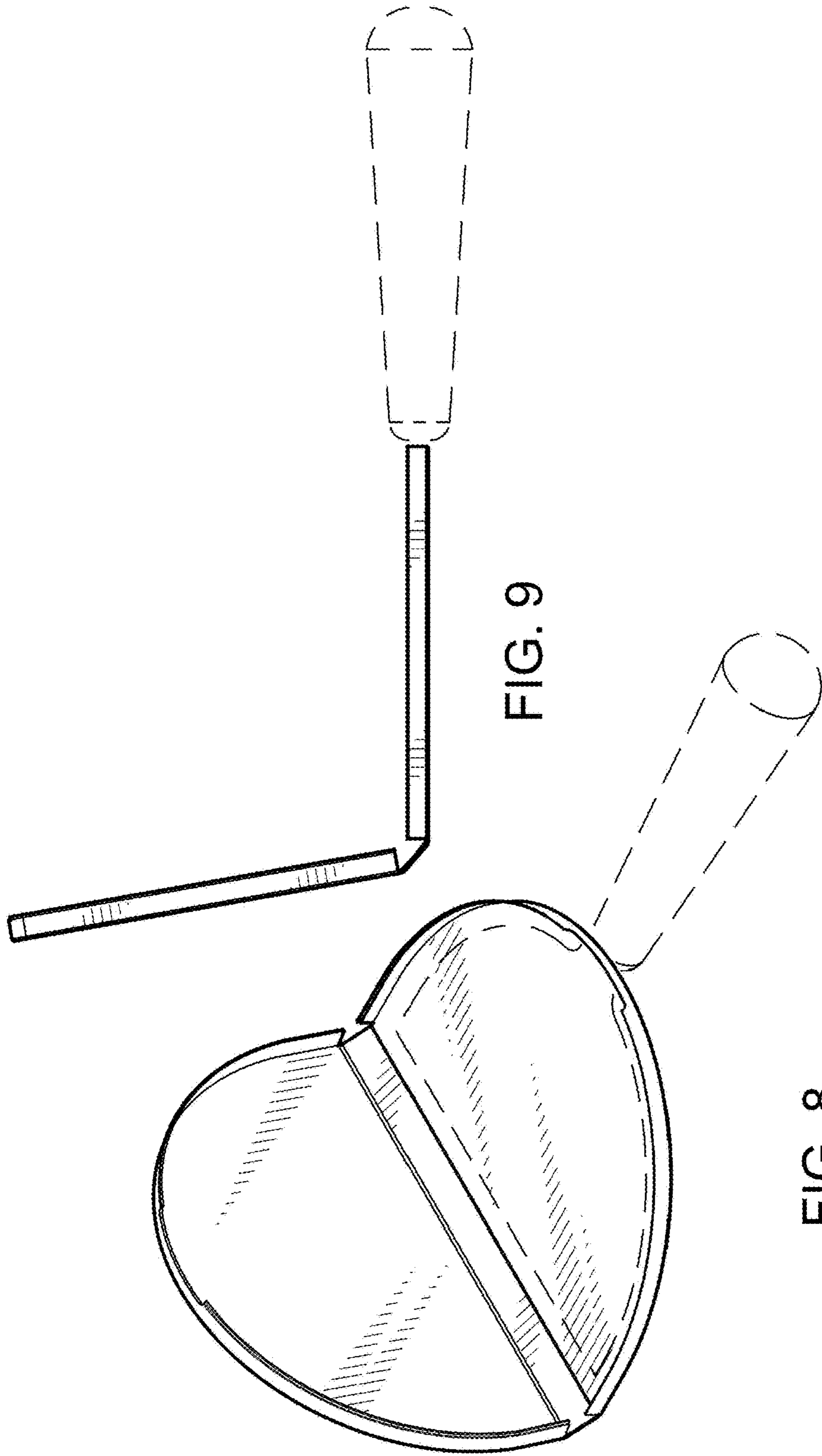


FIG. 9

FIG. 8

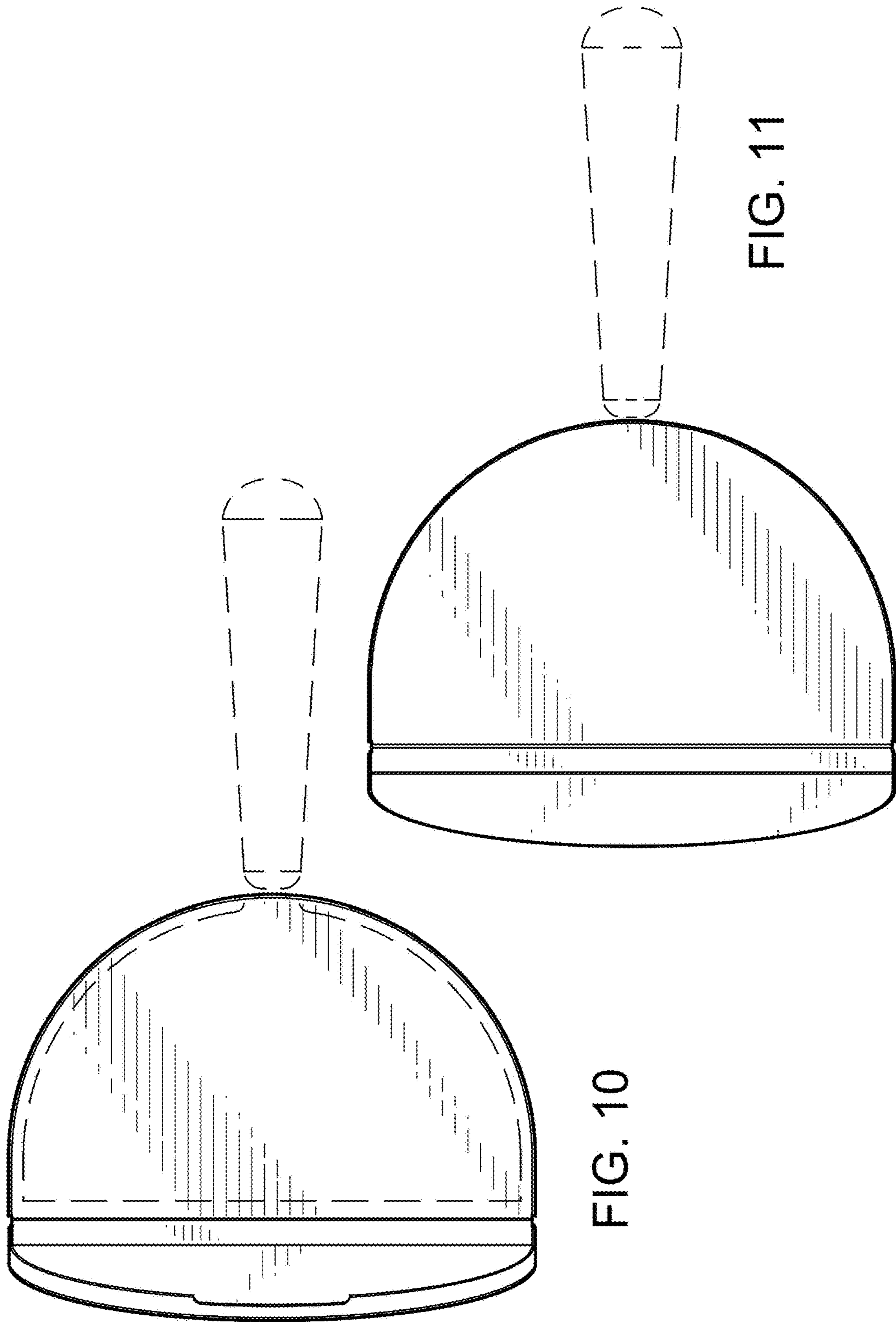


FIG. 10

FIG. 11

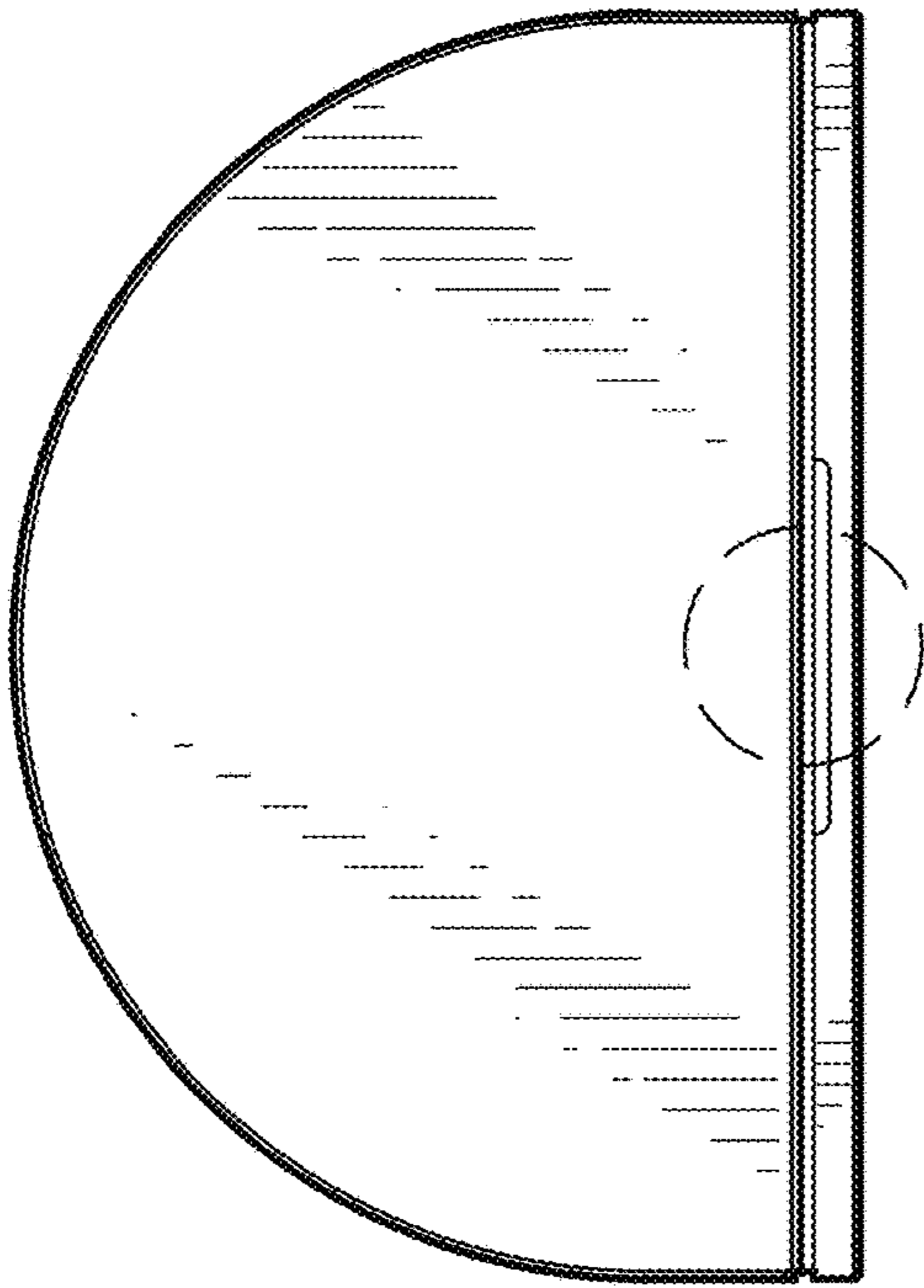


FIG. 12

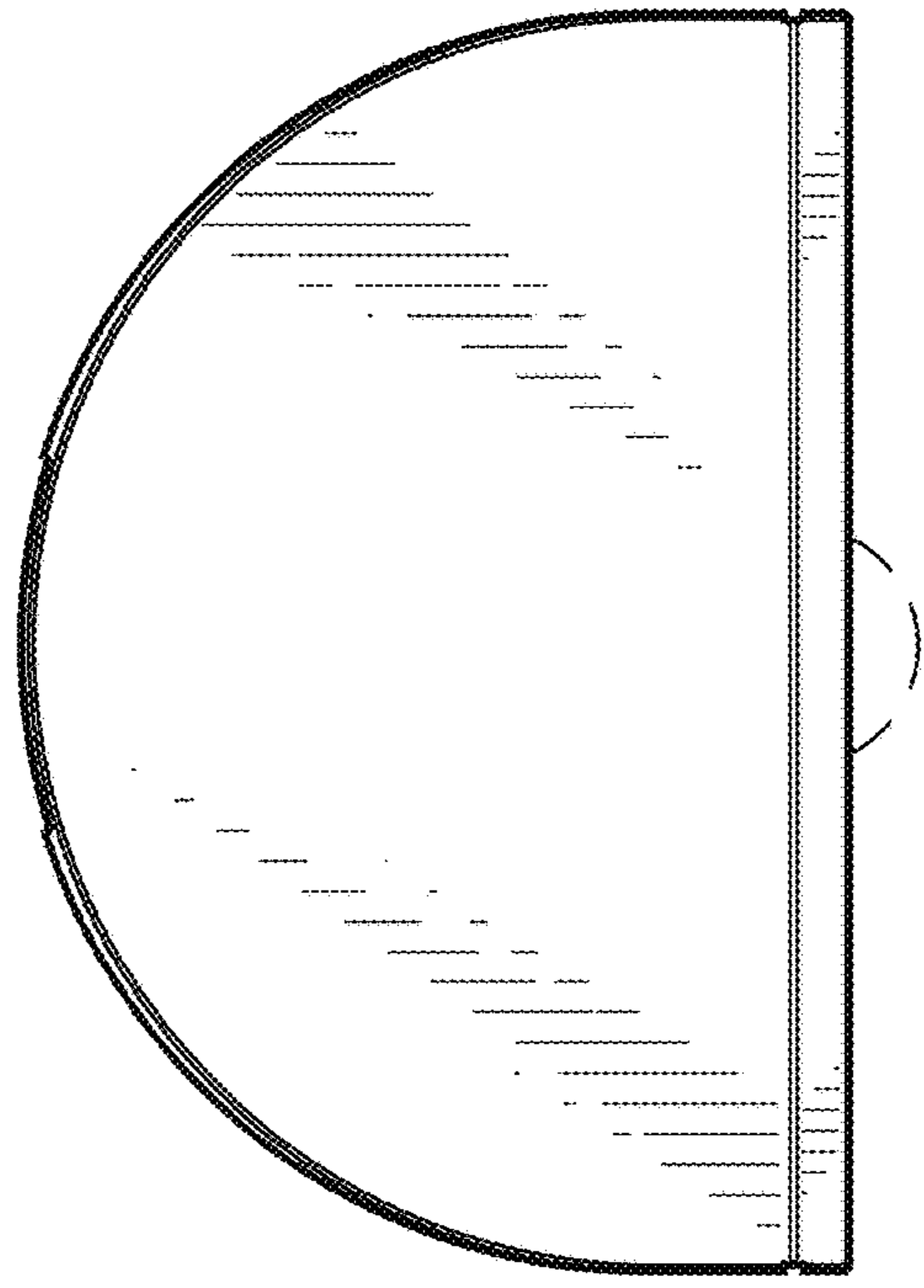


FIG. 13