



US00D828018S

(12) **United States Design Patent** (10) **Patent No.:** **US D828,018 S**
Zhang (45) **Date of Patent:** **** Sep. 11, 2018**

(54) **HOLSTER**

(71) Applicant: **Joe Zhang**, Shenzhen (CN)

(72) Inventor: **Joe Zhang**, Shenzhen (CN)

(**) Term: **15 Years**

(21) Appl. No.: **29/595,502**

(22) Filed: **Feb. 28, 2017**

(30) **Foreign Application Priority Data**

Jan. 5, 2017 (CN) 2017 3 0003439

(51) **LOC (11) Cl.** **03-01**

(52) **U.S. Cl.**
USPC **D3/222**

(58) **Field of Classification Search**
USPC D3/222-223; 224/183, 191-193,
224/238-239, 243-244, 587, 672,
224/911-912, 931, 901.4; 42/90, 106
CPC A45F 5/00; A45F 5/02; A45F 2003/003;
A45F 2200/0591; A45F 2200/105; F41C
33/0218; F41C 33/041; F41C 33/046;
F41C 33/0209; F41C 33/0254; F41C
33/0236; F41C 33/0263; F41C 33/0227
See application file for complete search history.

(56) **References Cited**

U.S. PATENT DOCUMENTS

7,117,625 B2 *	10/2006	Pikielny	F41C 33/0209 42/90
8,851,344 B2 *	10/2014	Baumann	F41C 33/0263 224/192
D740,021 S *	10/2015	Faifer	D3/222
D776,919 S *	1/2017	Tate	D3/222
D784,008 S *	4/2017	Rogers	D3/222
D807,031 S *	1/2018	Madrid	D3/222

* cited by examiner

Primary Examiner — Catherine R Oliver-Garcia

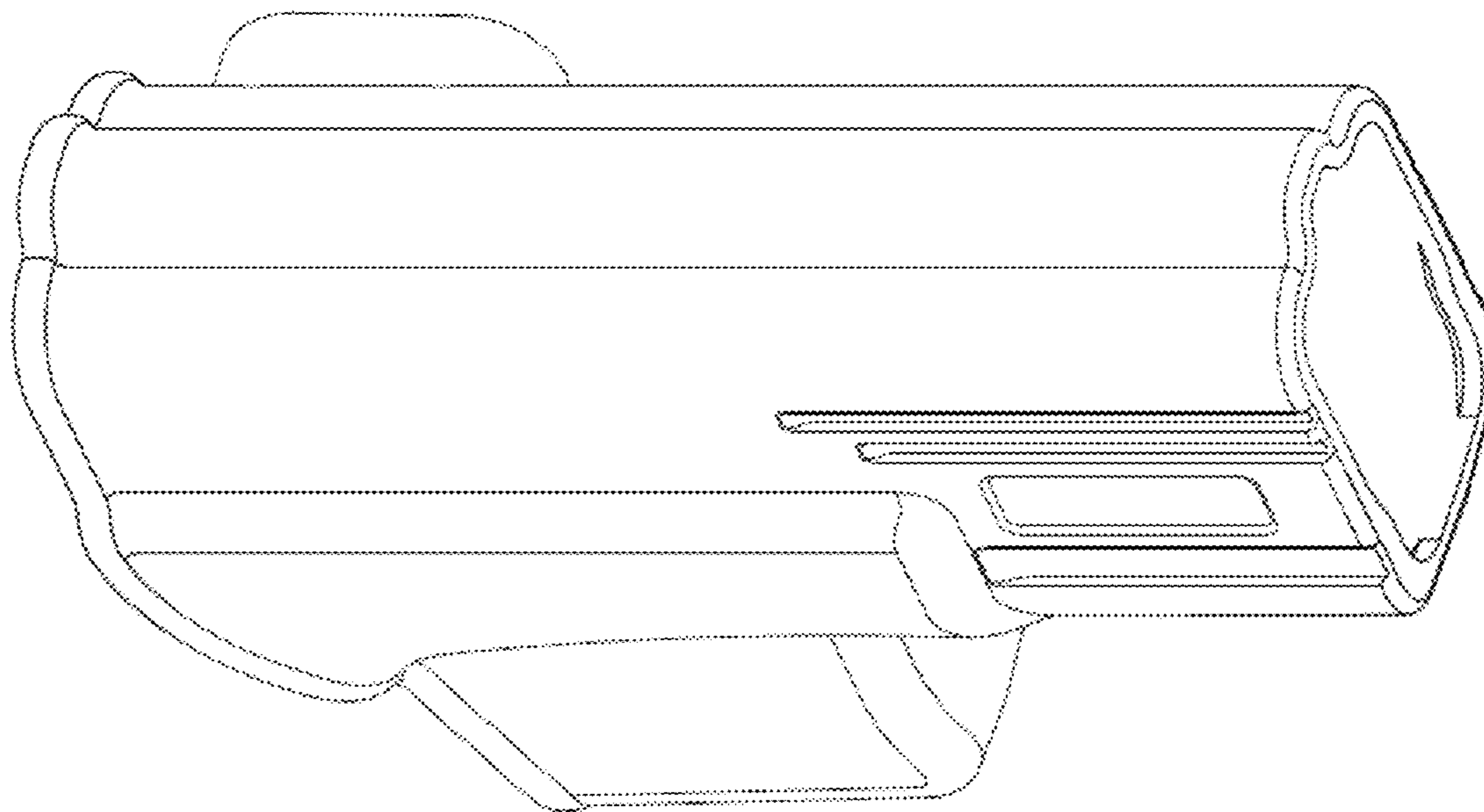
(57) **CLAIM**

The ornamental design for a holster, as shown and described.

DESCRIPTION

FIG. 1 is a Front elevational view of a holster showing my new design;
FIG. 2 is a Rear elevational view thereof;
FIG. 3 is a Left side view thereof;
FIG. 4 is a Right side view thereof;
FIG. 5 is a Top plan view thereof;
FIG. 6 is a Bottom plan view thereof; and,
FIG. 7 is a Perspective view thereof.

1 Claim, 7 Drawing Sheets



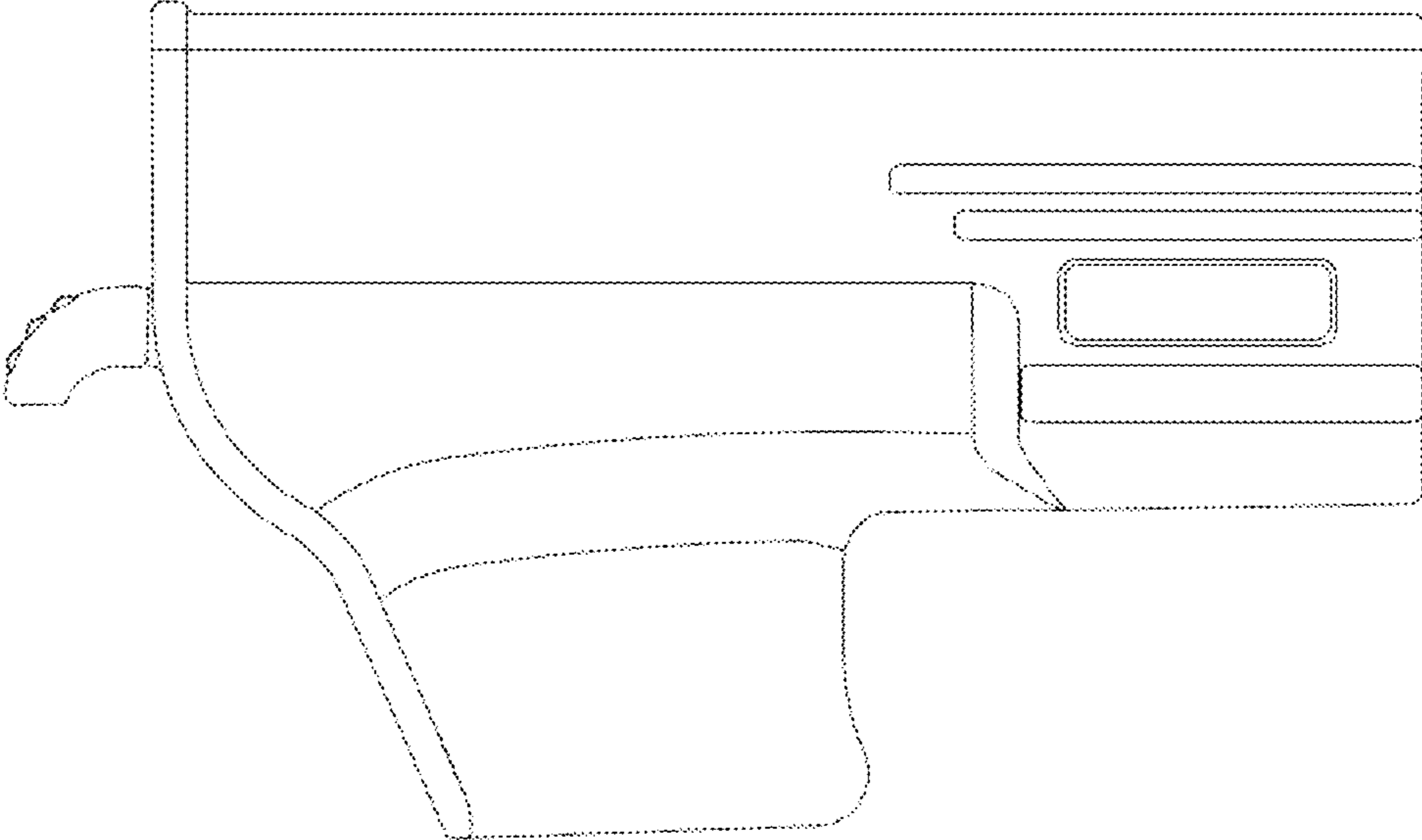


FIG. 1

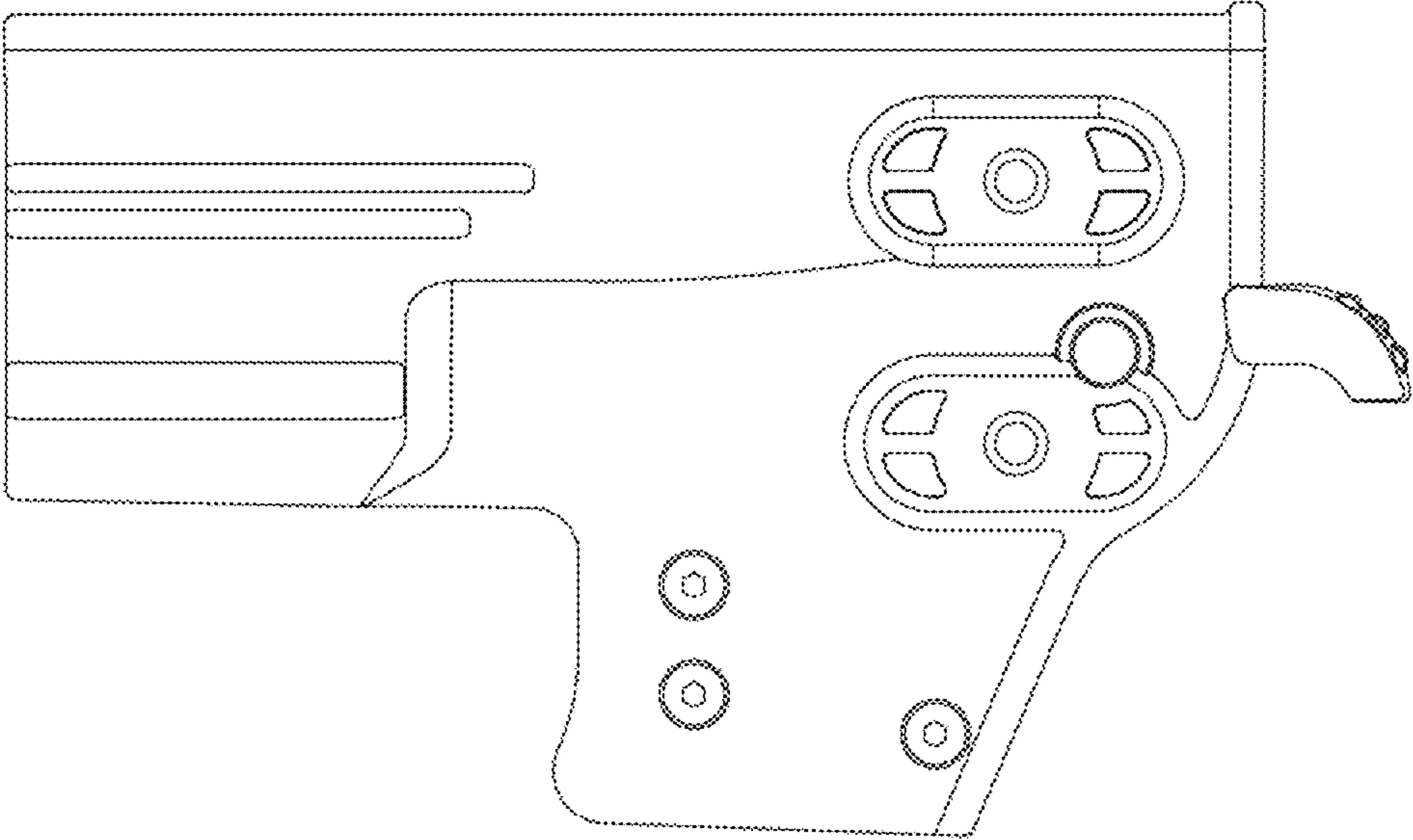


FIG. 2

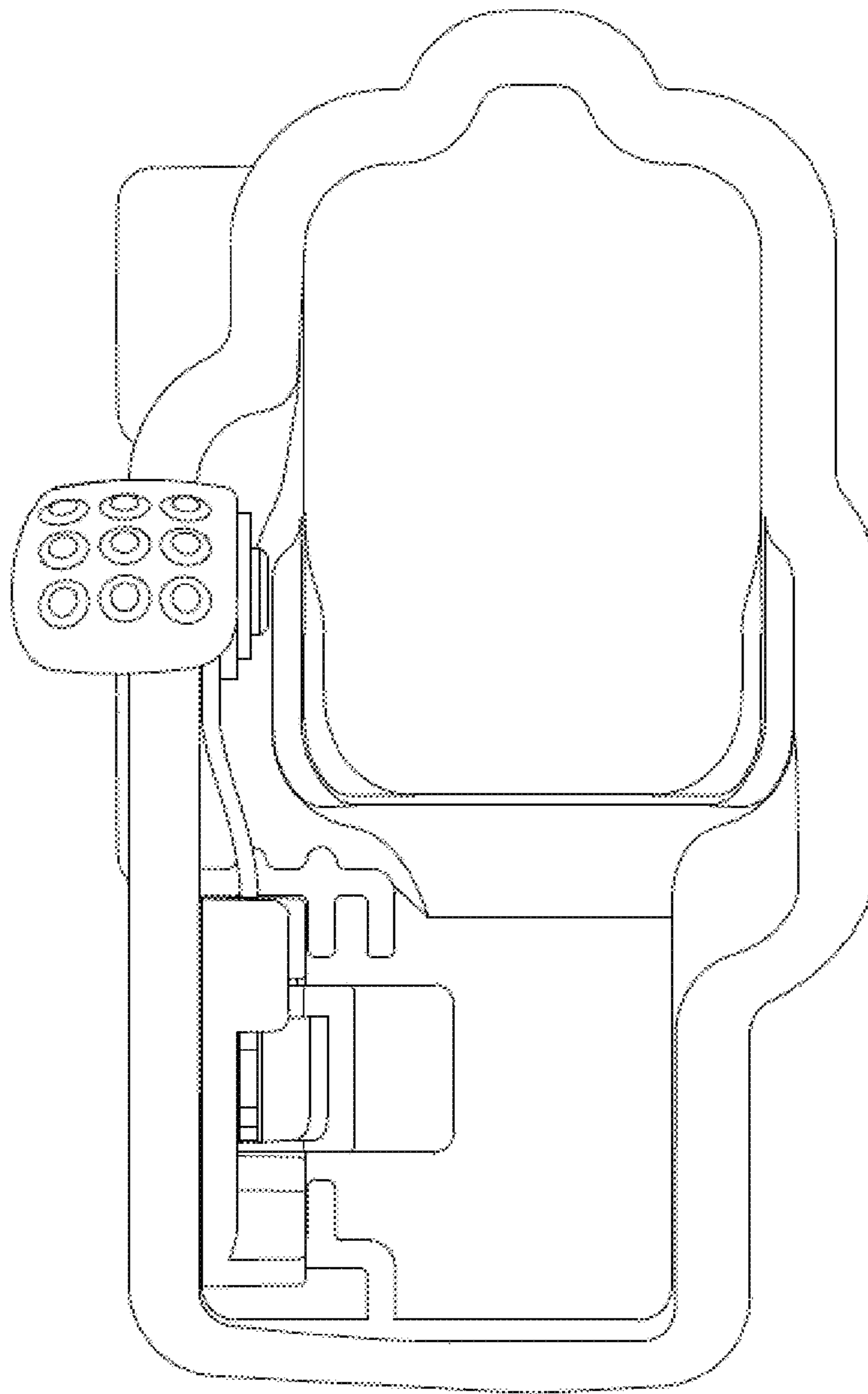


FIG. 3

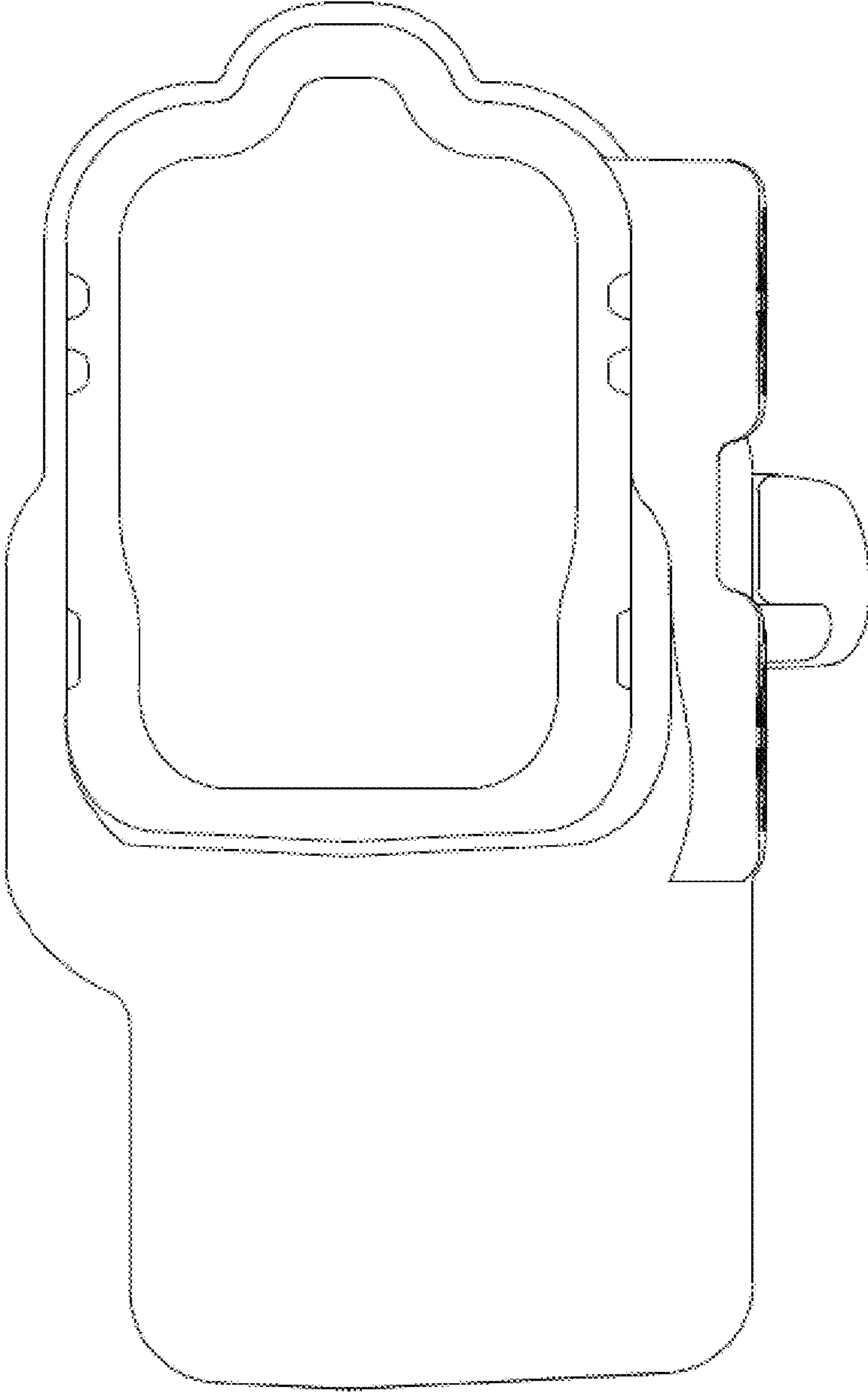


FIG. 4

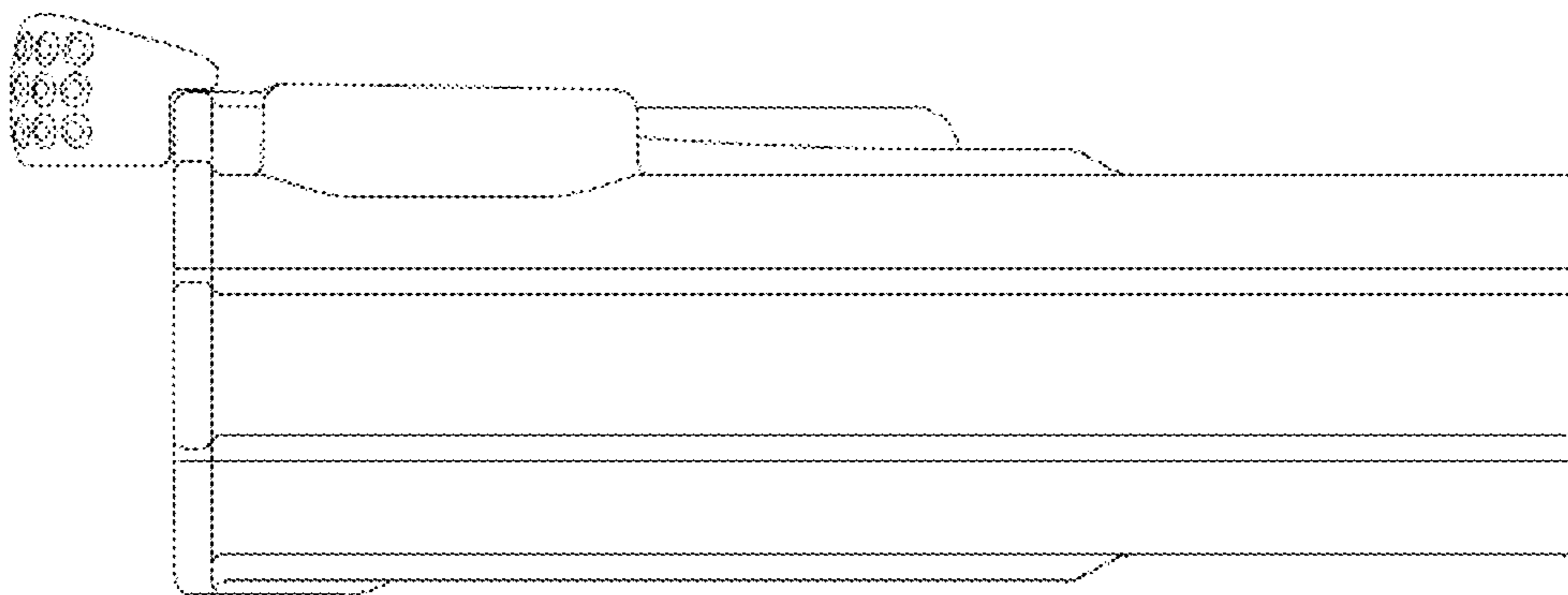


FIG. 5

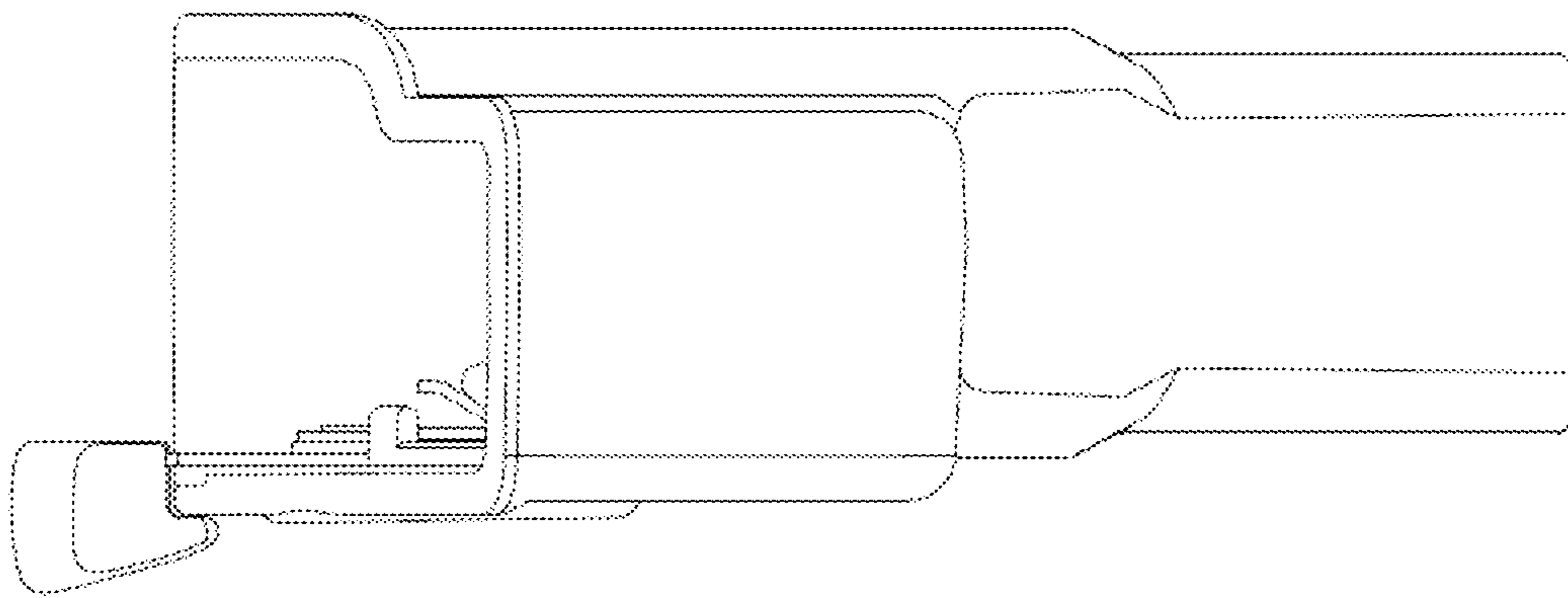


FIG. 6

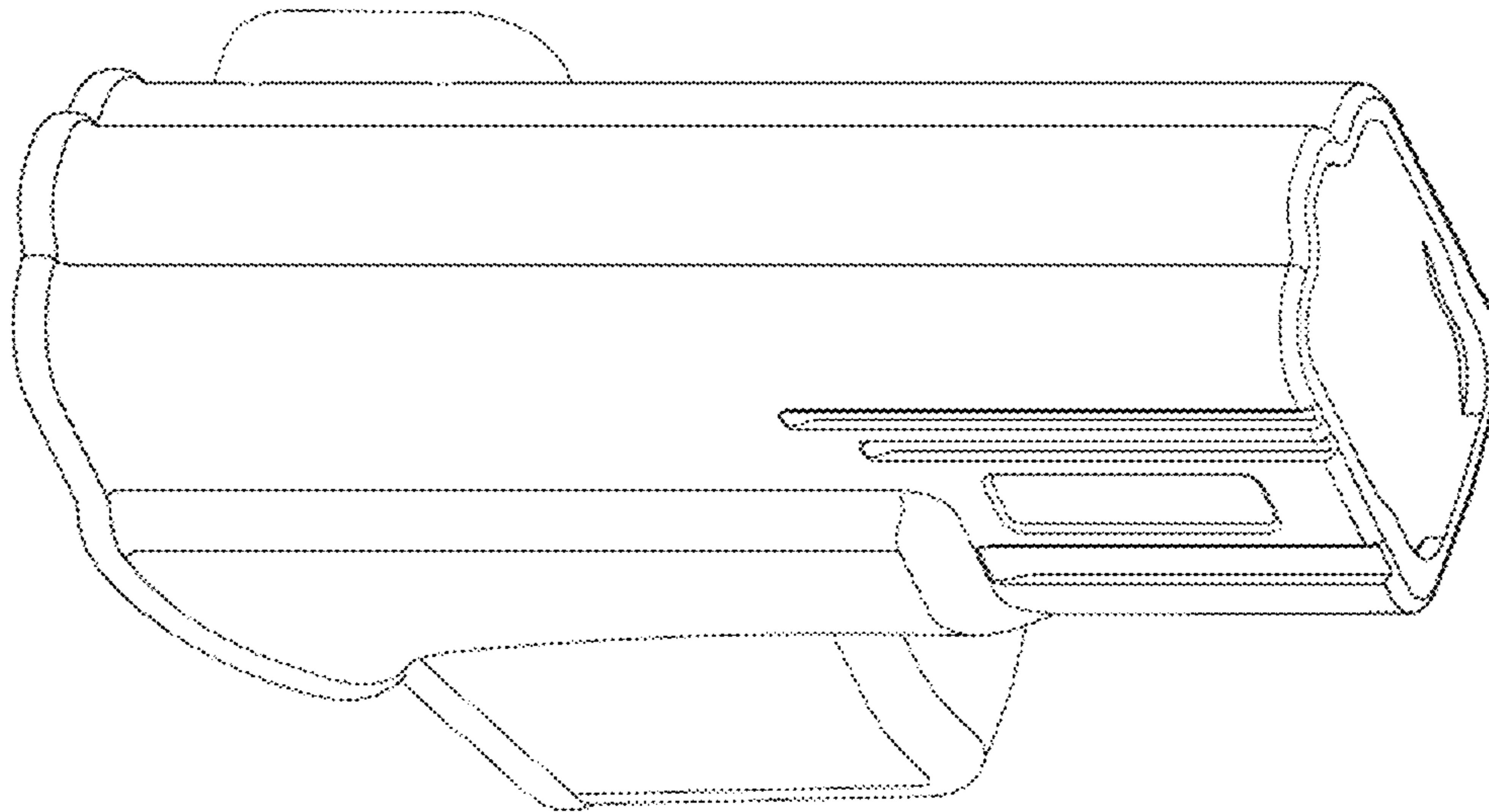


FIG. 7