



US00D828017S

(12) **United States Design Patent**  
**Judah et al.**

(10) **Patent No.:** **US D828,017 S**

(45) **Date of Patent:** **\*\* Sep. 11, 2018**

(54) **TOTE BAG**

(71) Applicant: **American Jewel LLC**, Valencia, CA  
(US)

(72) Inventors: **Saul Judah**, Valencia, CA (US); **Sherie Judah**, Valencia, CA (US)

(73) Assignee: **American Jewel LLC**, Valencia, CA  
(US)

(\*\*) Term: **15 Years**

(21) Appl. No.: **29/580,510**

(22) Filed: **Oct. 10, 2016**

(51) **LOC (11) Cl.** ..... **03-01**

(52) **U.S. Cl.**

USPC ..... **D3/217**

(58) **Field of Classification Search**

USPC ..... D3/201, 216, 217, 254, 272, 279, 294;  
D6/336, 368

CPC ..... A45F 3/04; A45F 4/02; A45F 2003/045;  
A45F 2003/125; A45F 3/02; A45F  
2003/127; A45F 3/047; A45F 3/12; A45F  
2003/001

See application file for complete search history.

(56) **References Cited**

**U.S. PATENT DOCUMENTS**

5,509,589 A \* 4/1996 Klot ..... A43B 5/0425  
224/637  
5,706,992 A \* 1/1998 Moor ..... A45F 3/04  
190/102  
D404,909 S \* 2/1999 Fichter ..... D3/216  
D420,793 S \* 2/2000 Vreeland ..... D3/216

D435,962 S \* 1/2001 Kohlhase ..... D3/216  
D517,800 S \* 3/2006 de Baschmakoff ..... D3/216  
D784,005 S \* 4/2017 Zheng ..... D3/216  
D793,718 S \* 8/2017 Dumas ..... D3/217  
D794,323 S \* 8/2017 Dumas ..... D3/217  
D794,947 S \* 8/2017 Gavriel ..... D3/217

\* cited by examiner

*Primary Examiner* — George D. Kirschbaum

*Assistant Examiner* — Jennifer L. Watkins

(74) *Attorney, Agent, or Firm* — Mark A. Goldstein;

Michael D. Harris; SoCal IP Law Group LLP

(57) **CLAIM**

The ornamental design for a tote bag, as shown and described.

**DESCRIPTION**

A portion of the disclosure of this patent document contains material to which a claim for copyright is made. The copyright owner has no objection to the facsimile reproduction by anyone of the patent document or the patent disclosure, as it appears in the Patent and Trademark Office patent file or records, but reserves all other copyright rights whatsoever.

FIG. 1 is a front, right, top perspective view of a tote bag.

FIG. 2 is a front elevation view thereof.

FIG. 3 is a rear elevation view thereof.

FIG. 4 is a right side elevation view thereof.

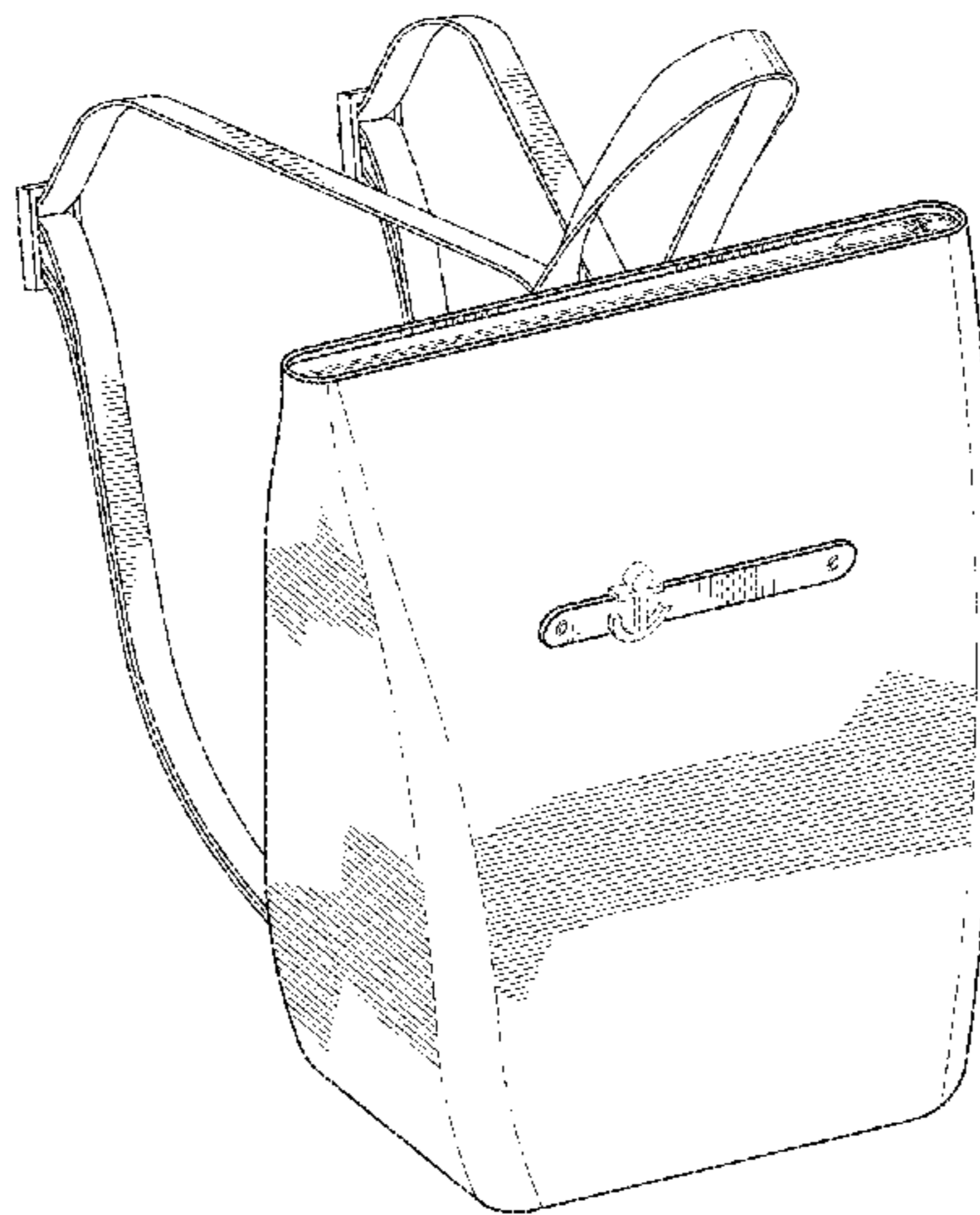
FIG. 5 is a left side elevation view thereof.

FIG. 6 is a top plan view thereof; and,

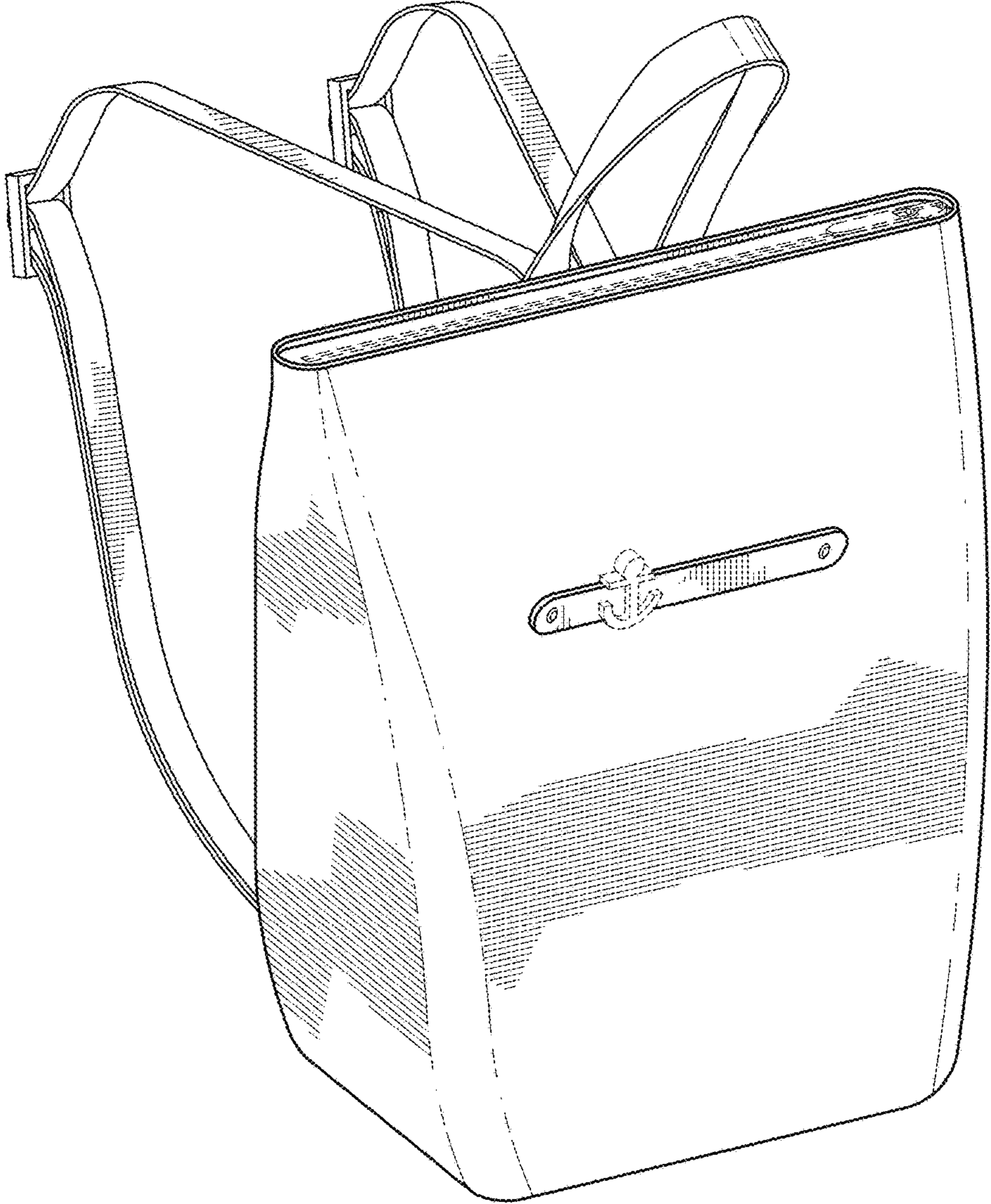
FIG. 7 is a bottom plan view thereof.

The broken lines shown in the drawings are for the purpose of illustrating portions of a tote bag and form no part of the claim.

**1 Claim, 7 Drawing Sheets**



*FIG. 1*



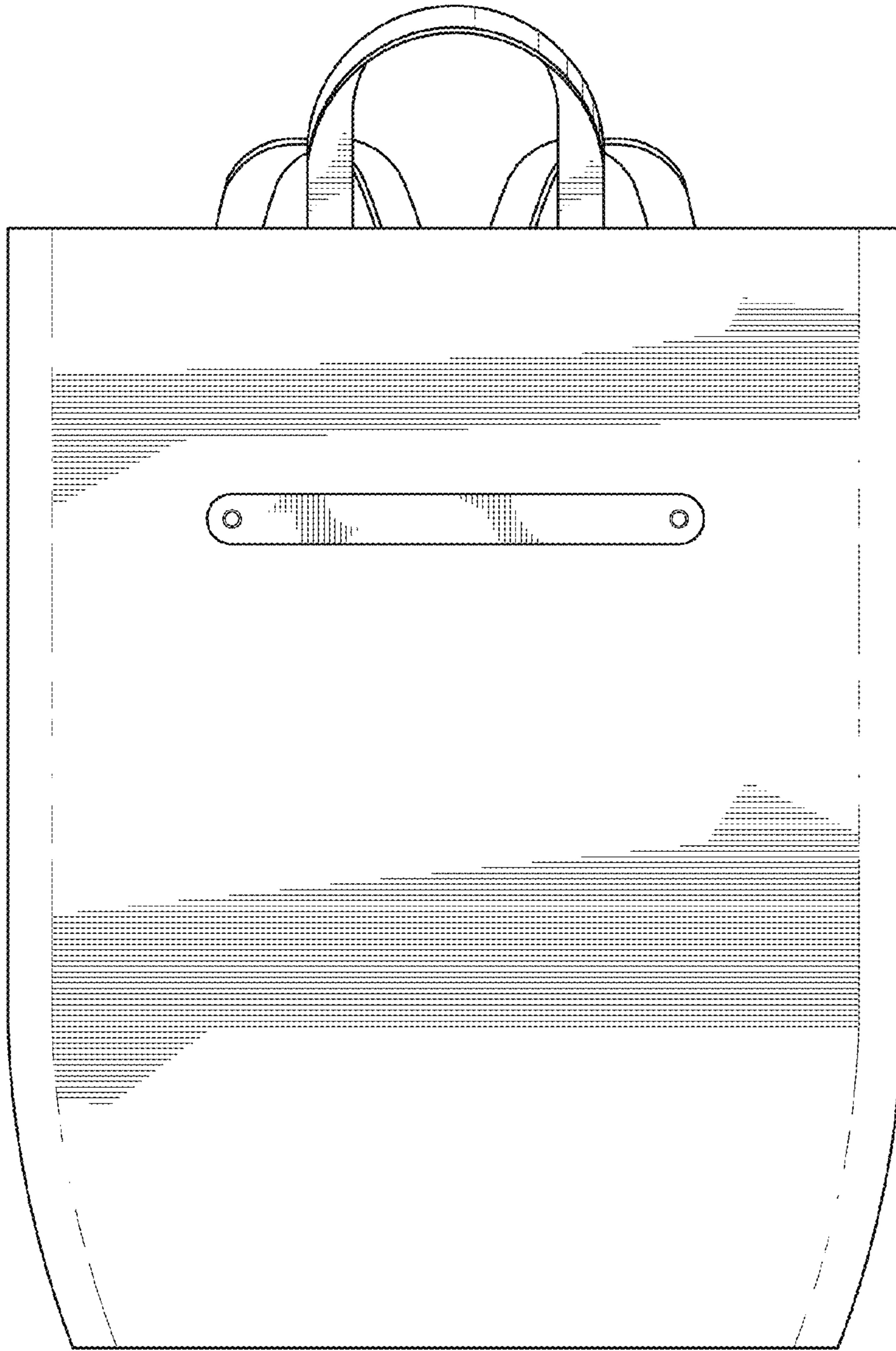
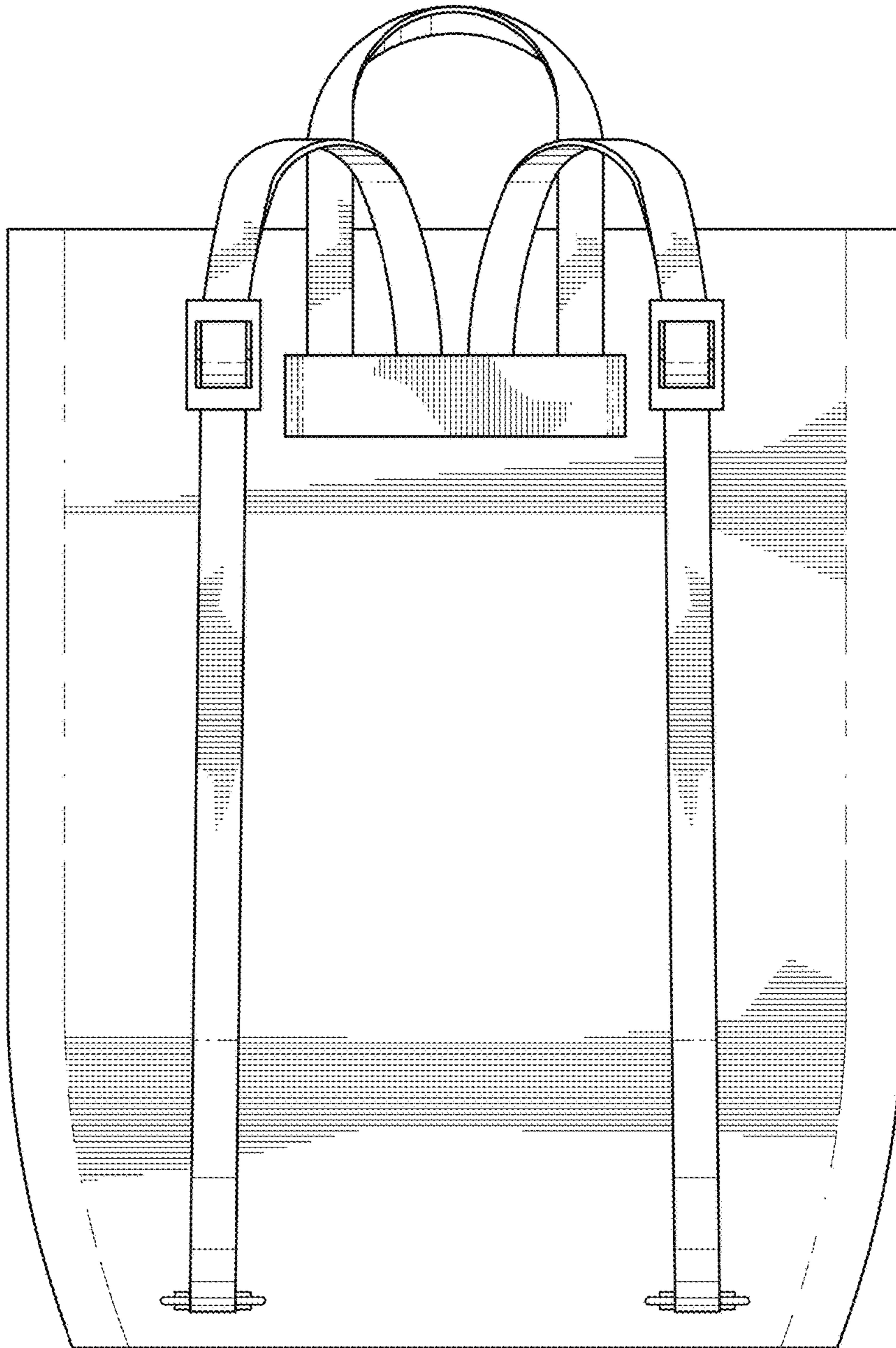


FIG. 2



*FIG. 3*

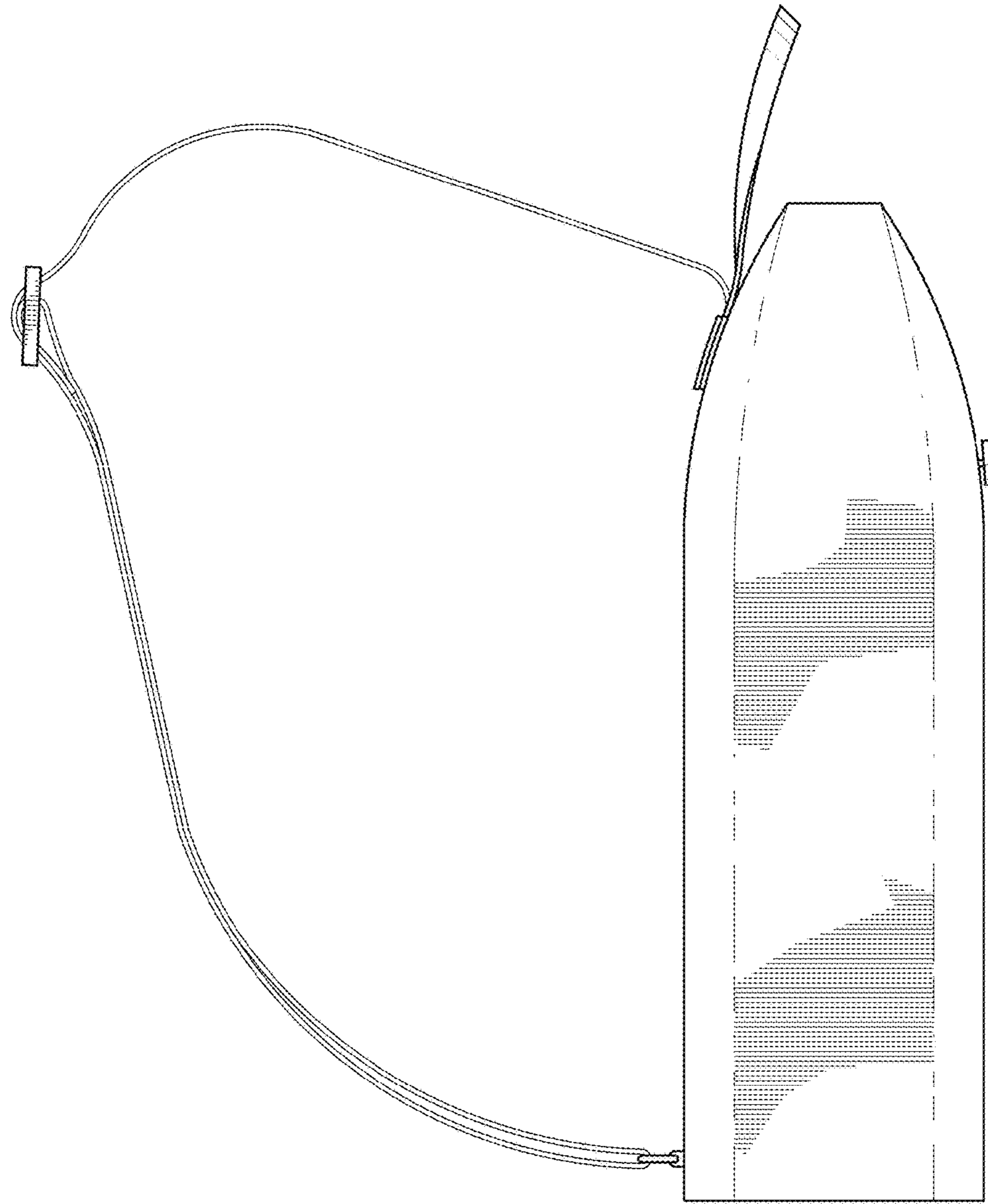


FIG. 4

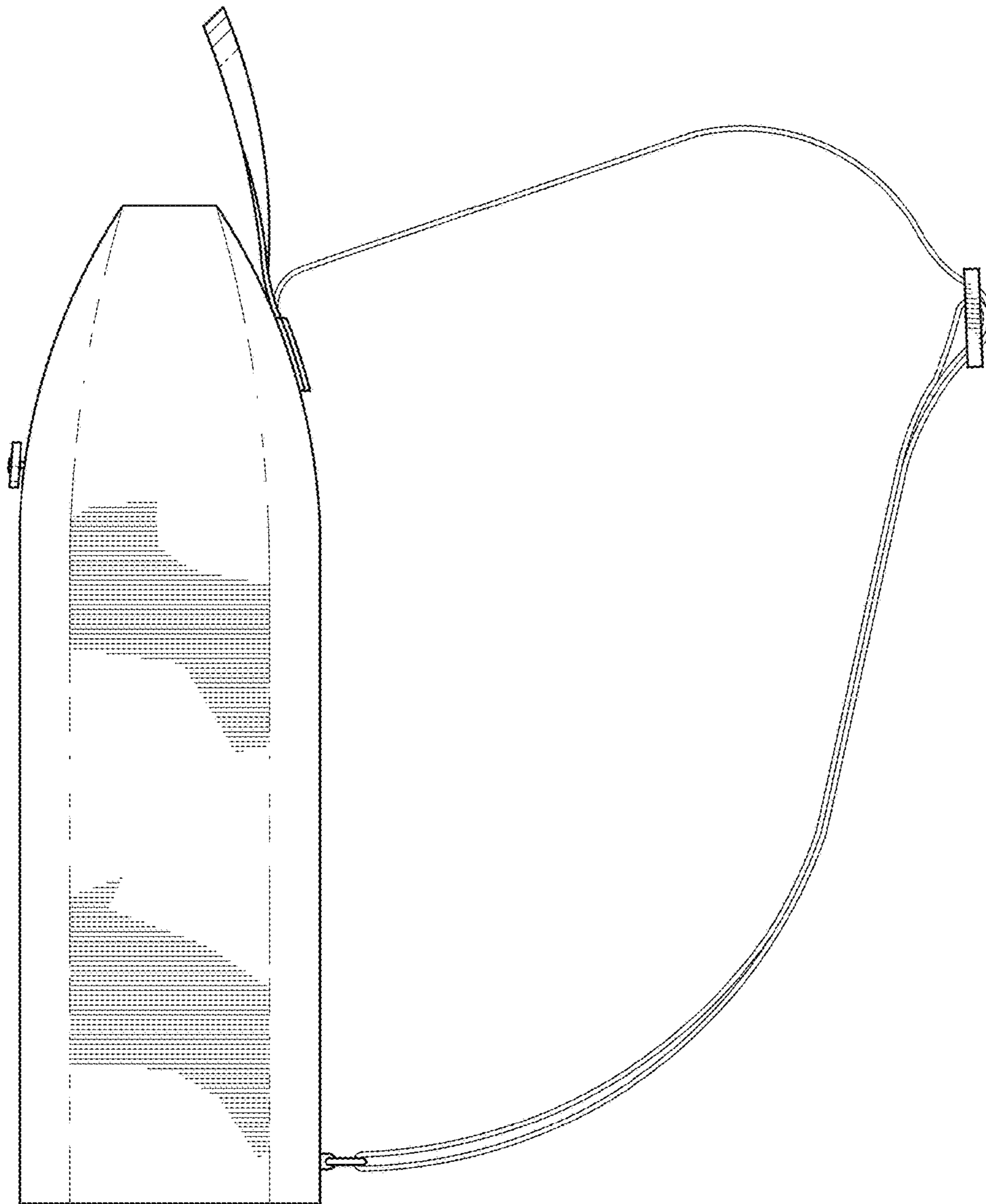
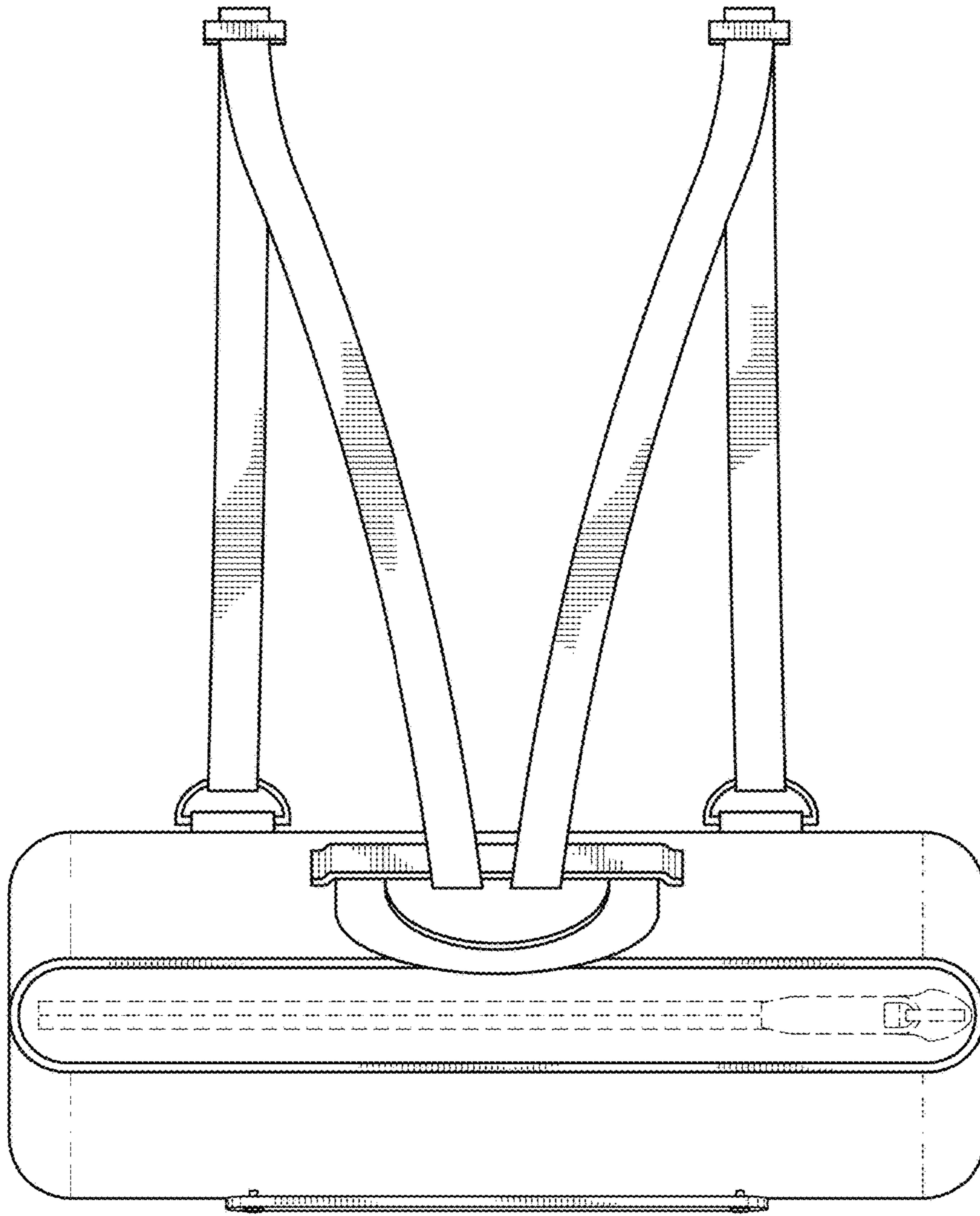


FIG. 5



*FIG. 6*

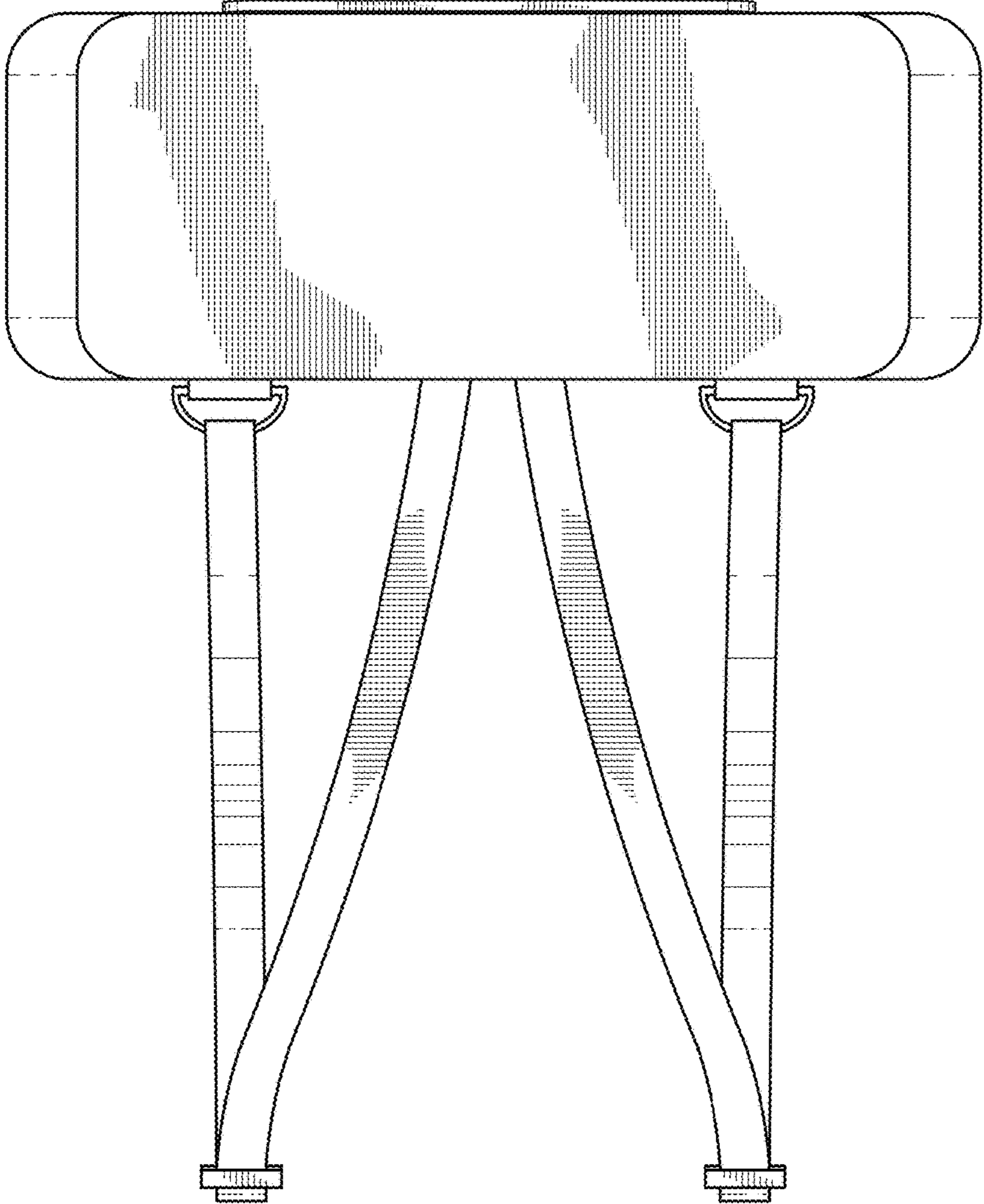


FIG. 7