



US00D828015S

(12) **United States Design Patent** (10) **Patent No.:** **US D828,015 S**  
**Belitz et al.** (45) **Date of Patent:** **\*\* Sep. 11, 2018**

(54) **MUSICAL INSTRUMENT CASE**  
(71) Applicant: **SWIFT DISTRIBUTION, LLC**,  
Loveland, CO (US)  
(72) Inventors: **Michael J. Belitz**, Cherry Hills Village,  
CO (US); **Patrick Michael Bertsch**,  
Thornton, CO (US)  
(\*\*) Term: **15 Years**  
(21) Appl. No.: **35/001,270**  
(22) Filed: **Sep. 29, 2016**  
(80) **Hague Agreement Data**  
Int. Filing Date: **Sep. 29, 2016**  
Int. Reg. No.: **DM/093554**  
Int. Reg. Date: **Sep. 29, 2016**  
Int. Reg. Pub. Date: **Dec. 2, 2016**  
(51) **LOC (11) Cl.** ..... **03-01**  
(52) **U.S. Cl.**  
USPC ..... **D3/204**  
(58) **Field of Classification Search**  
USPC ..... D3/204; D9/665; D17/17-20, 24, 99  
CPC ..... G10G 5/00; G10G 5/005  
See application file for complete search history.

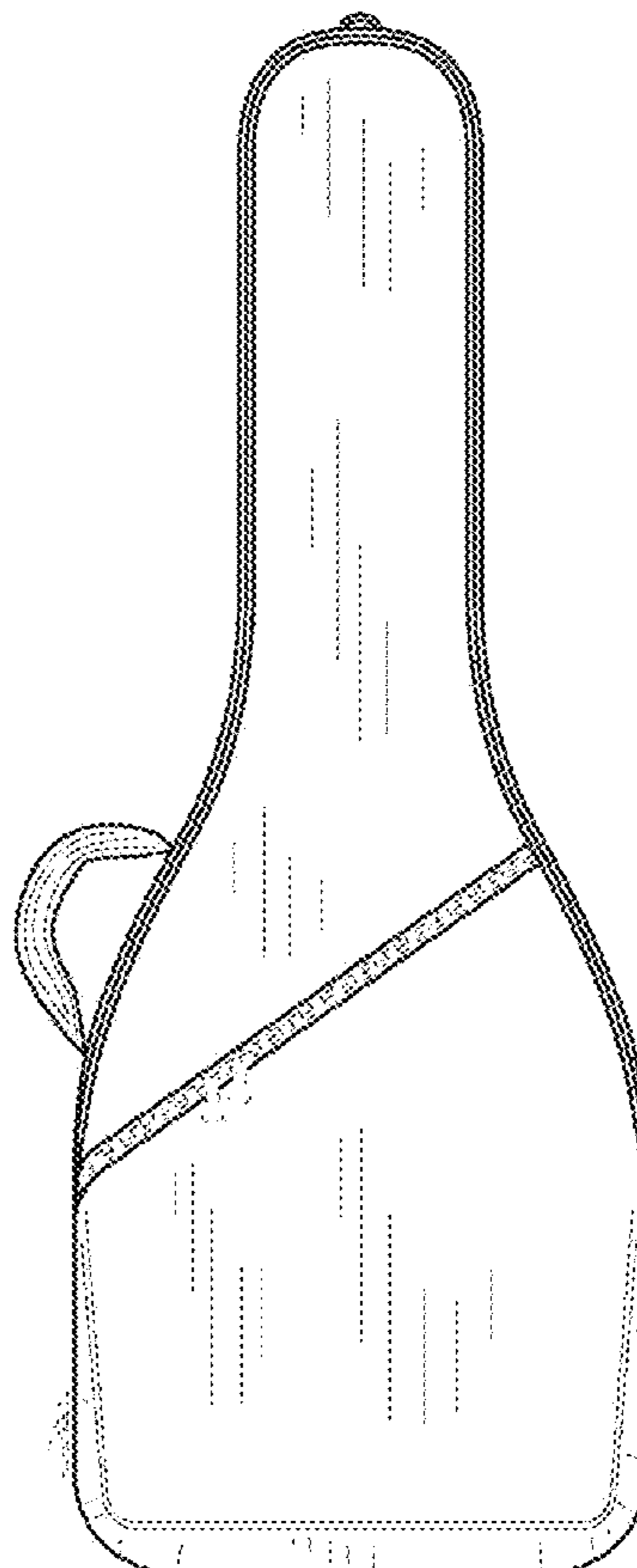
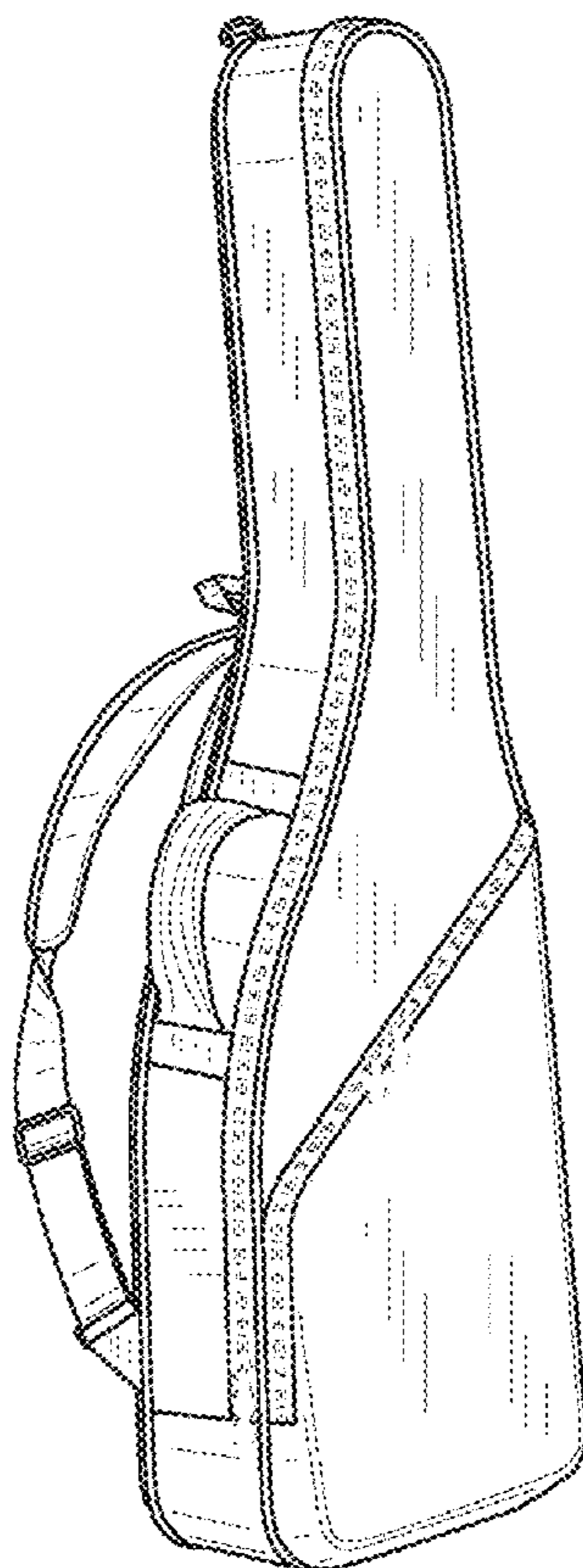
(56) **References Cited**  
U.S. PATENT DOCUMENTS  
D250,732 S \* 1/1979 Goldschmidt ..... D3/204  
D259,900 S \* 7/1981 Jacques ..... D3/204  
D269,922 S \* 8/1983 Dembicks ..... D3/204  
D758,713 S \* 6/2016 Bailey, II ..... D3/204  
D795,567 S \* 8/2017 Goetz ..... D3/204

\* cited by examiner  
*Primary Examiner* — Michael A. Pratt  
(74) *Attorney, Agent, or Firm* — Talus Law Group LLC

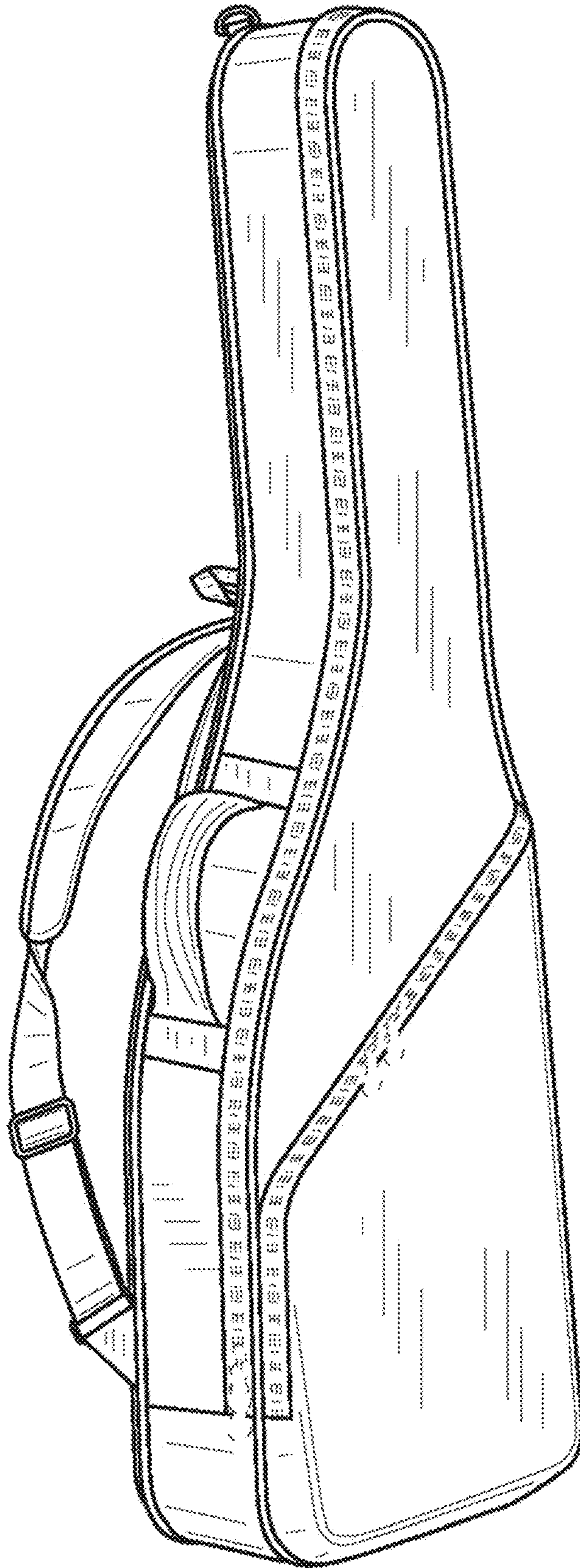
(57) **CLAIM**  
The ornamental design for a musical instrument case, as shown and described.

**DESCRIPTION**  
1. Musical instrument case  
1.1 : Perspective  
1.2 : Front  
1.3 : Back  
1.4 : Right  
1.5 : Left  
1.6 : Top  
1.7 : Bottom  
The broken line showing in figures 1.1 through 1.7 is for the purpose of illustrating portions of the musical instrument case that forms no part of the claimed design.

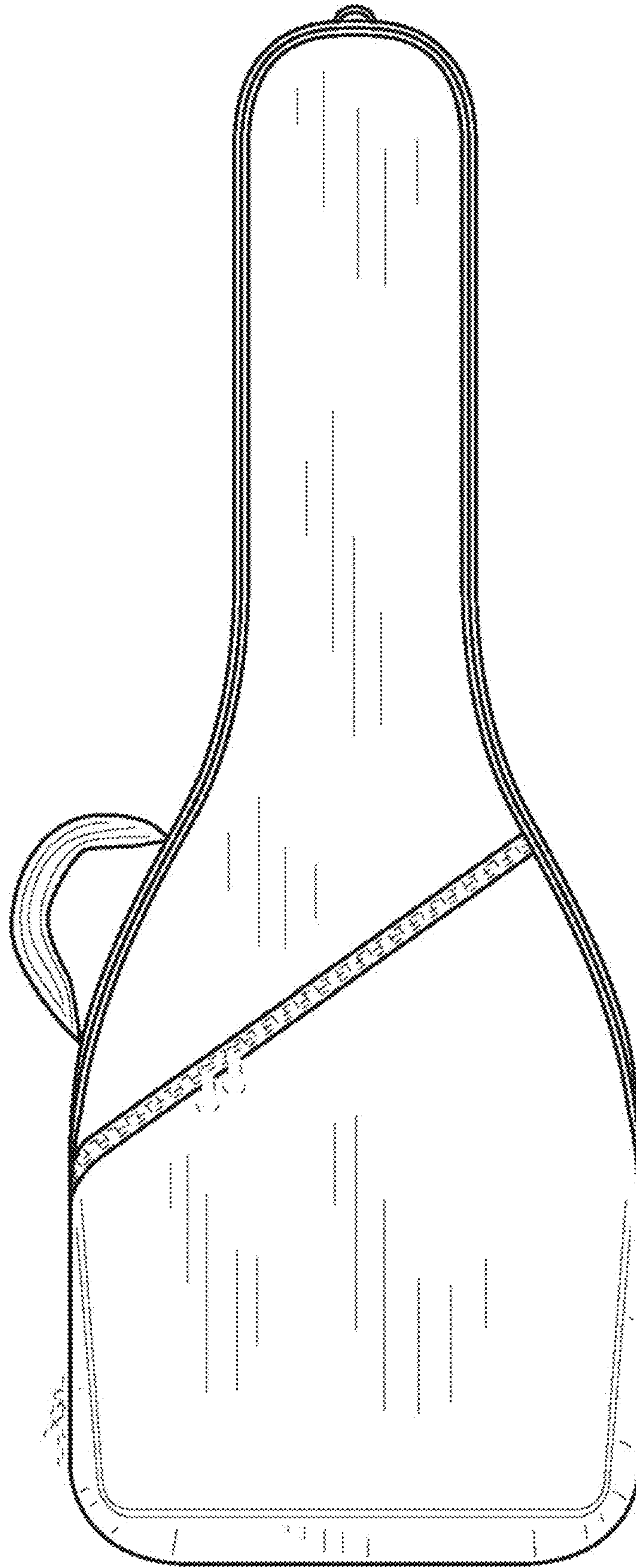
**1 Claim, 7 Drawing Sheets**



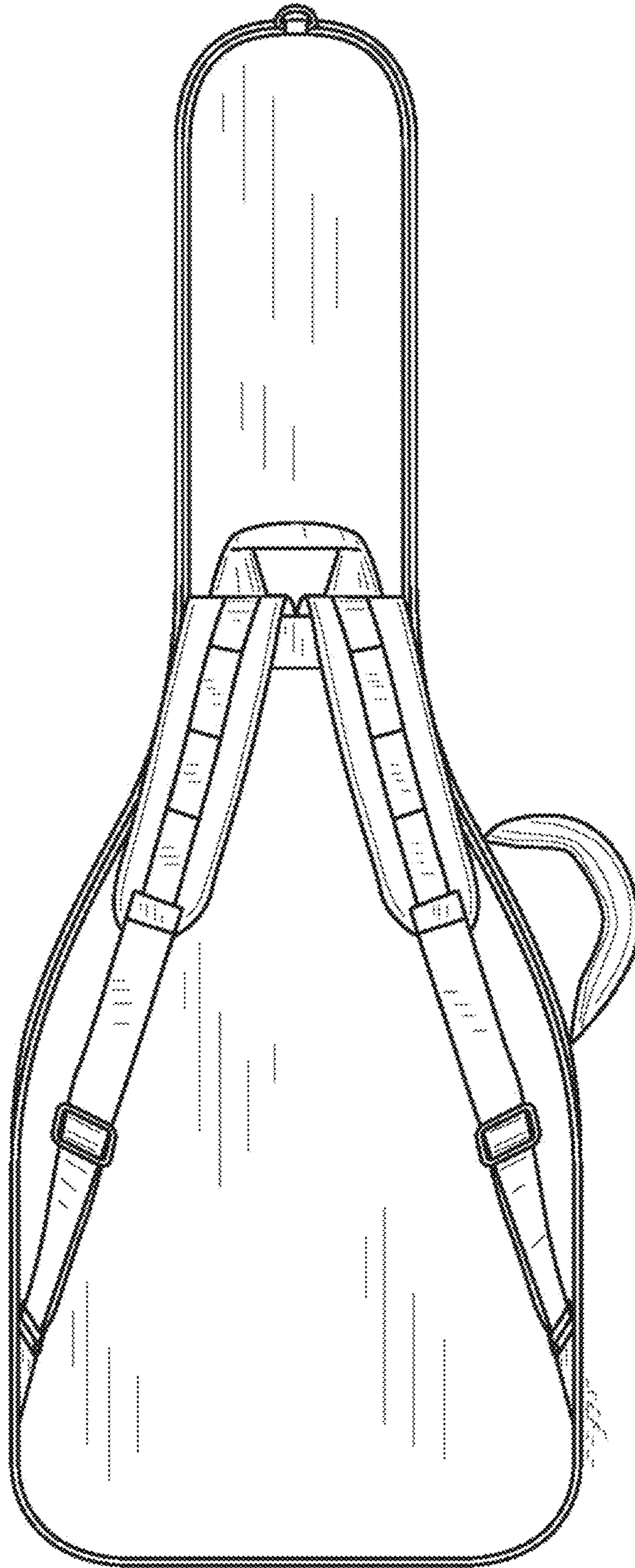
1.1



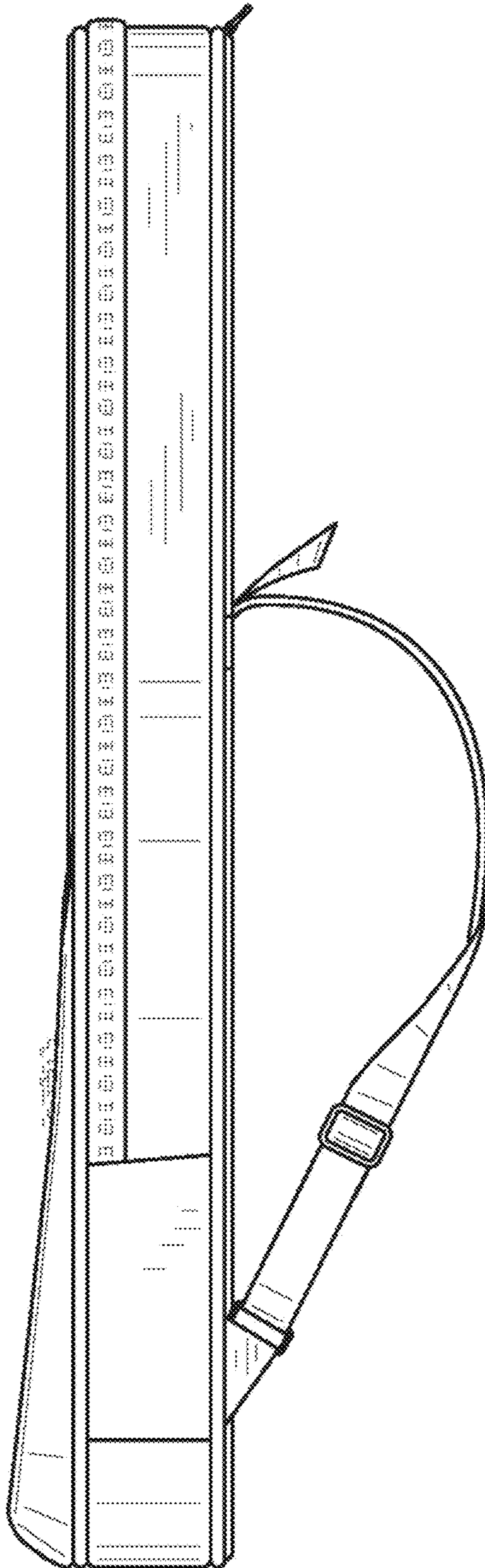
1.2



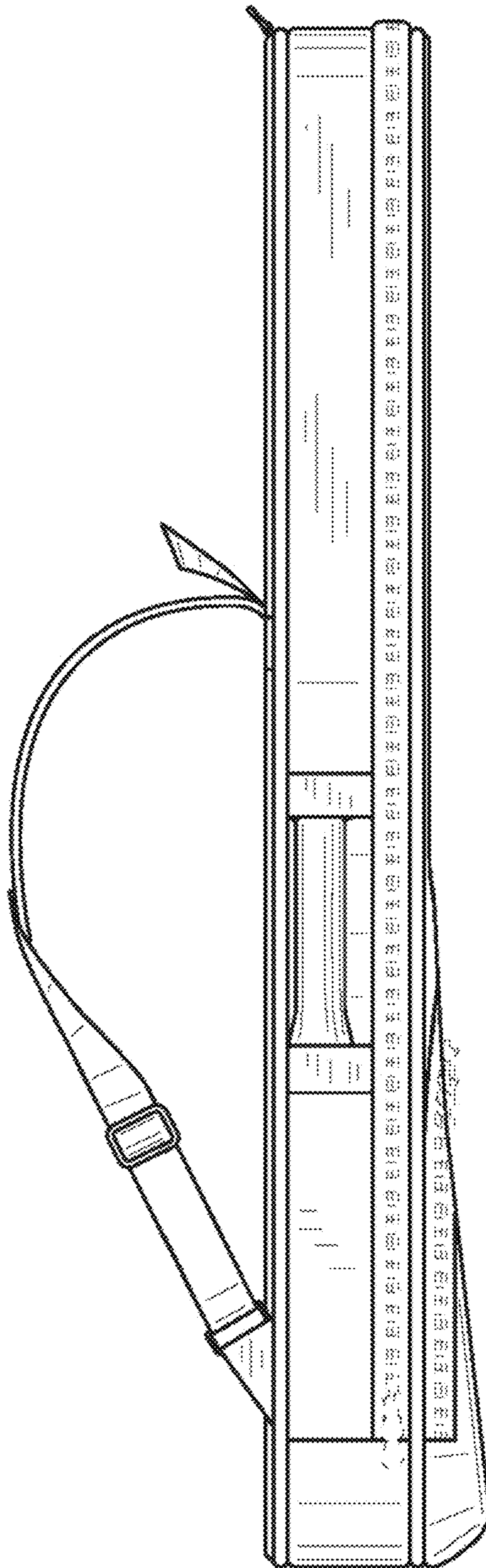
1.3



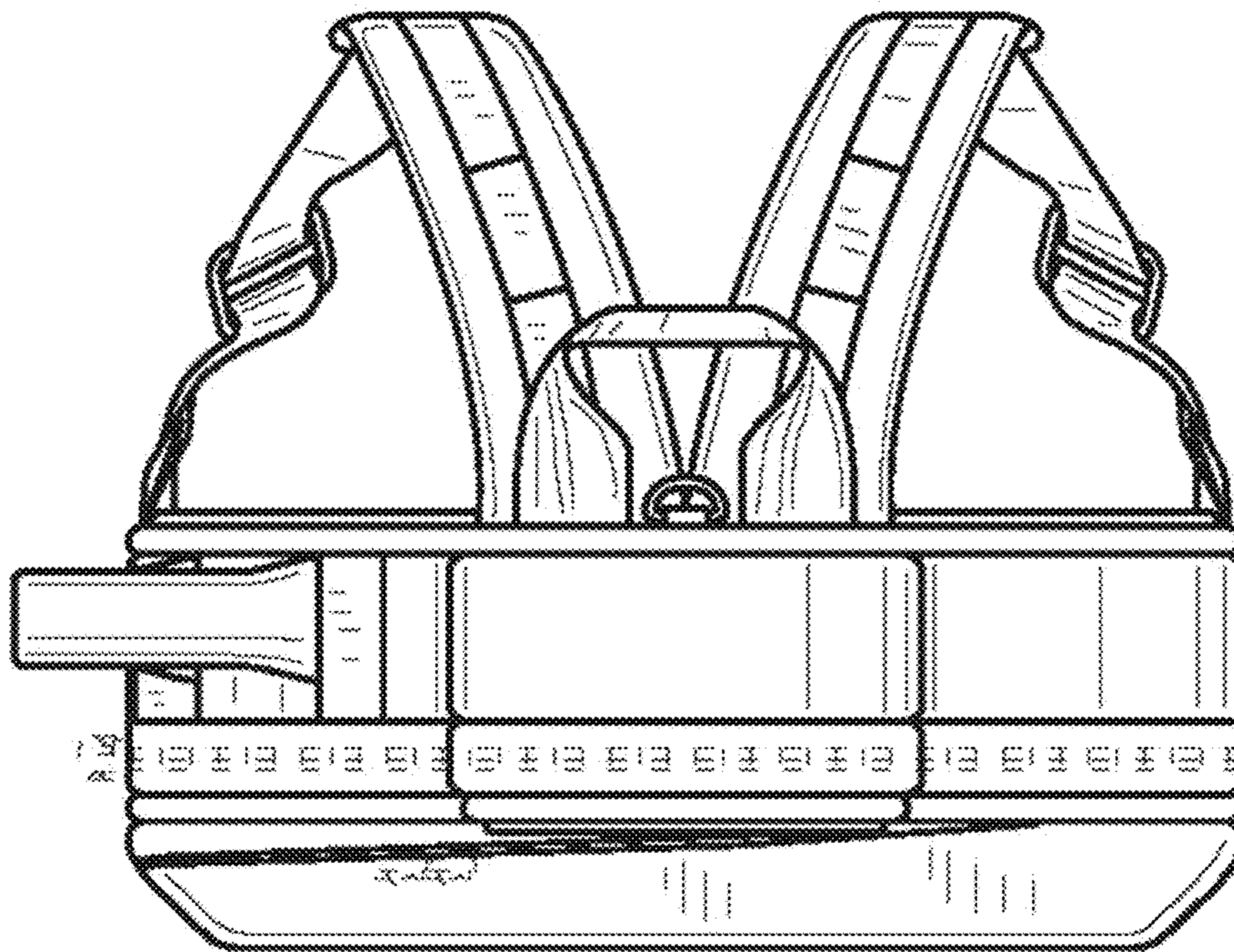
1.4



1.5



1.6



1.7

