



US00D828014S

(12) **United States Design Patent**
Van Wijngaarden et al.

(10) **Patent No.:** **US D828,014 S**
(45) **Date of Patent:** **** Sep. 11, 2018**

- (54) **TALL PILL CANISTER**
- (71) Applicant: **CANISTER SOLUTIONS B.V.**,
Driebergen-Rijsenburg (NL)
- (72) Inventors: **Caroline Van Wijngaarden**,
Driebergen-Rijsenburg (NL); **Arie Van**
Wijngaarden, Driebergen-Rijsenburg
(NL)
- (73) Assignee: **CANISTER SOLUTIONS B.V.**,
Driebergen-Rijsenburg (DE)
- (**) Term: **15 Years**
- (21) Appl. No.: **29/614,018**

- 4,811,764 A * 3/1989 McLaughlin A61J 7/0084
141/104
- 5,170,380 A * 12/1992 Howard A61J 7/0472
221/15
- D356,904 S * 4/1995 Wolff D24/185
- 5,782,359 A * 7/1998 McAllister B65D 41/06
206/1.5
- D414,969 S * 10/1999 Marino D6/515
- 5,967,350 A * 10/1999 Jones B65D 41/06
116/309
- 6,004,020 A * 12/1999 Bartur A61J 7/0481
221/123
- D424,850 S * 5/2000 Handfield D6/515
- D435,991 S * 1/2001 Handfield D6/515
- 6,175,779 B1 * 1/2001 Barrett A61G 12/001
221/2
- 6,250,497 B1 * 6/2001 Pearson A61J 7/02
221/164

- (22) Filed: **Aug. 15, 2017**
- (30) **Foreign Application Priority Data**
Feb. 16, 2017 (EP) 003755263-0003
- (51) **LOC (11) Cl.** **03-01**
- (52) **U.S. Cl.**
USPC **D3/203.3**
- (58) **Field of Classification Search**
USPC D3/201, 203.1, 203.2, 203.3, 203.4;
D6/512, 515
CPC A61J 7/0084; A61J 7/00; A61J 7/02; A61J
1/03; A61J 7/0076; B65D 83/0454; B65D
83/04; B65D 83/0409
See application file for complete search history.

- (56) **References Cited**
U.S. PATENT DOCUMENTS
3,831,808 A * 8/1974 Bender A61J 7/04
221/197
3,921,804 A * 11/1975 Tester B65D 83/0463
206/515
4,697,856 A * 10/1987 Abraham A61G 12/00
211/163

(Continued)

Primary Examiner — John Windmuller
Assistant Examiner — Steven J Czyz
(74) *Attorney, Agent, or Firm* — Peretz Chesal &
Hermann, P.L.

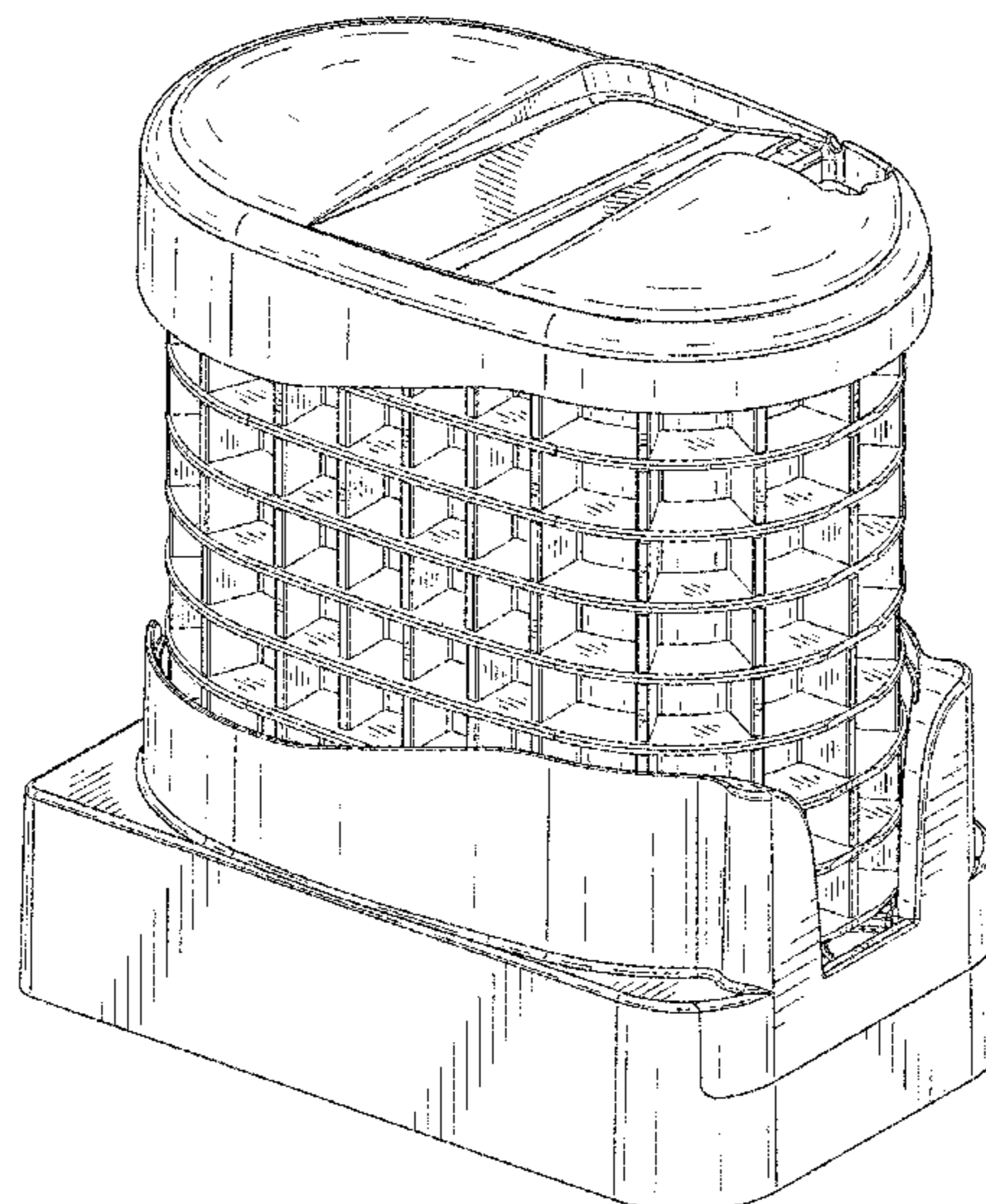
(57) **CLAIM**

The ornamental design for a tall pill canister, as shown and described.

DESCRIPTION

FIG. 1 is a top front perspective view of a pill canister;
FIG. 2 is a top back perspective view thereof;
FIG. 3 is a back side perspective view thereof;
FIG. 4 is a bottom side perspective thereof;
FIG. 5 is a top view thereof;
FIG. 6 is a bottom view thereof; and
FIG. 7 is a left side plan view thereof.
FIG. 8 is a right side plan view thereof.
FIG. 9 is a front plan view thereof; and,
FIG. 10 is a back plan view thereof.

1 Claim, 10 Drawing Sheets



(56)

References Cited

U.S. PATENT DOCUMENTS

6,439,406 B1 *	8/2002	Duhon	A47B 49/00	211/131.1
6,611,733 B1 *	8/2003	De La Huerga	A61J 1/1437	700/235
6,644,496 B1 *	11/2003	Ambrosio	G07F 11/40	221/124
D512,830 S *	12/2005	Higgins	D3/203.1	
D550,853 S *	9/2007	Jones	D18/34.1	
D555,893 S *	11/2007	Mulaw	D3/203.1	
D708,434 S *	7/2014	Deeb	D3/203.3	
D718,922 S *	12/2014	Lai	D3/203.2	
D718,923 S *	12/2014	Lai	D3/203.2	
D718,924 S *	12/2014	Lai	D3/203.2	
D718,925 S *	12/2014	Lai	D3/203.2	
D719,345 S *	12/2014	Lai	D3/203.2	
D772,597 S *	11/2016	Anich, Jr.	D6/515	
2003/0111467 A1 *	6/2003	Norman	A61J 1/00	220/23.6
2005/0061825 A1 *	3/2005	Willoughby	B65D 75/42	221/2
2006/0058724 A1 *	3/2006	Handfield	A61J 7/0084	604/20
2006/0266763 A1 *	11/2006	Svabo Bech	G07F 11/16	221/83
2008/0283542 A1 *	11/2008	Lanka	G06F 19/3462	221/6
2010/0030374 A1 *	2/2010	Saltsov	A61J 7/0084	700/225
2014/0183208 A1 *	7/2014	Bae	A61J 7/0084	221/91
2014/0263458 A1 *	9/2014	Solvell	A61J 7/0076	222/173
2014/0339252 A1 *	11/2014	Bae	G07F 17/0092	221/277
2014/0361032 A1 *	12/2014	Czarnek	A61J 7/02	221/1
2015/0342829 A1 *	12/2015	Solvell	A61J 7/0076	222/173
2017/0354573 A1 *	12/2017	Lee	A61J 7/0076	
2018/0029779 A1 *	2/2018	Go	B65D 83/0481	
2018/0085287 A1 *	3/2018	Kim	A61J 7/0084	

* cited by examiner

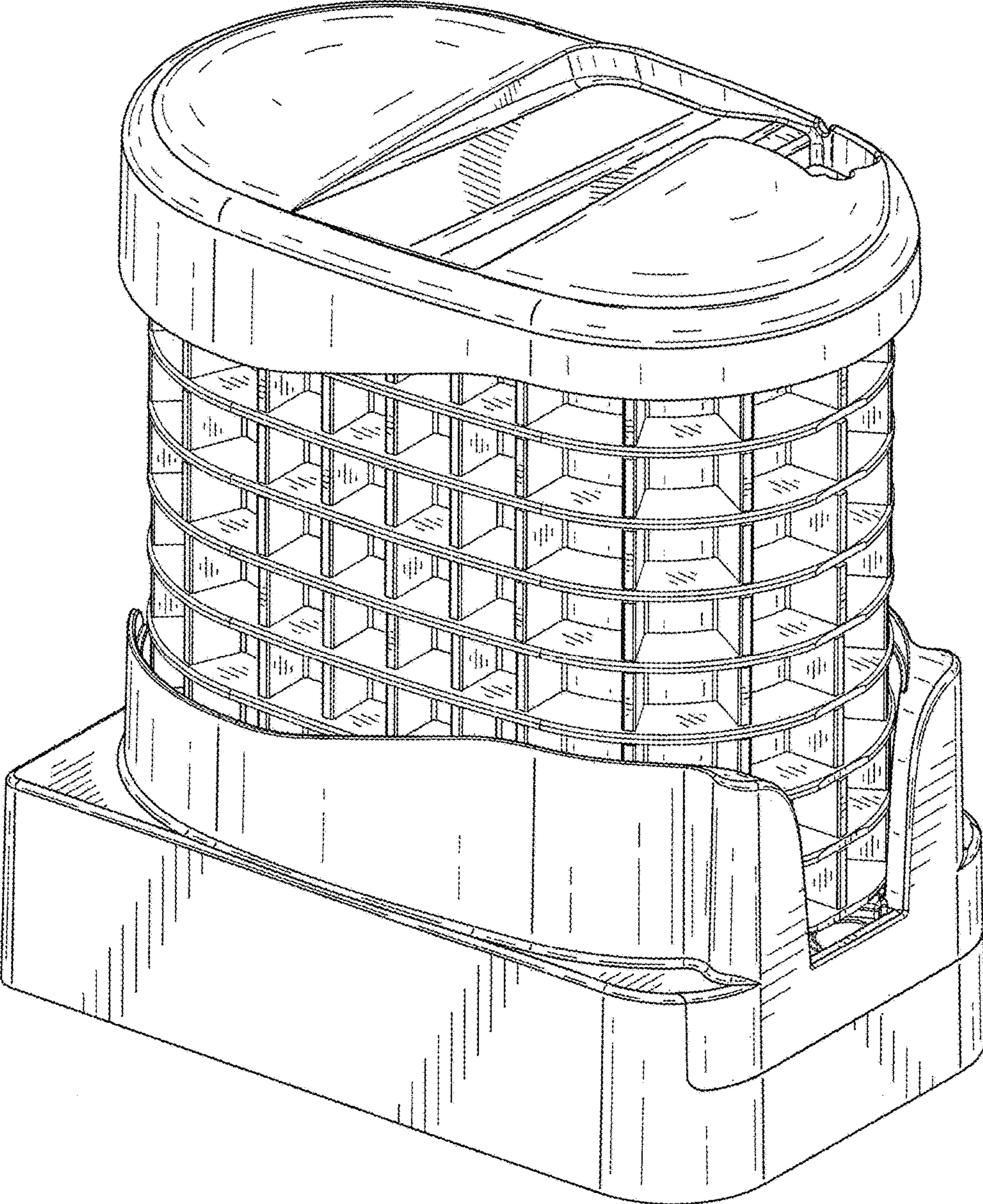


FIG. 1

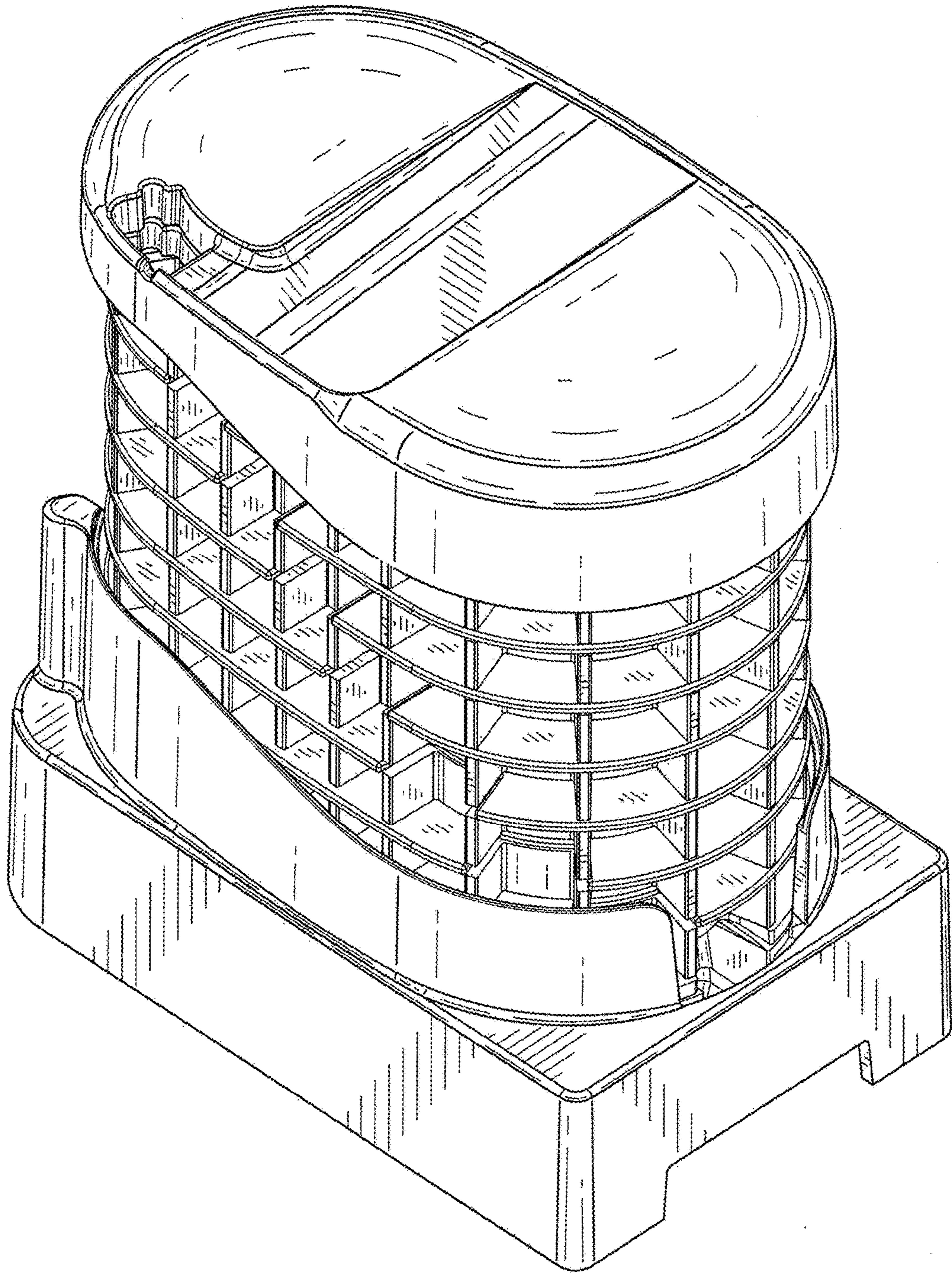


FIG. 2

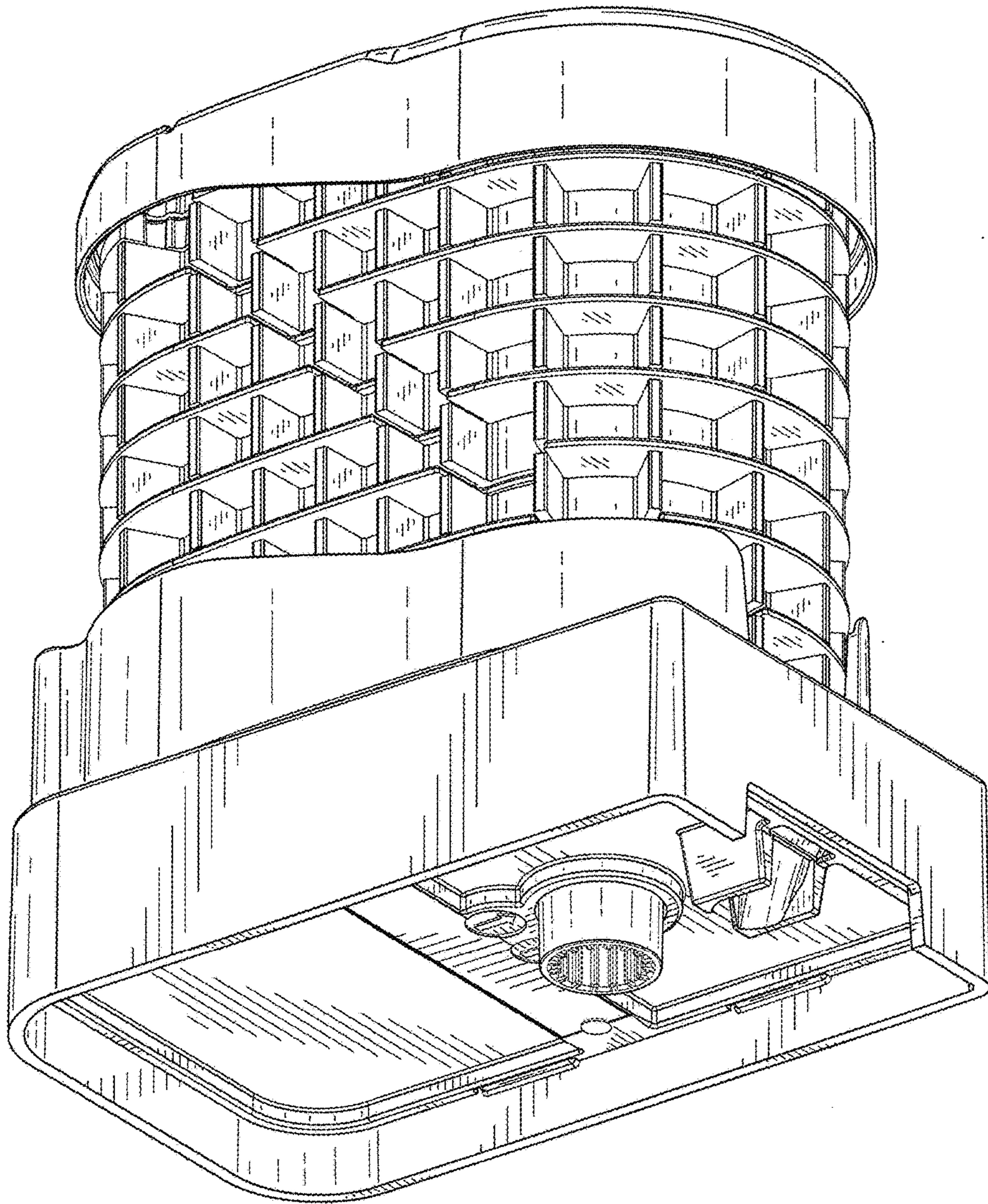


FIG. 3

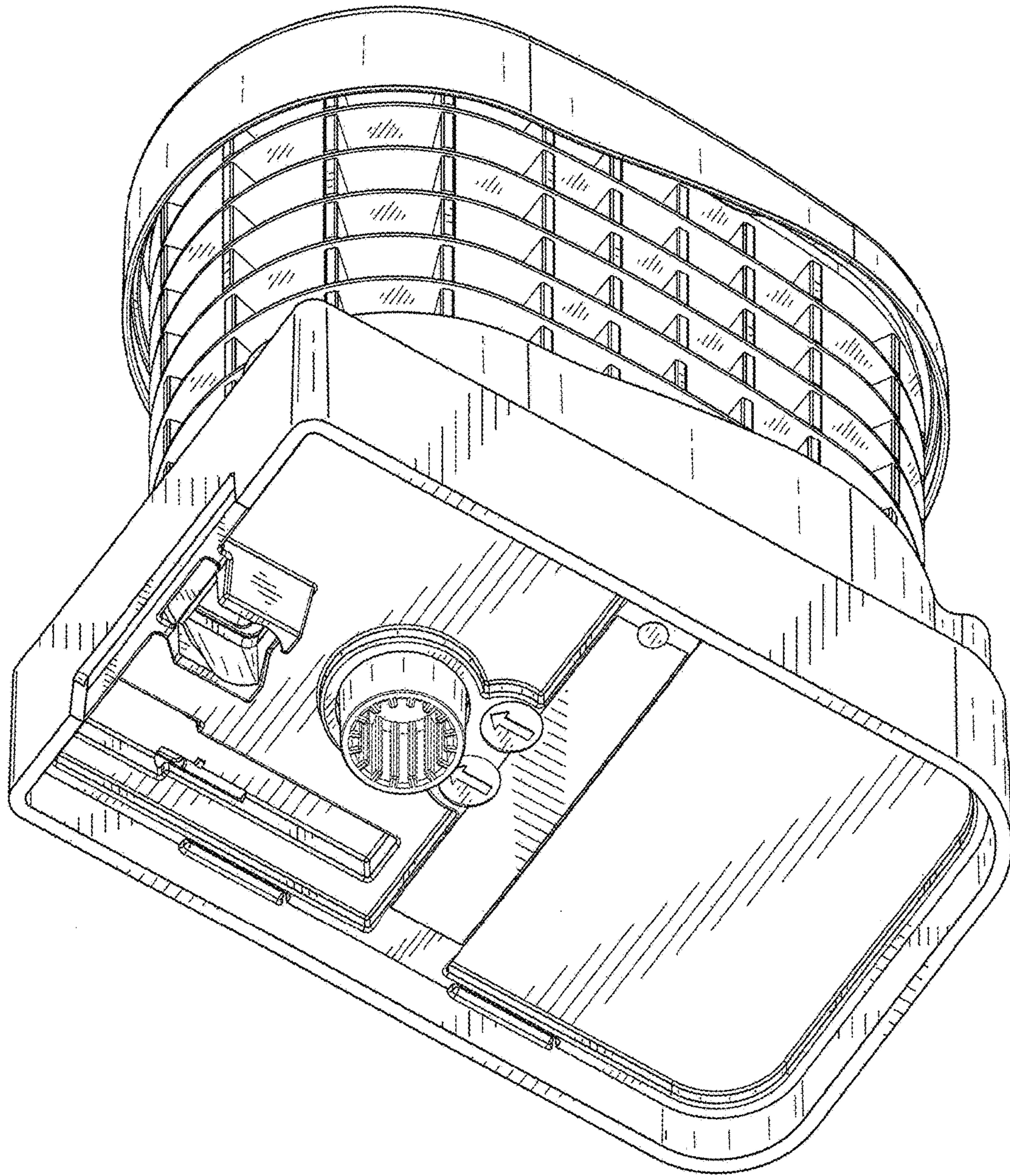


FIG. 4

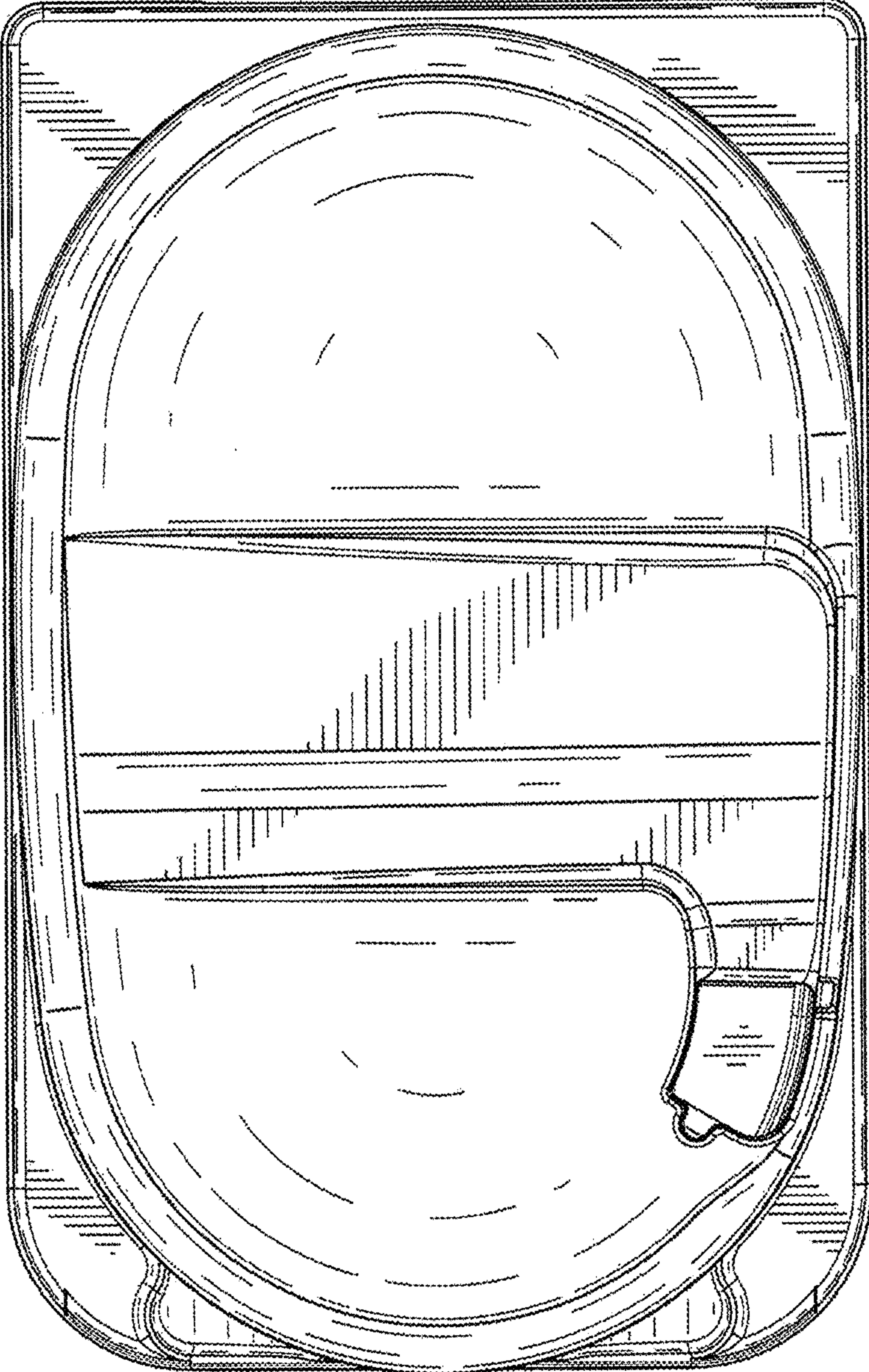


FIG. 5

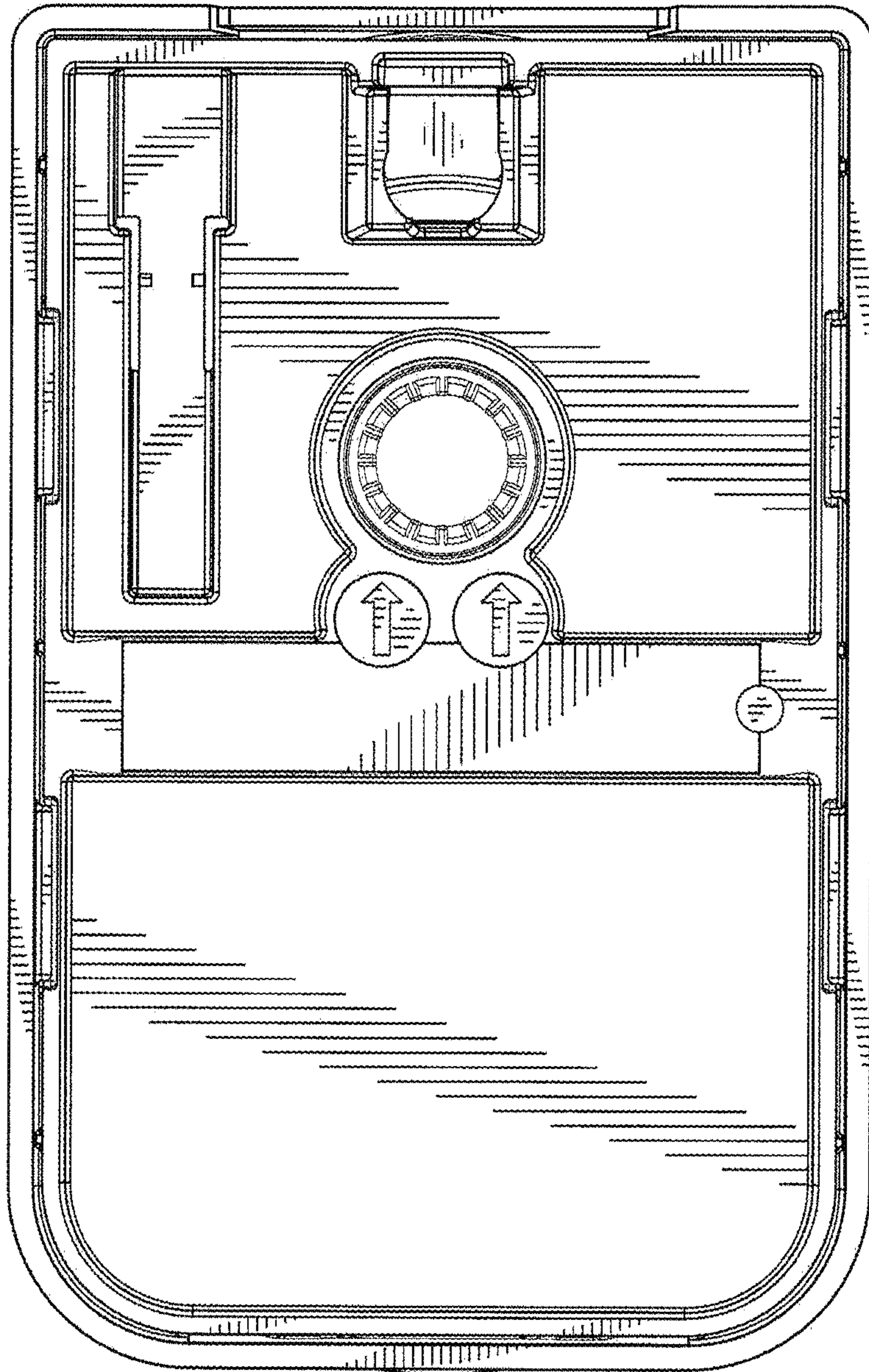


FIG. 6

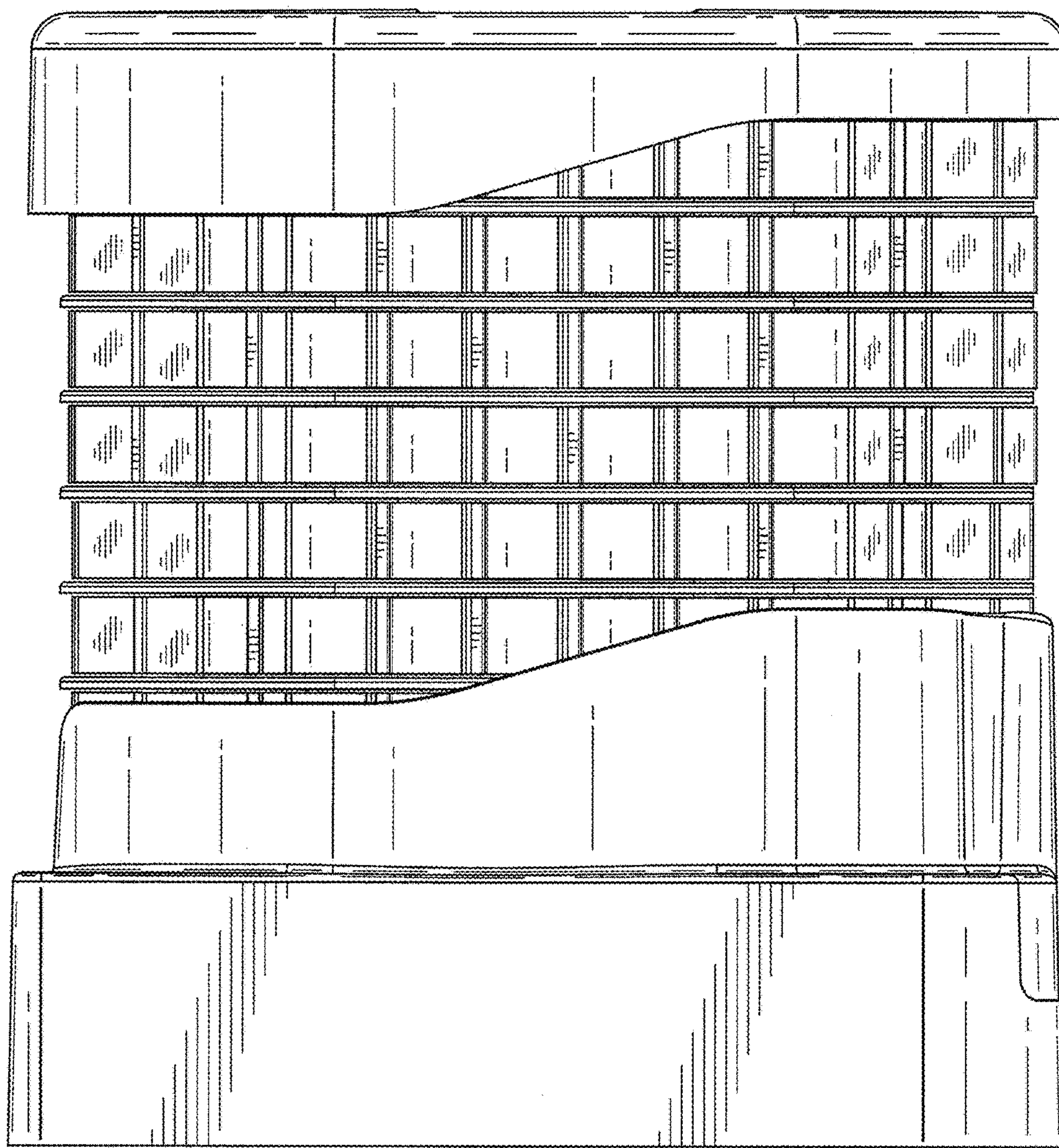


FIG. 7

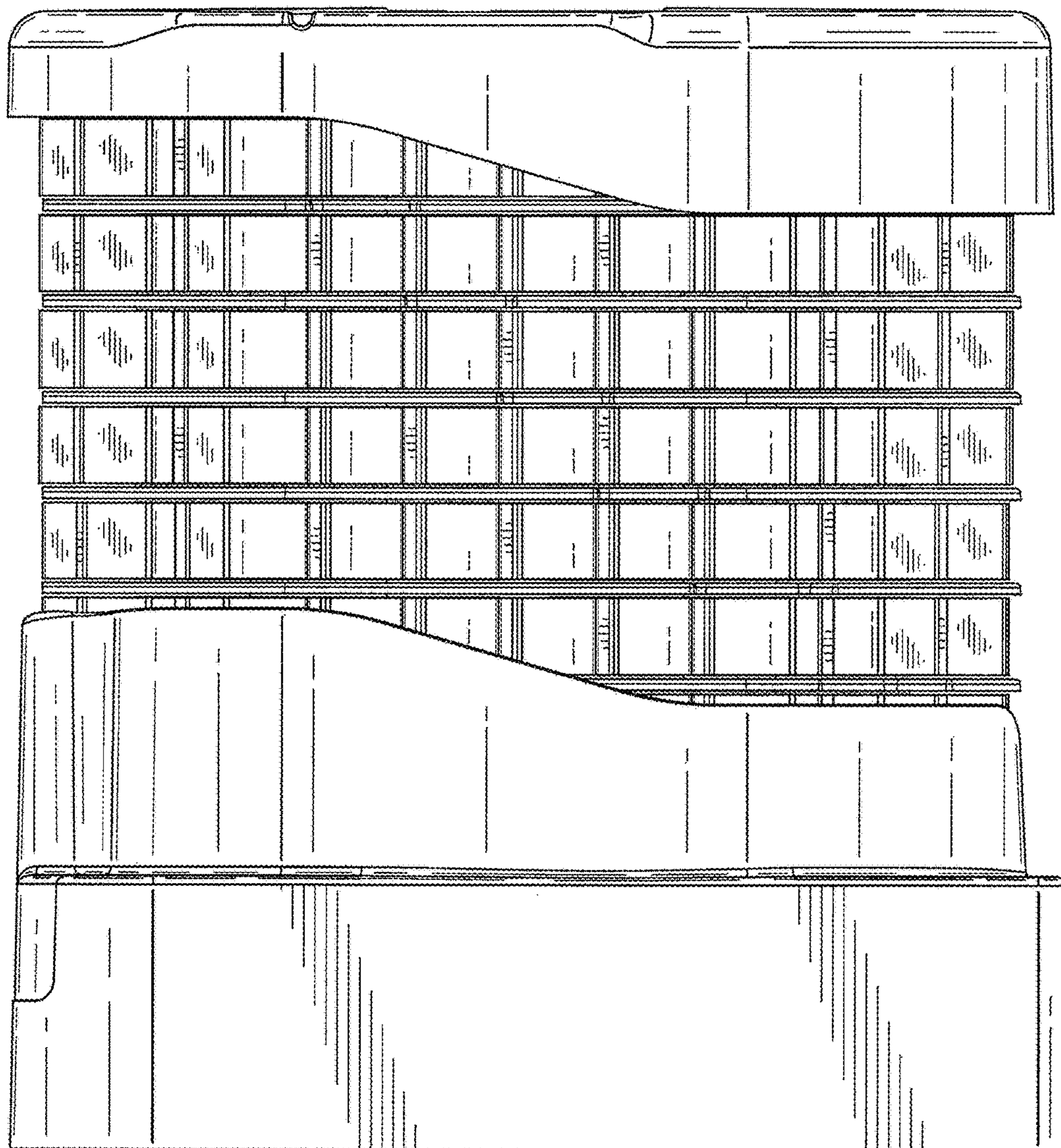


FIG. 8

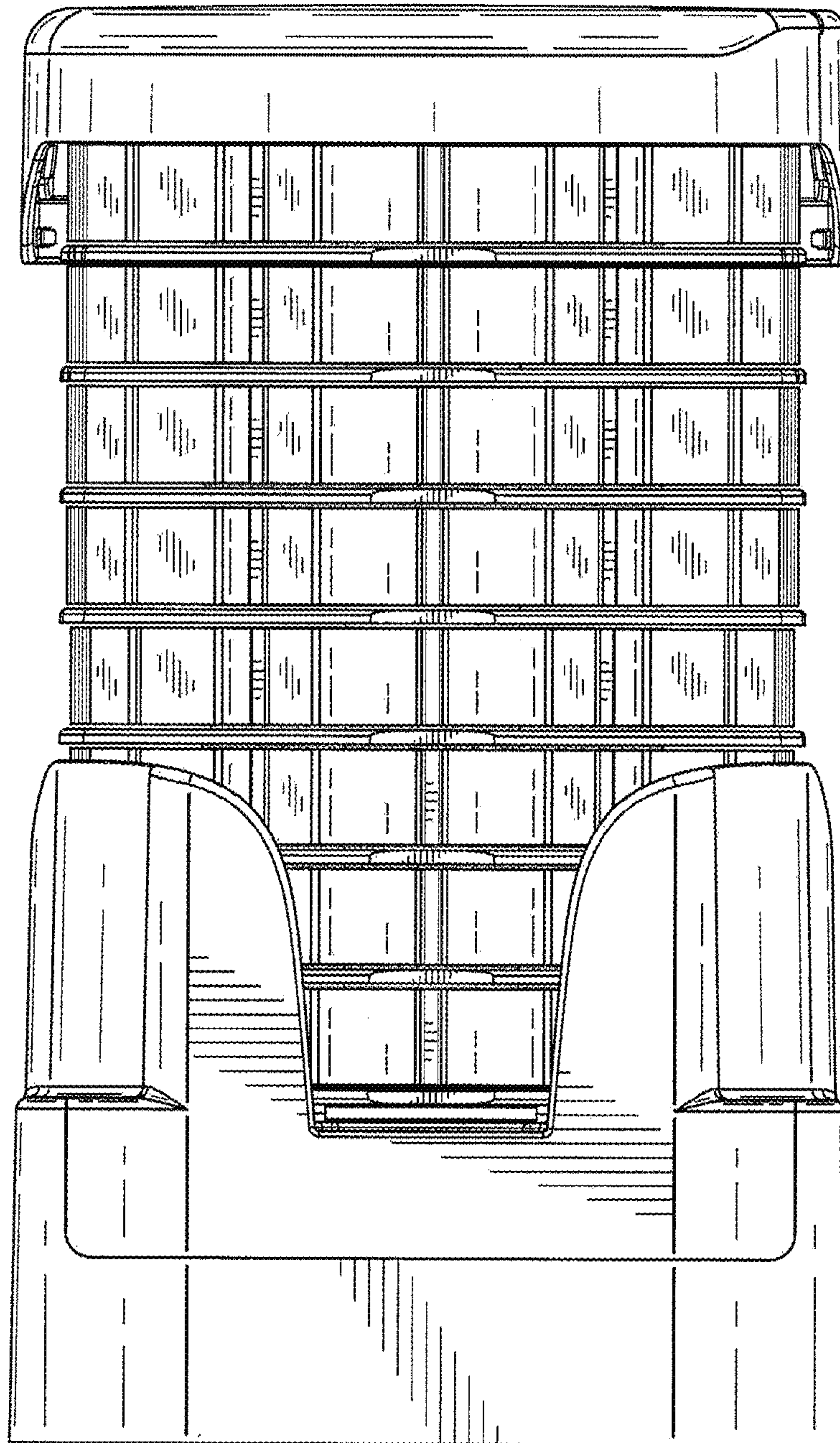


FIG. 9

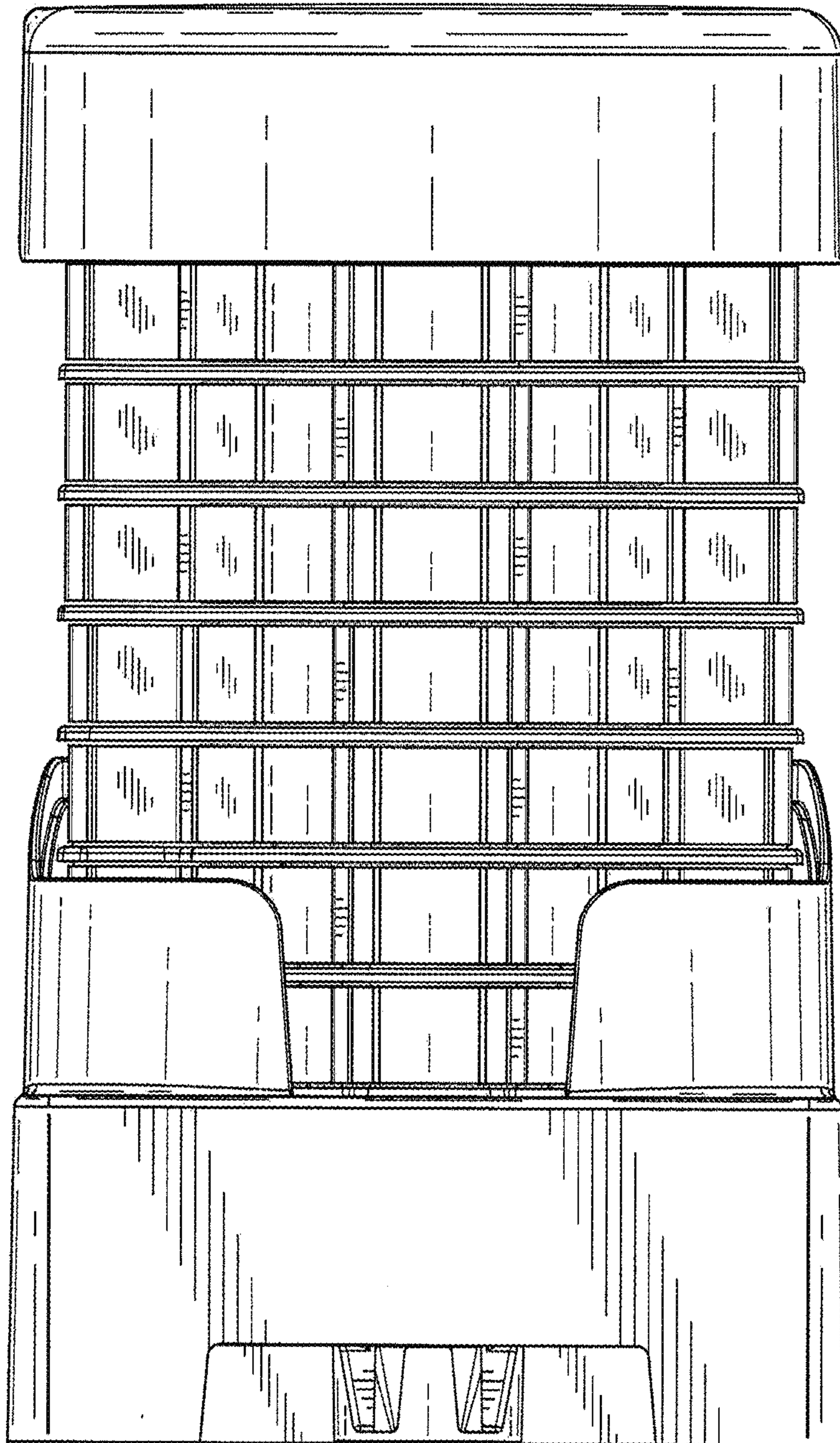


FIG. 10