



US00D828012S

(12) **United States Design Patent** (10) **Patent No.:** **US D828,012 S**
Suess et al. (45) **Date of Patent:** **** Sep. 11, 2018**

(54) **PILLBOX**
(71) Applicants: **Christon Suess**, Paramus, NJ (US);
Jeffrey Steel, Hoboken, NJ (US);
Jillian Walbroel, Woodland Park, NJ (US)
(72) Inventors: **Christon Suess**, Paramus, NJ (US);
Jeffrey Steel, Hoboken, NJ (US);
Jillian Walbroel, Woodland Park, NJ (US)
(73) Assignee: **Cotapaxi Custom Design and Manufacturing LLC**, Carlstadt, NJ (US)
(**) Term: **15 Years**

D528,782 S * 9/2006 Oas D3/203.3
D541,039 S * 4/2007 Stugelmeyer D3/203.3
D663,112 S * 7/2012 Fulmer Mason D3/203.3
D679,086 S * 4/2013 Liguori D3/203.3
D696,009 S * 12/2013 Priebe D3/203.3
D696,010 S * 12/2013 Priebe D3/203.3
D696,856 S * 1/2014 Priebe D3/203.3
D698,141 S * 1/2014 Priebe D3/203.3
D719,216 S * 12/2014 Jansen D19/33
D747,869 S * 1/2016 Priebe D3/203.3
D761,009 S * 7/2016 Jewell D3/203.3
D765,388 S * 9/2016 Suess D3/203.3
D778,173 S * 2/2017 Pisarevsky D3/203.3
2004/0081023 A1 * 4/2004 Ho A61J 7/0481
368/10
2006/0086641 A1 * 4/2006 Priebe A61J 1/03
206/538
2010/0044270 A1 * 2/2010 Noble A61J 7/04
206/538

(21) Appl. No.: **29/584,794**
(22) Filed: **Nov. 17, 2016**
(51) **LOC (11) Cl.** **03-01**
(52) **U.S. Cl.**
USPC **D3/203.3**
(58) **Field of Classification Search**
USPC D3/201, 203.1, 203.2, 203.3, 203.6,
D3/203.8; D9/756, 759, 760, 421
CPC A61J 1/03; A61J 7/0076; A61J 7/04; A61J
7/0084; B65D 83/04; B65D 2585/56
See application file for complete search history.

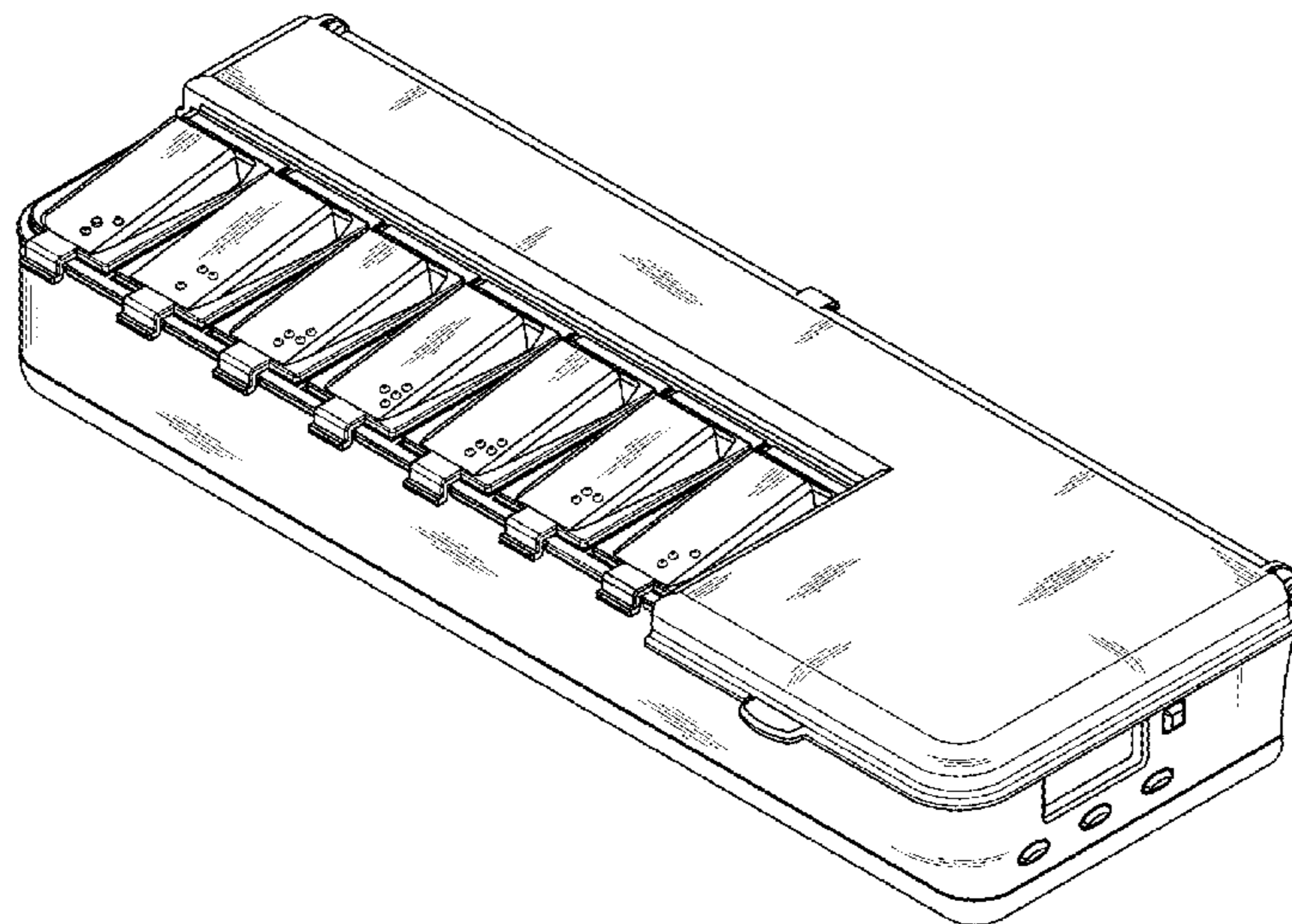
(56) **References Cited**
U.S. PATENT DOCUMENTS
D356,904 S * 4/1995 Wolff D24/185
D381,497 S * 7/1997 Legrand D3/201
D393,203 S * 4/1998 Saltzman D24/226
D402,552 S * 12/1998 Reymond D3/203.3
D423,772 S * 5/2000 Cooper D3/201
D430,392 S * 9/2000 Noble D3/201
7,004,324 B1 * 2/2006 Delorio A61J 7/0481
206/534

(Continued)
Primary Examiner — John Windmuller
Assistant Examiner — Steven J Czyz
(74) *Attorney, Agent, or Firm* — Steven E. Shapiro

(57) **CLAIM**
The ornamental design for a pillbox, as shown and described.

DESCRIPTION
FIG. 1 is a top, right, front perspective view of a pillbox;
FIG. 2 is a top, right, rear perspective view of the pillbox;
FIG. 3 is a right side view of the pillbox;
FIG. 4 is a left side view of the pillbox;
FIG. 5 is a rear view of the pillbox;
FIG. 6 is a front view of the pillbox;
FIG. 7 is a top view of the pillbox; and,
FIG. 8 is a bottom view of the pillbox.
The details shown in broken lines form no part of the claimed design.

1 Claim, 8 Drawing Sheets



(56)

References Cited

U.S. PATENT DOCUMENTS

2014/0251863 A1* 9/2014 Priebe A61J 1/03
206/534
2015/0048102 A1* 2/2015 Dickie A61J 1/03
221/2
2016/0158109 A1* 6/2016 Nova G06F 19/3462
206/534

* cited by examiner

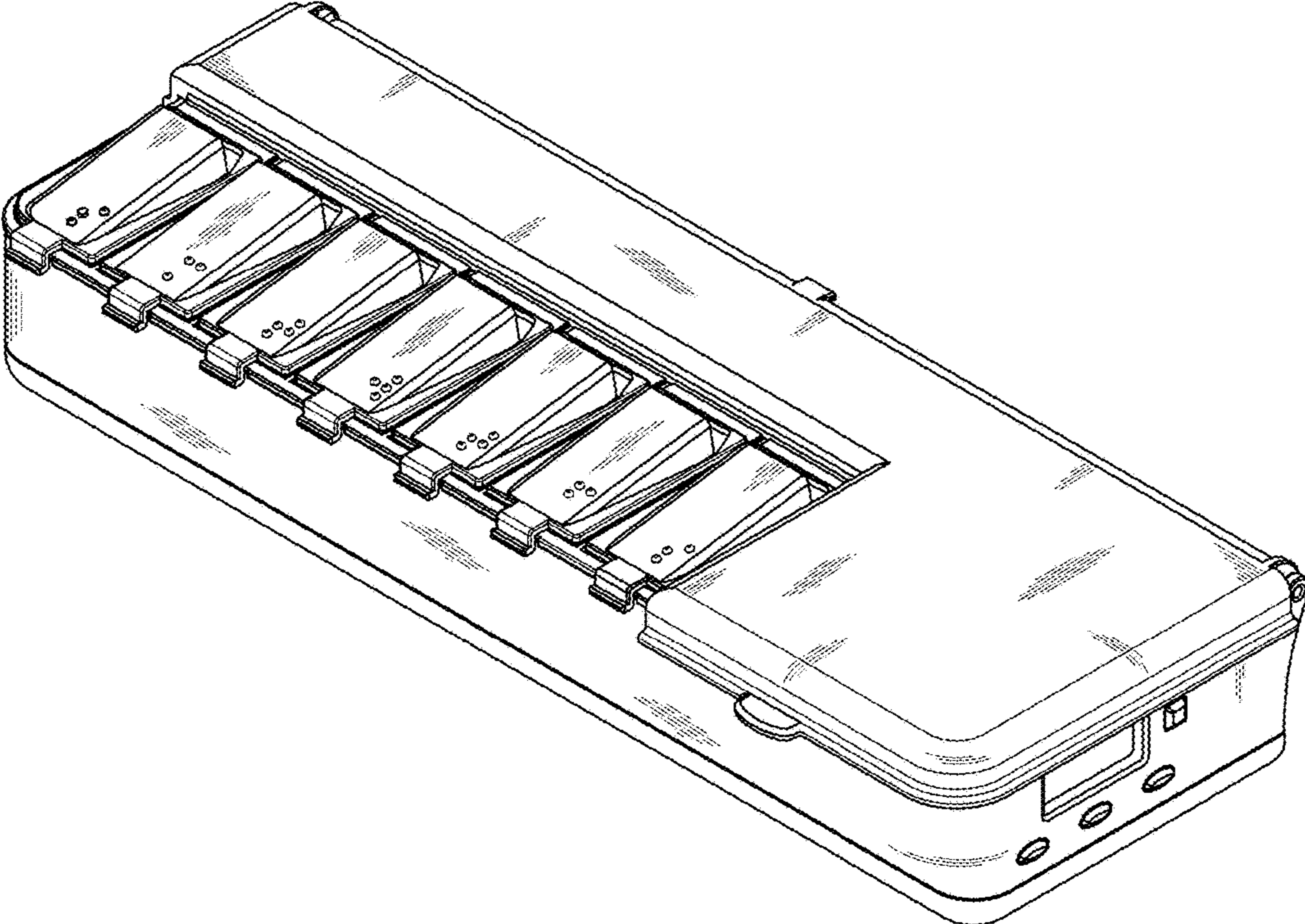


FIG. 1

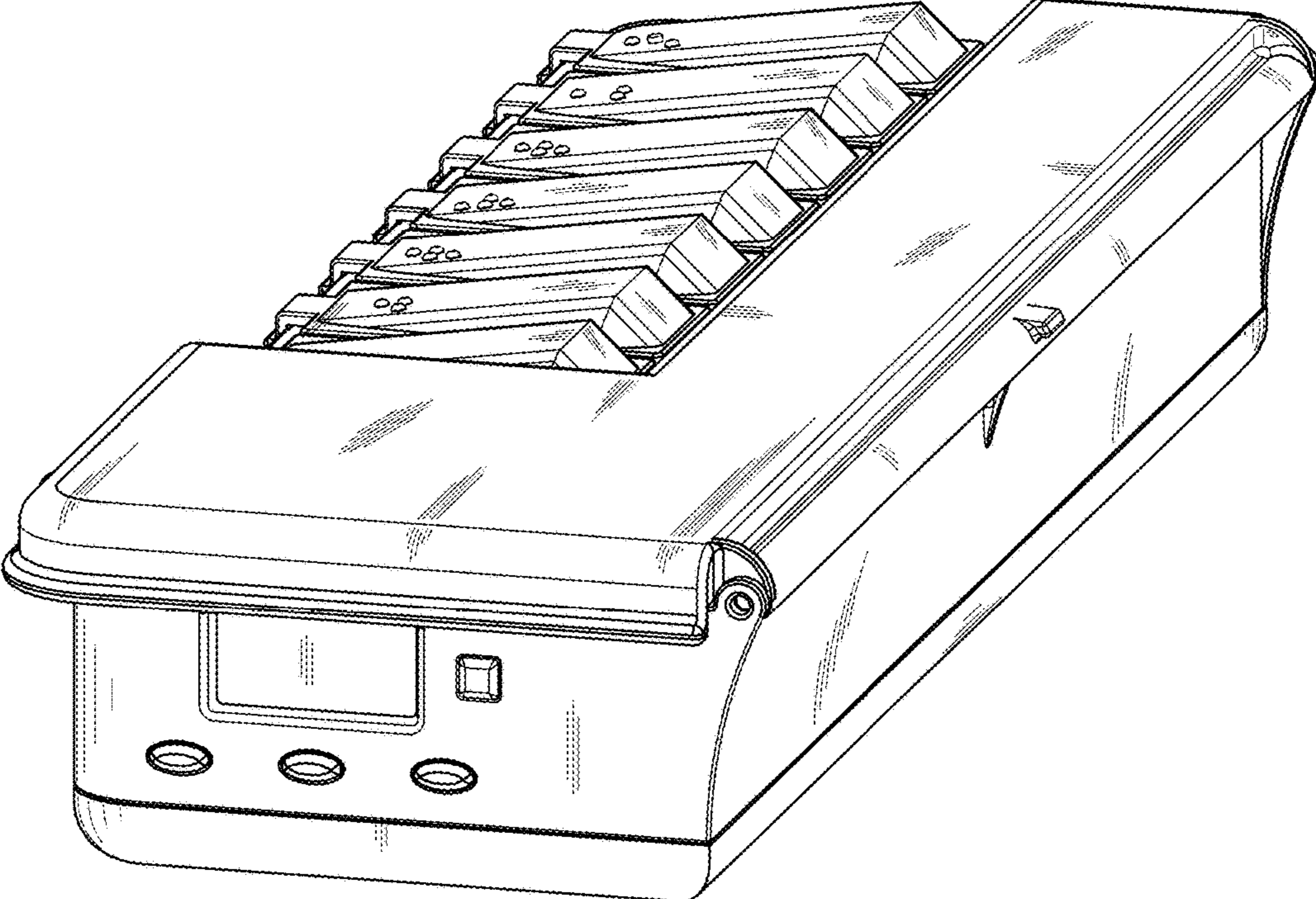


FIG. 2

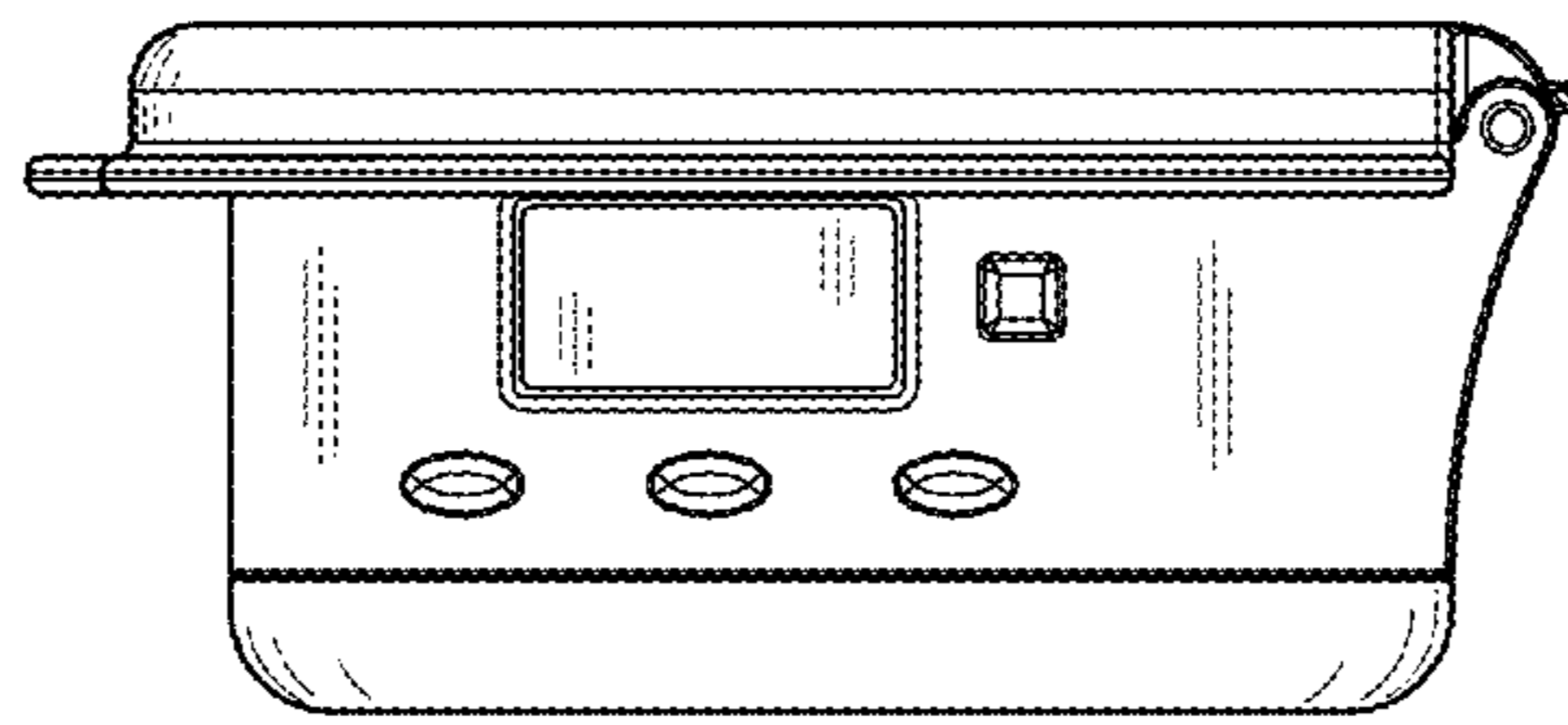


FIG. 3

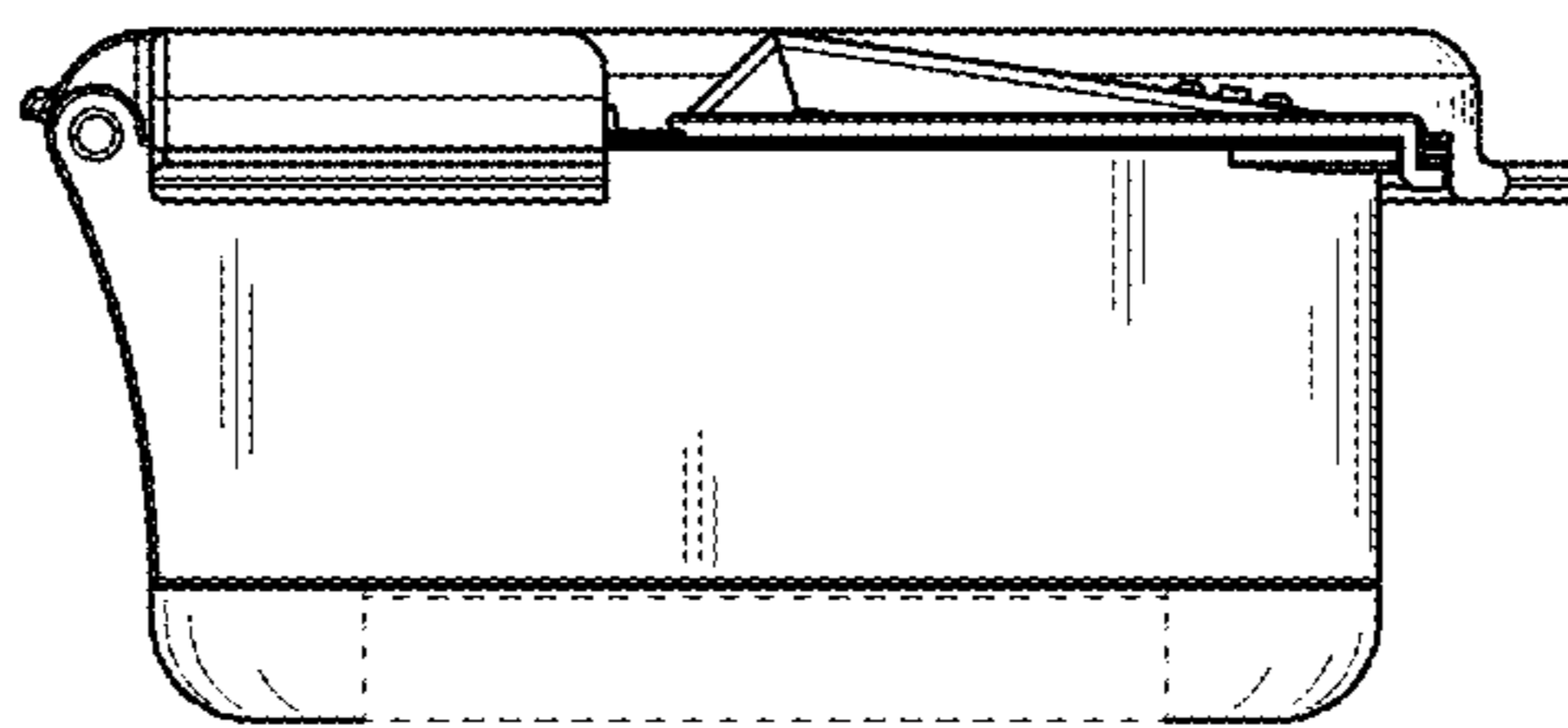


FIG. 4

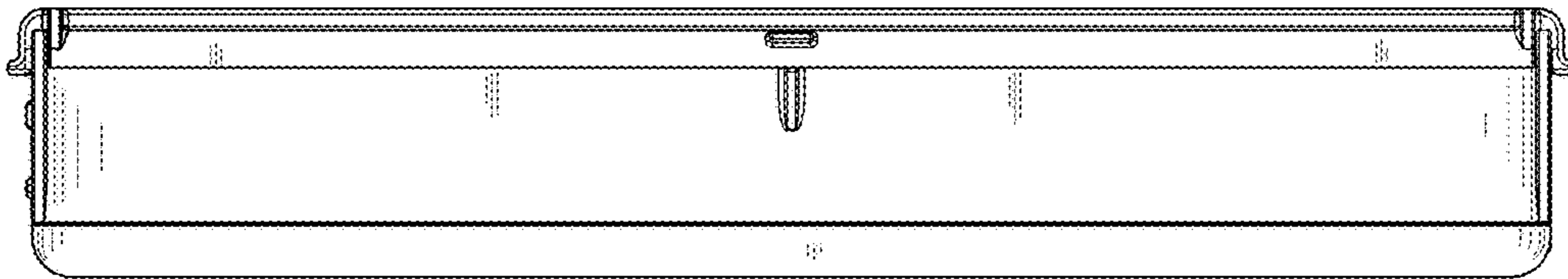


FIG. 5

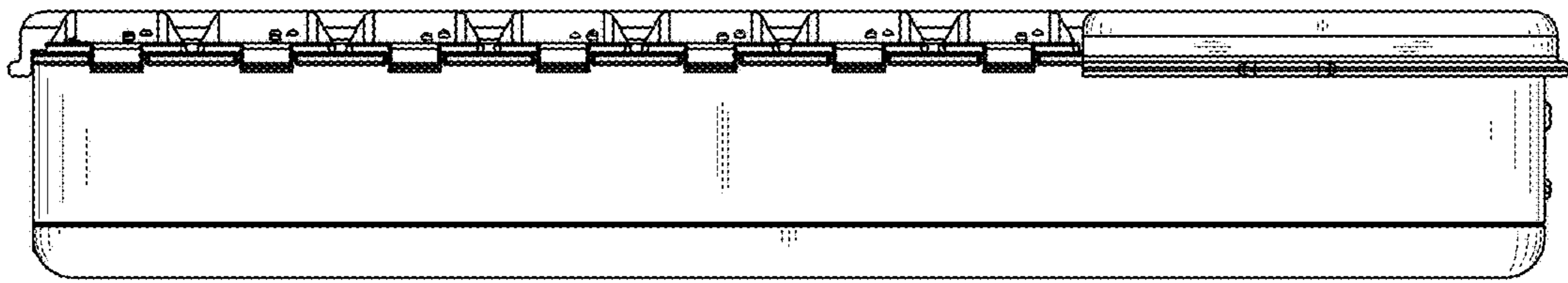


FIG. 6

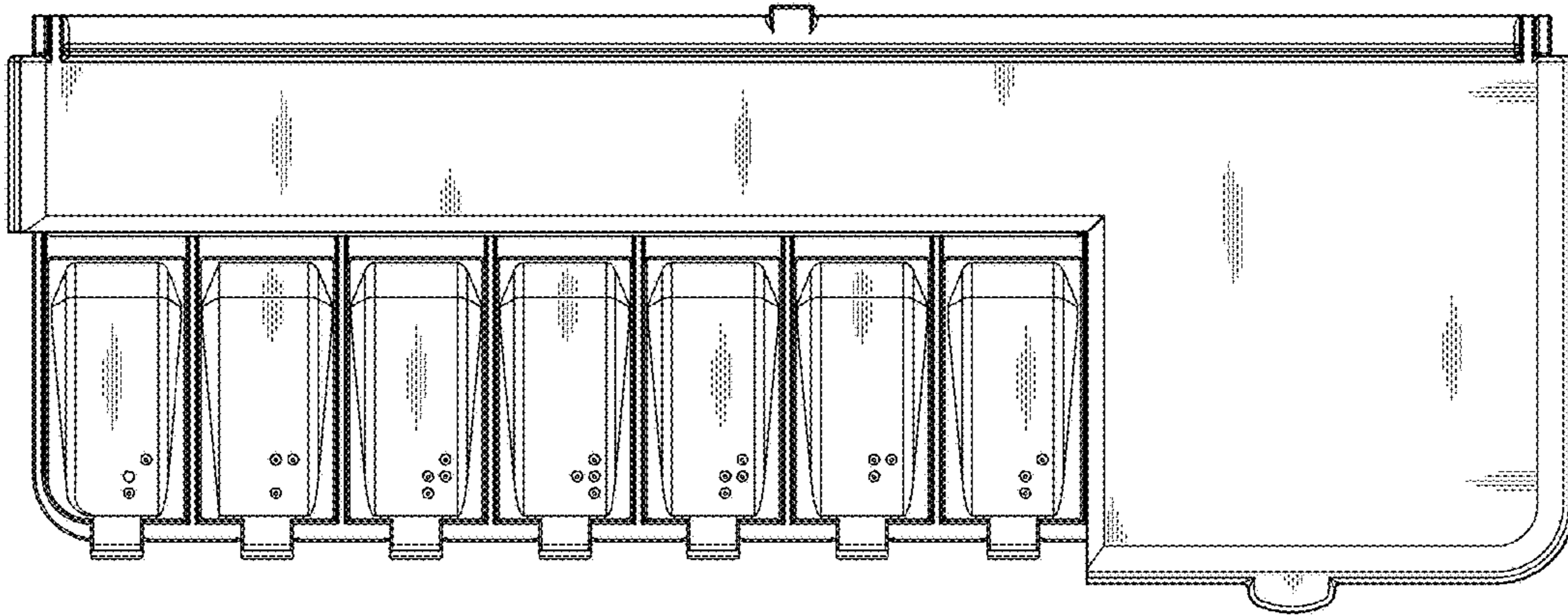


FIG. 7

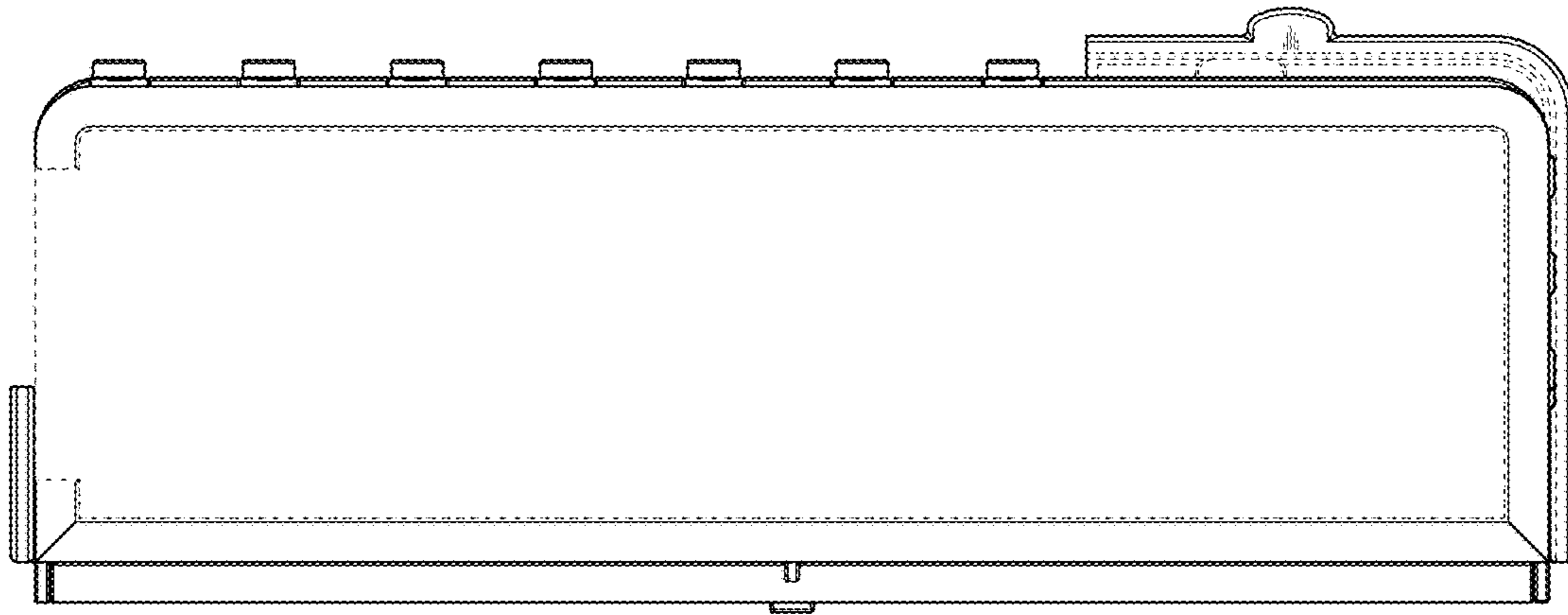


FIG. 8