



US00D828011S

(12) **United States Design Patent** (10) **Patent No.:** **US D828,011 S**
O'Brien et al. (45) **Date of Patent:** **** Sep. 11, 2018**

(54) **CATHETER PACKAGE WITH FLIP CAP**

(56) **References Cited**

(71) Applicants: **Daniel E. O'Brien**, Calry (IE); **Vincent Naughton**, Sligo (IE); **Martin McMenamin**, Lifford (IE); **Joseph N. Hanley**, Sligo (IE); **David A. Knauz**, Riverwoods, IL (US); **Jeanne E. Lee**, Libertyville, IL (US); **Marine Richard**, Carrires sur Seine (FR); **Siobhan Duffy**, Westport (IE); **Martin P. Creaven**, Ballina (IE); **Stephen Collum**, Castlebar (IE)

(72) Inventors: **Daniel E. O'Brien**, Calry (IE); **Vincent Naughton**, Sligo (IE); **Martin McMenamin**, Lifford (IE); **Joseph N. Hanley**, Sligo (IE); **David A. Knauz**, Riverwoods, IL (US); **Jeanne E. Lee**, Libertyville, IL (US); **Marine Richard**, Carrires sur Seine (FR); **Siobhan Duffy**, Westport (IE); **Martin P. Creaven**, Ballina (IE); **Stephen Collum**, Castlebar (IE)

(73) Assignee: **Hollister Incorporated**, Libertyville, IL (US)

(**) Term: **15 Years**

(21) Appl. No.: **29/562,143**

(22) Filed: **Apr. 22, 2016**

(51) **LOC (11) Cl.** **03-01**

(52) **U.S. Cl.**
USPC **D3/203.1**

(58) **Field of Classification Search**
USPC D3/201, 203.1, 203.5, 203.6, 203.7;
D24/112, 121, 122, 128, 130
CPC A61F 17/00; A61B 5/1459; A61B 5/0215;
A61B 5/150305; A61B 17/04; A61B
17/06; A61M 25/00; A61M 25/002;
G01K 1/083

See application file for complete search history.

U.S. PATENT DOCUMENTS

D137,496	S	*	3/1944	Lustig et al.	206/537
D139,383	S	*	11/1944	Lampl et al.	D24/224
3,934,722	A	*	1/1976	Goldberg	B65D 41/32 206/365
4,898,586	A	*	2/1990	McDonough	A61M 25/0111 206/364
D327,327	S	*	6/1992	Deguchi	D24/130
5,217,114	A	*	6/1993	Gadberry	A61M 25/002 206/364
5,417,326	A	*	5/1995	Winer	A61M 5/002 206/365
D381,422	S	*	7/1997	Erskine	D24/130
D383,538	S	*	9/1997	Erskine	D24/130

(Continued)

FOREIGN PATENT DOCUMENTS

WO WO 2015/184365 A1 12/2015

Primary Examiner — John Windmuller

Assistant Examiner — Steven J Czyz

(74) *Attorney, Agent, or Firm* — Cook Alex Ltd.

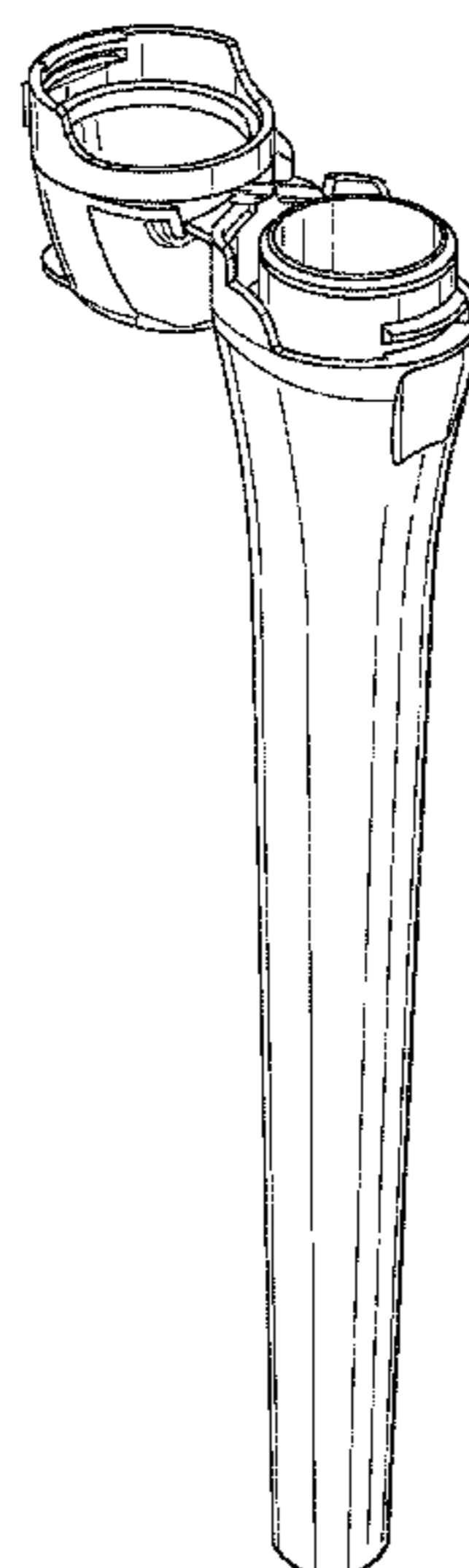
(57) **CLAIM**

The ornamental design for a catheter package with flip cap, as shown and described.

DESCRIPTION

FIG. 1 is a perspective view of a catheter package with flip cap;
FIG. 2 is a right side elevation view thereof;
FIG. 3 is a left side elevation view thereof;
FIG. 4 is a rear elevation view thereof;
FIG. 5 is a front elevation view thereof;
FIG. 6 is a top plan view thereof; and,
FIG. 7 is a bottom plan view thereof.
The broken lines depict portions of the article that form no part of the claimed design.

1 Claim, 3 Drawing Sheets



(56)

References Cited

U.S. PATENT DOCUMENTS

6,258,078 B1 7/2001 Thilly
 D488,863 S * 4/2004 Quinn D24/121
 6,822,253 B1 11/2004 Martin et al.
 D509,352 S * 9/2005 Raven D24/121
 7,438,704 B1 10/2008 Kawashima et al.
 D584,408 S * 1/2009 Castellani D24/130
 D584,409 S * 1/2009 Miller D24/130
 D584,410 S * 1/2009 Miller D24/130
 D588,797 S * 3/2009 Tanghoej D3/203.1
 D595,847 S * 7/2009 Miller D24/130
 7,571,804 B2 * 8/2009 Kjellmann Bruun
 A61M 25/0111
 206/210
 7,682,353 B2 * 3/2010 Tanghoj A61F 5/44
 604/163
 D614,396 S * 4/2010 Tanghoej D3/203.1
 7,770,726 B2 * 8/2010 Murray A61M 25/002
 206/210
 D630,733 S * 1/2011 Ahlgren D24/130
 7,867,220 B2 * 1/2011 Tanghoj A61M 25/0017
 604/263
 8,172,101 B2 * 5/2012 Giusti B01L 3/50825
 215/235
 8,181,778 B1 * 5/2012 van Groningen ... A61M 25/002
 206/210
 8,398,615 B2 * 3/2013 Torstensen A61M 25/002
 206/438
 8,448,798 B2 5/2013 Groubert et al.

D691,365 S * 10/2013 Cote D3/203.2
 8,579,115 B2 * 11/2013 Murphy A61L 2/26
 206/363
 D705,925 S * 5/2014 Murray D24/112
 8,752,722 B2 6/2014 Kuhn et al.
 D738,973 S * 9/2015 Dingman D21/756
 D747,184 S * 1/2016 Murray D9/414
 D760,490 S * 7/2016 Johnson D24/224
 2004/0158231 A1 * 8/2004 Tanghoj A61F 5/44
 604/544
 2005/0043715 A1 * 2/2005 Nestenborg A61M 25/002
 604/544
 2008/0289984 A1 * 11/2008 Raven A61M 5/002
 206/364
 2009/0131917 A1 * 5/2009 Kavanagh A61M 25/002
 604/544
 2012/0168324 A1 * 7/2012 Carleo A61M 25/0014
 206/210
 2013/0292286 A1 * 11/2013 Van Groningen
 A61M 25/0111
 206/438
 2014/0262860 A1 * 9/2014 Hagel A61M 25/002
 206/210
 2014/0360896 A1 12/2014 Torstensen
 2015/0018803 A1 * 1/2015 Tjassens A61M 25/0111
 604/544
 2015/0352321 A1 * 12/2015 Hannon A61M 25/0067
 604/544
 2016/0038717 A1 * 2/2016 Murray A61M 25/0017
 604/544

* cited by examiner

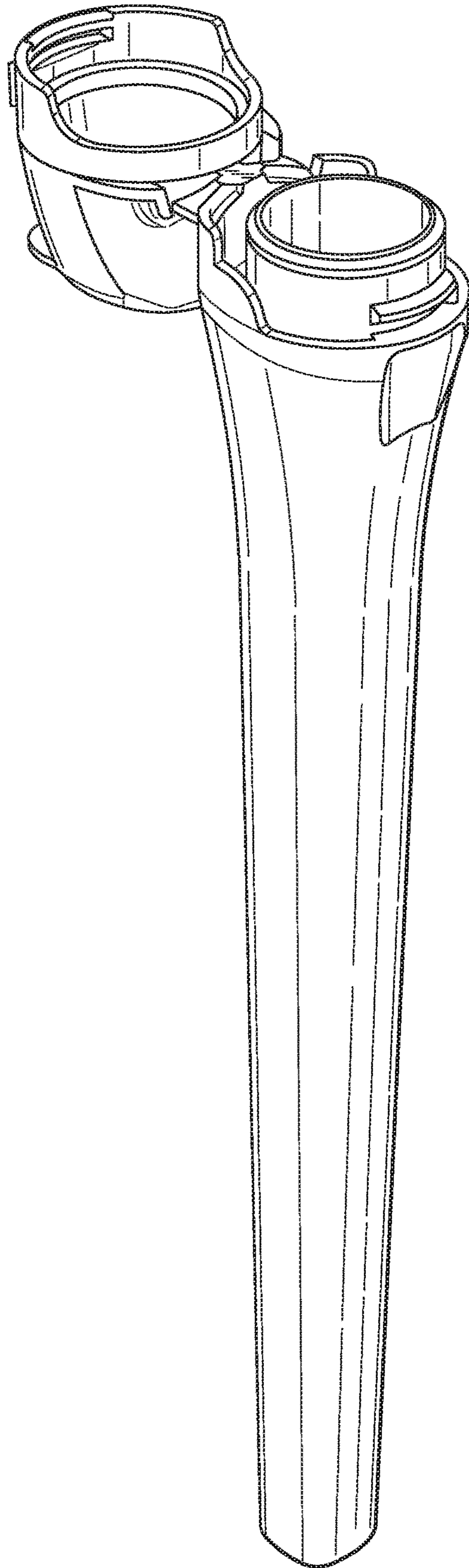


Fig. 1

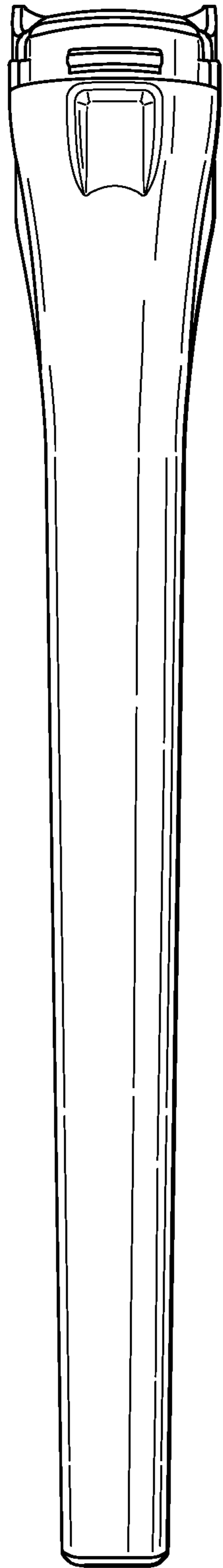


Fig. 2

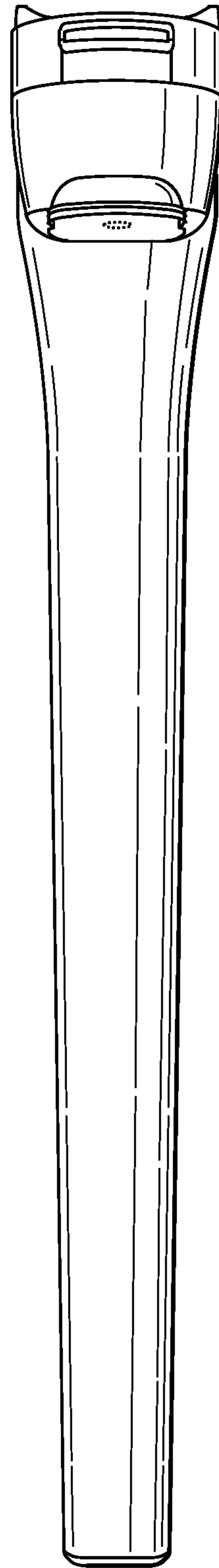


Fig. 3

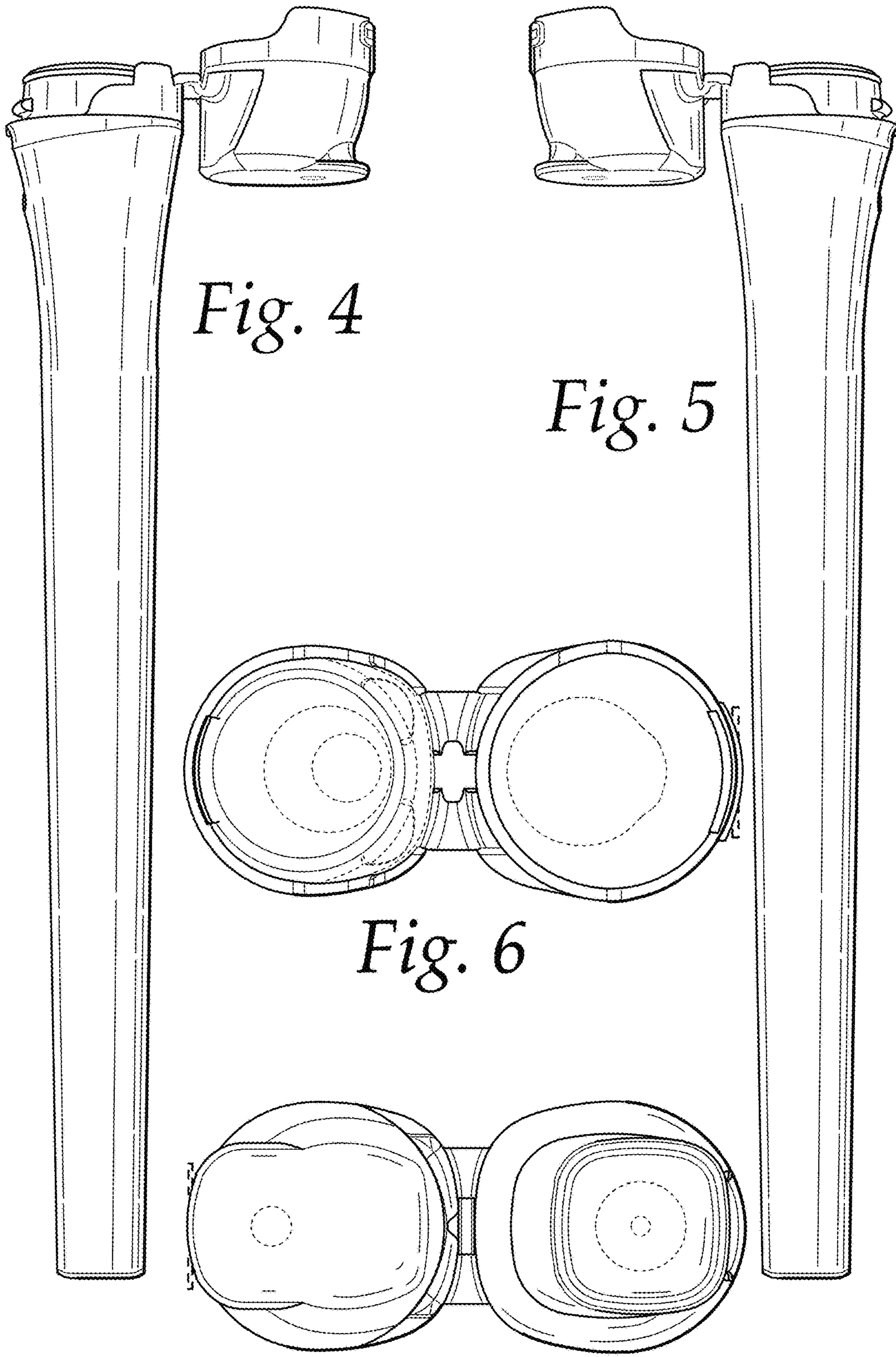


Fig. 4

Fig. 5

Fig. 6

Fig. 7