



US00D828010S

(12) **United States Design Patent** (10) **Patent No.:** **US D828,010 S**
Hawley et al. (45) **Date of Patent:** **** Sep. 11, 2018**

(54) **HANDHELD ROLLER DEVICE FOR SEWING**

(71) Applicant: **CLOVER MFG. CO., LTD.**,
Osaka-shi, Osaka (JP)

(72) Inventors: **Joan Hawley**, Westerville, OH (US);
Yasuhiro Fujiwara, Osaka (JP); **Yui Teramoto**, Osaka (JP)

(73) Assignee: **CLOVER MFG. CO., LTD.**, Osaka (JP)

(**) Term: **15 Years**

(21) Appl. No.: **29/596,640**

(22) Filed: **Mar. 9, 2017**

(30) **Foreign Application Priority Data**

Sep. 15, 2016 (JP) 2016-020030
Sep. 15, 2016 (JP) 2016-020031

(51) **LOC (11) Cl.** **03-99**

(52) **U.S. Cl.**
USPC **D3/18**

(58) **Field of Classification Search**
USPC D15/72, 77, 78; D24/200, 211; D3/18;
D8/51, 98, 107
CPC A61H 15/00; A61H 15/0085; A61H
15/0092; A61H 2015/0007; A61H
2015/0014; A61H 2015/0021; D05B
91/00; D05B 97/00; D05B 95/00-95/06
See application file for complete search history.

(56) **References Cited**

U.S. PATENT DOCUMENTS

D113,690 S * 3/1939 Tresenberg D28/7
5,218,955 A * 6/1993 Gueret A61H 15/0092
601/123

D349,576 S * 8/1994 Heiligenstein D24/200
D349,771 S * 8/1994 Heiligenstein D24/200
D358,752 S * 5/1995 Duvall D8/51
D374,342 S * 10/1996 Tanaka D3/18
D418,732 S * 1/2000 Arend D8/51
D525,852 S * 8/2006 Pearson D8/98
7,435,029 B1 * 10/2008 Marini A01K 13/003
401/188 R
D610,793 S * 3/2010 Kuwabara D3/18
D621,855 S * 8/2010 Davison, III D15/78
D623,202 S * 9/2010 Papenfuss D15/78
D661,168 S * 6/2012 Furling D8/51
D665,642 S * 8/2012 Furling D8/51
D676,975 S * 2/2013 Bickford D24/211
D677,391 S * 3/2013 Bickford D24/211
D677,392 S * 3/2013 Bickford D24/211
D678,540 S * 3/2013 Bickford D24/211
D678,541 S * 3/2013 Bickford D24/211

(Continued)

Primary Examiner — Mitchell I. Siegel

(74) *Attorney, Agent, or Firm* — Hamre, Schumann,
Mueller & Larson, P.C.

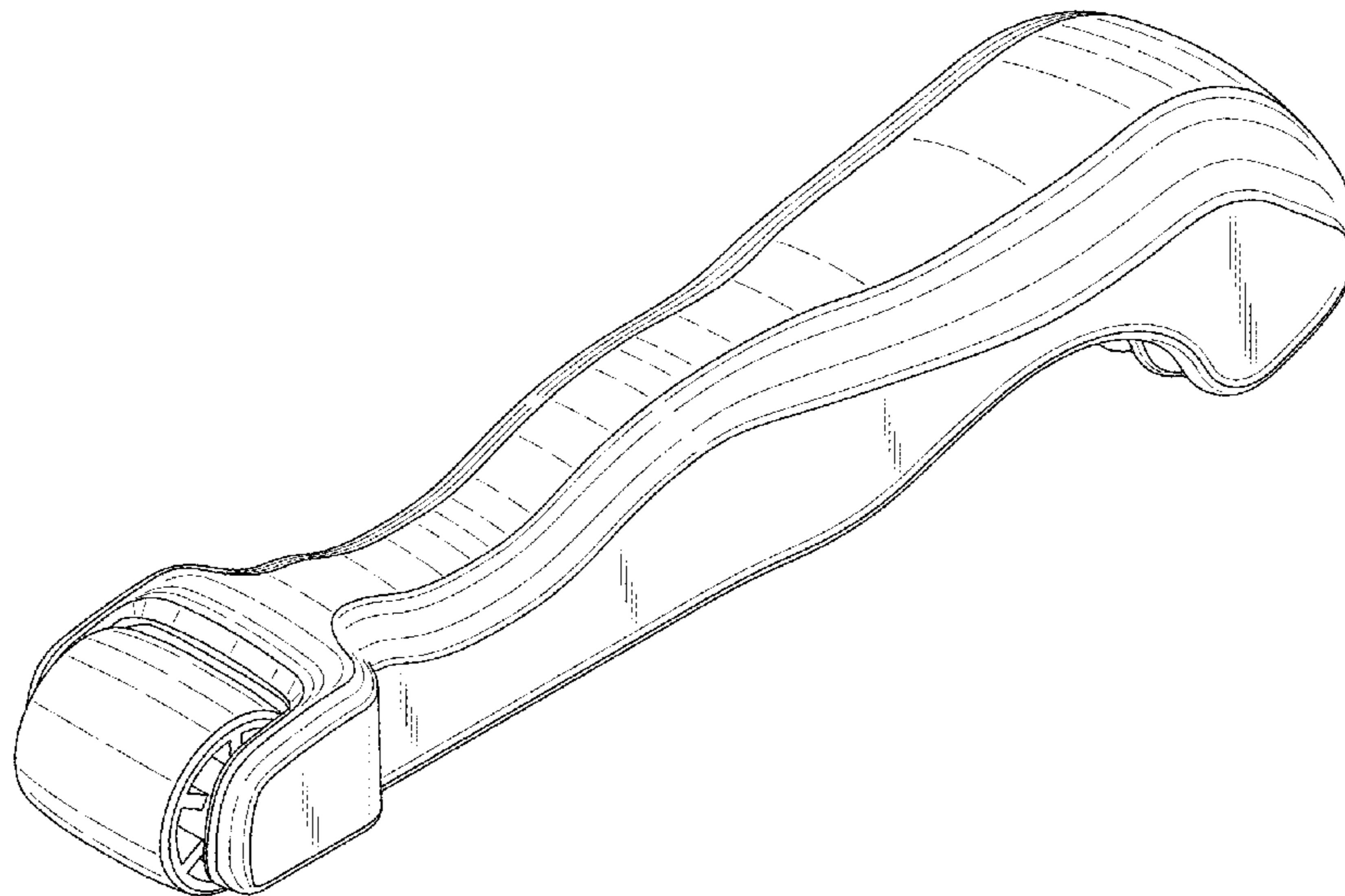
(57) **CLAIM**

We claim the ornamental designs for a handheld roller device for sewing, as shown and described.

DESCRIPTION

FIG. 1 is a perspective view of a handheld roller device for sewing according to my design;
FIG. 2 is a front elevational view thereof, the undisclosed rear being identical;
FIG. 3 is a top plan view thereof;
FIG. 4 is a bottom plan view thereof;
FIG. 5 is a left side elevational view thereof;
FIG. 6 is a right side elevational view thereof;
FIG. 7 is a sectional view taken along lines 7-7 FIG. 3;
FIG. 8 is a sectional view taken along line 8-8 of FIG. 2; and,
FIG. 9 is a sectional view taken along line 9-9 of FIG. 2.

1 Claim, 6 Drawing Sheets



(56)

References Cited

U.S. PATENT DOCUMENTS

D678,542 S * 3/2013 Bickford D24/211
8,832,896 B2 * 9/2014 Sandahl B05C 17/0222
15/114
9,415,540 B1 * 8/2016 Calman B29C 65/10

* cited by examiner

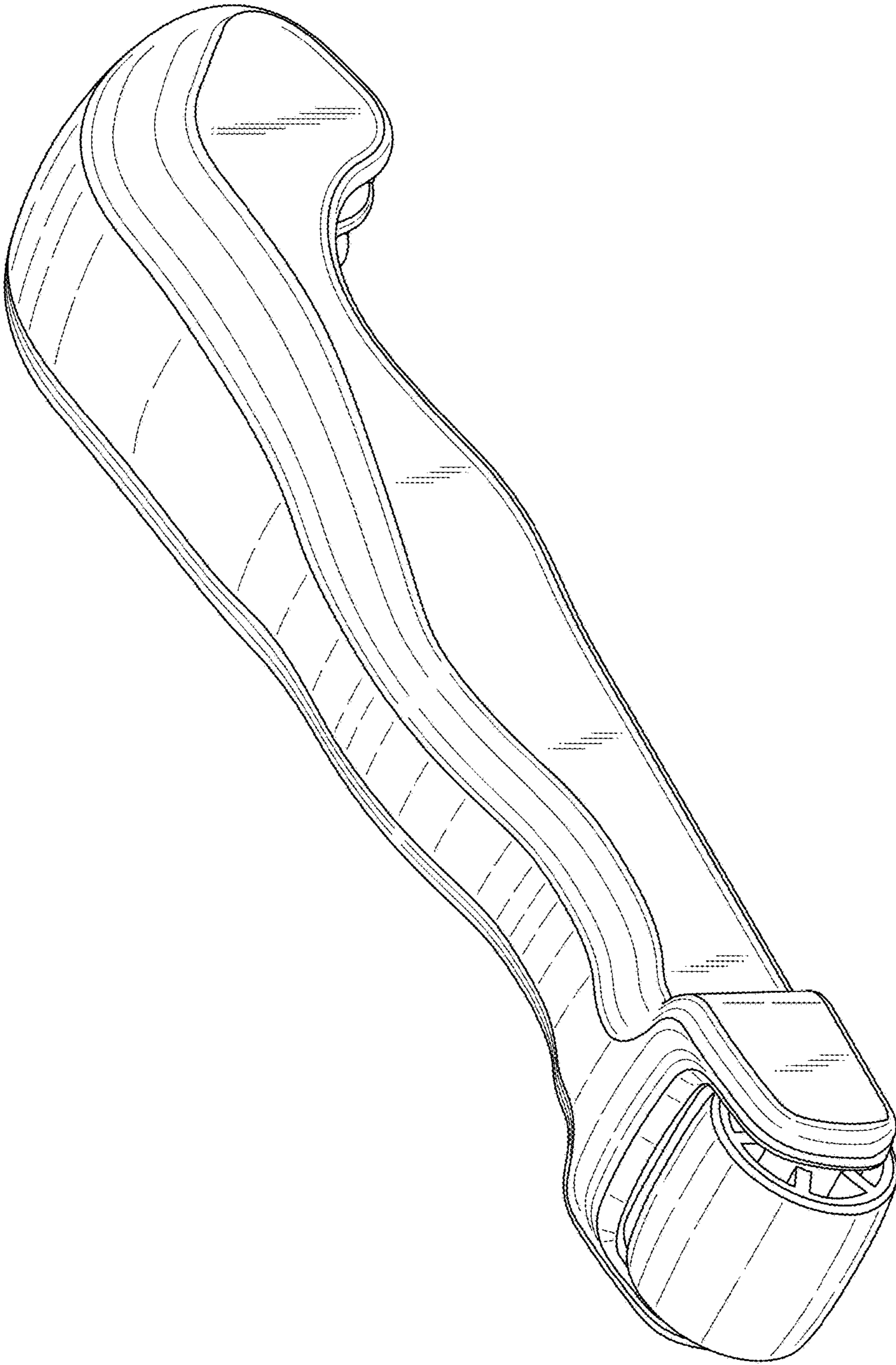


Fig. 1

Fig. 2

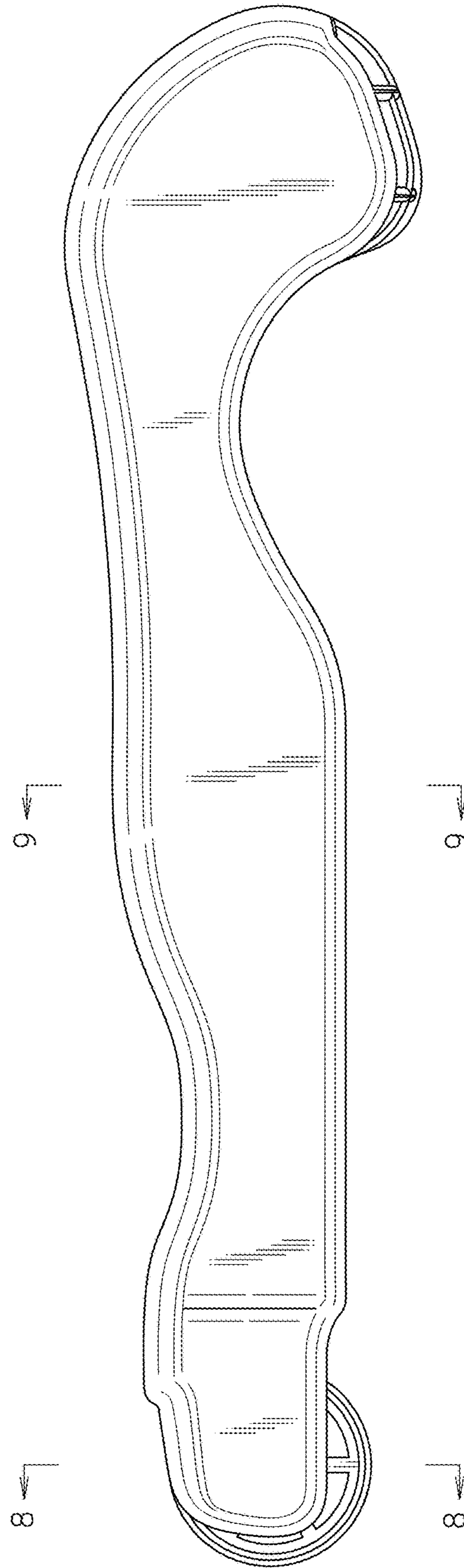


Fig. 3

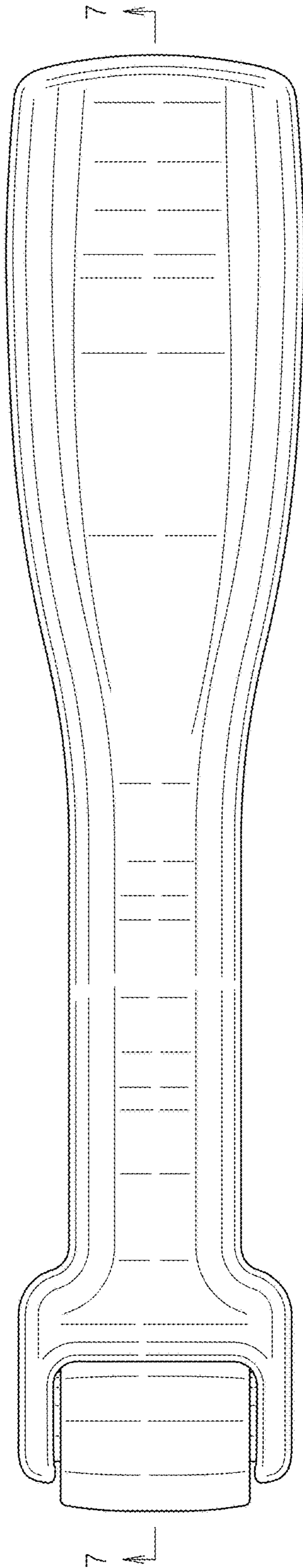


Fig. 4

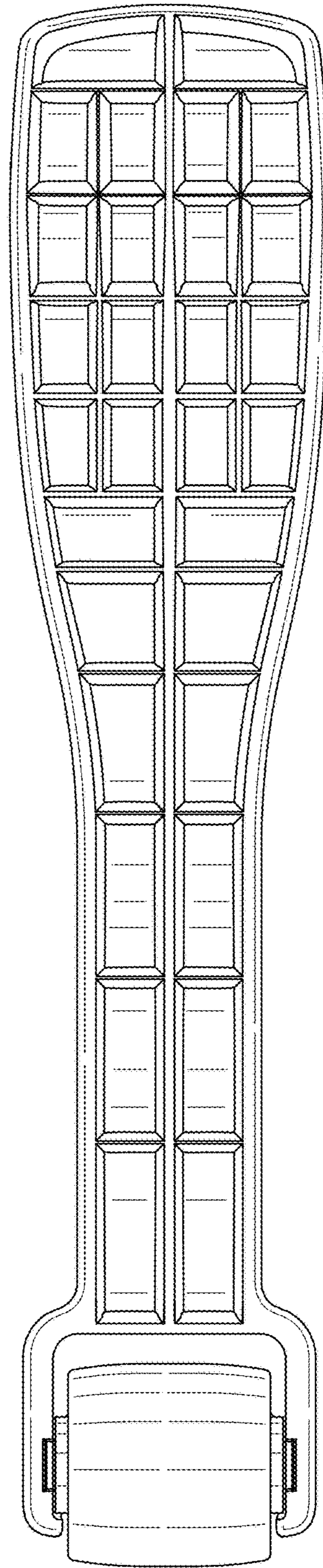


Fig. 6

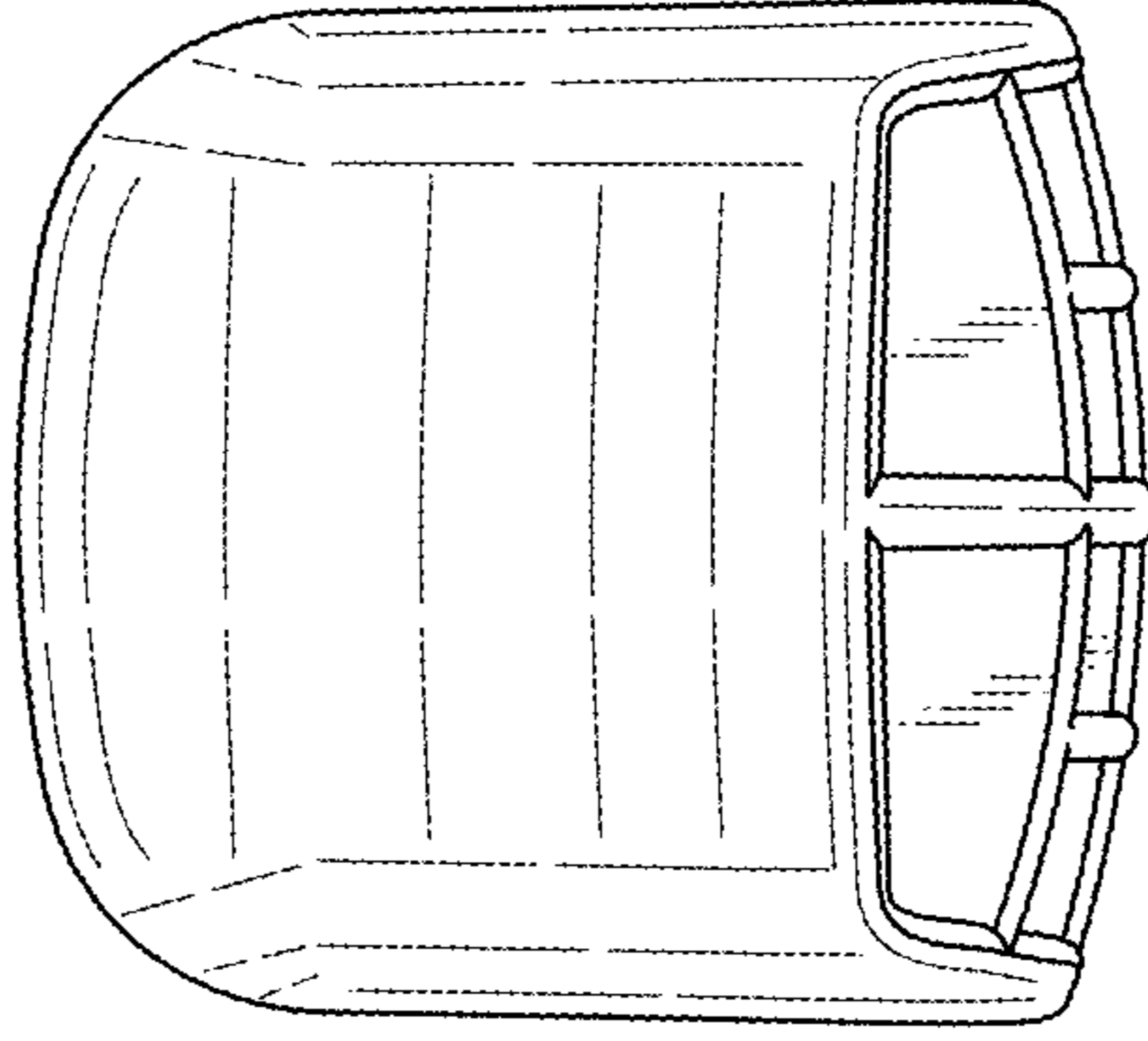


Fig. 5

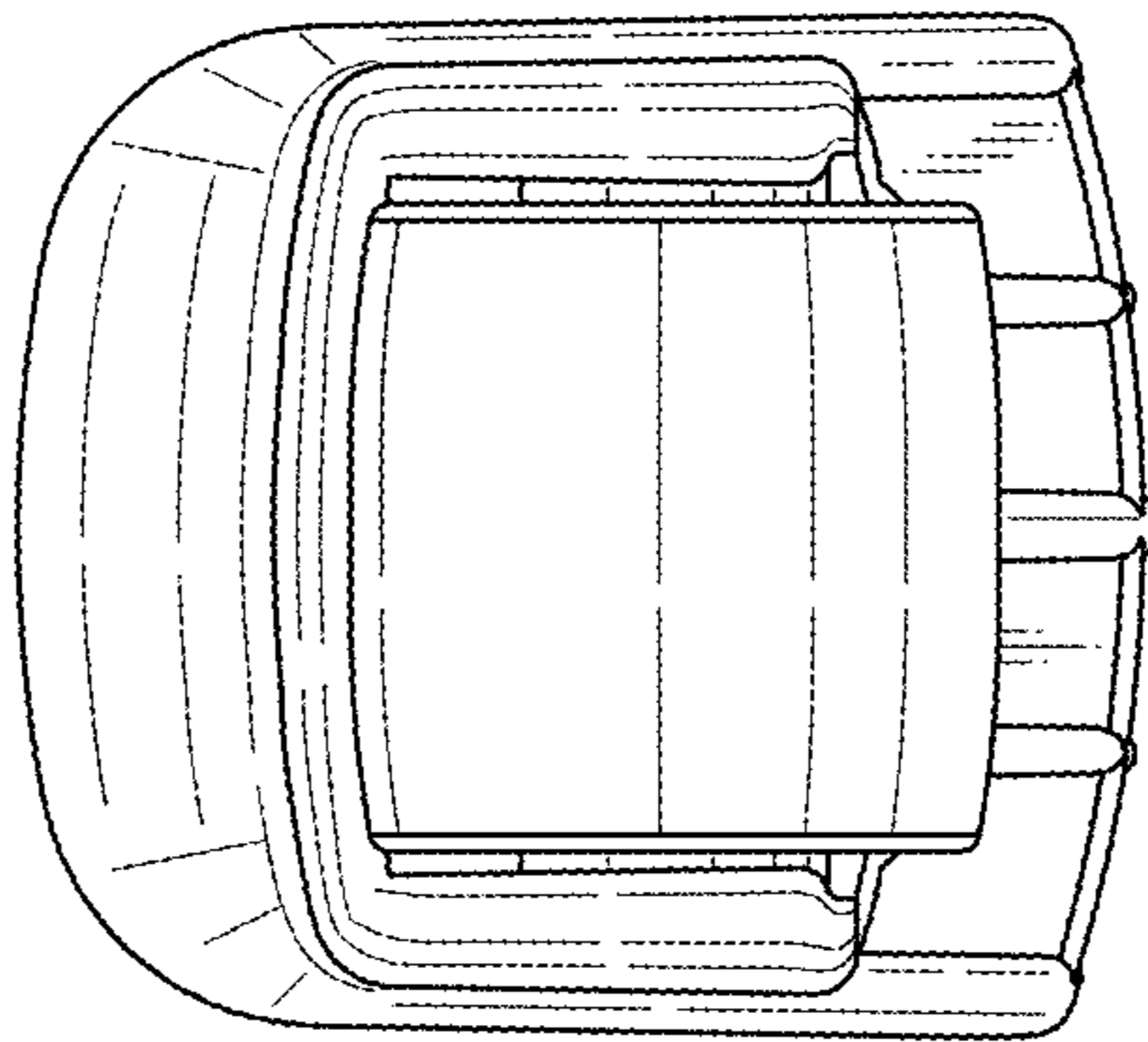


Fig. 7

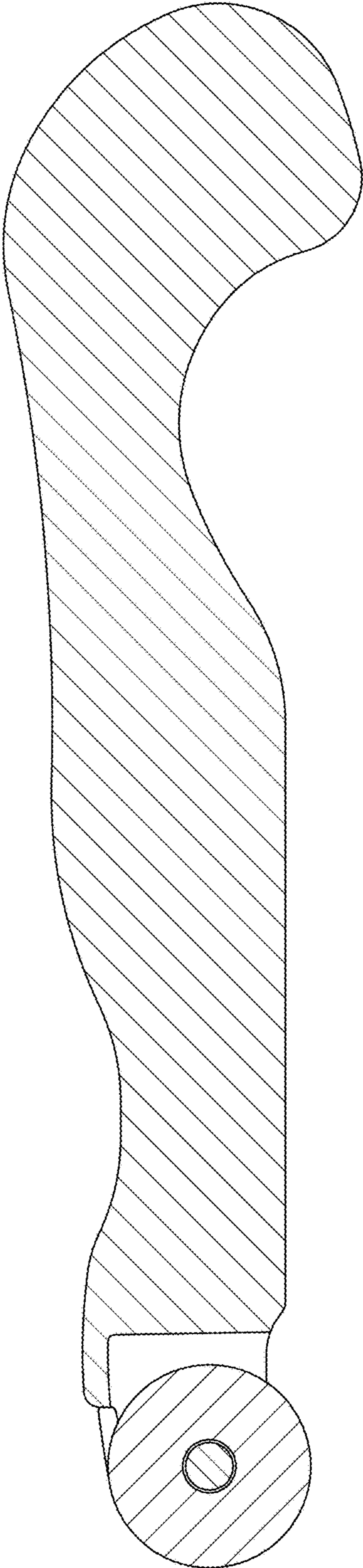


Fig. 9

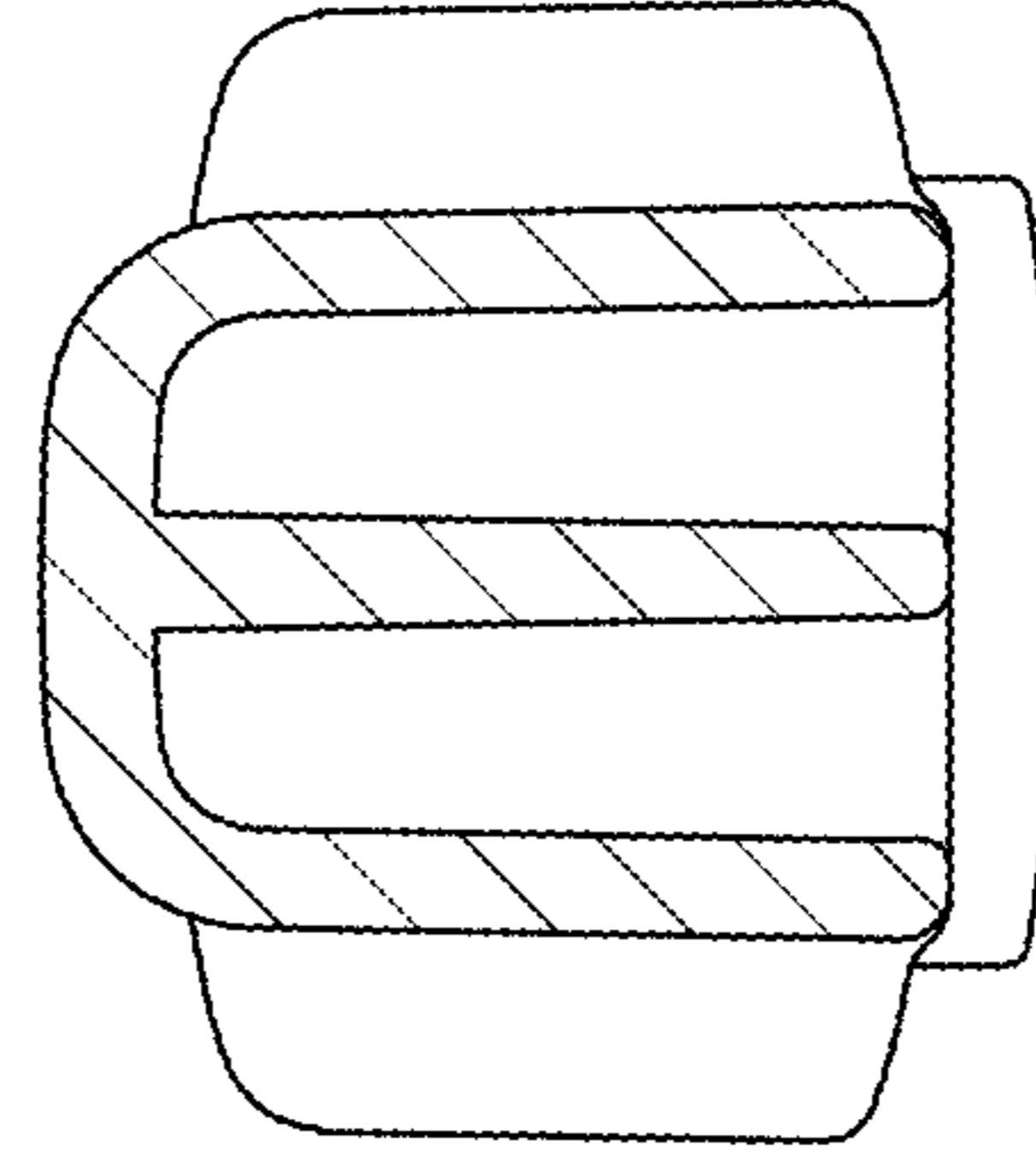


Fig. 8

