



US00D828007S

(12) **United States Design Patent** (10) **Patent No.:** **US D828,007 S**
Tallarida et al. (45) **Date of Patent:** **** Sep. 11, 2018**

(54) **UMBRELLA HOLDING ACCESSORY**

(71) Applicant: **Doorbrella Pty Ltd**, Wetherill Park (AU)

(72) Inventors: **Marco Sergio Tallarida**, North Sydney (AU); **Francesco Mittiga**, Mt Vernon (AU); **Domenico Ferreri**, Abbotsbury (AU)

(73) Assignee: **Doorbrella Pty Ltd**, Wetherill Park, NSW (AU)

(**) Term: **15 Years**

(21) Appl. No.: **29/590,123**

(22) Filed: **Jan. 6, 2017**

(30) **Foreign Application Priority Data**

Jul. 8, 2016 (AU) 201613585

(51) **LOC (11) Cl.** **03-03**

(52) **U.S. Cl.**
USPC **D3/10**

(58) **Field of Classification Search**
USPC D3/5, 6, 10, 13; D8/394, 396
CPC A45B 2009/002; A45B 19/00; A45B 2023/0025; A45B 2023/0031; A45B 2023/0043; A45B 2025/003; A45B 25/00; F16B 2/00; F16B 7/00; F16B 7/04
See application file for complete search history.

(56) **References Cited**

U.S. PATENT DOCUMENTS

- 5,431,364 A * 7/1995 Etter A45B 11/00 135/16
- D386,323 S * 11/1997 Davis D3/10
- D389,334 S * 1/1998 Attridge D3/10
- D396,185 S * 7/1998 Fraser D3/10
- D413,429 S * 9/1999 Carson D3/10

- D574,144 S * 8/2008 Ortiz-Gavin D3/10
- D609,494 S * 2/2010 Jenkins, Sr. D3/10
- D623,395 S * 9/2010 Liao D3/10
- D634,114 S * 3/2011 Liao D3/10
- D685,315 S * 7/2013 Hayes D12/415
- D757,421 S * 5/2016 Chaloux D3/10
- D770,758 S * 11/2016 Chaloux D3/10
- D794,943 S * 8/2017 Schlang D3/201
- 2012/0043448 A1 * 2/2012 Liao A45B 11/00 248/534
- 2012/0132779 A1 * 5/2012 Johnson E04H 12/2269 248/513
- 2013/0256355 A1 * 10/2013 Gatto-Weising B60R 11/00 224/482
- 2015/0305453 A1 * 10/2015 Gatto-Weising A45B 11/00 248/516

* cited by examiner

Primary Examiner — John Windmuller

Assistant Examiner — Steven J Czyz

(74) *Attorney, Agent, or Firm* — Polsinelli PC

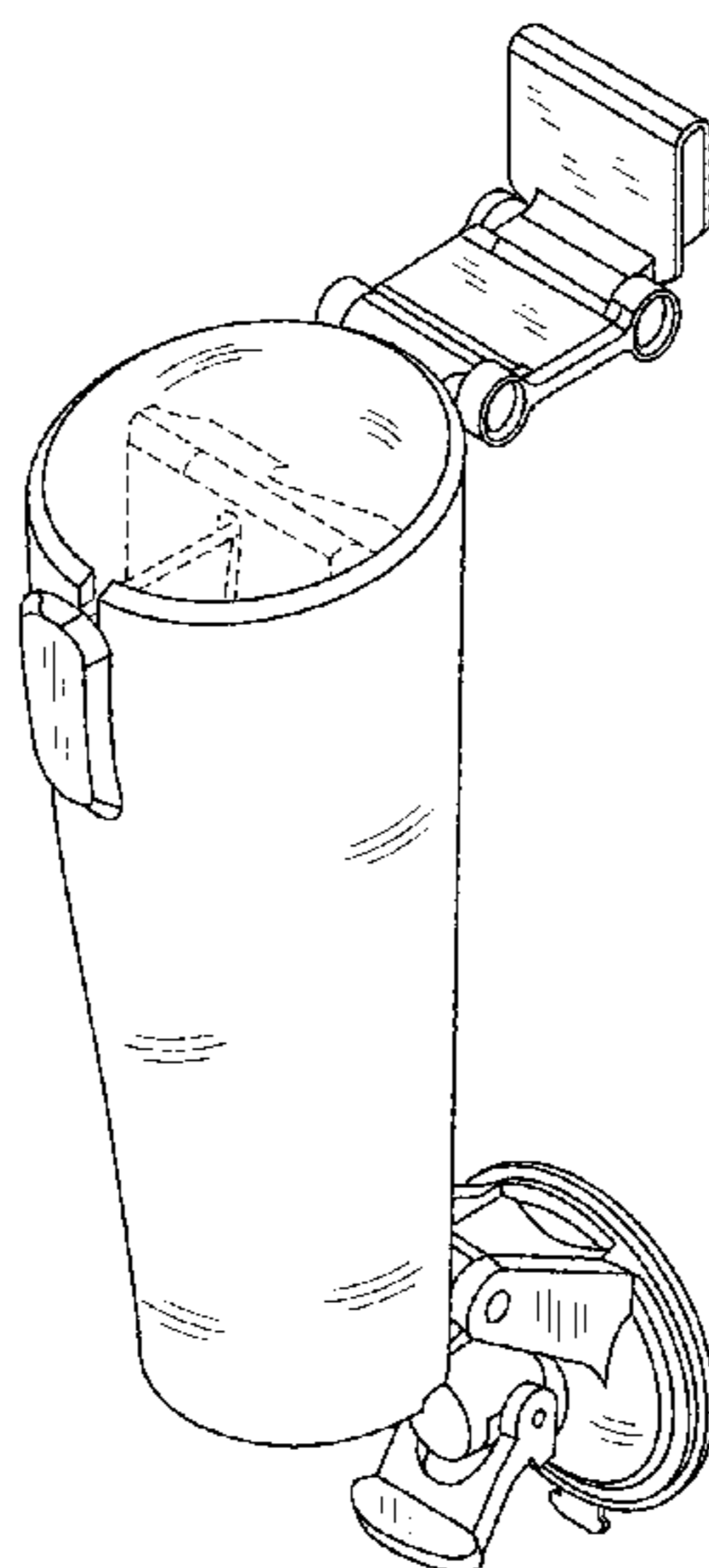
(57) **CLAIM**

The ornamental design for an umbrella holding accessory, as shown and described.

DESCRIPTION

FIG. 1 is a front view of an umbrella holding accessory.
 FIG. 2 is a rear view thereof.
 FIG. 3 is a left side view thereof.
 FIG. 4 is right side view thereof.
 FIG. 5 is a top view thereof.
 FIG. 6 is a bottom view thereof.
 FIG. 7 is a bottom rear perspective view thereof.
 FIG. 8 is a bottom front perspective view thereof; and,
 FIG. 9 is a top front perspective view thereof.
 The broken lines shown in the Figures are environment only and form no part of the claimed design.
 The shade lines in the Figures show contour and do not claim surface ornamentation or treatment.

1 Claim, 9 Drawing Sheets



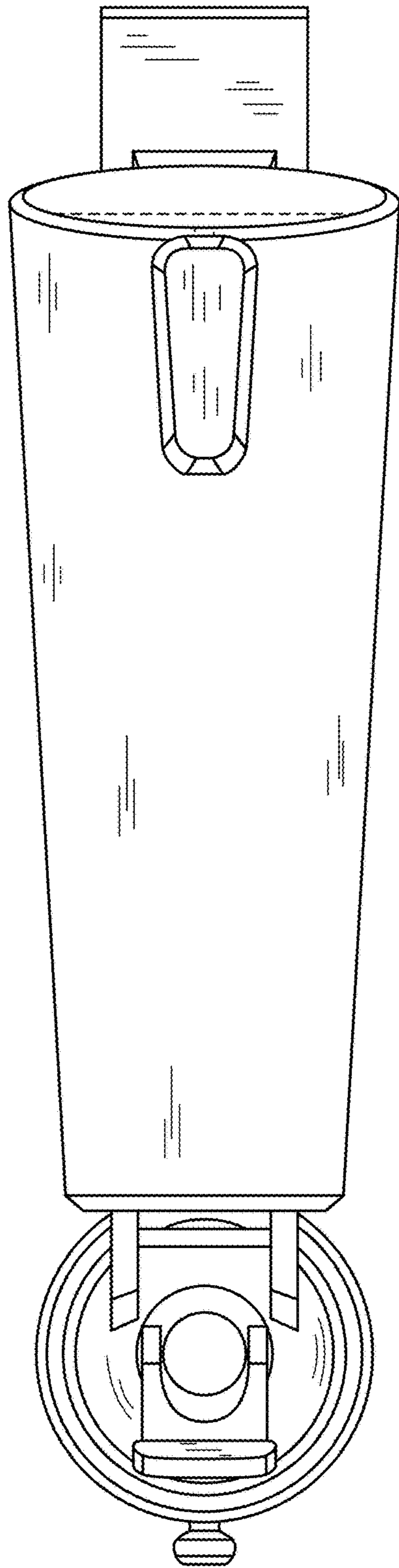


FIG. 1

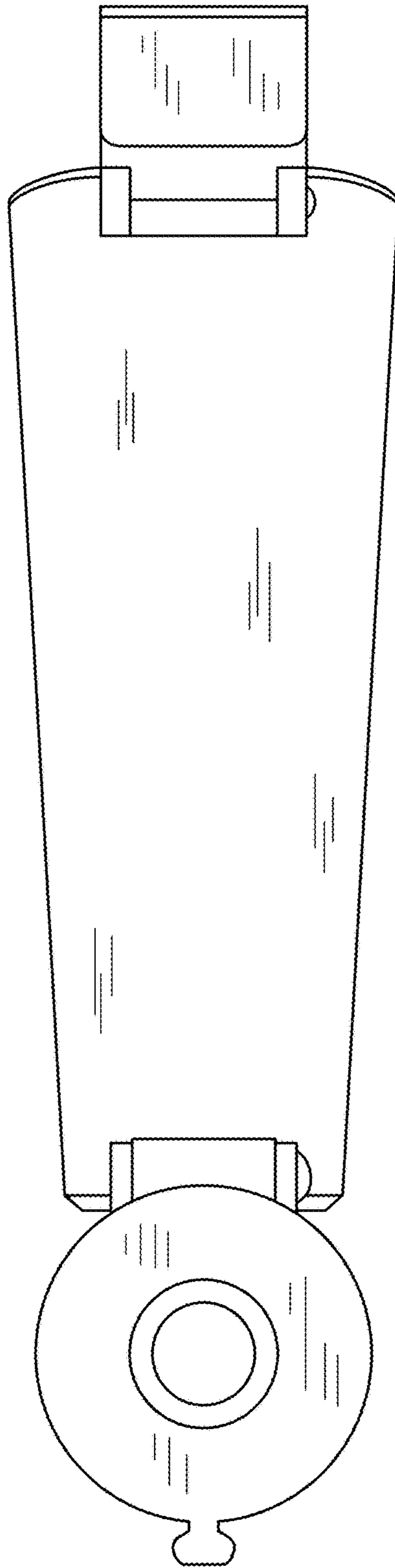


FIG.2

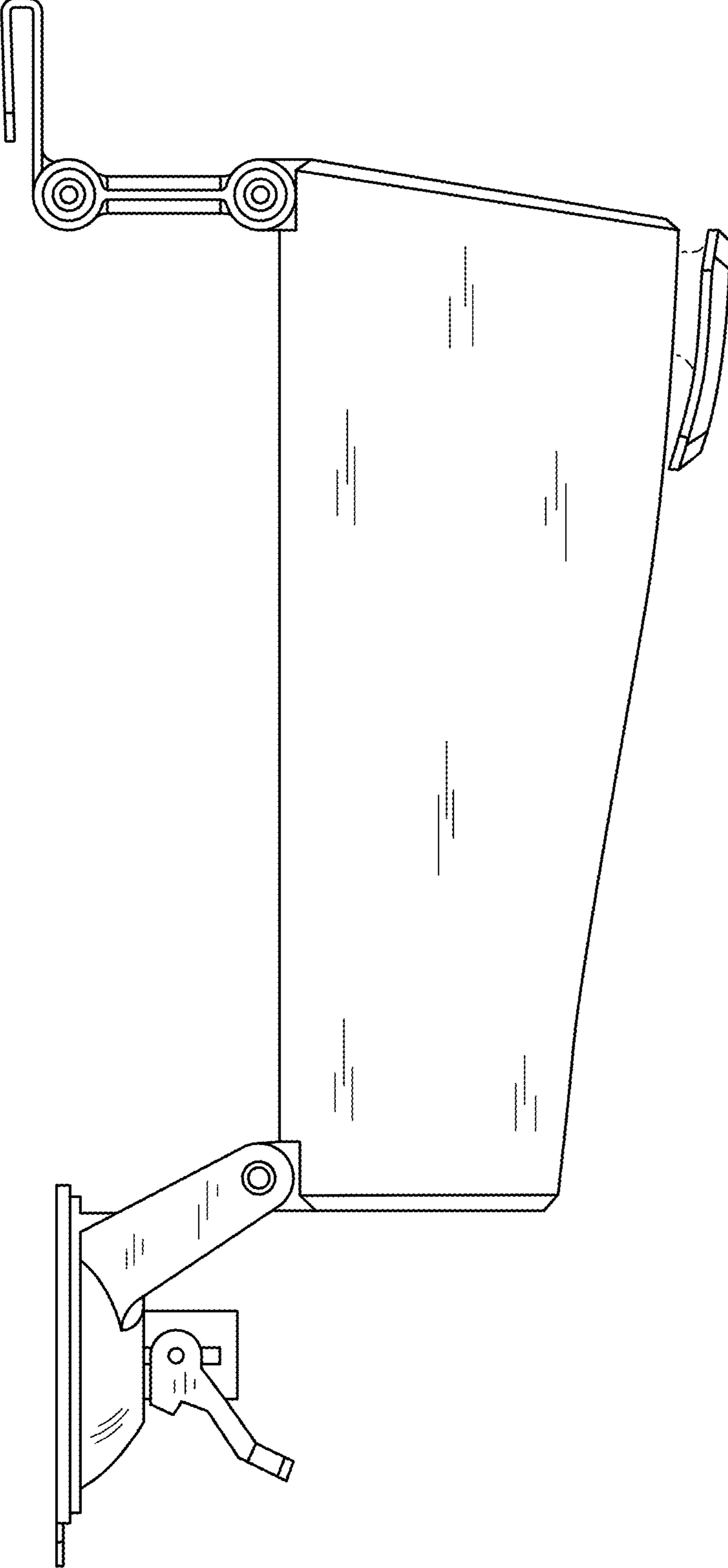


FIG.3

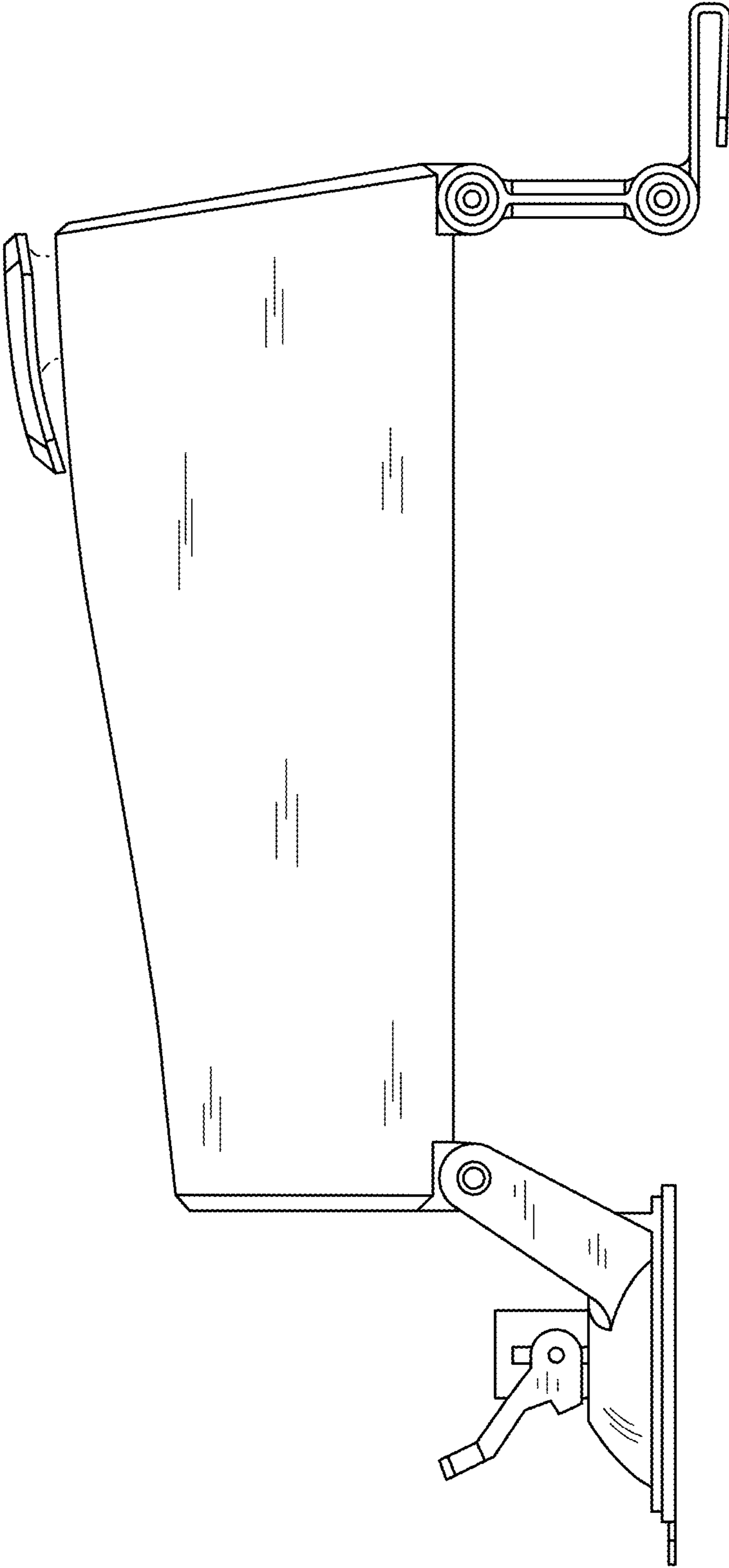


FIG.4

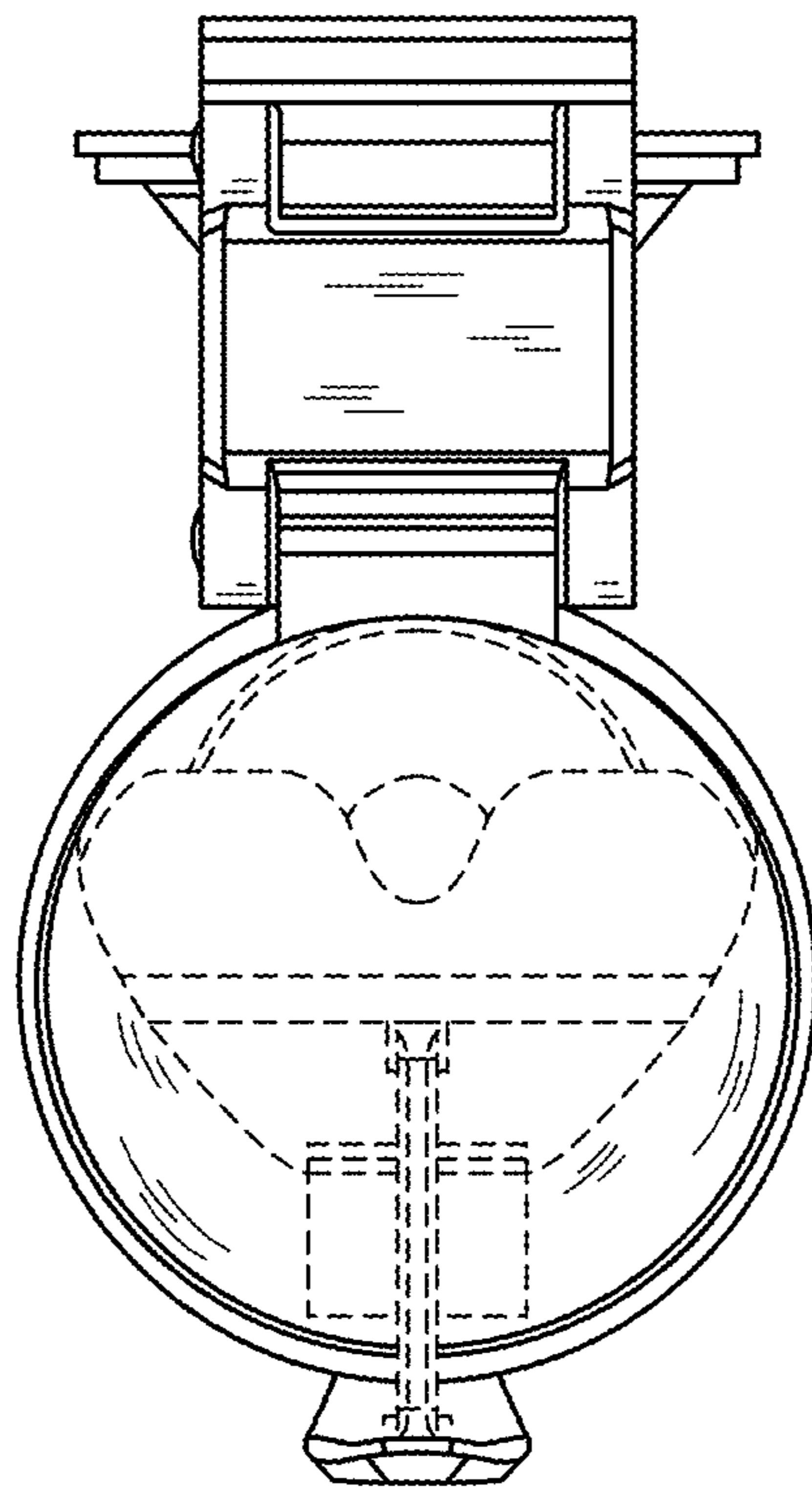


FIG.5

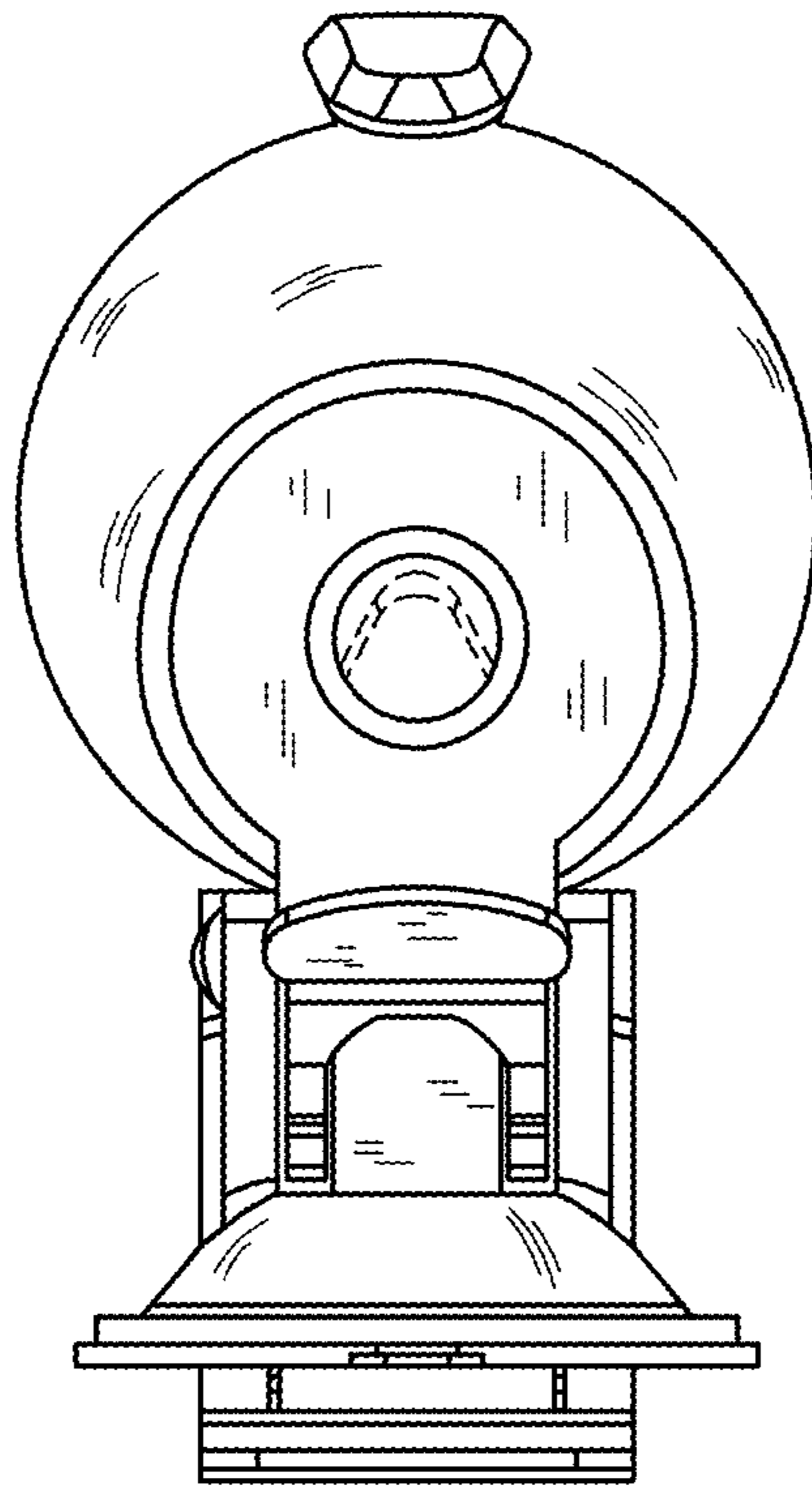


FIG.6

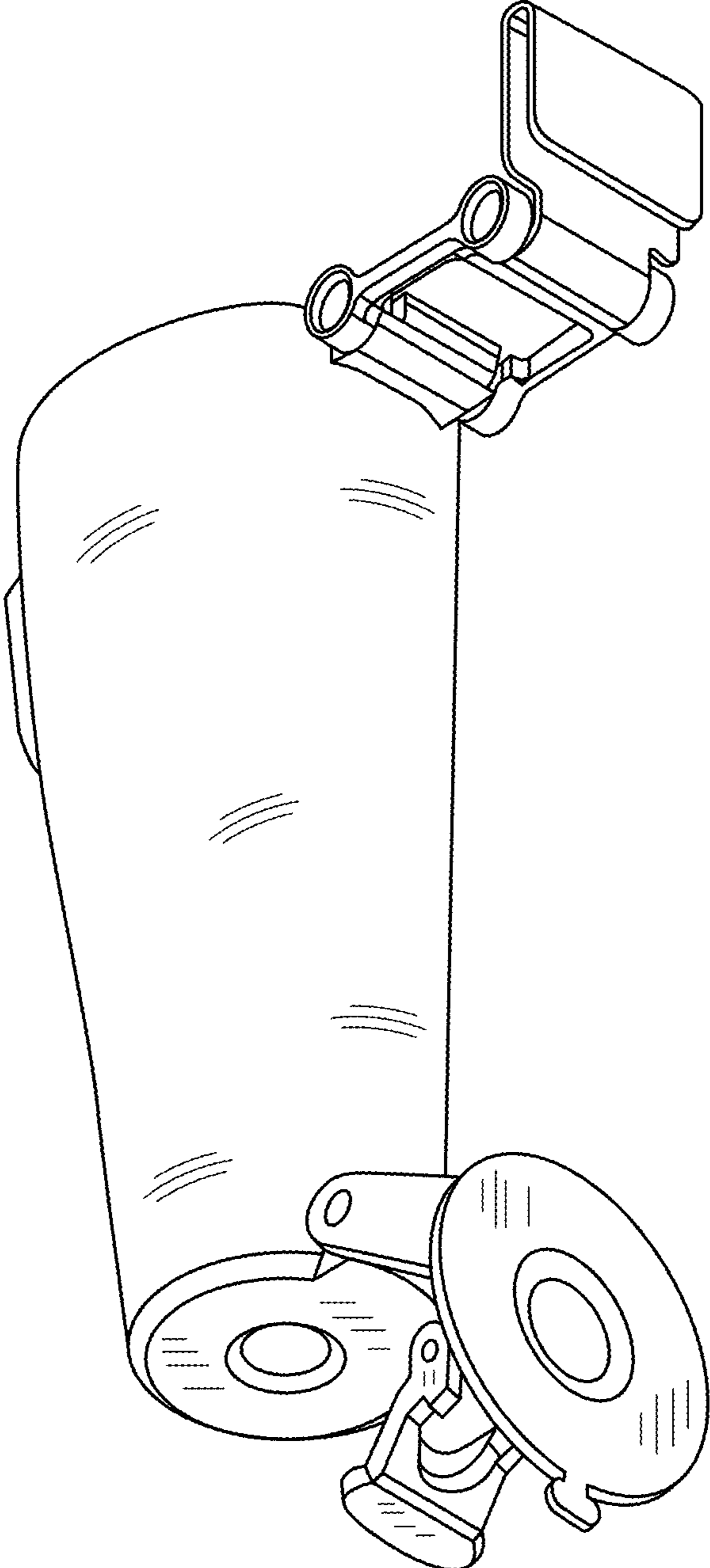


FIG.7

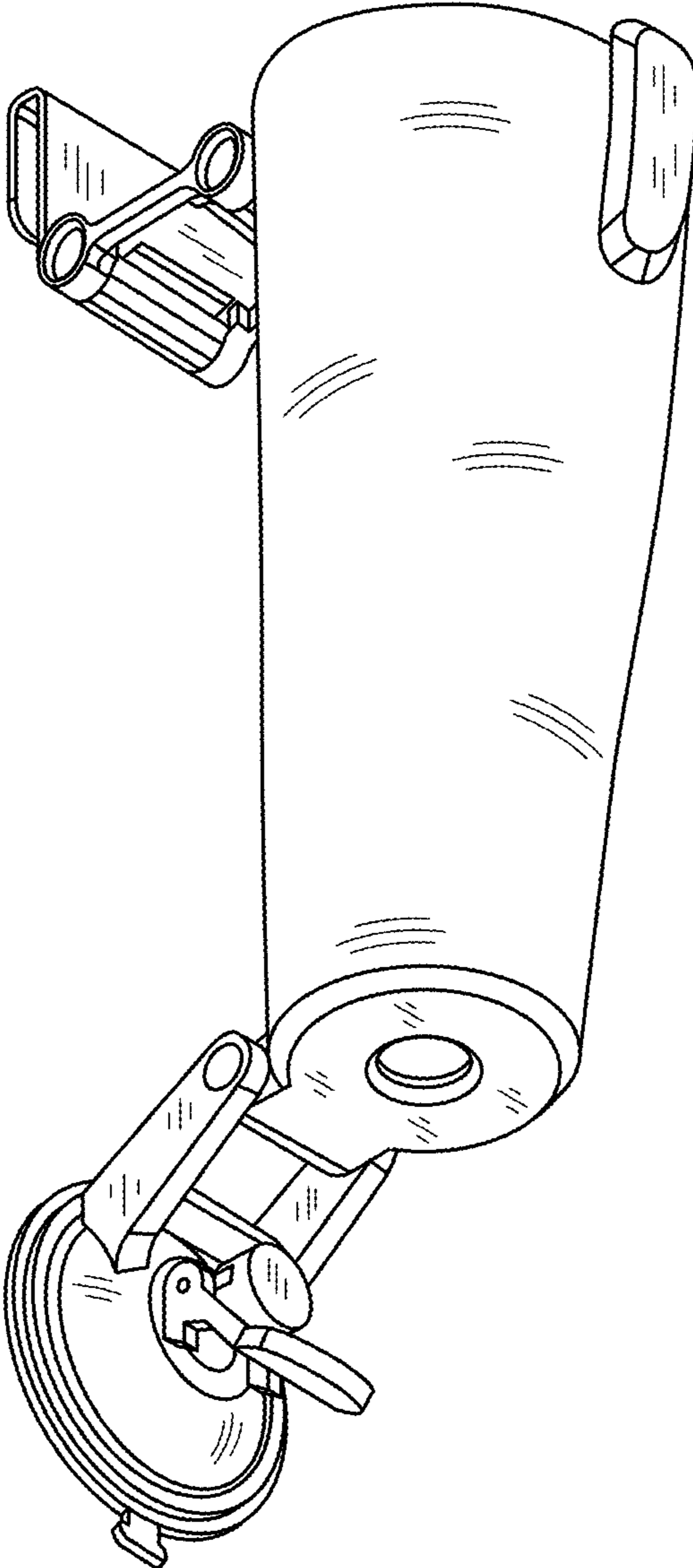


FIG.8

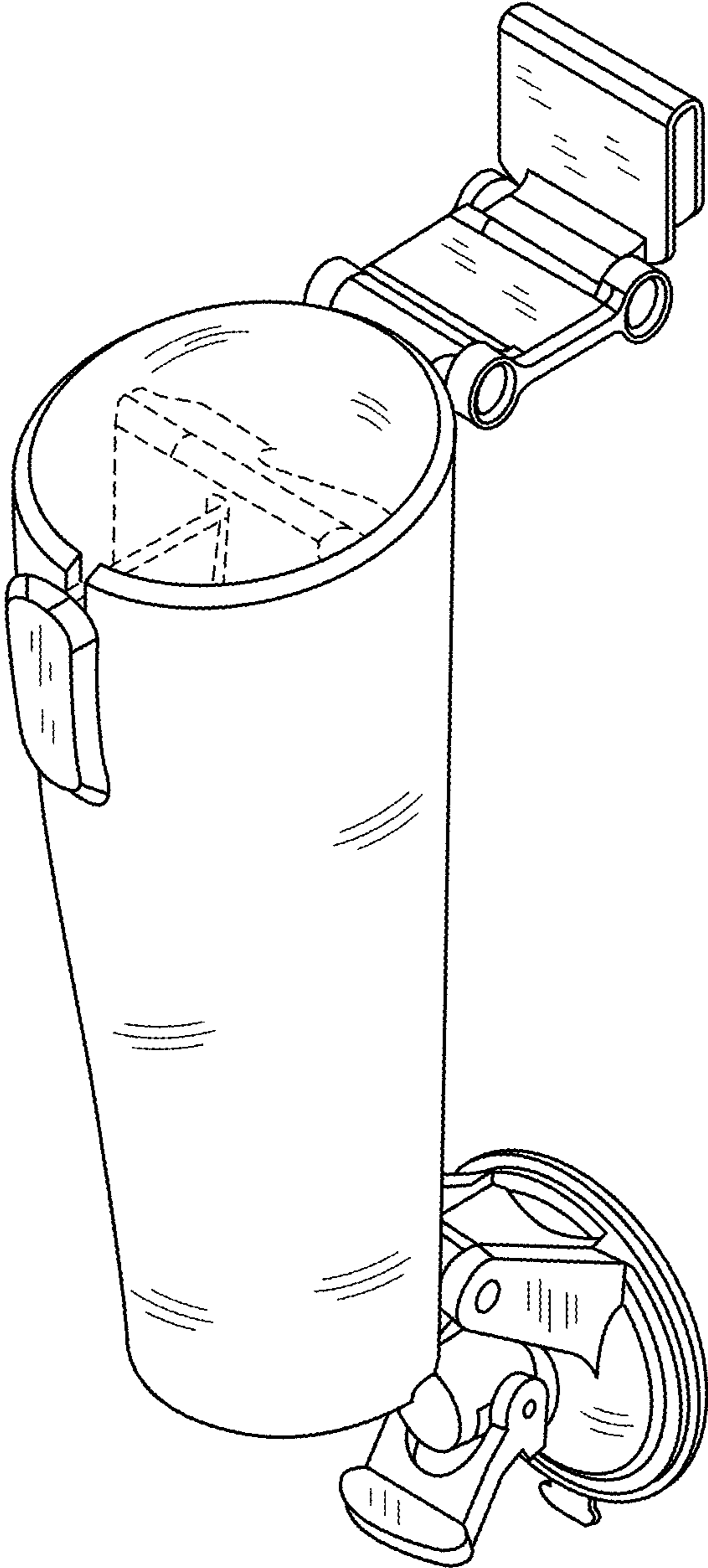


FIG.9