



US00D827990S

(12) **United States Design Patent**
Lacy et al.

(10) **Patent No.:** **US D827,990 S**

(45) **Date of Patent:** **** Sep. 11, 2018**

(54) **WIDE-BRIMMED HAT**

(71) Applicant: **SUNDAY AFTERNOONS, INC.**,
Talent, OR (US)

(72) Inventors: **Robbin Lacy**, Talent, OR (US); **Acacia Lacy**, Ashland, OR (US); **Russell Hodgdon**, Talent, OR (US)

(73) Assignee: **Sunday Afternoons, Inc.**, Talent, OR (US)

(**) Term: **15 Years**

(21) Appl. No.: **29/543,851**

(22) Filed: **Oct. 28, 2015**

(51) **LOC (11) Cl.** **02-03**

(52) **U.S. Cl.**
USPC **D2/879**

(58) **Field of Classification Search**
USPC D2/865, 866, 873, 874, 879, 880, 882,
D2/883, 884, 885, 891, 893, 895;
D29/109

(Continued)

(56) **References Cited**

U.S. PATENT DOCUMENTS

5,657,490 A * 8/1997 Edmark A42B 1/201
2/171.03

D390,340 S * 2/1998 Najim D2/866
(Continued)

FOREIGN PATENT DOCUMENTS

EM 003090653-0001 * 11/2016
EM 003090653-0002 * 11/2016

(Continued)

OTHER PUBLICATIONS

The Wrong Sun Hat Can Leave Heads Fit to Be Fried, [on-line]; [posted to the Internet on Jul. 24, 2012]; [retrieved from the Internet on Jul. 24, 2012]; URL: <http://www.prweb.com/releases/sungubbies_sunprotection/sun_protective_hats/prweb9721926.htm>. (4 pages).*

(Continued)

Primary Examiner — Karen E Eldridge Powers

Assistant Examiner — Jasmine Mlinarcik

(74) *Attorney, Agent, or Firm* — McCoy Russell LLP

(57) **CLAIM**

The ornamental design for a wide-brimmed hat, as shown and described.

DESCRIPTION

FIG. 1 is a front elevation view of a design for a wide-brimmed hat according to the present invention.

FIG. 2 is a left side elevation view thereof.

FIG. 3 is a right side elevation view thereof.

FIG. 4 is a back elevation view thereof.

FIG. 5 is a top plan view thereof; and,

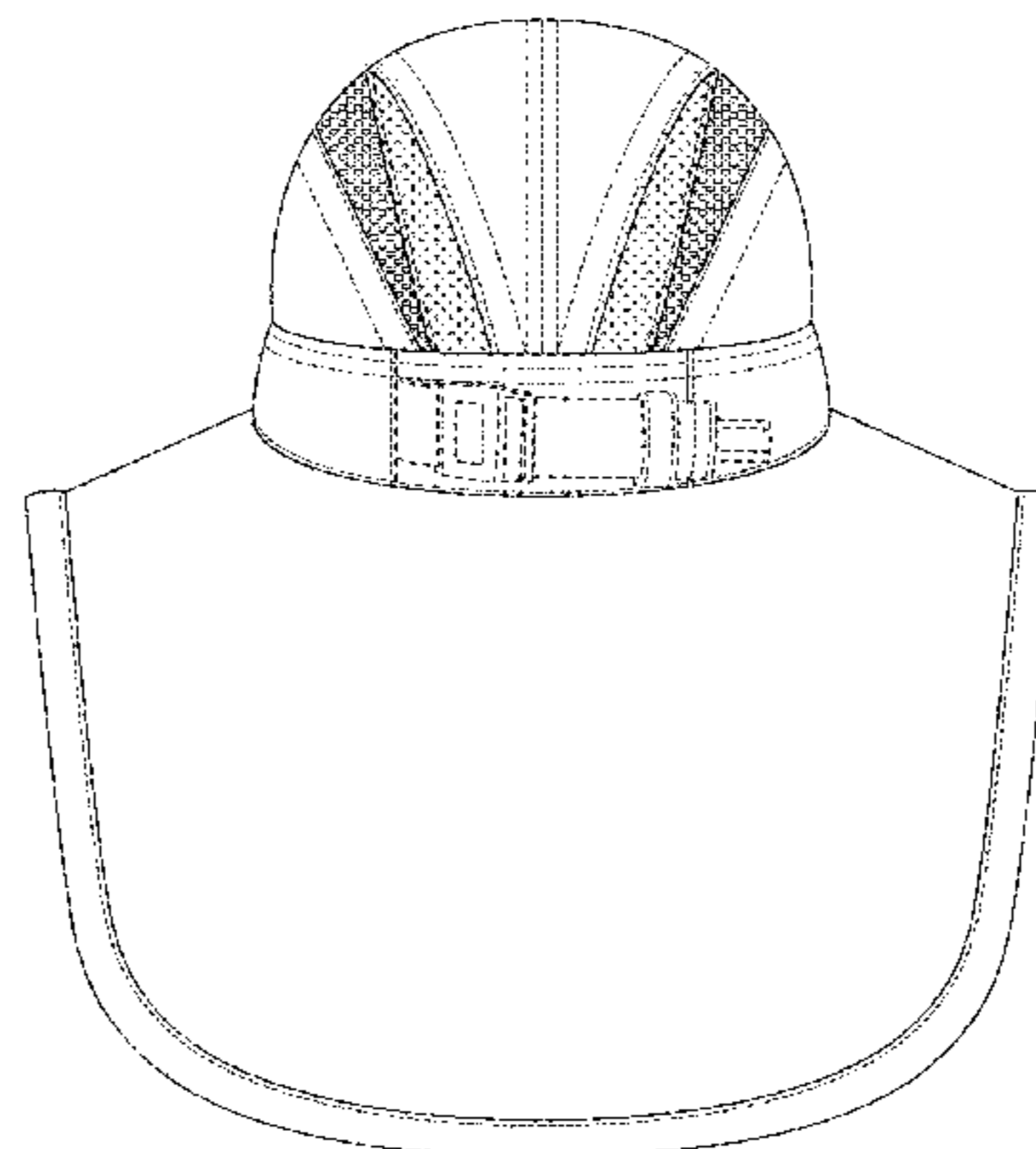
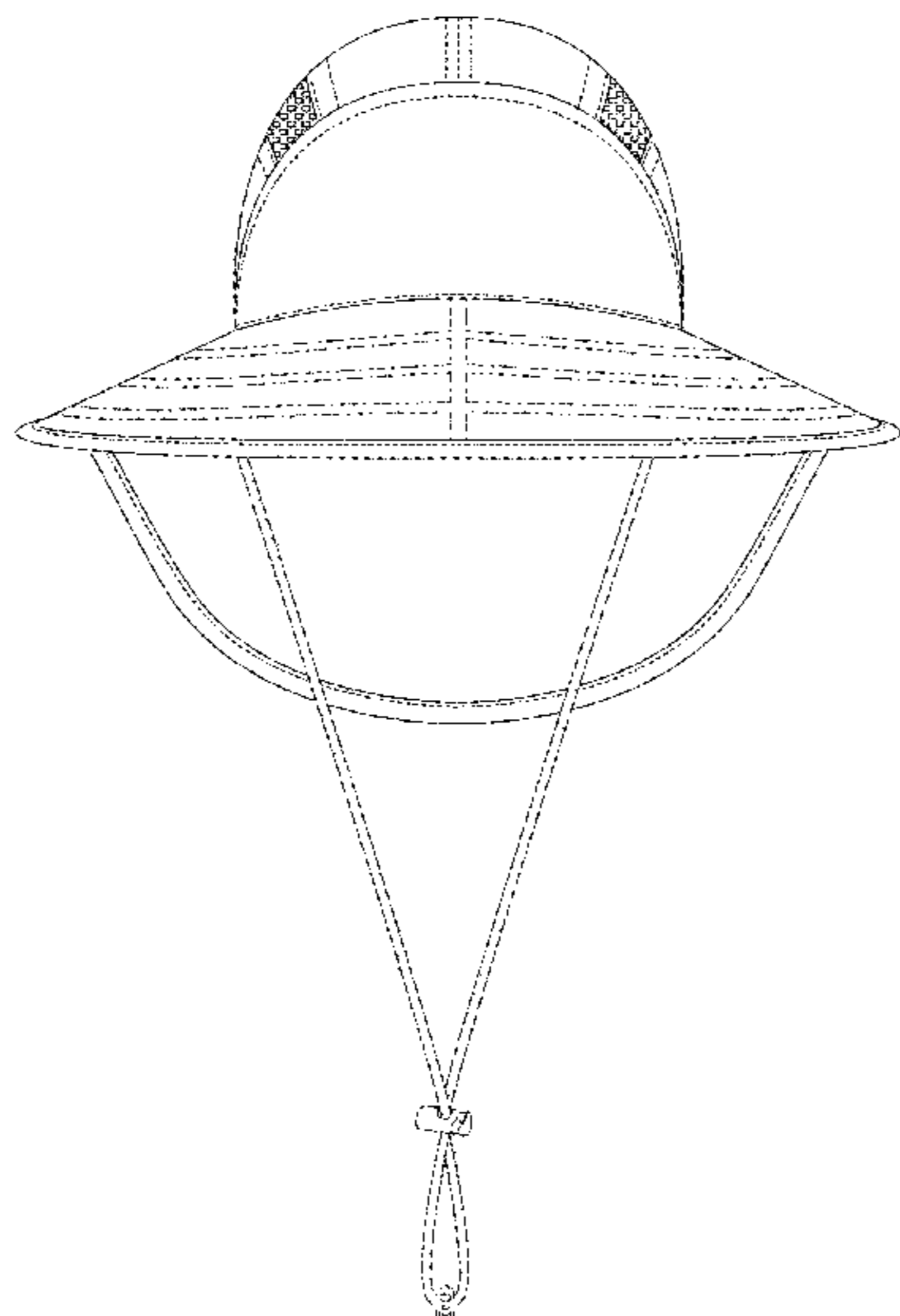
FIG. 6 is a bottom plan view thereof.

The evenly incremented dashed lines represent environmental structure only and form no part of the claimed design. The dash-and-dot style broken lines on the brim of the hat illustrate stitching that forms part of the claimed design.

In FIG. 6, the dash-and-dot style broken lines shown in the interior of the crown represent boundary lines. The area enclosed by the boundary lines, and the boundary lines themselves form no part of the claimed design.

Patterned shading shown on the hat crown is included in FIGS. 1-6 to show contrasting materials of the wide-brimmed hat, where repeating patterns of offset rows of rounded shapes shown in FIGS. 1-5 and dot stippling shown in FIGS. 2-5 each indicate contrast in material, namely material appearance, relative to each other.

1 Claim, 6 Drawing Sheets



US D827,990 S

Page 2

(58) **Field of Classification Search**

CPC .. A42B 1/00; A42B 1/008; A42B 1/02; A42B 1/06; A42B 1/061; A42B 1/062; A42B 1/066; A42B 1/067; A42B 1/20; A42B 1/201; A42B 1/205; A42B 1/22

See application file for complete search history.

9,655,396 B1* 5/2017 Lacy A42B 1/206
2006/0048272 A1* 3/2006 Tison A42B 1/02
2/175.1
2006/0168709 A1* 8/2006 Rattay A42B 1/201
2/183

(56)

References Cited

U.S. PATENT DOCUMENTS

D399,992 S * 10/1998 Edmark D2/880
D429,406 S * 8/2000 Thaw D2/879
6,484,323 B1* 11/2002 Pu A42B 1/201
2/10
D478,409 S * 8/2003 Lesley A41D 13/01
D2/873
D593,732 S * 6/2009 Tilley D2/886
D594,185 S * 6/2009 Lacy D2/879
D599,533 S * 9/2009 Yun D2/879
D619,788 S * 7/2010 Lacy D2/879
D681,926 S * 5/2013 Votel D2/880
D714,528 S * 10/2014 Bartelt D2/866
D732,243 S * 6/2015 Votel D2/893
D785,911 S * 5/2017 Arenson D2/886

FOREIGN PATENT DOCUMENTS

EM 003090653-0003 * 11/2016
EM 003090653-0004 * 11/2016

OTHER PUBLICATIONS

Sundancer Hat, [on-line]; [posted to the Internet on Feb. 9, 2016]; [retrieved from the Internet Feb. 16, 2017]; URL: <<https://www.youtube.com/watch?v=fwGYq7B9Ue4>>. (6 pages).*

DermaSafe Hat, [on-line]; [posted to the Internet on Feb. 9, 2016]; [retrieved from the Internet Feb. 16, 2017]; URL: <<https://www.youtube.com/watch?v=Y9mHFIdY1fE>>. (8 pages).*

Wahoo Cap, [on-line]; [publication date to the Internet unknown]; [retrieved from the Internet on Feb. 16, 2017]; URL: <<https://www.sundayafternoons.com/p/wahoo-cap/>>. (4 pages).*

* cited by examiner

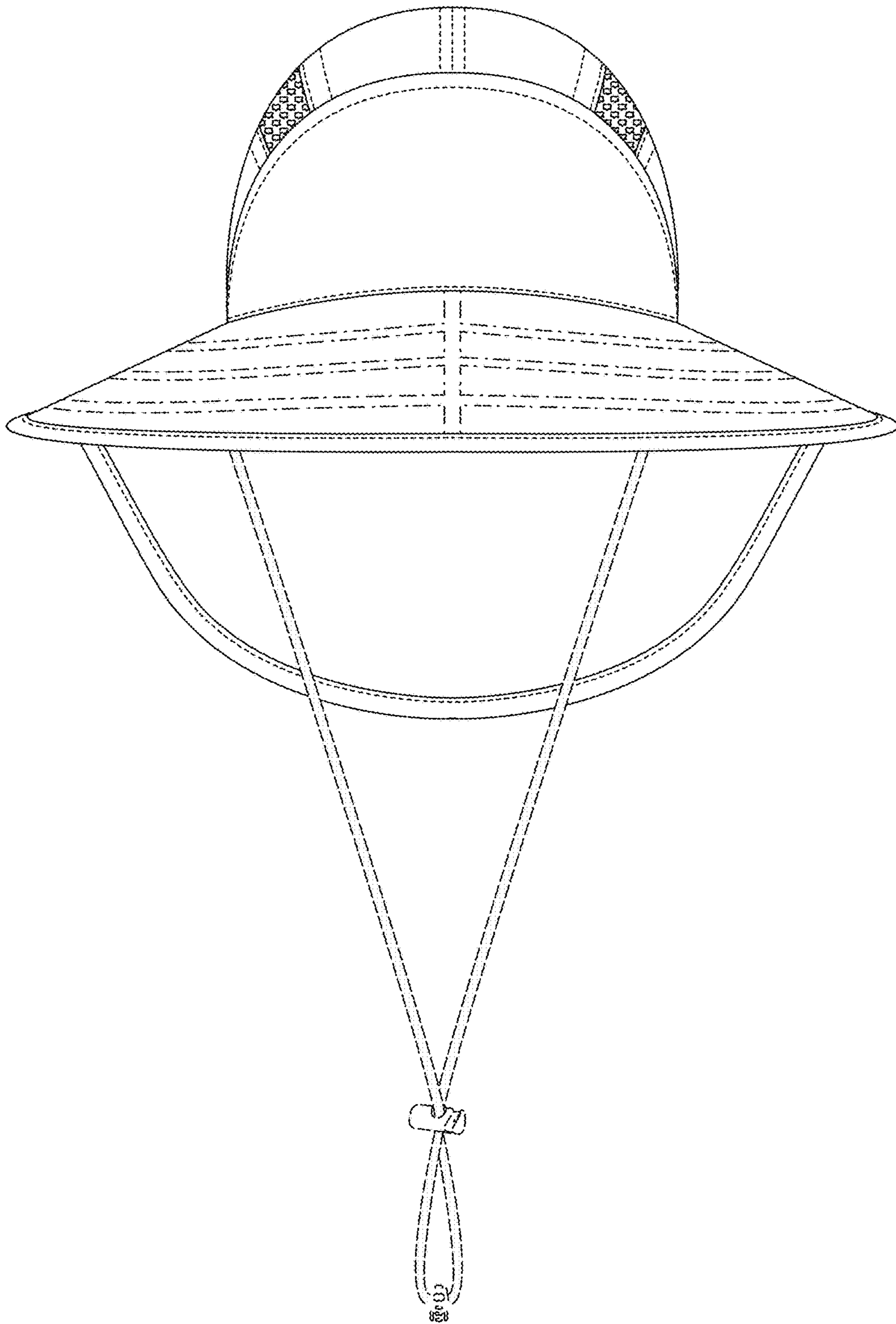


FIG. 1

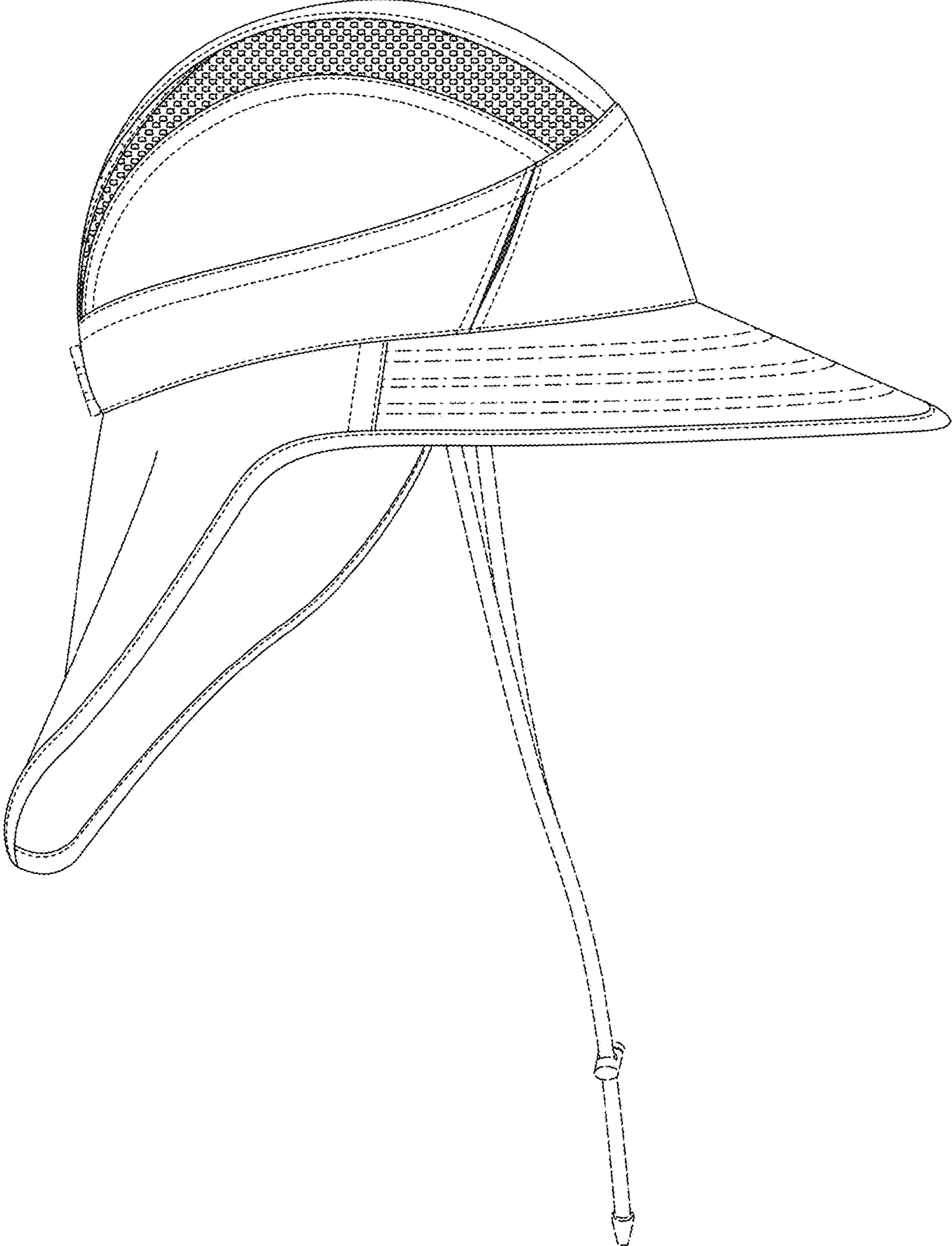


FIG. 2

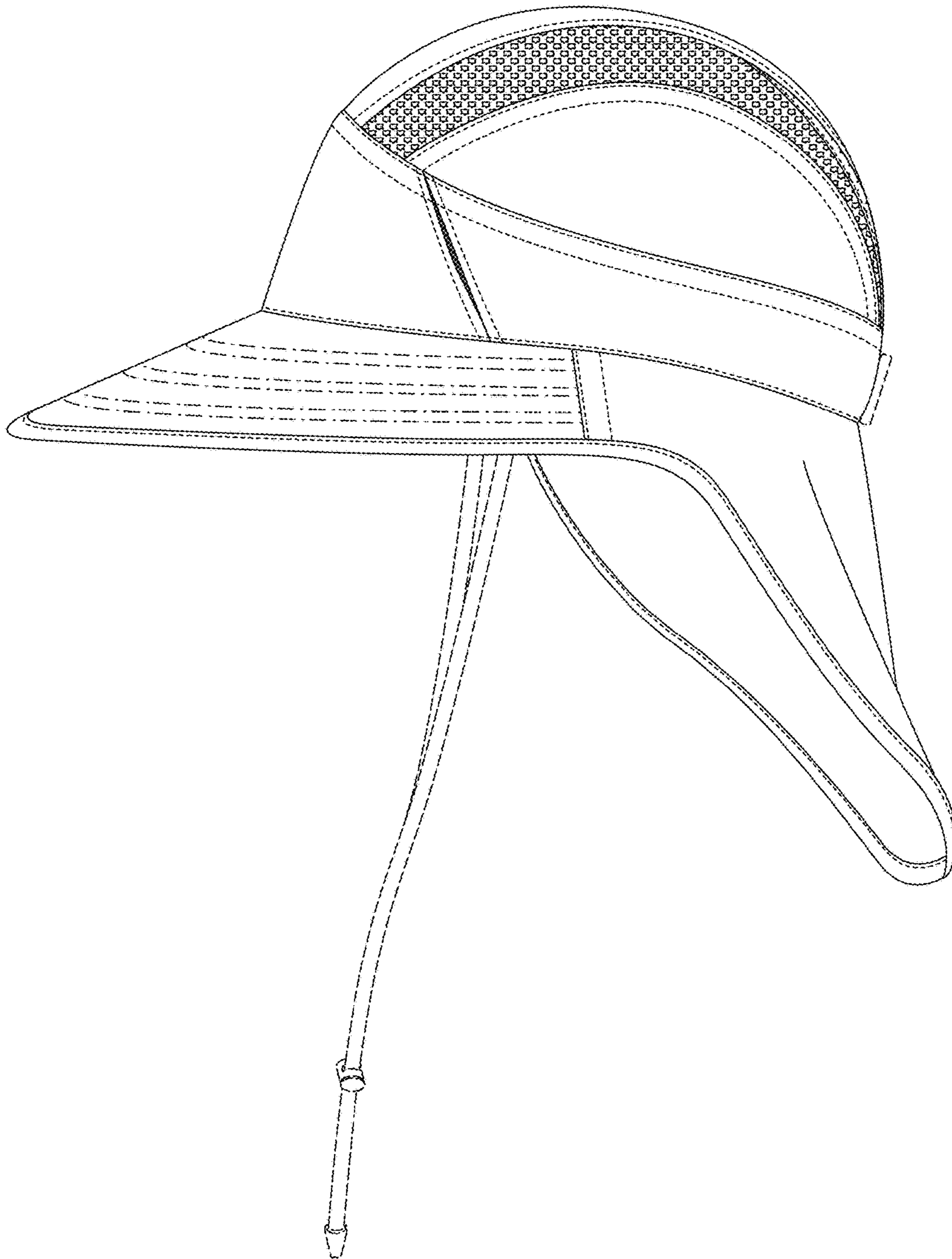


FIG. 3

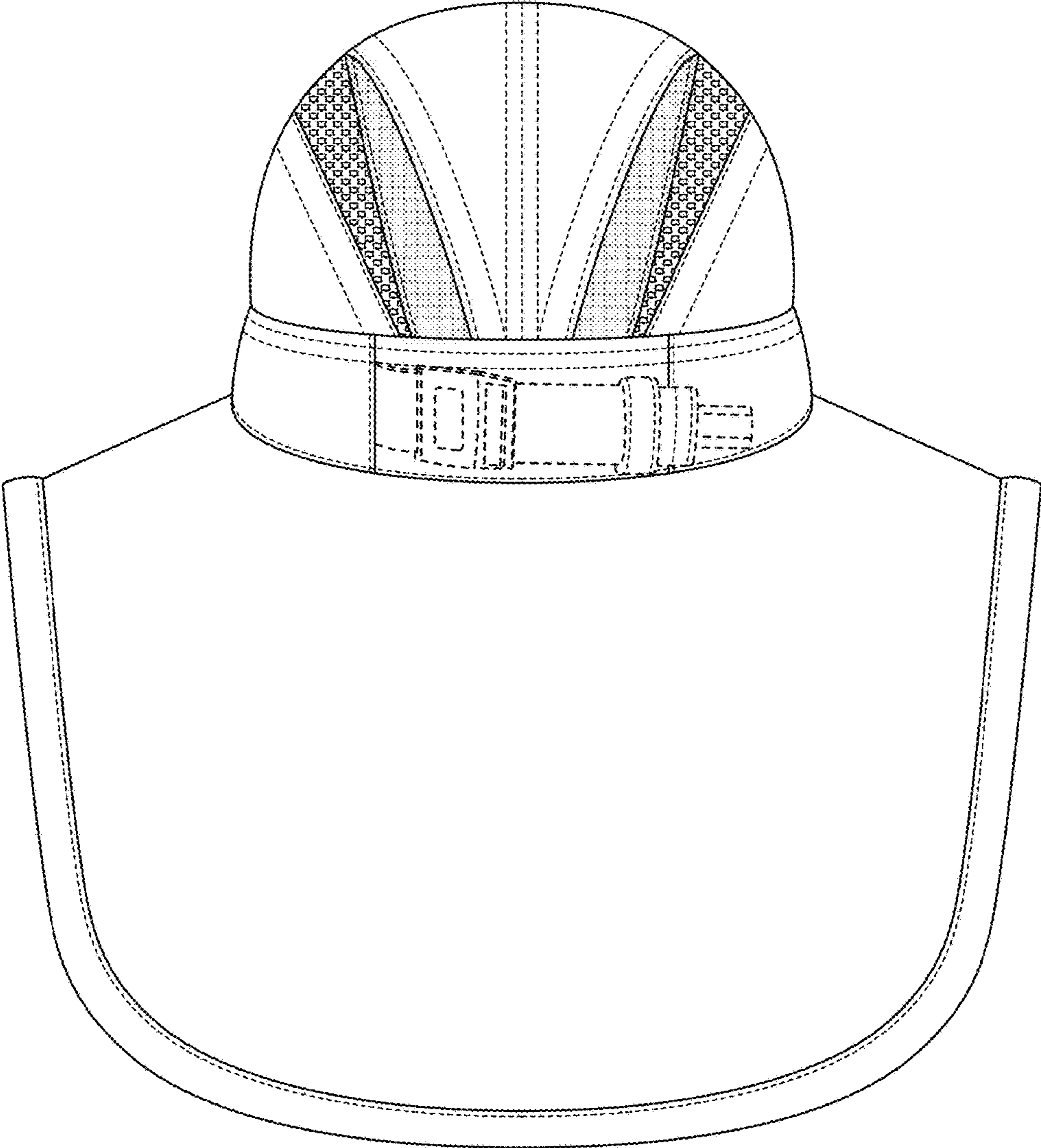


FIG. 4

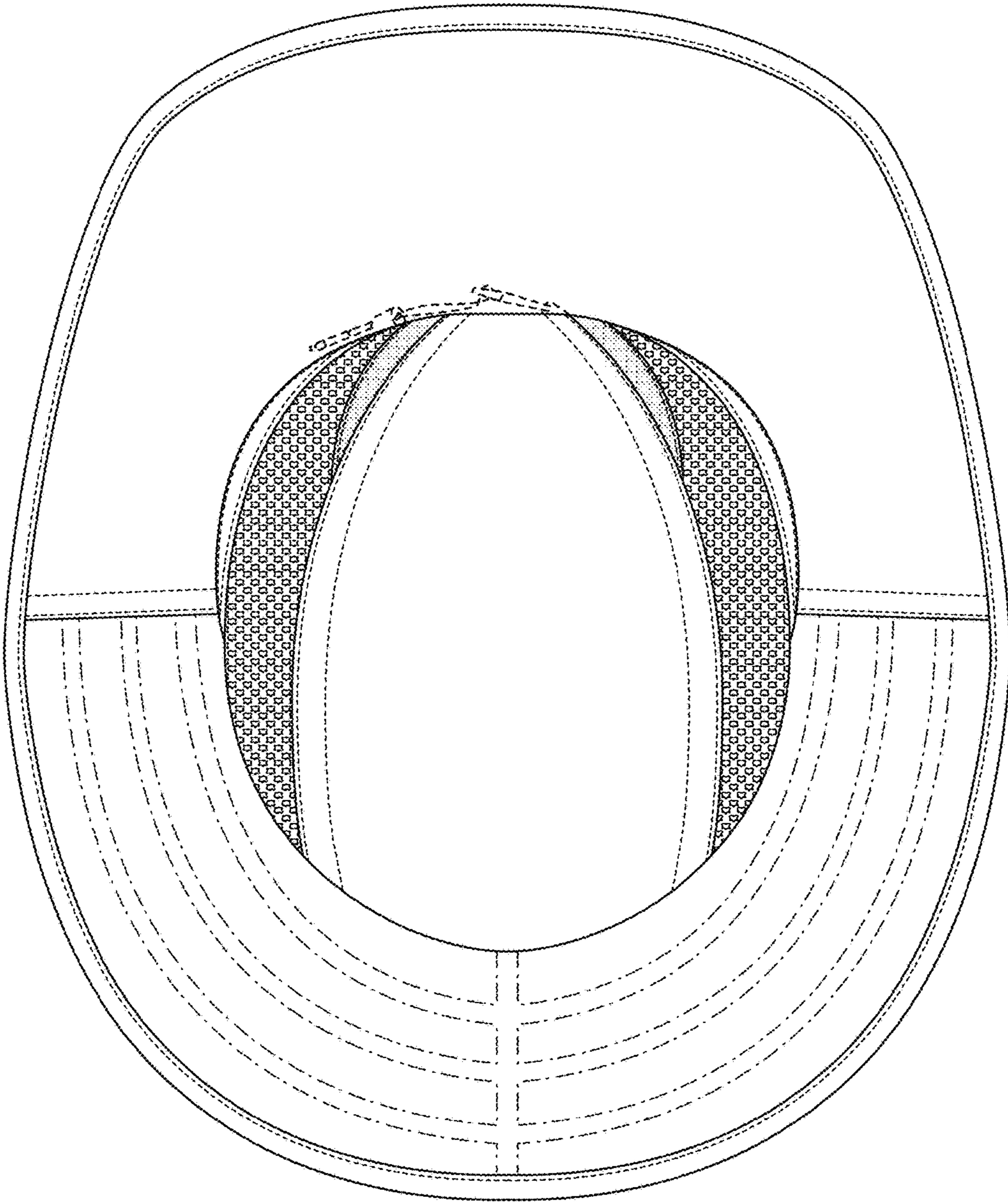


FIG. 5

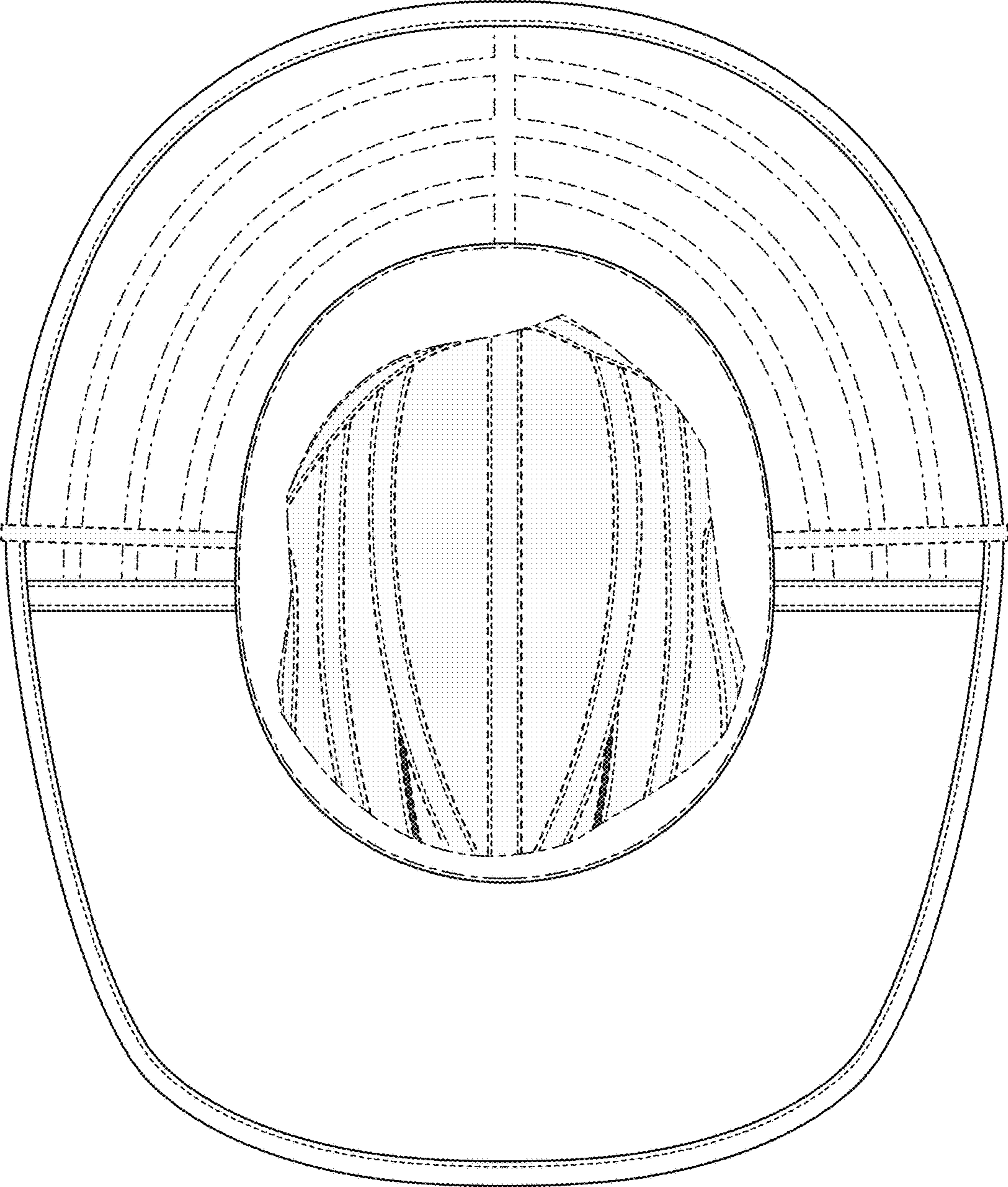


FIG. 6