



US00D827988S

(12) **United States Design Patent**
Jordan et al.

(10) **Patent No.:** **US D827,988 S**
(45) **Date of Patent:** **** Sep. 11, 2018**

(54) **SHIRT STAY WITH SOCKET FASTENER**

(71) Applicants: **Terrance T. Jordan**, Camden, DE
(US); **Marisol Jordan**, Camden, DE
(US)

(72) Inventors: **Terrance T. Jordan**, Camden, DE
(US); **Marisol Jordan**, Camden, DE
(US)

(**) Term: **15 Years**

(21) Appl. No.: **29/579,904**

(22) Filed: **Oct. 4, 2016**

Related U.S. Application Data

(63) Continuation-in-part of application No. 13/683,288,
filed on Nov. 21, 2012, now abandoned.

(51) **LOC (11) Cl.** **02-02**

(52) **U.S. Cl.**
USPC **D2/859**

(58) **Field of Classification Search**

USPC D2/602, 624, 728, 853, 858, 859, 861;
D11/201, 220, 222

CPC Y10T 24/36; Y10T 24/3448; Y10T 24/38;
Y10T 24/44179; Y10T 24/1945; Y10T
24/4607; Y10T 24/4609; B29L 2019/00;
A41F 9/025; A41H 37/10; D05B 97/10

See application file for complete search history.

(56) **References Cited**

U.S. PATENT DOCUMENTS

343,824 A * 6/1886 Lowe D06F 55/00
24/571
414,602 A * 11/1889 Stone A41F 1/02
2/265
494,064 A * 3/1893 Johnston A41C 1/14
2/255
723,560 A 3/1903 Van Duyn

849,253 A * 4/1907 Mansfield A41F 15/002
2/230
1,421,690 A * 7/1922 Howard A41F 11/16
2/321
1,540,003 A * 6/1925 Haller A41F 9/00
2/266
2,056,742 A * 10/1936 Sarachek A41C 1/18
2/257
2,114,222 A 4/1938 Holben
2,524,842 A * 10/1950 Slamon B29C 66/8612
156/293
2,596,112 A * 5/1952 Aines A41D 1/06
2/232
2,608,692 A * 9/1952 Berg A41F 11/02
2/304

(Continued)

Primary Examiner — Kevin Keith Rudzinski

Assistant Examiner — Paul D Bohannon

(74) *Attorney, Agent, or Firm* — Cramer Patent & Design,
PLLC; Aaron R. Cramer

(57) **CLAIM**

The ornamental design for a shirt stay with socket fastener,
as shown and described.

DESCRIPTION

FIG. 1 is a front perspective view of a shirt stay with socket
fastener, showing our new design;

FIG. 2 is a back perspective view thereof;

FIG. 3 is a back side elevation view thereof;

FIG. 4 is a front side elevation view thereof;

FIG. 5 is a right side elevation view thereof;

FIG. 6 is a left side elevation view thereof;

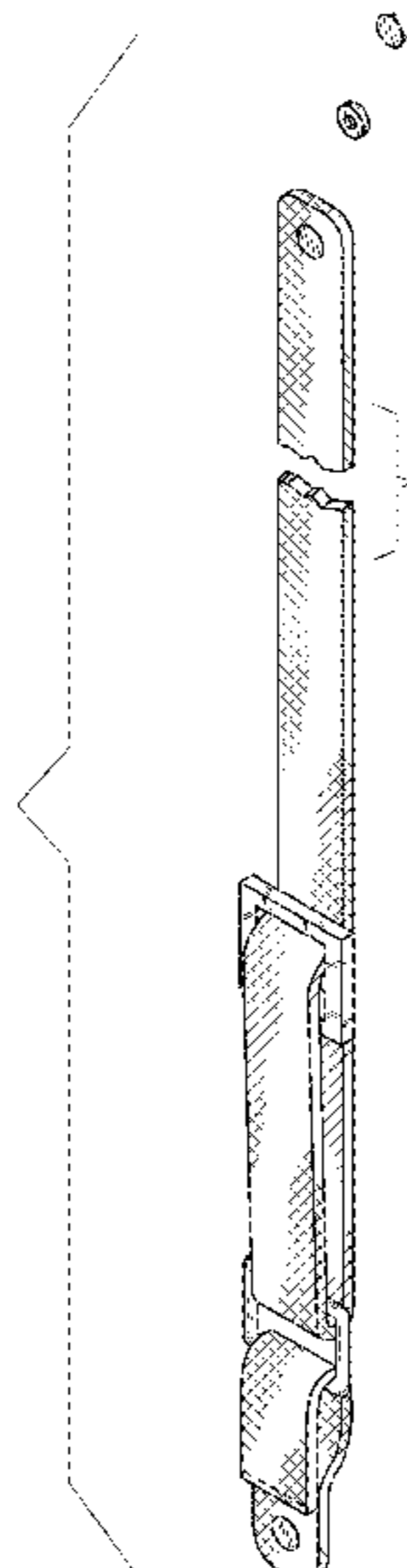
FIG. 7 is an enlarged top side plan view thereof; and,

FIG. 8 is an enlarged bottom side plan view thereof.

The separation and a small bracket depicted in FIGS. 1-6 is
utilized to indicate a symbolic break in the claimed design.

The bracket and portions between the breaks that are not
shown form no part thereof.

1 Claim, 8 Drawing Sheets



(56)

References Cited

U.S. PATENT DOCUMENTS

2,636,183	A *	4/1953	Andrews	A41F 11/12	
					2/335
3,002,193	A	10/1961	Briskman		
3,961,376	A	6/1976	Howell		
4,580,298	A *	4/1986	Tuisl	A41F 9/025	
					2/220
4,825,475	A	5/1989	Smart		
D349,180	S	8/1994	Oldham		
D360,742	S	8/1995	Wilkins		
5,575,011	A *	11/1996	Allen	A41F 9/002	
					2/227
D418,273	S *	1/2000	Fulsom	D2/602	
6,085,356	A *	7/2000	Redmond, Sr.	A41F 9/02	
					2/220
6,223,352	B1	5/2001	Watlington		
6,339,848	B1 *	1/2002	Mayhood	A41F 9/002	
					2/338
D488,288	S *	4/2004	Eggers	D2/624	
D613,479	S *	4/2010	Farmer	D2/853	
7,765,613	B2 *	8/2010	Carr	A41D 1/205	
					2/104
D664,890	S *	8/2012	Featherston	D11/201	
D693,992	S *	11/2013	Dinunzio	D11/220	
9,003,566	B2 *	4/2015	Weiss	A41B 3/06	
					2/132
D793,671	S *	8/2017	Grenville	D2/853	
2011/0099686	A1	5/2011	Carter		
2012/0227163	A1 *	9/2012	Schottenstein	A41B 3/06	
					2/255

* cited by examiner

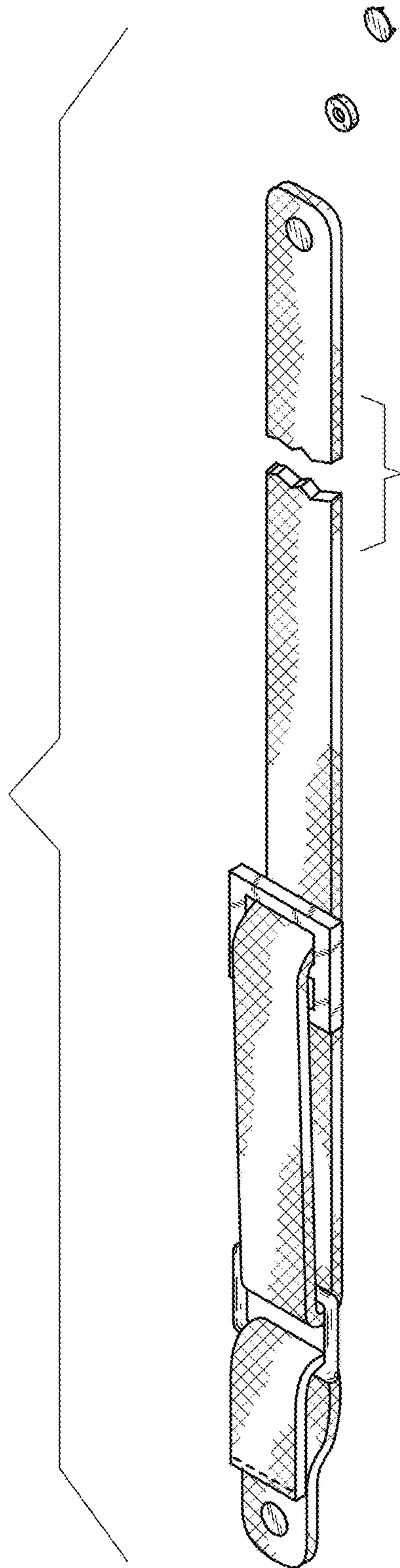


FIG. 1

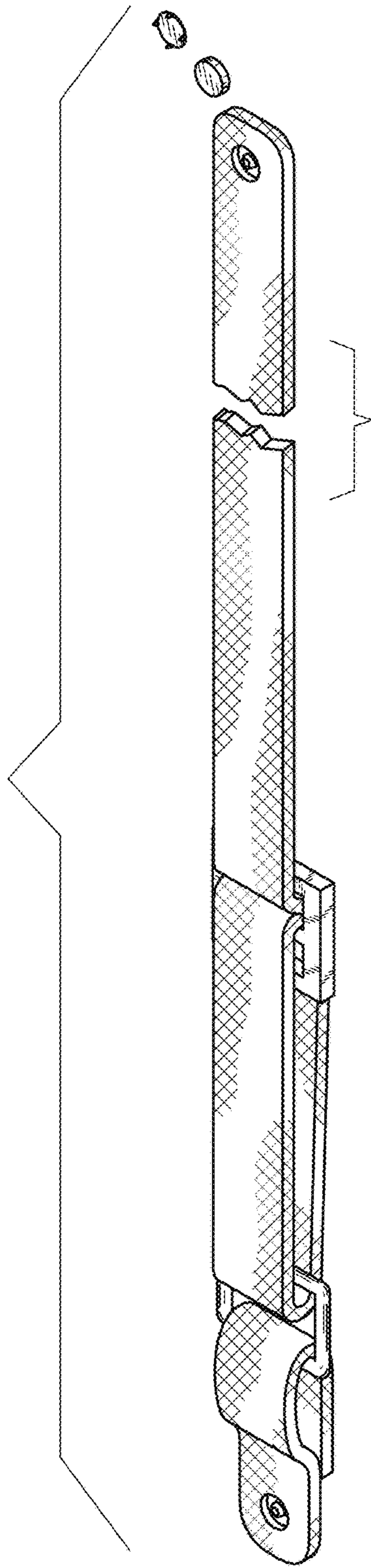


FIG. 2

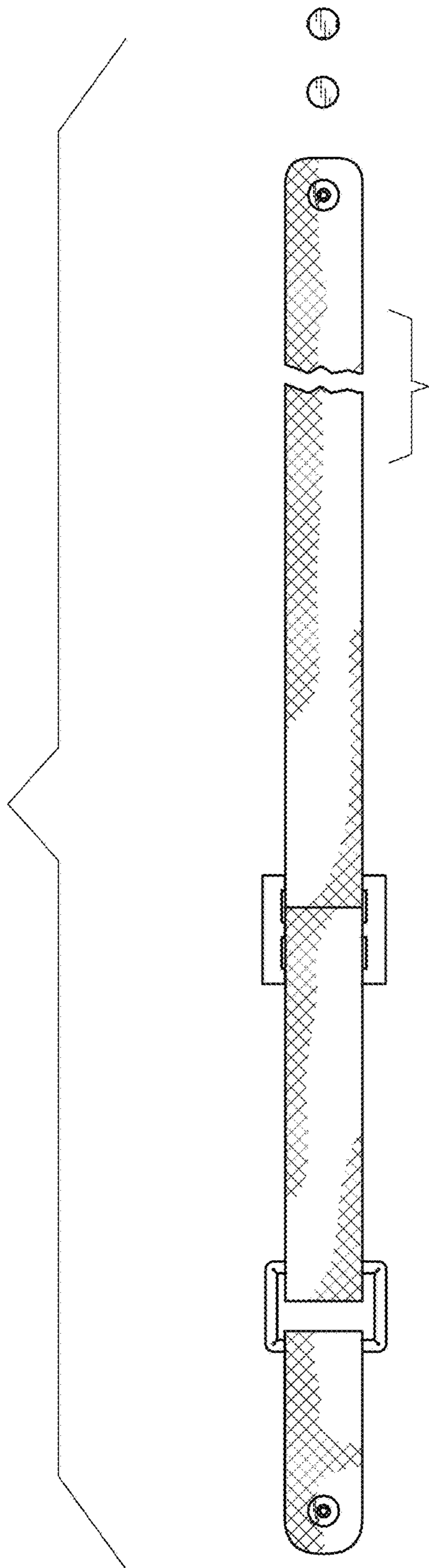


FIG. 3

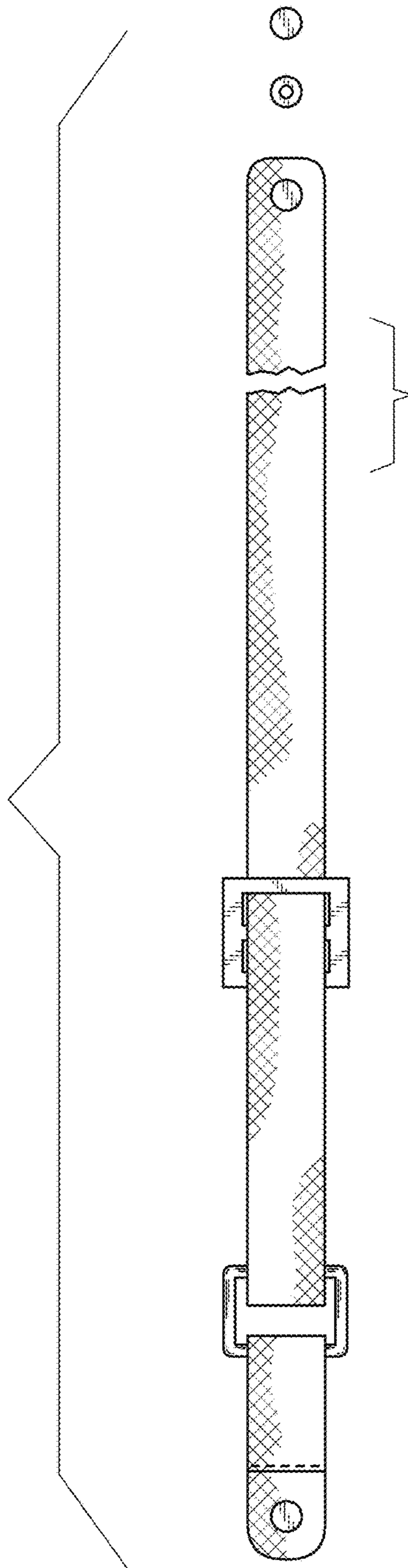


FIG. 4

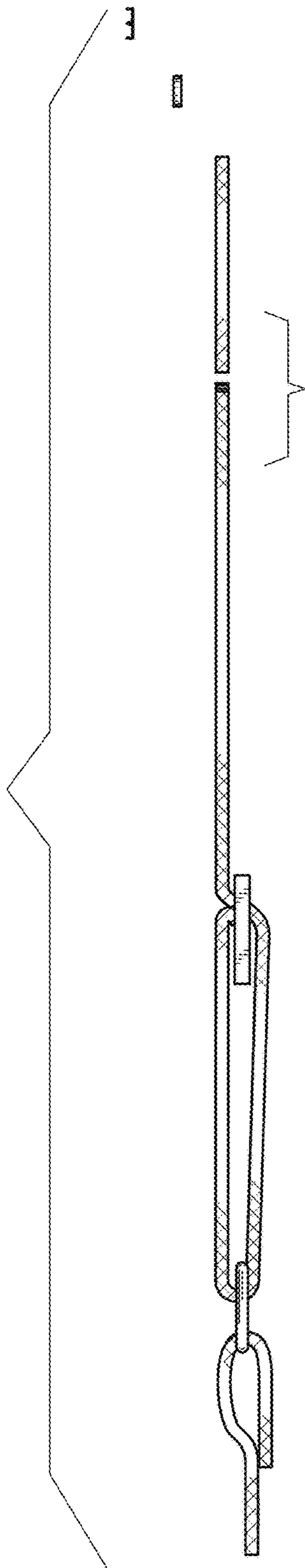


FIG. 5

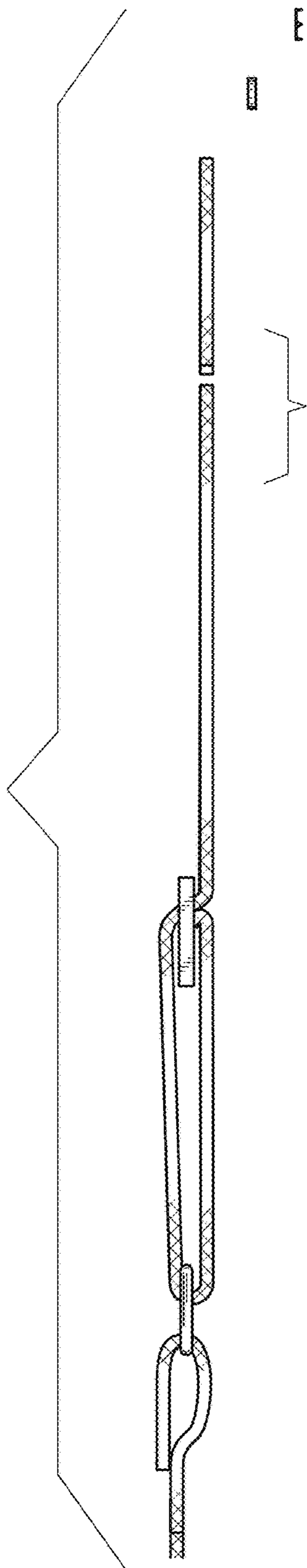


FIG. 6

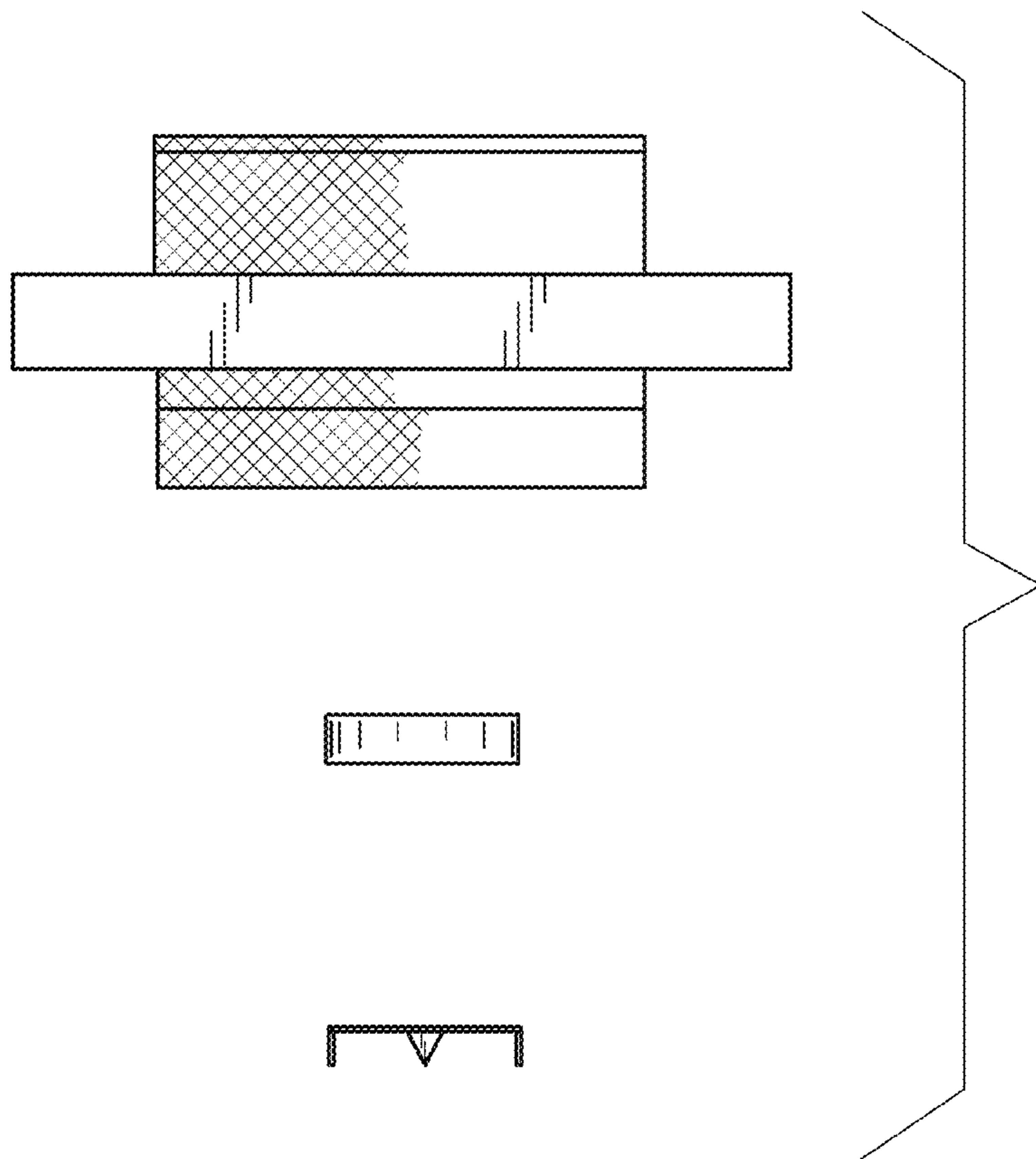


FIG. 7

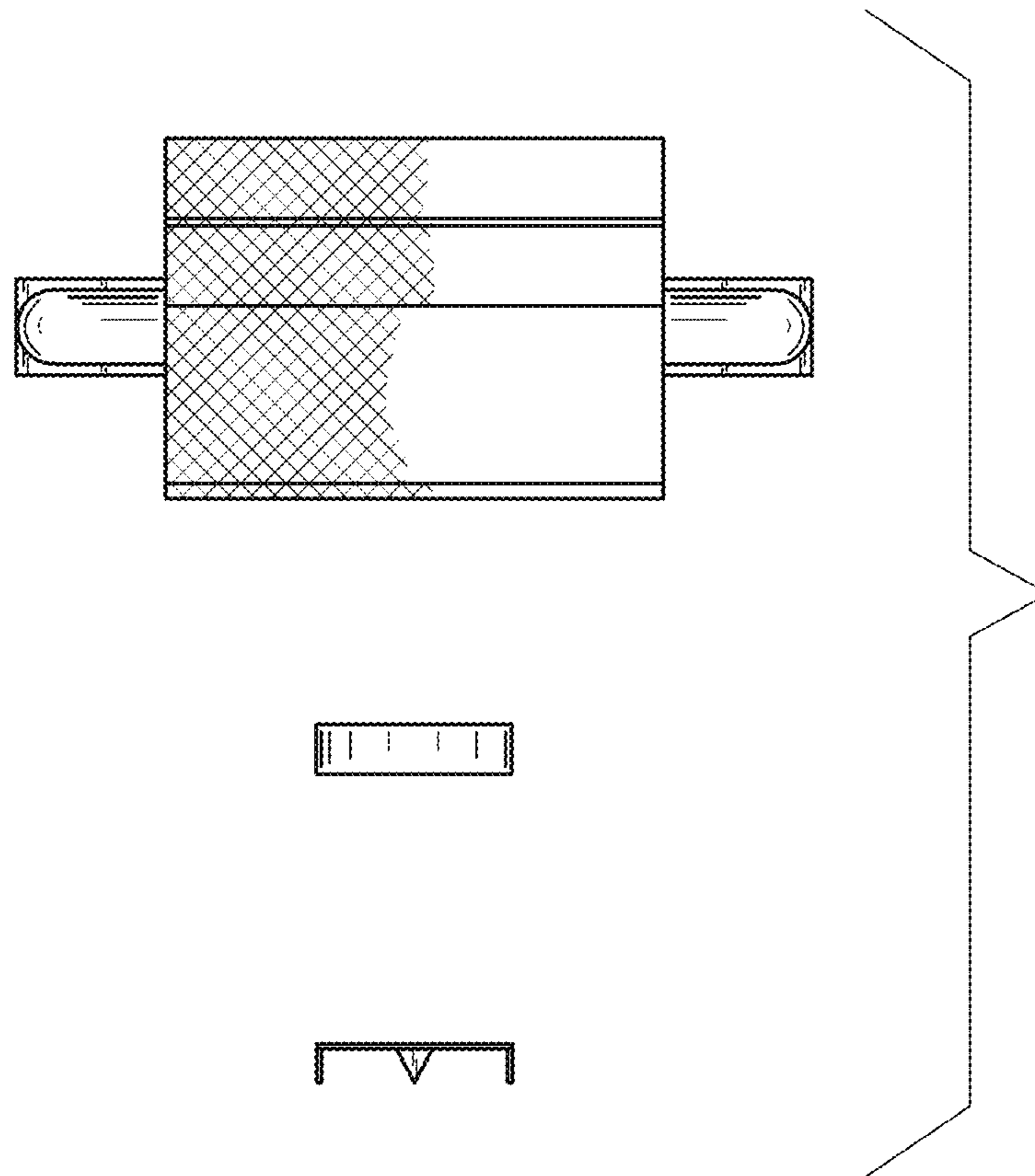


FIG. 8