



US00D827976S

(12) **United States Design Patent**  
**Allio et al.**

(10) **Patent No.:** **US D827,976 S**  
(45) **Date of Patent:** **\*\* Sep. 11, 2018**

(54) **FOOD POD**

(71) Applicant: **The Fix, LLC**, Providence, RI (US)

(72) Inventors: **Michael K. Allio**, Providence, RI (US);  
**Stephen E. Lane**, Providence, RI (US)

(73) Assignee: **THE FIX, LLC**, Providence, RI (US)

(\*\*) Term: **15 Years**

(21) Appl. No.: **29/616,452**

(22) Filed: **Sep. 6, 2017**

(51) **LOC (11) Cl.** ..... **01-01**

(52) **U.S. Cl.**  
USPC ..... **D1/130**

(58) **Field of Classification Search**  
USPC ..... D1/100–130, 199; 426/94, 104, 138,  
426/143, 144, 274, 283, 303, 391, 512,  
426/514, 518, 549; D6/597, 601;  
D7/675, 560, 566, 568, 672; D9/451,  
D9/643, 707, 710, 715; D28/8.1, 8.2;  
D21/385, 386, 707; D24/101–104  
CPC . A21C 11/12; A22C 13/0013; A21D 13/0016;  
A21D 13/0022; A21D 13/0025; A21D  
13/0029; A21D 13/0074; A23G 3/343;  
A23G 3/36; A23G 3/28; A23G 3/54;  
A23G 4/20; A23G 9/48; A61K 9/2072;  
A61K 9/2095; A23L 1/005; A23L 1/0052;  
A23L 1/0067; A23L 1/16; A23L 1/1641;  
A23L 1/217; A23V 2002/00  
See application file for complete search history.

(56) **References Cited**

**U.S. PATENT DOCUMENTS**

1,077,835 A \* 11/1913 Kelly ..... B65D 81/3261  
206/568  
2,373,182 A \* 4/1945 Gamache ..... A21C 9/068  
30/123

2,855,305 A \* 10/1958 Cella ..... A23P 20/20  
426/274  
D226,038 S \* 1/1973 Barare ..... D28/8.1  
D230,903 S \* 3/1974 Barnes ..... D1/127  
D309,521 S \* 7/1990 Eureka ..... D1/126  
D357,565 S \* 4/1995 Christensen ..... D1/130  
D436,532 S \* 1/2001 Richardson ..... D24/104  
D438,611 S \* 3/2001 Richardson ..... D24/104  
D659,346 S \* 5/2012 Augis ..... D1/129  
D685,977 S \* 7/2013 Rana ..... D1/126  
D732,267 S \* 6/2015 Rana ..... D1/126  
D734,665 S \* 7/2015 Cahen ..... D9/428

\* cited by examiner

*Primary Examiner* — Katie Jane Stofko

(74) *Attorney, Agent, or Firm* — Leason Ellis LLP

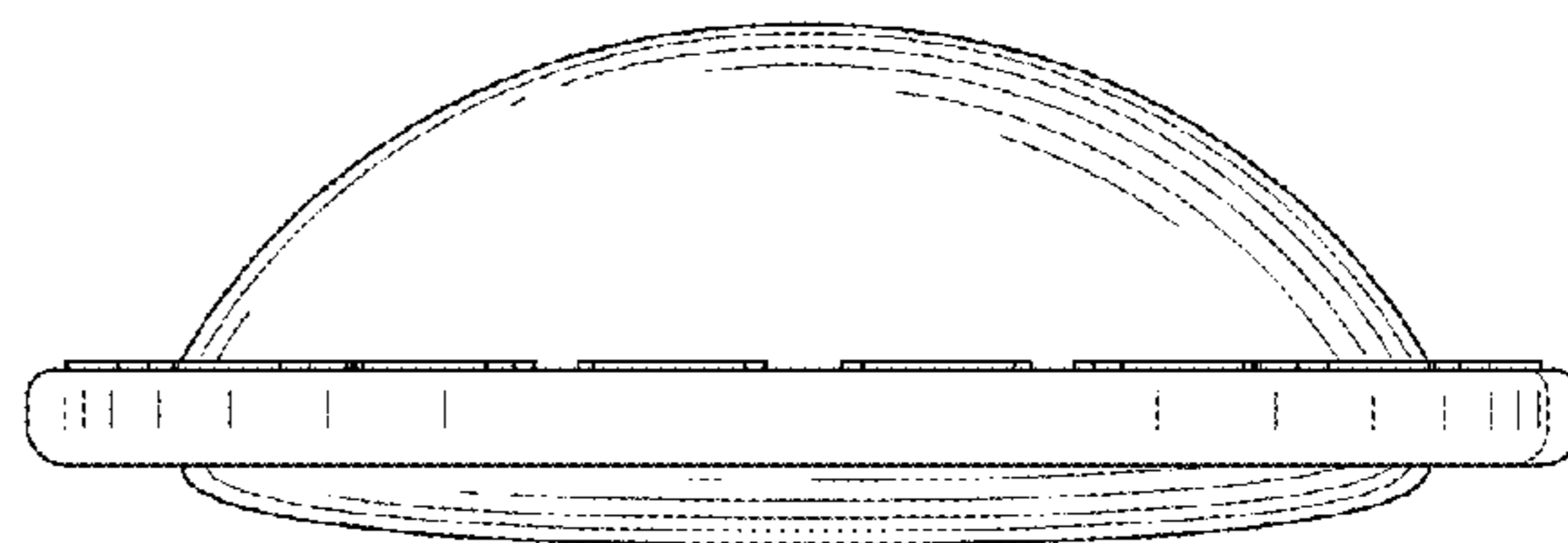
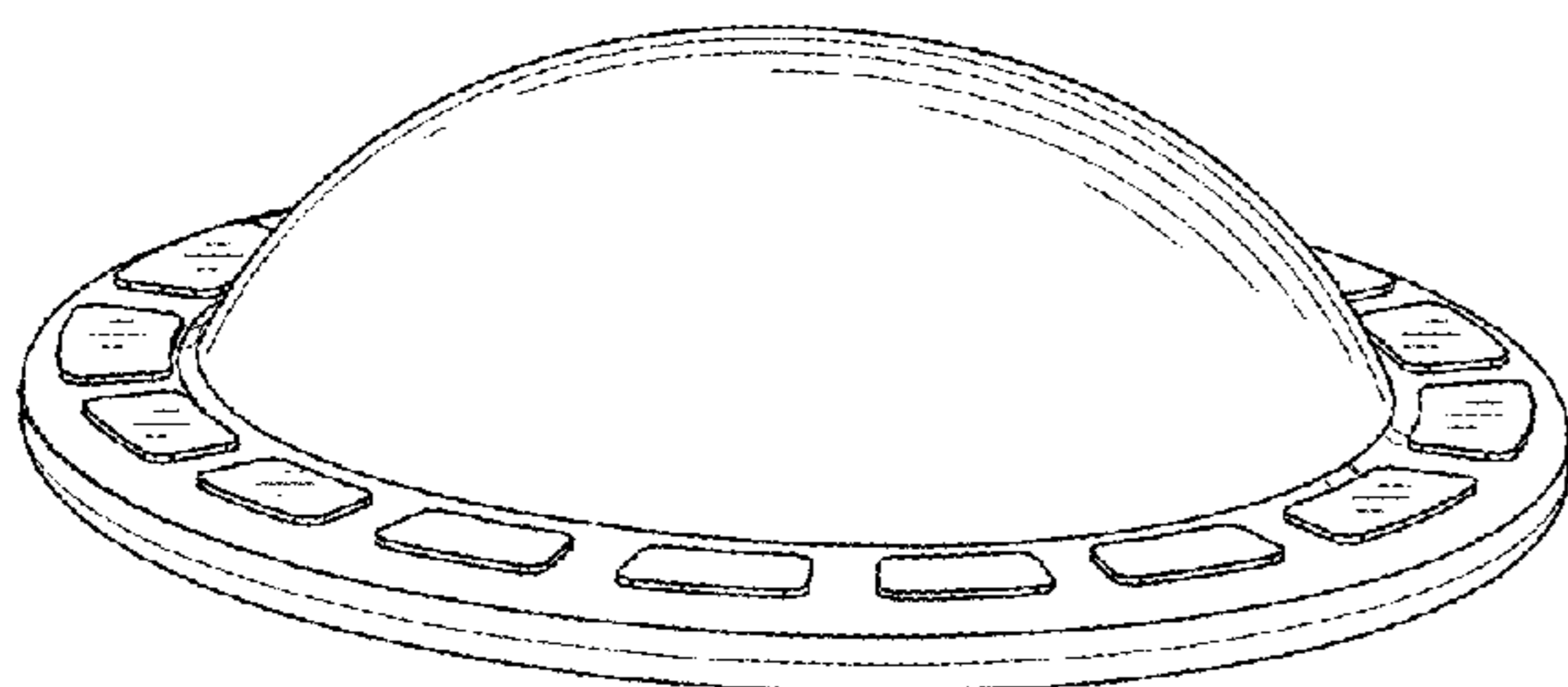
(57) **CLAIM**

The ornamental design for a food pod, as shown and described.

**DESCRIPTION**

FIG. 1 is a top and side perspective view of a food pod showing our new design;  
FIG. 2 is another top and side perspective view thereof;  
FIG. 3 is another top and side perspective view thereof;  
FIG. 4 is a top plan view thereof;  
FIG. 5 is a bottom plan view thereof;  
FIG. 6 is a front elevation view thereof, the rear view being a mirror image thereof;  
FIG. 7 is a left side elevation view thereof, the right side elevation view being a mirror image thereof;  
FIG. 8 is a cross-sectional perspective view taken along line 8-8 in FIG. 4;  
FIG. 9 is another cross-sectional perspective view taken along line 9-9 in FIG. 4; and,  
FIG. 10 is another cross-sectional perspective view taken along line 10-10 in FIG. 4.  
The centric circular lines on the exterior of the food pod are meant to show contouring, not surface ornamentation.

**1 Claim, 4 Drawing Sheets**



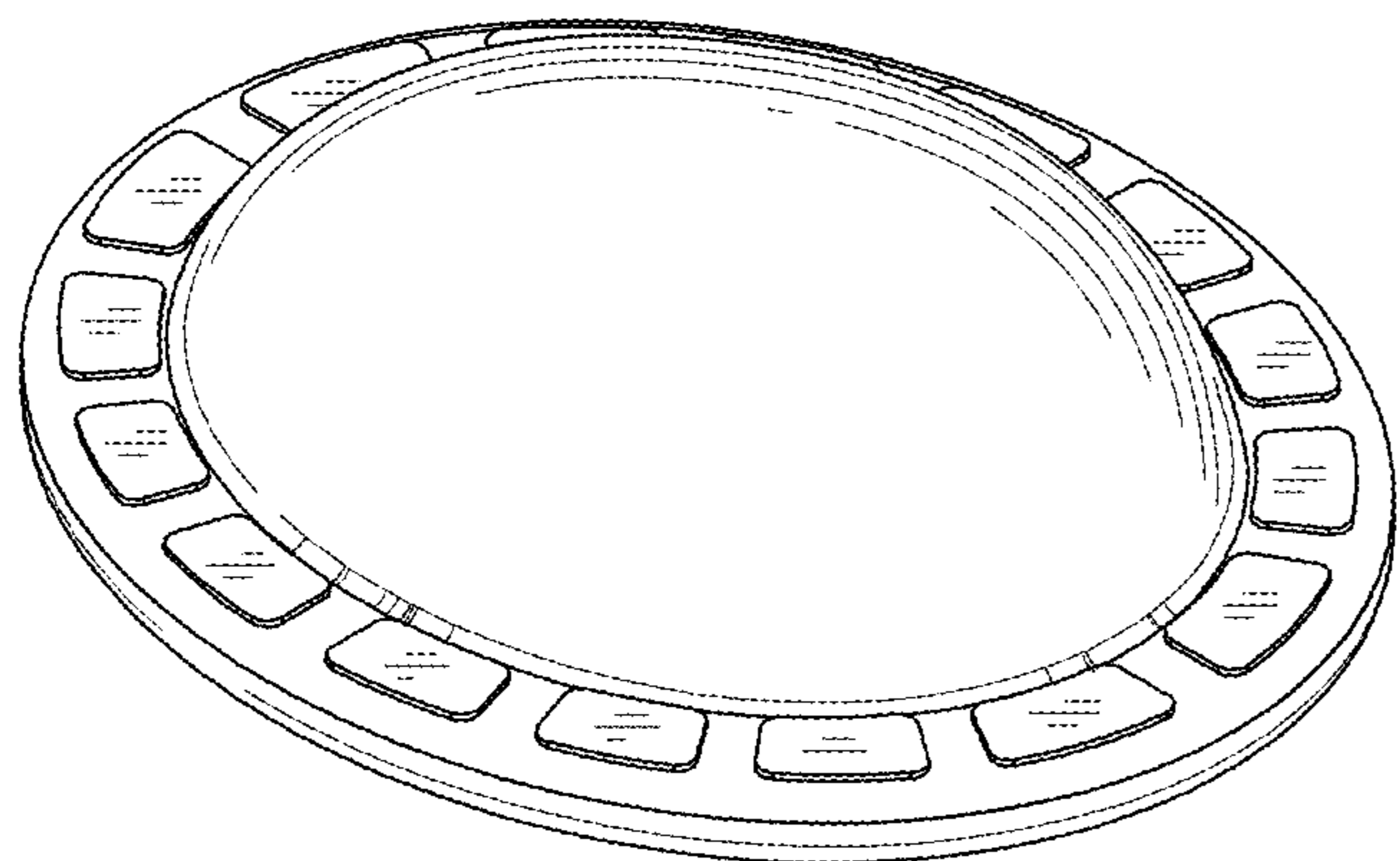


Fig. 1

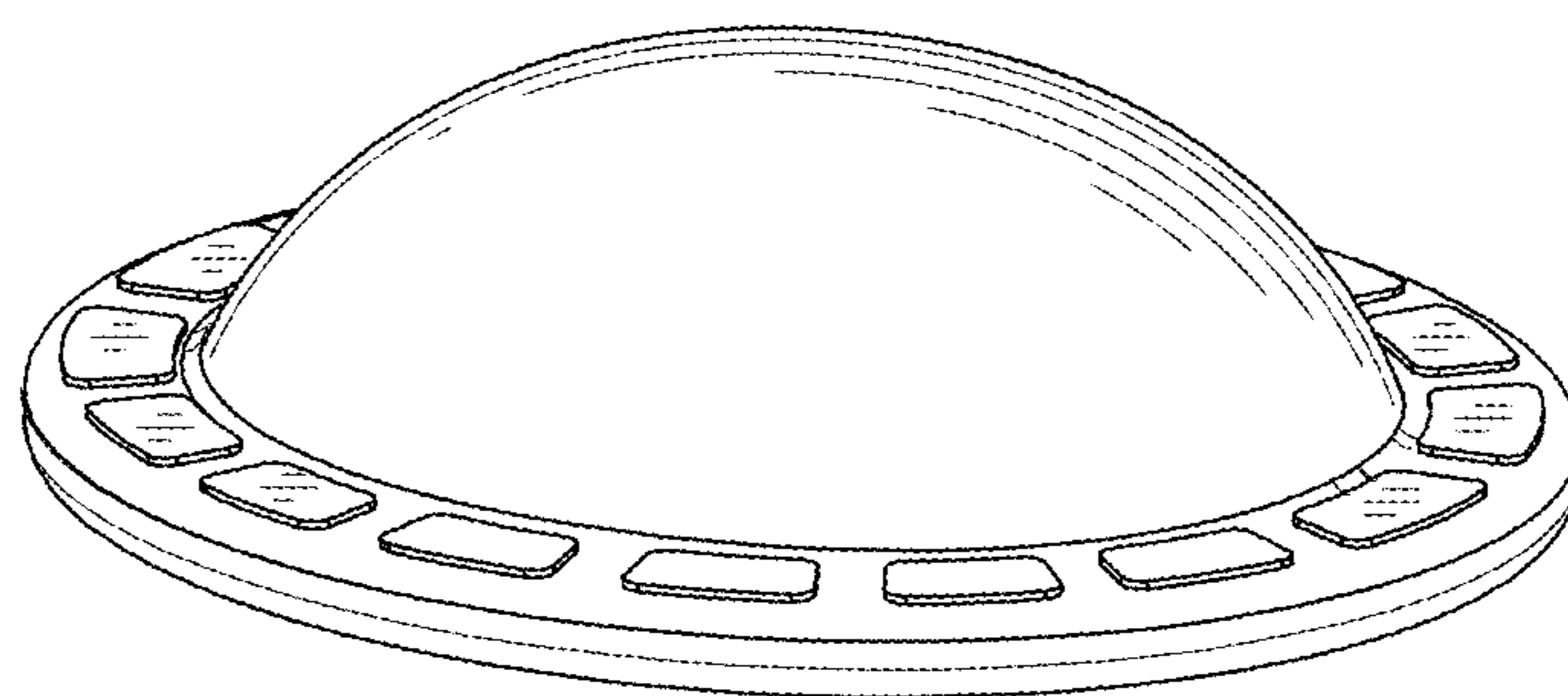


Fig. 2

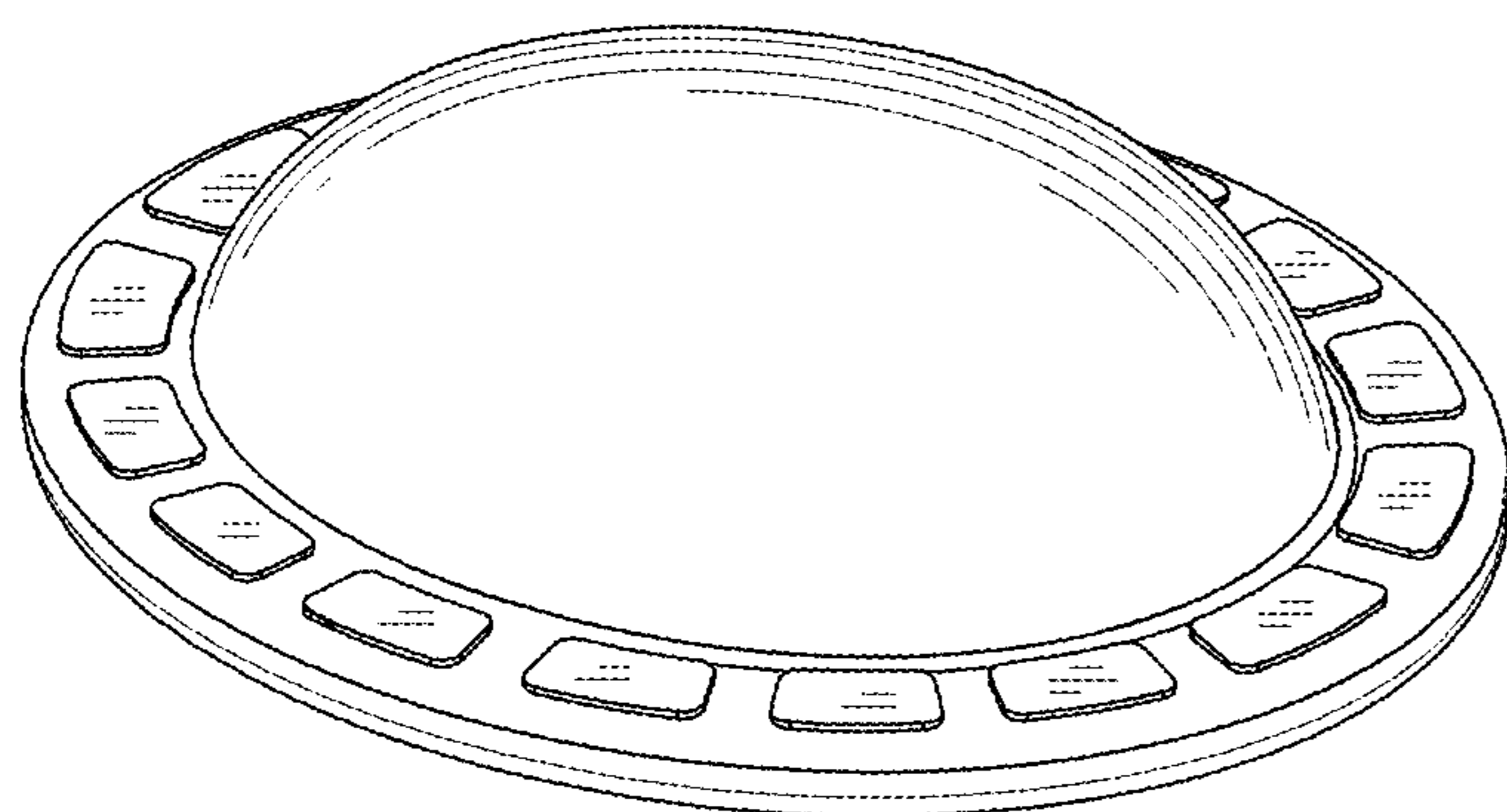


Fig. 3

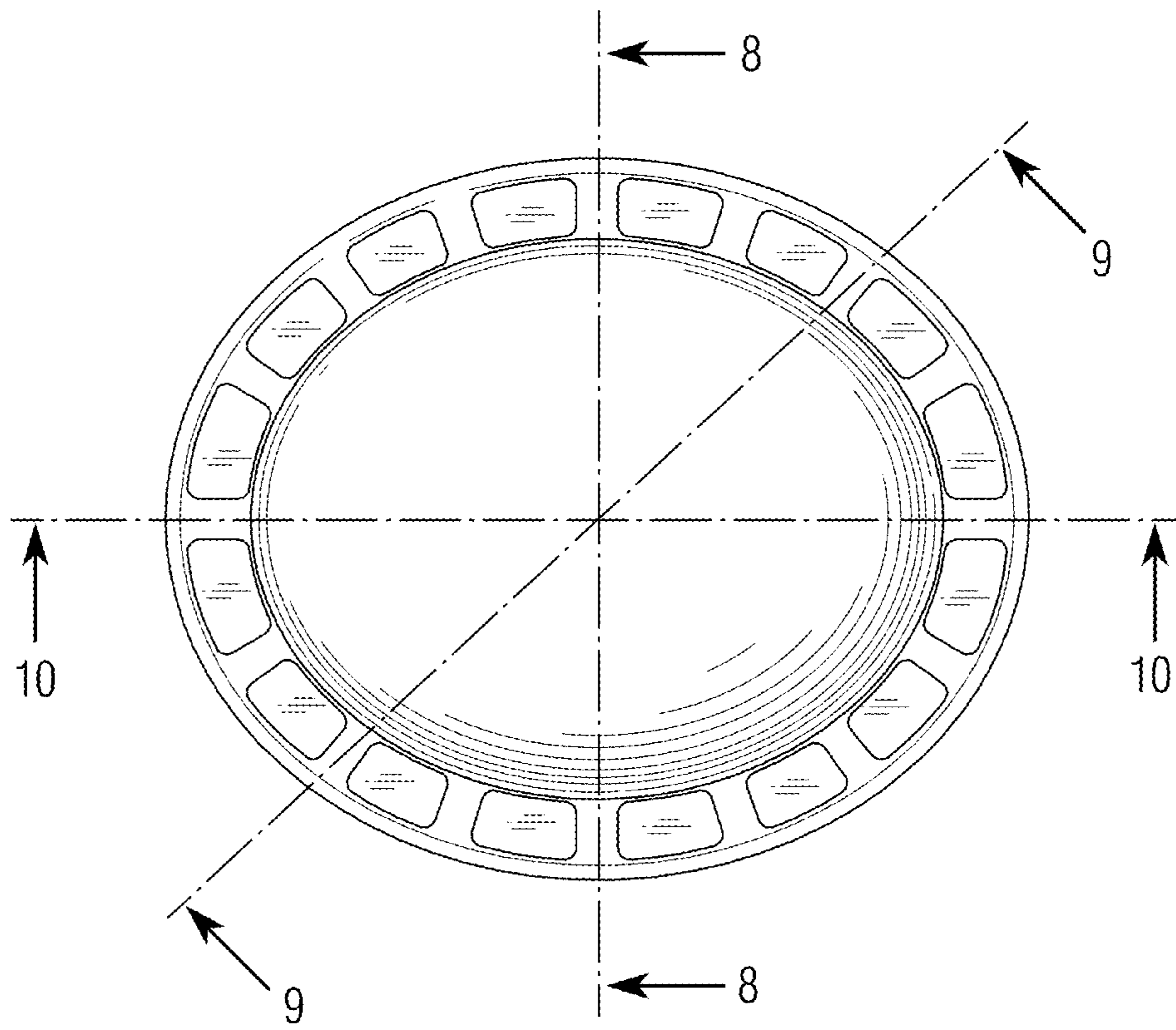


Fig. 4

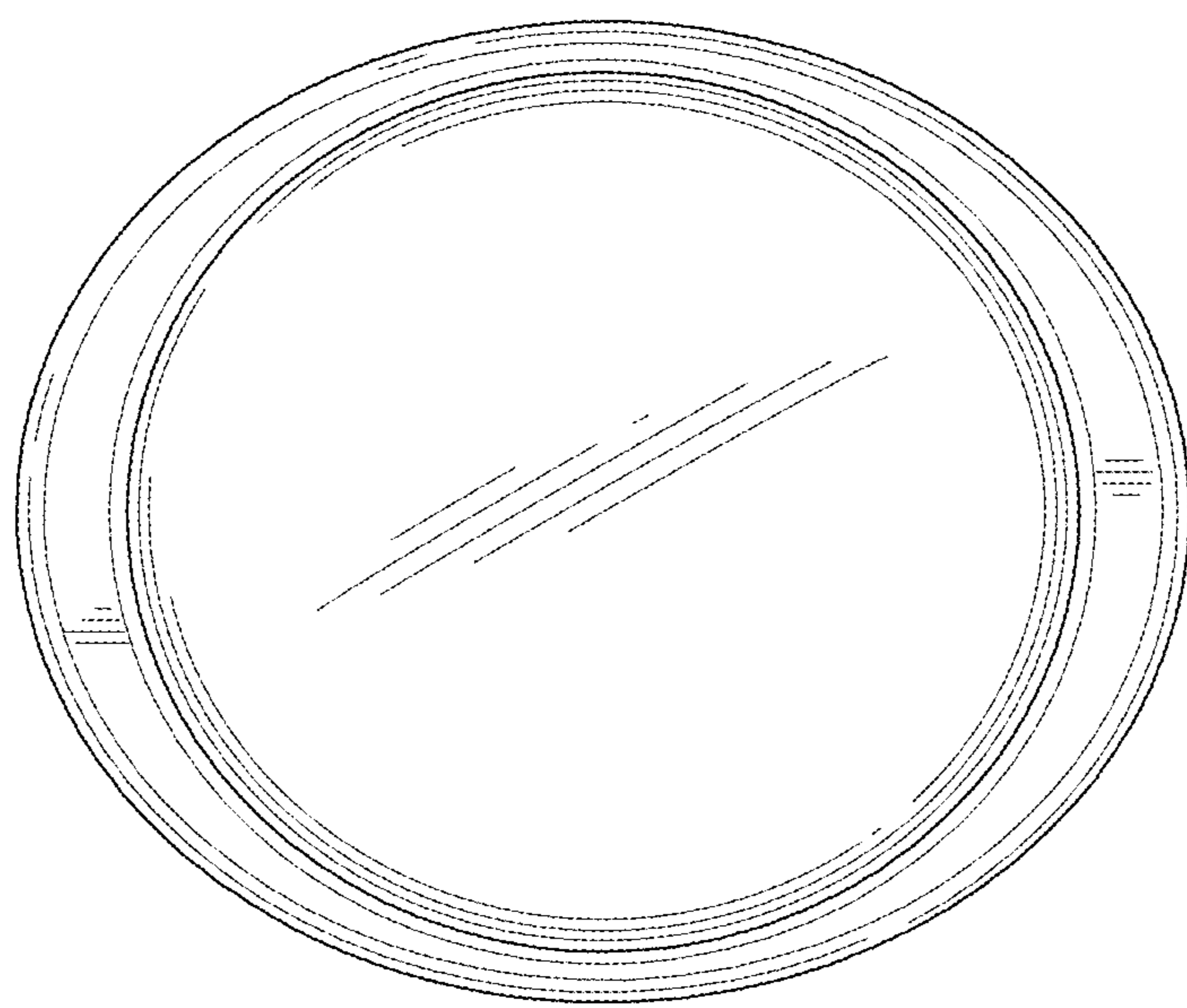


Fig. 5

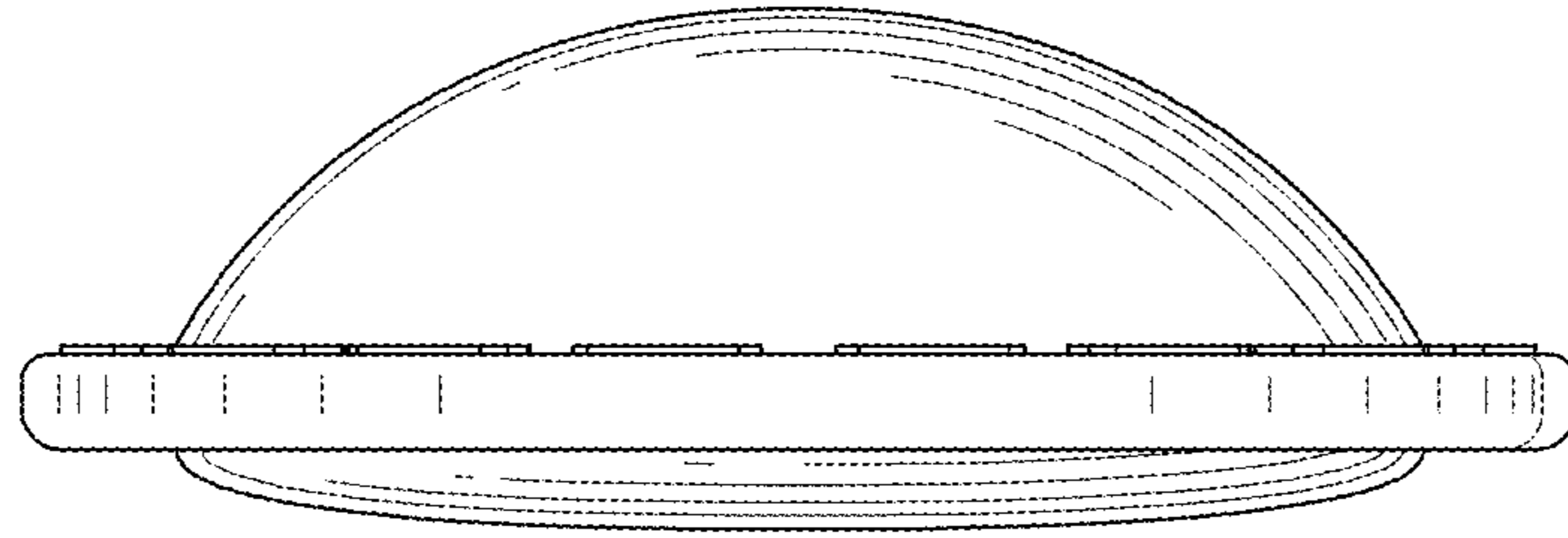


Fig. 6

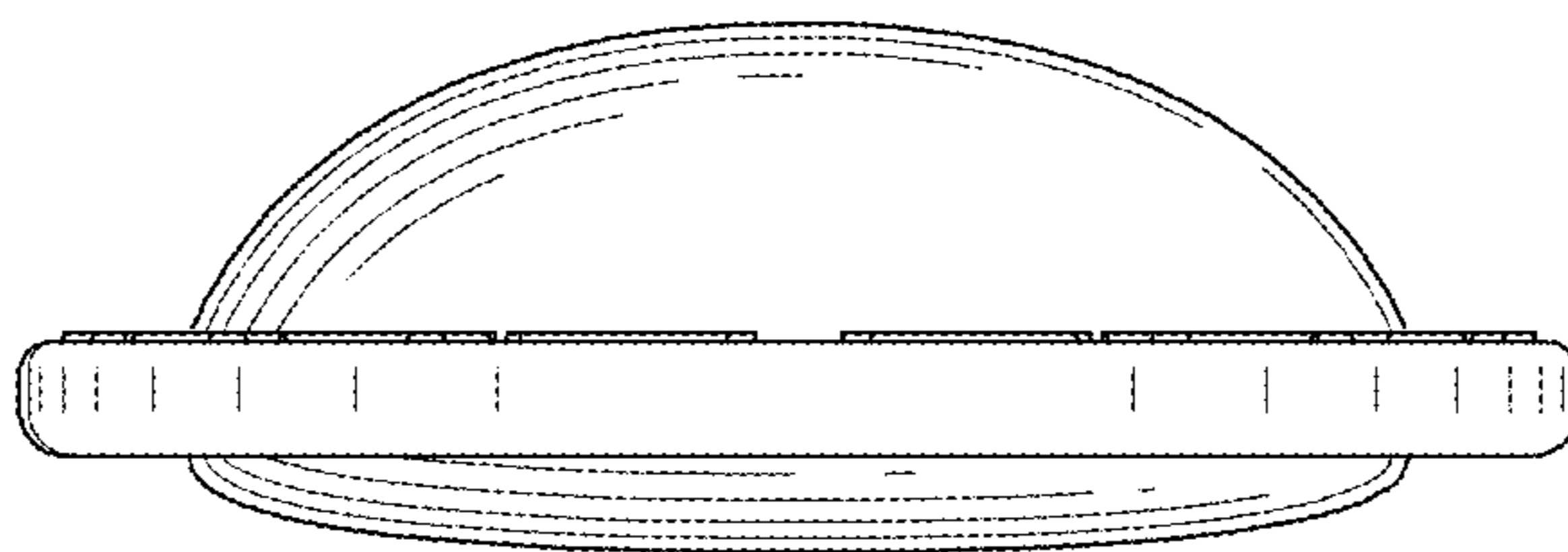


Fig. 7

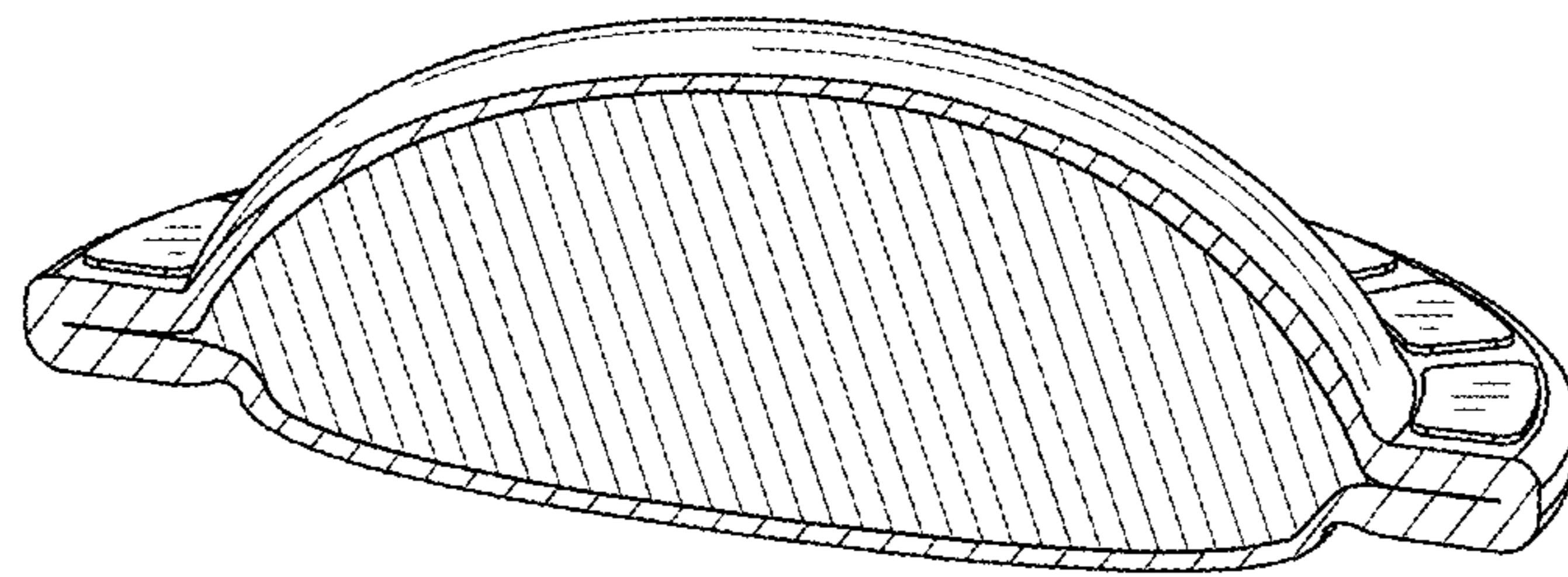


Fig. 8

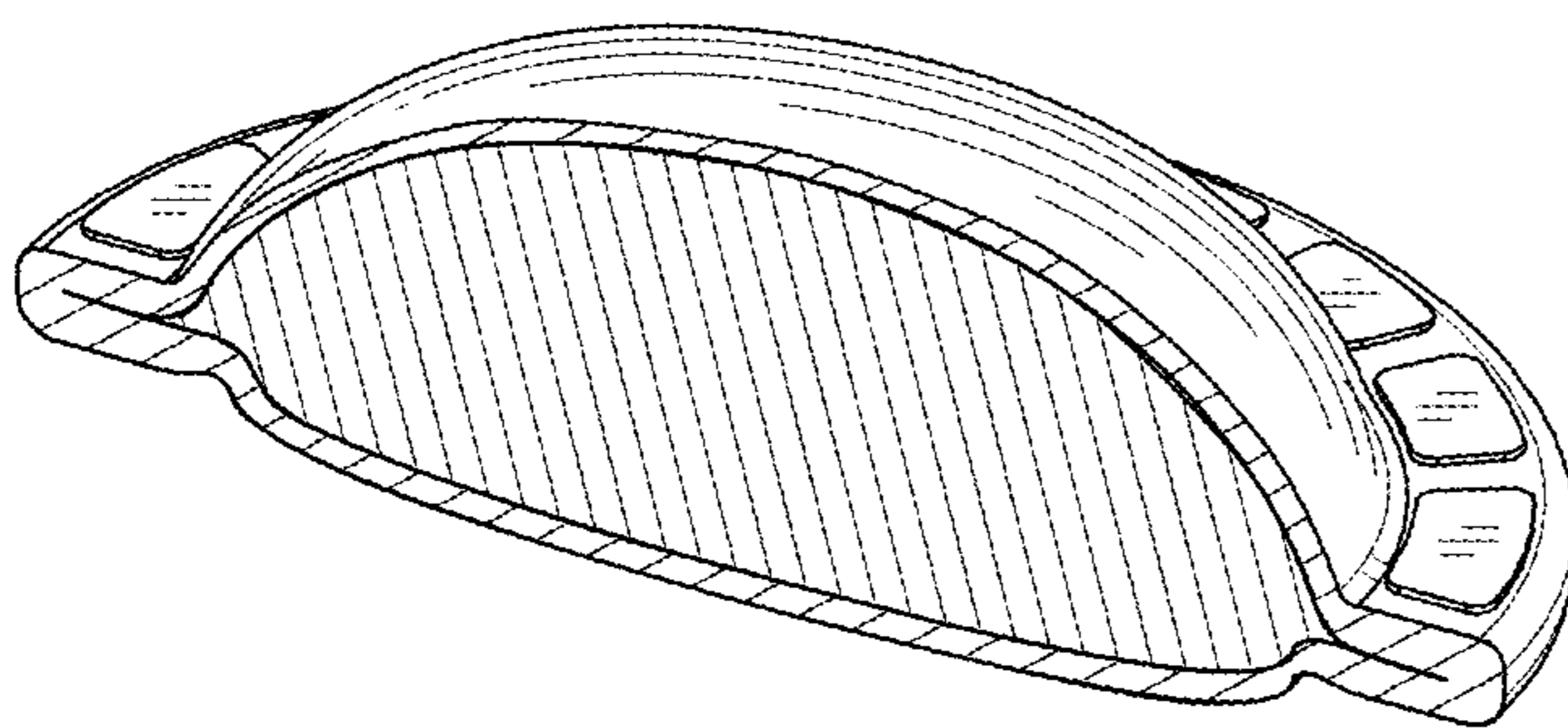


Fig. 9

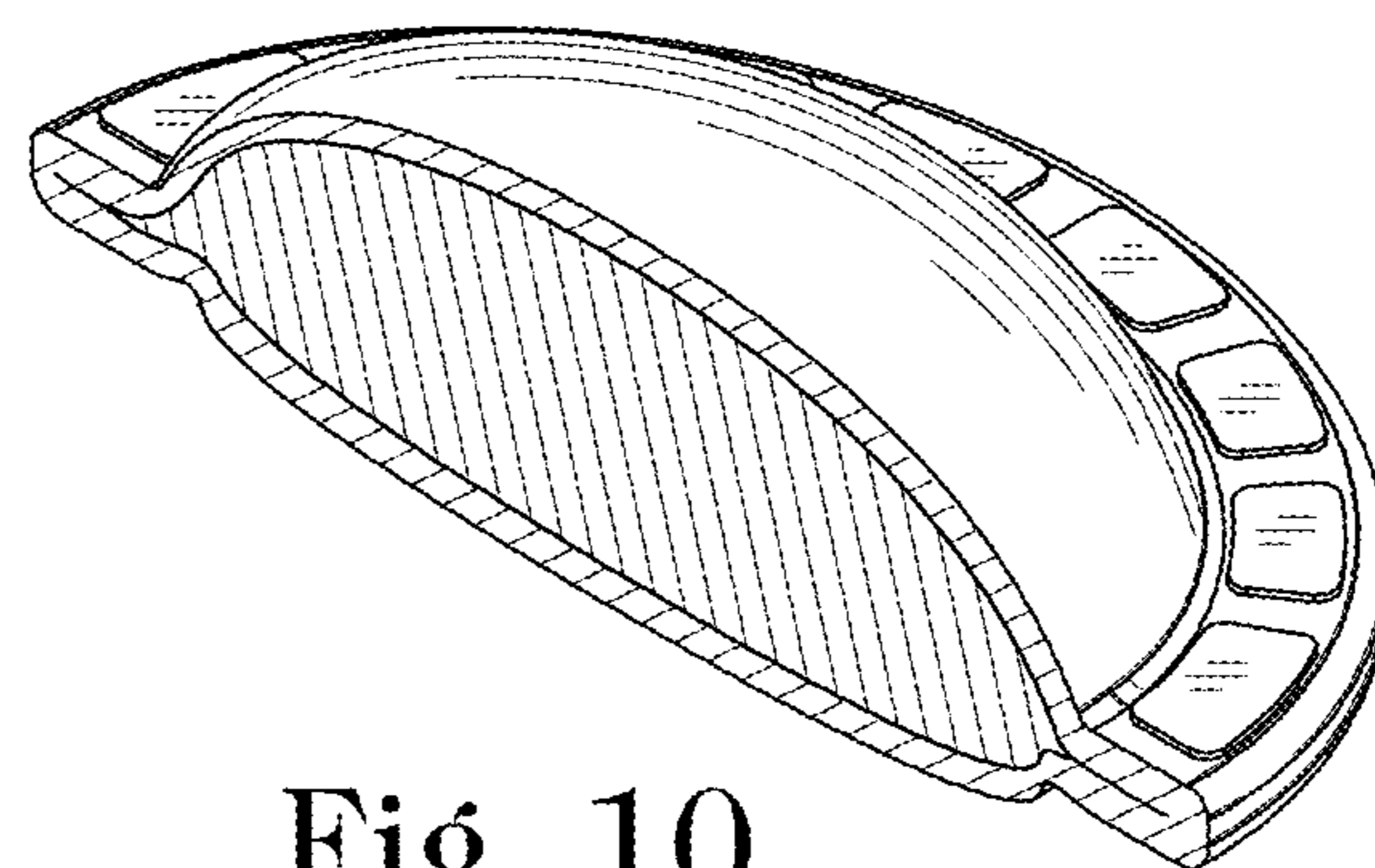


Fig. 10