



US00D827975S

(12) **United States Design Patent** (10) **Patent No.:** **US D827,975 S**
Bizys et al. (45) **Date of Patent:** **** Sep. 11, 2018**

(54) **CONFECTIONARY PIECE**

(56) **References Cited**

(71) Applicant: **WM. WRIGLEY JR. COMPANY**,
Chicago, IL (US)

(72) Inventors: **Egidijus Bizys**, Willowbrook, IL (US);
Holly A. Knutsen, Palos Park, IL (US);
John Stinson, Chicago, IL (US)

U.S. PATENT DOCUMENTS

D304,299 S *	10/1989	Sakamoto	D28/8.1
6,197,334 B1 *	3/2001	Renda	A61K 9/006 424/435
D459,570 S *	7/2002	Glass	D1/199
D483,150 S *	12/2003	Cummings	D28/8.1
D487,165 S *	2/2004	Hammond	D28/8.1
D500,849 S *	1/2005	Rinker	D24/101
D507,677 S *	7/2005	McLeish	D28/8.1
D559,440 S *	1/2008	Schwartz	D28/8.1
D652,165 S *	1/2012	Gordon	D28/8.1
8,367,130 B1 *	2/2013	Tsengas	A23K 40/00 119/711
D693,086 S *	11/2013	Rana	D1/126
D697,817 S *	1/2014	Giannelli	D9/696
D703,912 S *	4/2014	Irvine	A61G 17/08 D99/5

(73) Assignee: **WM. WRIGLEY JR. COMPANY**,
Chicago, IL (US)

(**) Term: **15 Years**

(21) Appl. No.: **29/614,370**

(22) Filed: **Aug. 18, 2017**

(51) **LOC (11) Cl.** **01-01**

(52) **U.S. Cl.**
USPC **D1/127**

(58) **Field of Classification Search**
USPC D1/100–130, 199; 426/94, 104, 138,
426/143, 144, 274, 283, 303, 391, 512,
426/514, 518, 549; D6/597, 601;
D7/675, 560, 566, 568, 672; D9/451,
D9/643, 707, 710, 715; D28/8.1, 8.2;
D21/385, 386, 707; D24/101–104
CPC . A21C 11/12; A22C 13/0013; A21D 13/0016;
A21D 13/0022; A21D 13/0025; A21D
13/0029; A21D 13/0074; A23G 3/343;
A23G 3/36; A23G 3/28; A23G 3/54;
A23G 4/20; A23G 9/48; A61K 9/2072;
A61K 9/2095; A23L 1/005; A23L 1/0052;
A23L 1/0067; A23L 1/16; A23L 1/1641;
A23L 1/217; A23V 2002/00

See application file for complete search history.

* cited by examiner

Primary Examiner — Katie Jane Stofko

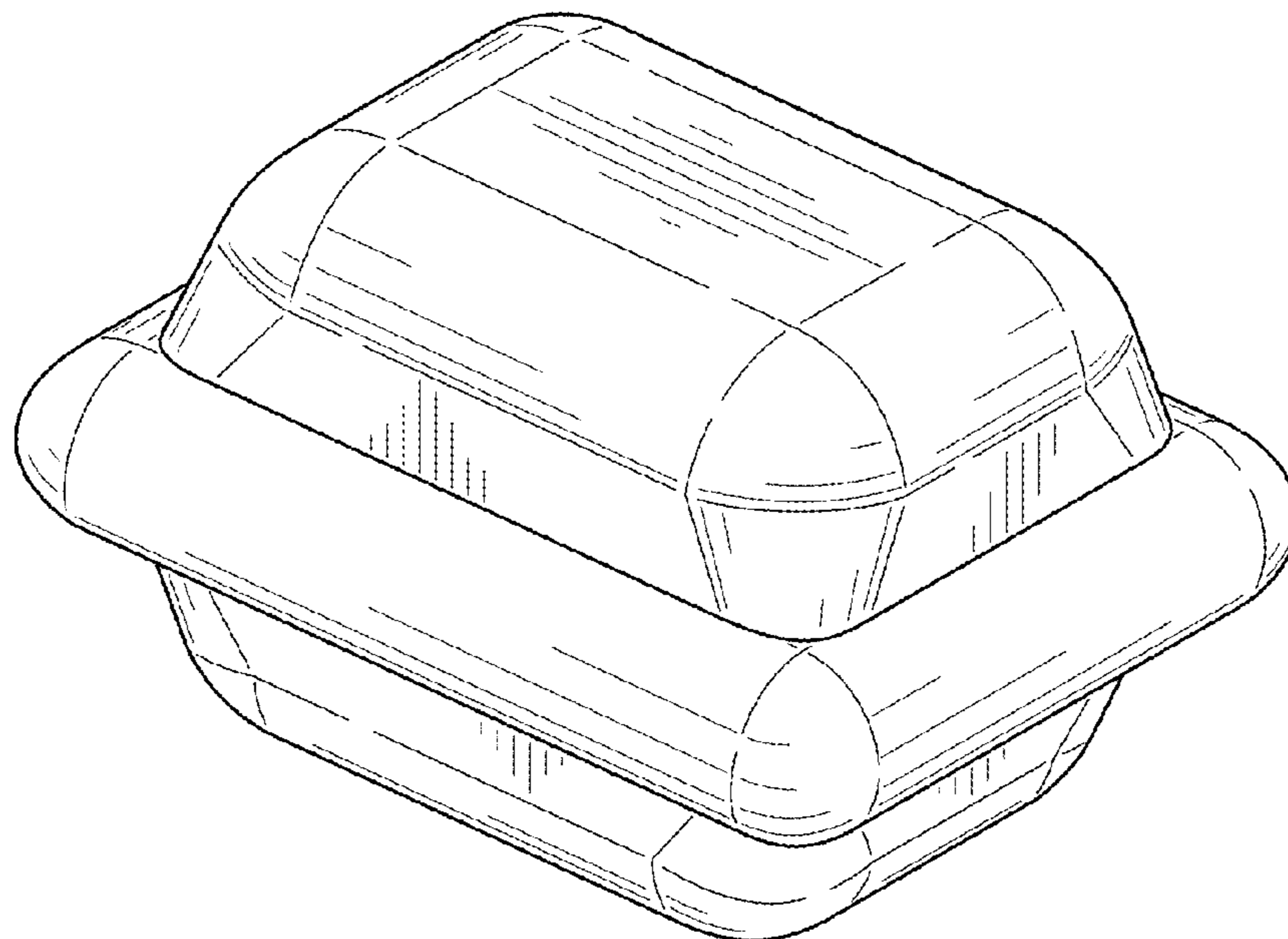
(57) **CLAIM**

We claim the ornamental design for a confectionary piece, as substantially shown and described.

DESCRIPTION

FIG. 1 is a perspective view of a confectionary piece of the present invention;
FIG. 2 is a front elevation view thereof;
FIG. 3 is a back elevation view thereof;
FIG. 4 is a right side elevation view thereof;
FIG. 5 is a left side elevation view thereof;
FIG. 6 is a top plan view thereof; and,
FIG. 7 is a bottom plan view thereof.

1 Claim, 3 Drawing Sheets



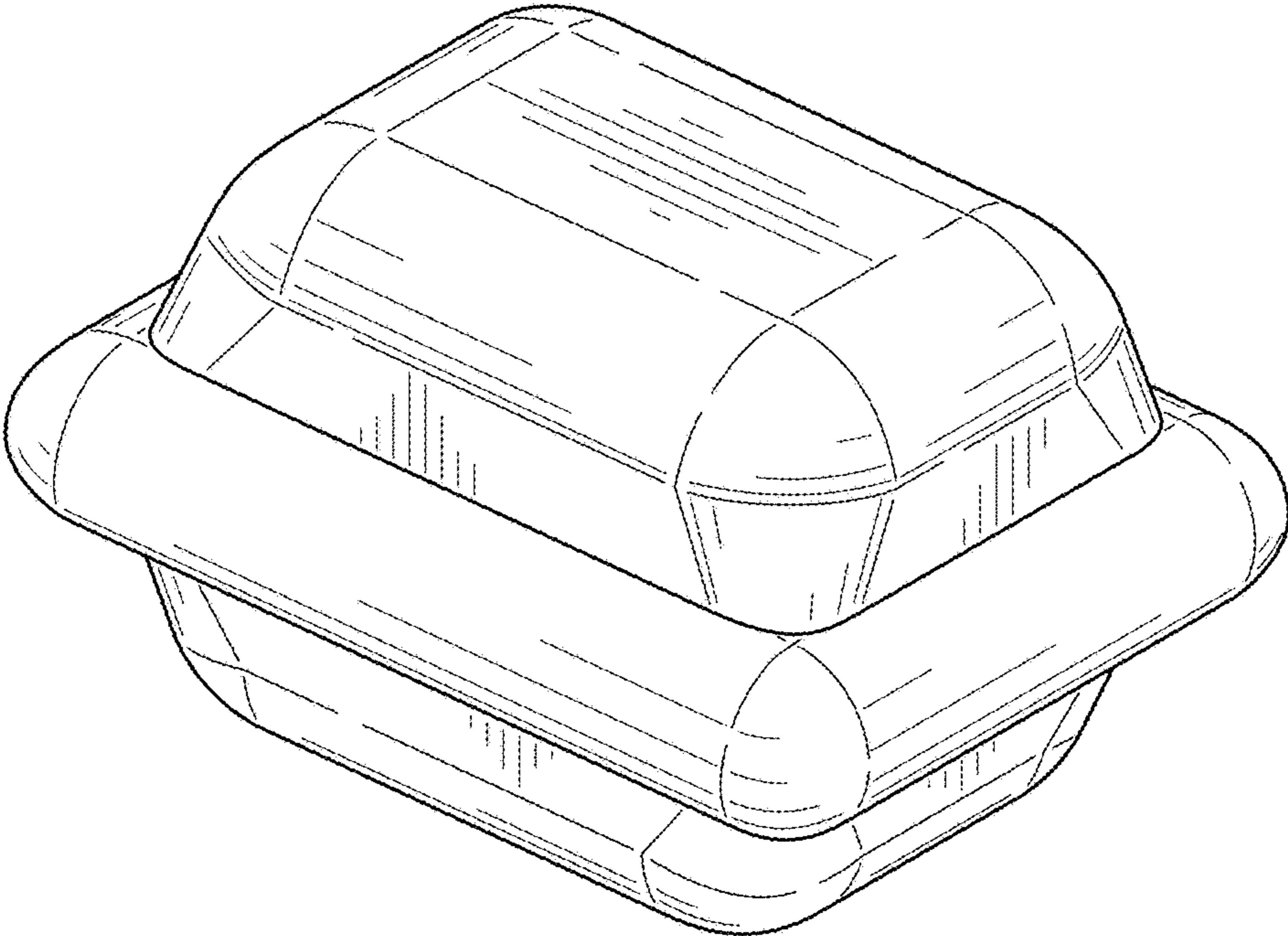


FIG. 1

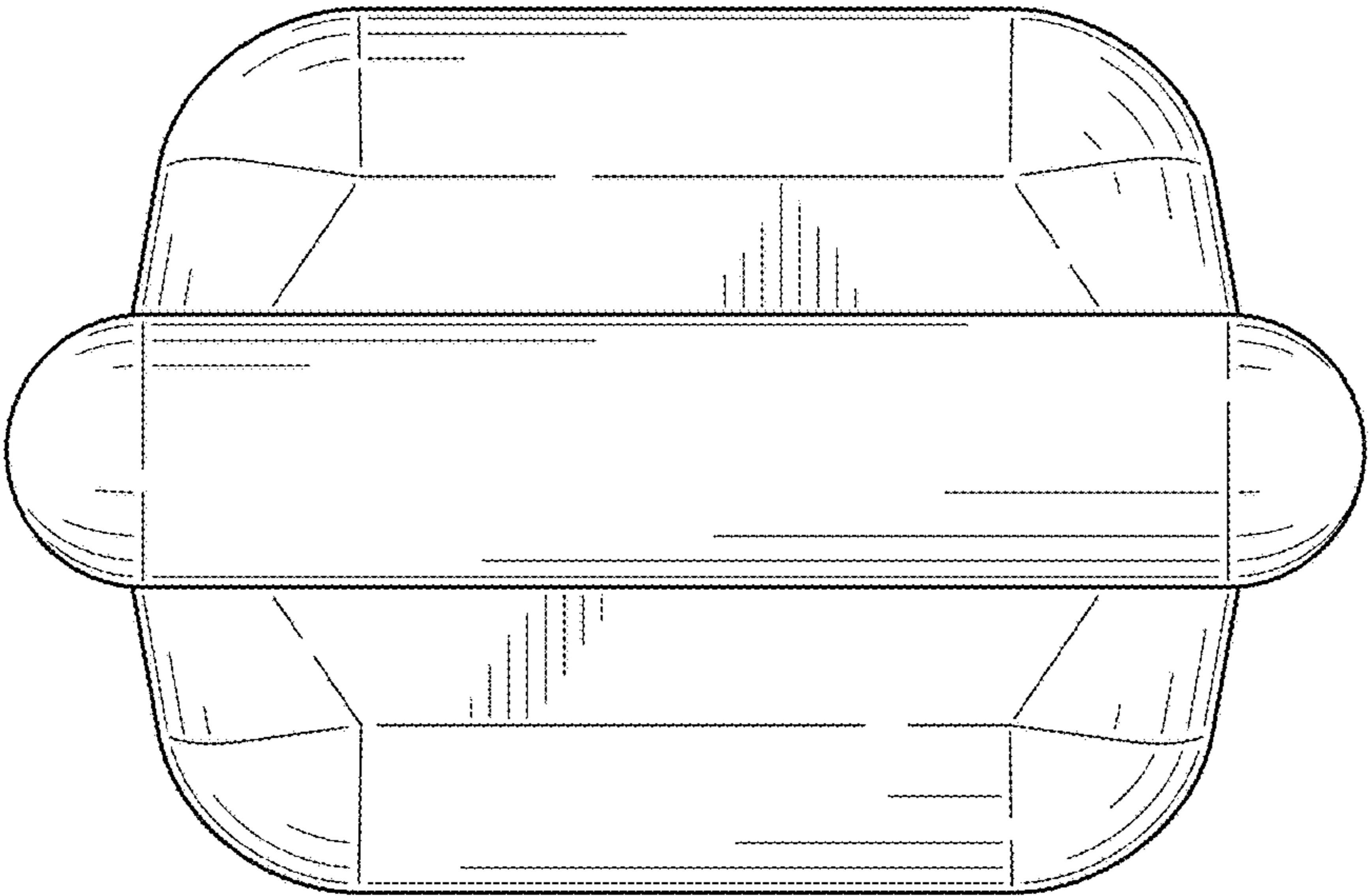


FIG. 2

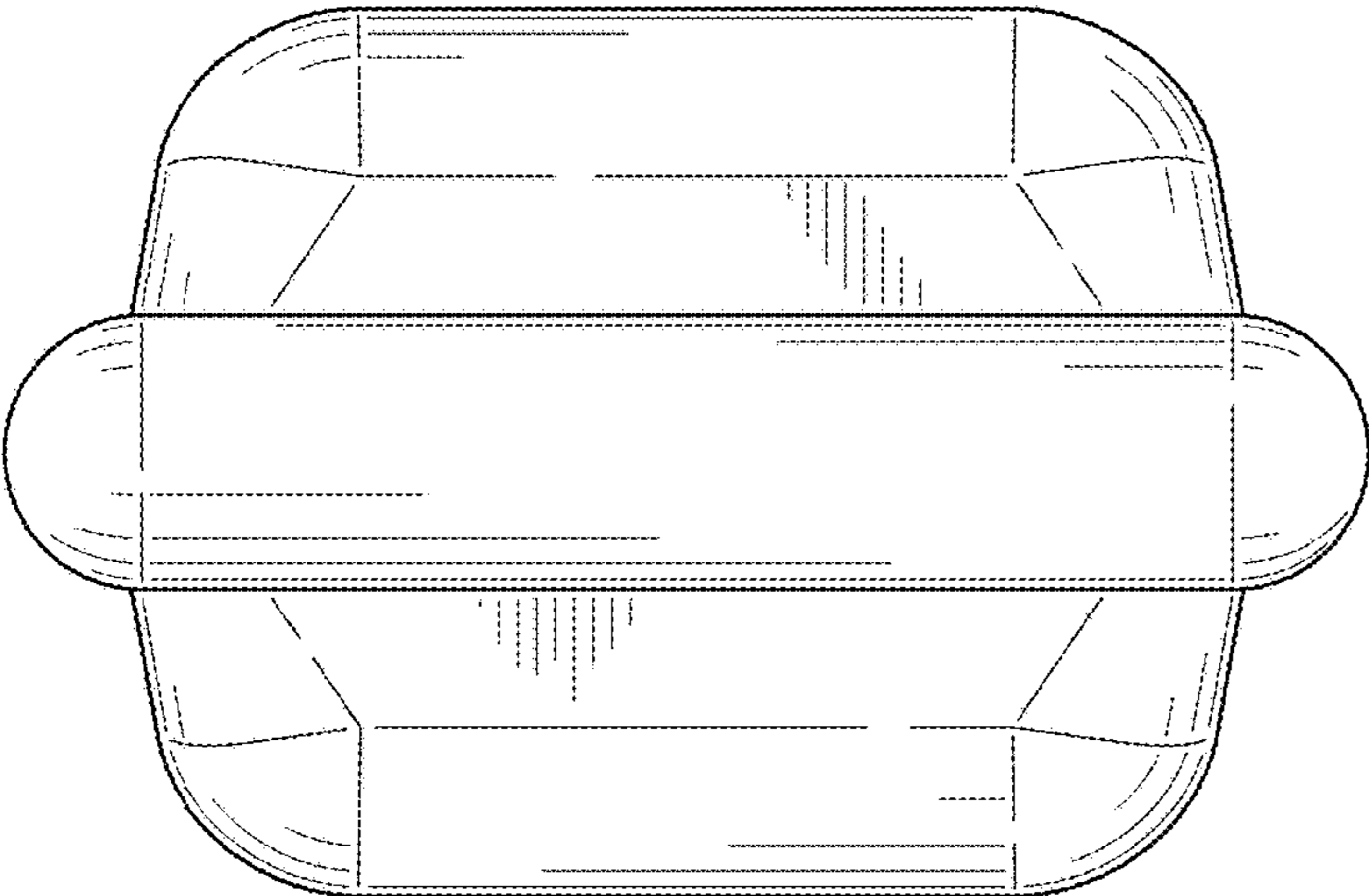


FIG. 3

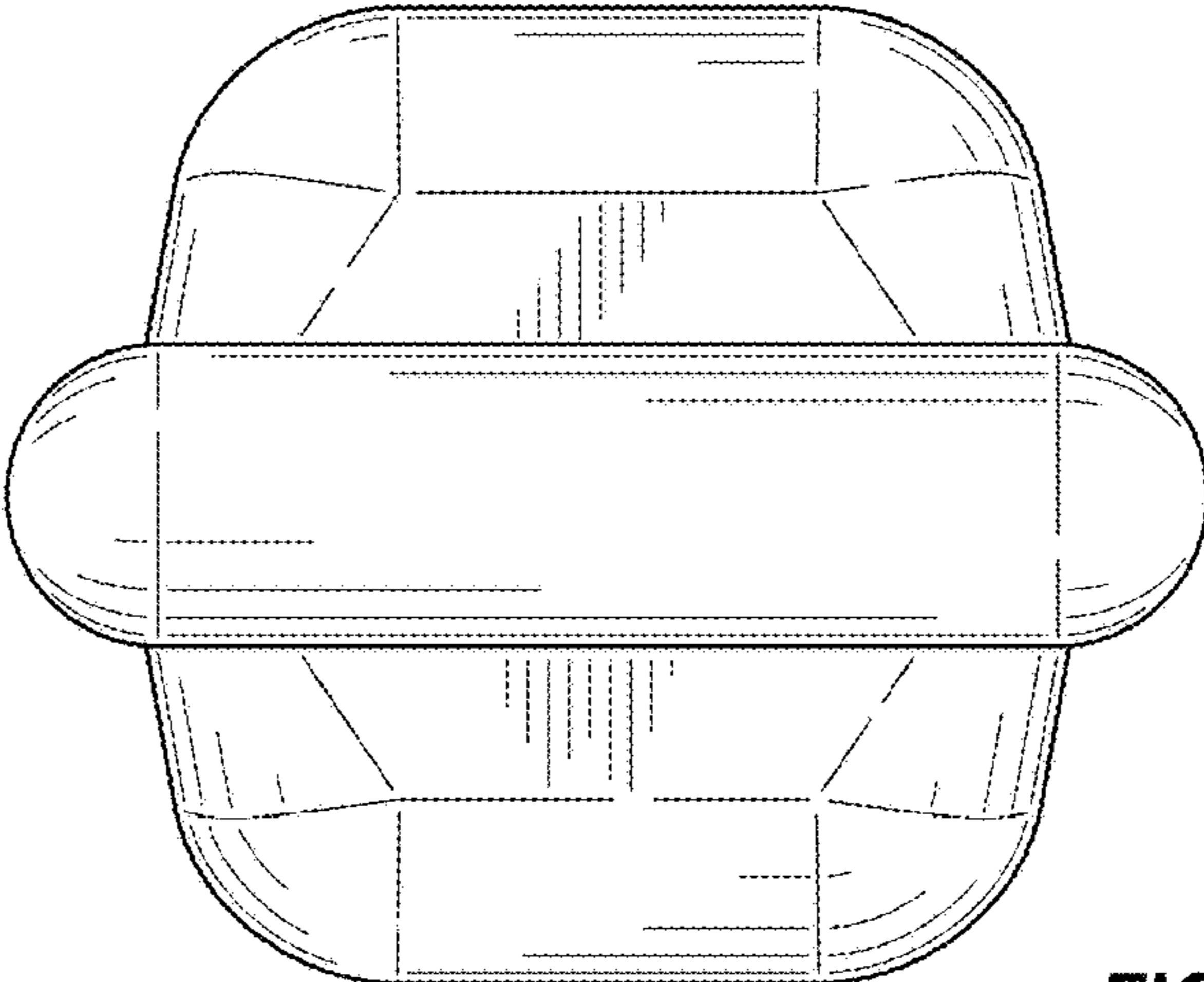


FIG. 4

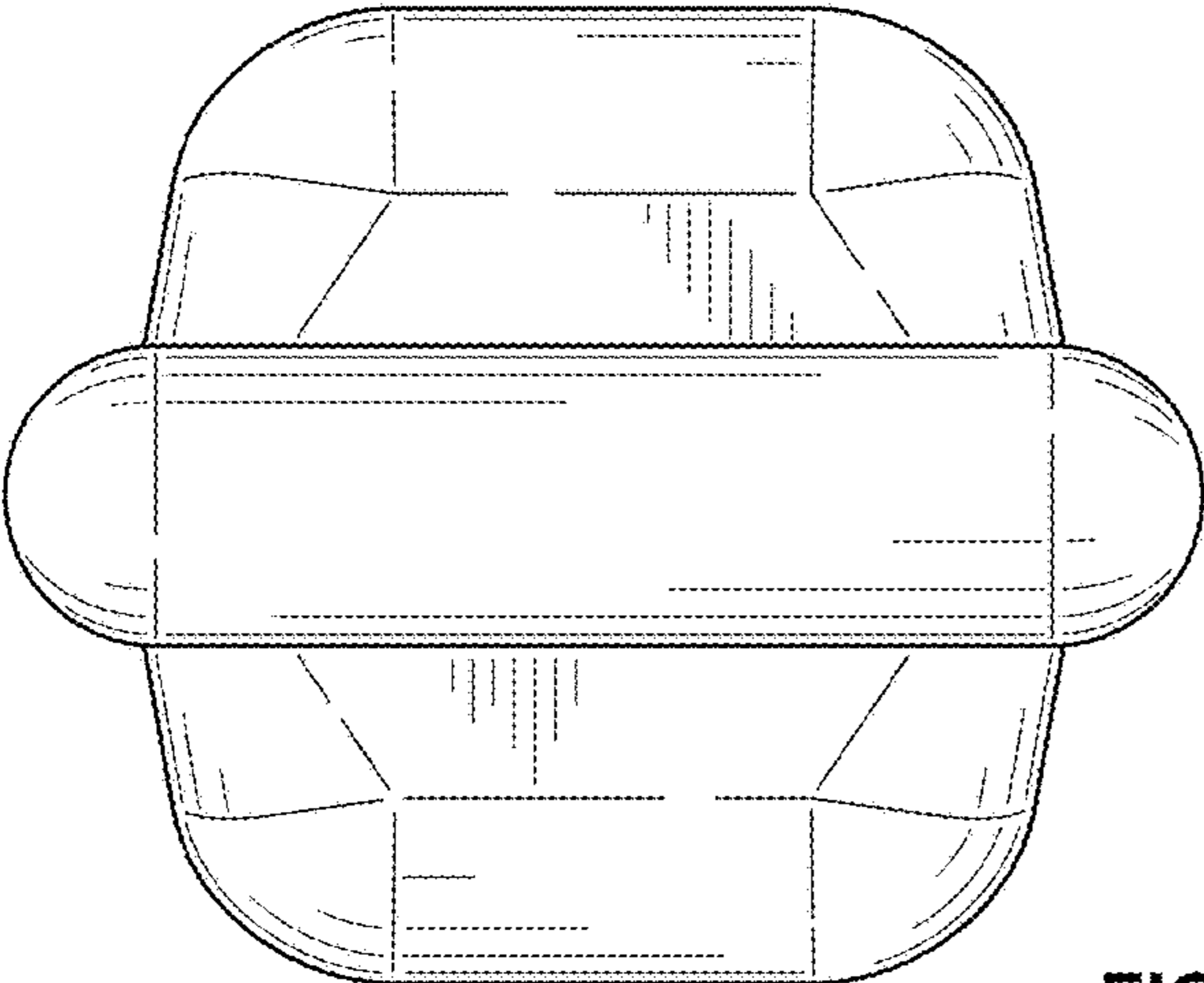


FIG. 5

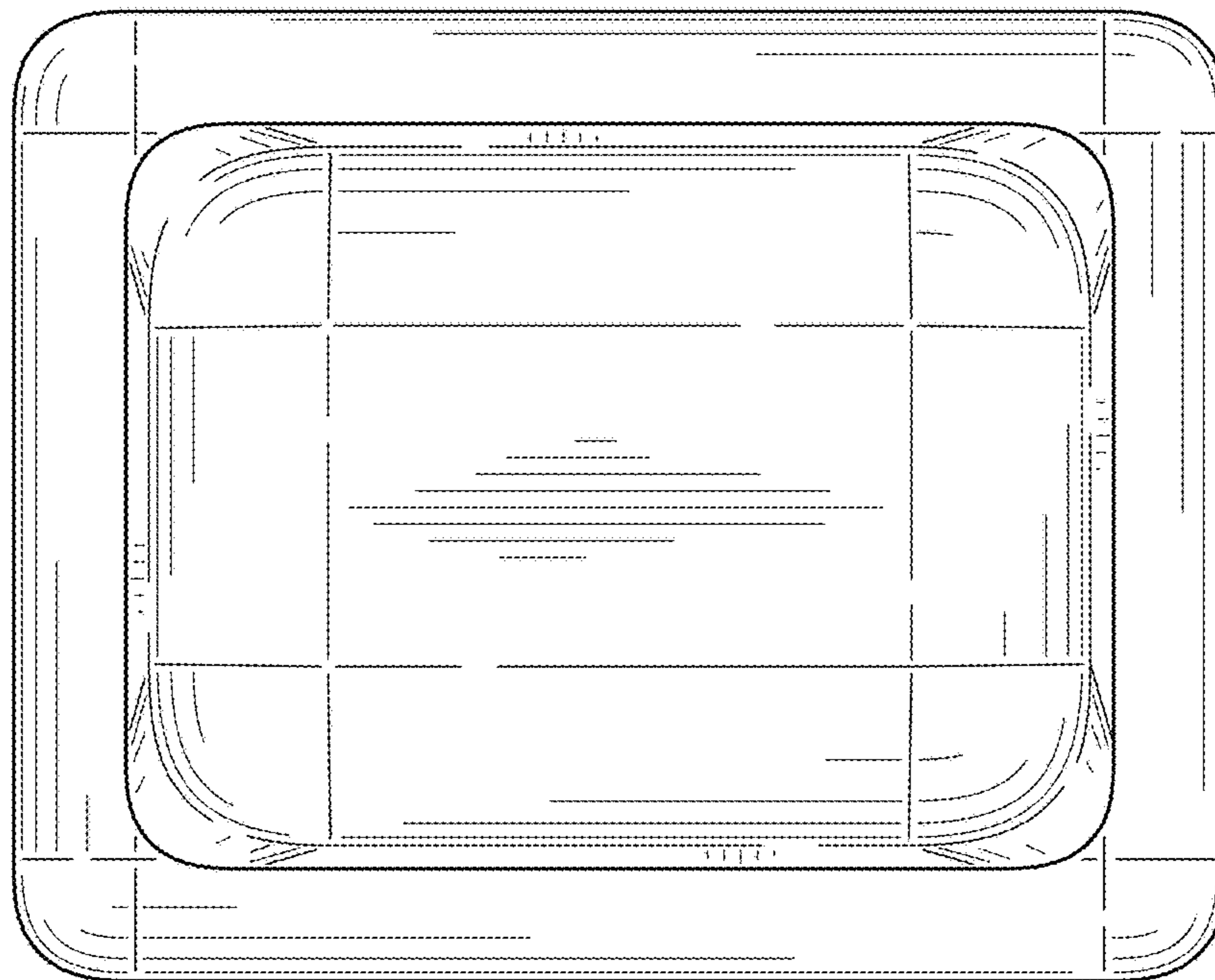


FIG. 6

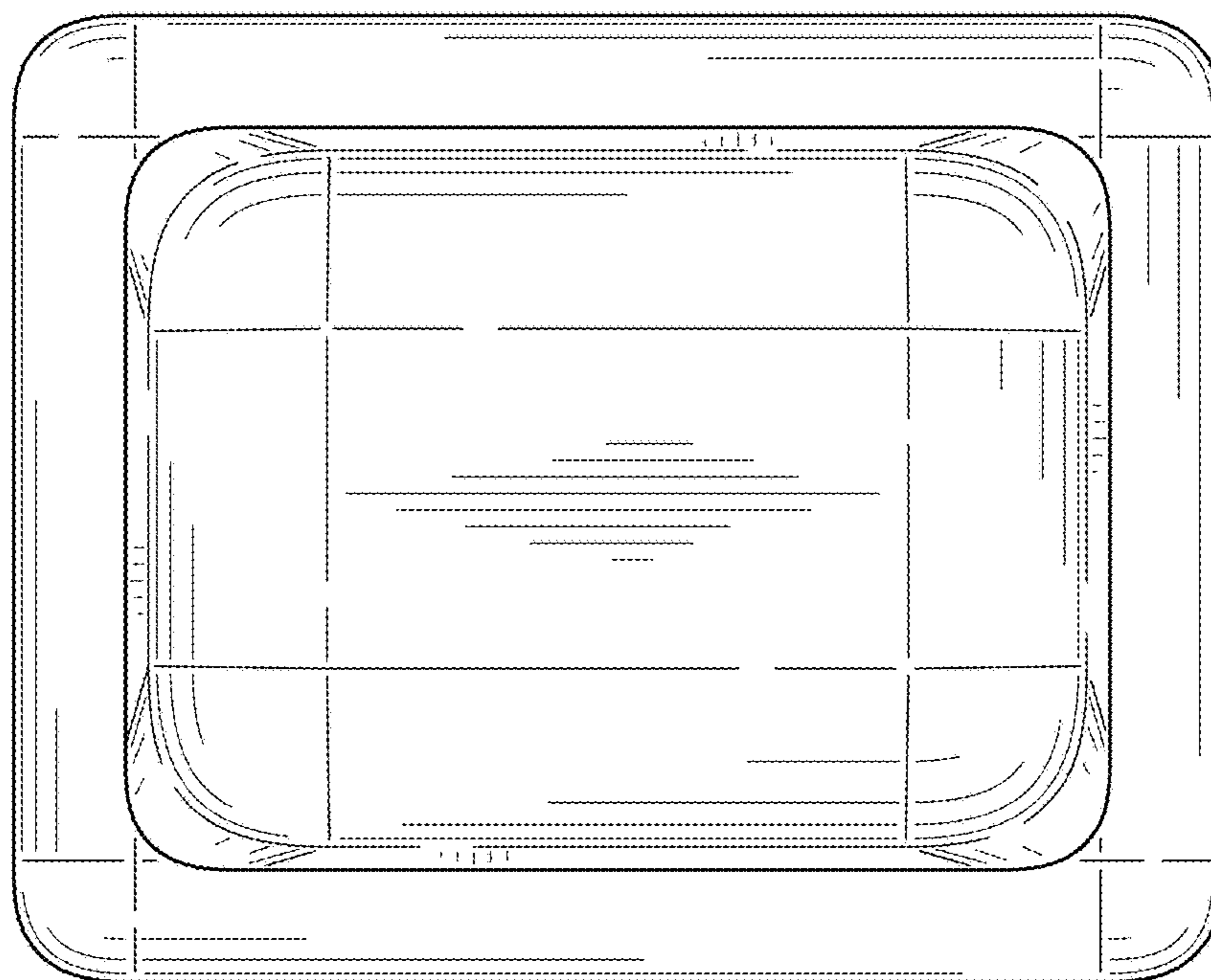


FIG. 7